



**THE DATASHEET OF  
BQ24203DGN**

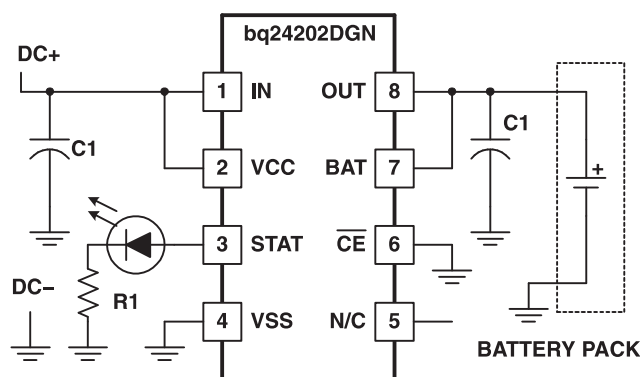


## SINGLE-CHIP LI-ION AND LI-POL CHARGE MANAGEMENT IC FOR CURRENT-LIMITED APPLICATIONS

### FEATURES

- Designed Specifically to Work With Current-Limited Wall Supplies
- Ideal for Low Dropout Charger Design for Single-Cell Li-Ion Packs With Coke or Graphite Anodes
- Integrated PowerFET for 500 mA
- Integrated Voltage Regulation With 0.5% Accuracy
- Battery Insertion and Removal Detection
- Charge Termination by Minimum Current and Time
- Pre-Charge Conditioning With Safety Timer
- Sleep Mode for Low-Power Consumption
- Charge Status Output for LED or Host Processor Interface Indicates
- Charge-in-Progress, Charge Completion, and Fault Conditions
- Optional Temperature Monitoring Before and During Charge
- Small, 8-Pin Power-Pad MSOP Package

### TYPICAL APPLICATION



### DESCRIPTION

The bq2420x series are simple Li-Ion linear charge management devices targeted at low-cost and space limited charger applications. The bq2420x series offer integrated powerFET, high-accuracy voltage regulation, temperature monitoring, charge status, and charge termination, in a single monolithic device.

The bq2420x is designed to work with a current-limited wall-mount transformer and therefore does not provide any current regulation. However, these devices offer a fixed internal current limit to prevent damage to the internal powerFET. A time-limited pre-conditioning phase is provided to condition deeply discharged cells. Once the battery reaches the charge voltage, the high accuracy voltage regulation loop takes over and completes the charge cycle. Charge is terminated based on minimum current. An internal charge timer provides a backup safety for charge termination.

Other standard features include an automatic sleep mode activated when  $V_{CC}$  falls below the battery voltage and a recharge feature activated when the battery voltage falls below the  $V_{RCH}$  threshold.

In addition to the standard features, the core product provides two additional enhancements: temperature monitoring and status display. The temperature-sense circuit continuously measures battery temperature using an external thermistor and inhibits charge until the battery temperature is within the user-defined thresholds. The STAT pin indicates three conditions of operation of the charger. These conditions are *charge-in-progress*, *charge complete*, and *fault*. This output can be used to drive an LED or an interface to a microcontroller.



Please be aware that an important notice concerning availability, standard warranty, and use in critical applications of Texas Instruments semiconductor products and disclaimers thereto appears at the end of this data sheet.



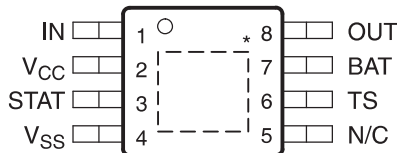
These devices have limited built-in ESD protection. The leads should be shorted together or the device placed in conductive foam during storage or handling to prevent electrostatic damage to the MOS gates.

### AVAILABLE OPTIONS

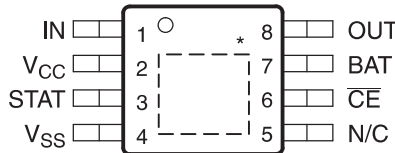
T <sub>J</sub>	CHARGE REGULATION VOLTAGE	OPTIONAL FUNCTIONS	MARKING	PACKAGED DEVICES (DGN) <sup>(1)</sup>
–40°C to 125°C	4.2 V	STAT and TS	AZC	bq24200DGN
	4.1 V	STAT and TS	AZD	bq24201DGN
	4.2 V	STAT	AZE	bq24202DGN
	4.1 V	STAT	AZF	bq24203DGN
	4.2 V	–	AZG	bq24204DGN
	4.1 V	–	AZI	bq24205DGN

(1) The DGN package is available taped and reeled. Add TR suffix to device type (e.g. bq24200DGNTR) to order. Quantities 2500 devices per reel.

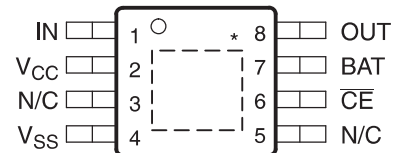
**bq24200, bq24201**  
**HTSSOP (DGN) PACKAGE**  
(TOP VIEW)



**bq24202, bq24203**  
**HTSSOP (DGN) PACKAGE**  
(TOP VIEW)



**bq24204, bq24205**  
**HTSSOP (DGN) PACKAGE**  
(TOP VIEW)



### TERMINAL FUNCTIONS

NAME	TERMINAL NO.			I/O	DESCRIPTION
	bq24200 bq24201	bq24202 bq24203	bq24204 bq24205		
BAT	7	7	7	I	Battery voltage sense input
CE	–	6	6	I	Charge enable input (active low)
IN	1	1	1	I	Charge input voltage
N/C	5	5	3, 5	–	No connection. Must be left floating
OUT	8	8	8	O	Charge current output
STAT	3	3	–	O	Charge status output
TS	6	–	–	I	Temperature sense input
V <sub>CC</sub>	2	2	2	I	V <sub>CC</sub> input
V <sub>SS</sub>	4	4	4	–	Ground input

## ABSOLUTE MAXIMUM RATINGS<sup>(1)</sup>

over operating free-air temperature range (unless otherwise noted)

	VALUE	UNIT
Supply voltage (V <sub>CC</sub> with respect to GND)	16.5	V
Input voltage, IN, STAT, TS (all with respect to GND)	16.5	V
Input voltage, BAT, OUT (all with respect to GND)	7	V
Output sink/source current (STAT)	15	mA
T <sub>stg</sub> Storage temperature range	-65 to 150	°C
T <sub>J</sub> Junction temperature range	-40 to 125	°C
Lead temperature (soldering, 10 sec)	300	°C

- (1) Stresses beyond those listed under *absolute maximum ratings* may cause permanent damage to the device. These are stress ratings only, and functional operation of the device at these or any other conditions beyond those indicated under *recommended operating conditions* is not implied. Exposure to absolute maximum rated conditions for extended periods may affect device reliability.

## DISSIPATION RATINGS

PACKAGE	THERMAL IMPEDANCE JUNCTION-TO-AMBIENT (θ <sub>JA</sub> )	THERMAL IMPEDANCE JUNCTION-TO-CASE (θ <sub>JC</sub> )	T <sub>A</sub> ≤ 25°C POWER RATING	DERATING FACTOR ABOVE T <sub>A</sub> = 25°C
8 Pin DGN <sup>(1)</sup>	57.20°C/W	4.4°C/W	1.75 W	0.017 W/°C

- (1) This data is based on using JEDEC High-K board and topside traces, top and bottom thermal pad (2 mm × 3 mm), internal 1 oz. power and ground planes, four thermal via underneath the die connecting to ground plane.

## RECOMMENDED OPERATING CONDITIONS

	MIN	MAX	UNIT
V <sub>CC</sub> Supply voltage	V <sub>(LOWV-MIN)</sub>	13.5	V
V <sub>IN</sub> Input voltage	V <sub>(LOWV-MIN)</sub>	13.5	
T <sub>J</sub> Operating junction temperature range	-40	125	°C

## ELECTRICAL CHARACTERISTICS

over 0°C ≤ T<sub>J</sub> ≤ 125°C and supply voltage range (unless otherwise noted)

PARAMETER	TEST CONDITIONS	MIN	TYP	MAX	UNIT
I <sub>CC(VCC)</sub> V <sub>CC</sub> Current	V <sub>CC</sub> > V <sub>CC(min)</sub>		1.7	2.5	mA
I <sub>CC(SLP)</sub> Sleep current	Sum of currents into OUT and BAT pins, V <sub>CC</sub> < V <sub>(SLP)</sub> , 0°C ≤ T <sub>J</sub> ≤ 85°C			5	μA
	Sum of currents into OUT and BAT pins, V <sub>CC</sub> < V <sub>(SLP)</sub>			10	μA
I <sub>CC(STDBY)</sub> Standby current	Sum of currents into V <sub>CC</sub> , IN and TS pins, (V <sub>CC</sub> - V <sub>I(TS)</sub> ) ≤ 300 mV			1	mA
I <sub>IB(BAT)</sub> Input bias current on BAT pin				1	μA
I <sub>IB(TB)</sub> Input bias current on TS pin	0.1 × V <sub>CC</sub> ≤ V <sub>I(TS)</sub> ≤ 0.8 × V <sub>CC</sub>			1	μA

## VOLTAGE REGULATION

V<sub>O(REG)</sub> + V<sub>(DO,MAX)</sub> ≤ V<sub>CC</sub>, I<sub>(TERM)</sub> < I<sub>O(OUT)</sub> ≤ 500 mA, over 0°C ≤ T<sub>J</sub> ≤ 125°C and supply voltage range (unless otherwise noted)

PARAMETER	TEST CONDITIONS	MIN	TYP	MAX	UNIT
V <sub>O(REG)</sub> Output voltage	V <sub>O(REG)</sub> + V <sub>(DO-MAX)</sub> ≤ 10 V, I <sub>(TERM)</sub> < I <sub>O(OUT)</sub> ≤ 250 mA	4.0795	4.10	4.1205	V
		4.05	4.10	4.15	V
	V <sub>O(REG)</sub> + V <sub>(DO-MAX)</sub> ≤ 10 V, I <sub>(TERM)</sub> < I <sub>O(OUT)</sub> ≤ 250 mA	4.1790	4.20	4.2210	V
		4.15	4.20	4.25	V
V <sub>(DO)</sub> Dropout voltage (V <sub>(IN)</sub> - V <sub>(OUT)</sub> )	V <sub>O(REG)</sub> + V <sub>(DO-MAX)</sub> ≤ V <sub>CC</sub> , I <sub>O(OUT)</sub> = 500 mA	200	350	500	mV

## OUTPUT CURRENT

over  $0^{\circ}\text{C} \leq T_J \leq 125^{\circ}\text{C}$  and supply voltage range (unless otherwise noted)

PARAMETER		TEST CONDITIONS	MIN	TYP	MAX	UNIT
$I_{O(OUT)}$	Output current	See <sup>(1)</sup>			500	mA
$I_{(SC)}$	Short-circuit trip current	See <sup>(1)</sup>	1		1.6	A

(1) Assured by design, not production tested.

## PRE-CHARGE CURRENT REGULATION

over  $0^{\circ}\text{C} \leq T_J \leq 125^{\circ}\text{C}$  and supply voltage range (unless otherwise noted)

PARAMETER		TEST CONDITIONS	MIN	TYP	MAX	UNIT
$I_{(PRECHG)}$	Pre-charge current	$V_{I(BAT)} < V_{(LOWV)}$ , $t < t_{(30min)}$	10	13.5	19	mA
$I_{(DETECT)}$	Battery detection current	$V_{I(BAT)} < 2.5\text{ V}$ , $t < t_{(30min)}$	160	210	300	$\mu\text{A}$

## CHARGE TERMINATION DETECTION

over  $0^{\circ}\text{C} \leq T_J \leq 125^{\circ}\text{C}$  and supply voltage range (unless otherwise noted)

PARAMETER		TEST CONDITIONS	MIN	TYP	MAX	UNIT
$I_{(TAPER)}$	Taper current detect threshold	$V_{I(BAT)} > V_{(RCH)}$	21	25.5	31	mA
$I_{(TERM)}$	Charge termination current detect threshold	$V_{I(BAT)} > V_{(RCH)}$	0.8	1.1	1.4	mA

## TEMPERATURE COMPARATOR

over  $0^{\circ}\text{C} \leq T_J \leq 125^{\circ}\text{C}$  and supply voltage range (unless otherwise noted)

PARAMETER		TEST CONDITIONS	MIN	TYP	MAX	UNIT
$V_{(TS1)}$	Lower temperature threshold	TS pin voltage		30		%VCC
$V_{(TS2)}$	Upper temperature threshold	TS pin voltage		60		%VCC
	Accuracy		-0.7		0.7	%VCC
	Hysteresis			1		%VCC

## LOW VOLTAGE BATTERY THRESHOLD

over  $0^{\circ}\text{C} \leq T_J \leq 125^{\circ}\text{C}$  and supply voltage range (unless otherwise noted)

PARAMETER		TEST CONDITIONS	MIN	TYP	MAX	UNIT
$V_{(LOWV)}$	LowV threshold	$0^{\circ}\text{C} \leq T_J \leq 85^{\circ}\text{C}$	2.8	2.95	3.1	V
			2.8	3.0	3.2	V

## BATTERY RECHARGE THRESHOLD

over  $0^{\circ}\text{C} \leq T_J \leq 125^{\circ}\text{C}$  and supply voltage range (unless otherwise noted)

PARAMETER		TEST CONDITIONS	MIN	TYP	MAX	UNIT
Recharge threshold, $V_{RCH}$ (typically 100 mV below regulation)			$V_{O(REG)} - 0.115$	$V_{O(REG)} - 0.1$	$V_{O(REG)} - 0.085$	V

## STAT OUTPUT

$V_{CC} \geq V_{O(REG)}$ , over  $0^{\circ}\text{C} \leq T_J \leq 125^{\circ}\text{C}$  and supply voltage range (unless otherwise noted)

PARAMETER		TEST CONDITIONS	MIN	TYP	MAX	UNIT
$V_{OL(STAT)}$	Output (low) saturation voltage	$I_O = 10\text{ mA}$			0.5	V
$V_{OH(STAT)}$	Output (high) saturation voltage	$I_O = -5\text{ mA}$	$V_{CC} - 1.5$			V

## CE

over  $0^{\circ}\text{C} \leq T_J \leq 125^{\circ}\text{C}$  and supply voltage range (unless otherwise noted)

PARAMETER	TEST CONDITIONS	MIN	TYP	MAX	UNIT
$V_{IL(CE)}$ Input (low) voltage	$I_{IL} = 5 \mu\text{A}$	0		$V_{CC}-1$	V
$V_{IH(CE)}$ Input (high) voltage	$I_{IH} = 20 \mu\text{A}$	$V_{CC}-0.3$			V

## TIMERS

over  $0^{\circ}\text{C} \leq T_J \leq 125^{\circ}\text{C}$  and supply voltage range (unless otherwise noted)

PARAMETER	TEST CONDITIONS	MIN	TYP	MAX	UNIT
$t_{(PRECHG)}$ Pre-charge and taper timer		1,548	2,065	2,581	sec
$t_{(TAPER)}$ Taper timer		1,548	2,065	2,581	sec
$t_{(CHG)}$ Charge timer		9,292	12,389	15,486	sec

## SLEEP COMPARATOR

over  $0^{\circ}\text{C} \leq T_J \leq 125^{\circ}\text{C}$  and supply voltage range (unless otherwise noted)

PARAMETER	TEST CONDITIONS	MIN	TYP	MAX	UNIT
$V_{(SLP)}$ Sleep-mode threshold	$2.3 \text{ V} \leq V_{I(BAT)} \leq V_{O(REG)}$	$V_{(BAT)} - 10\text{mV}$			V

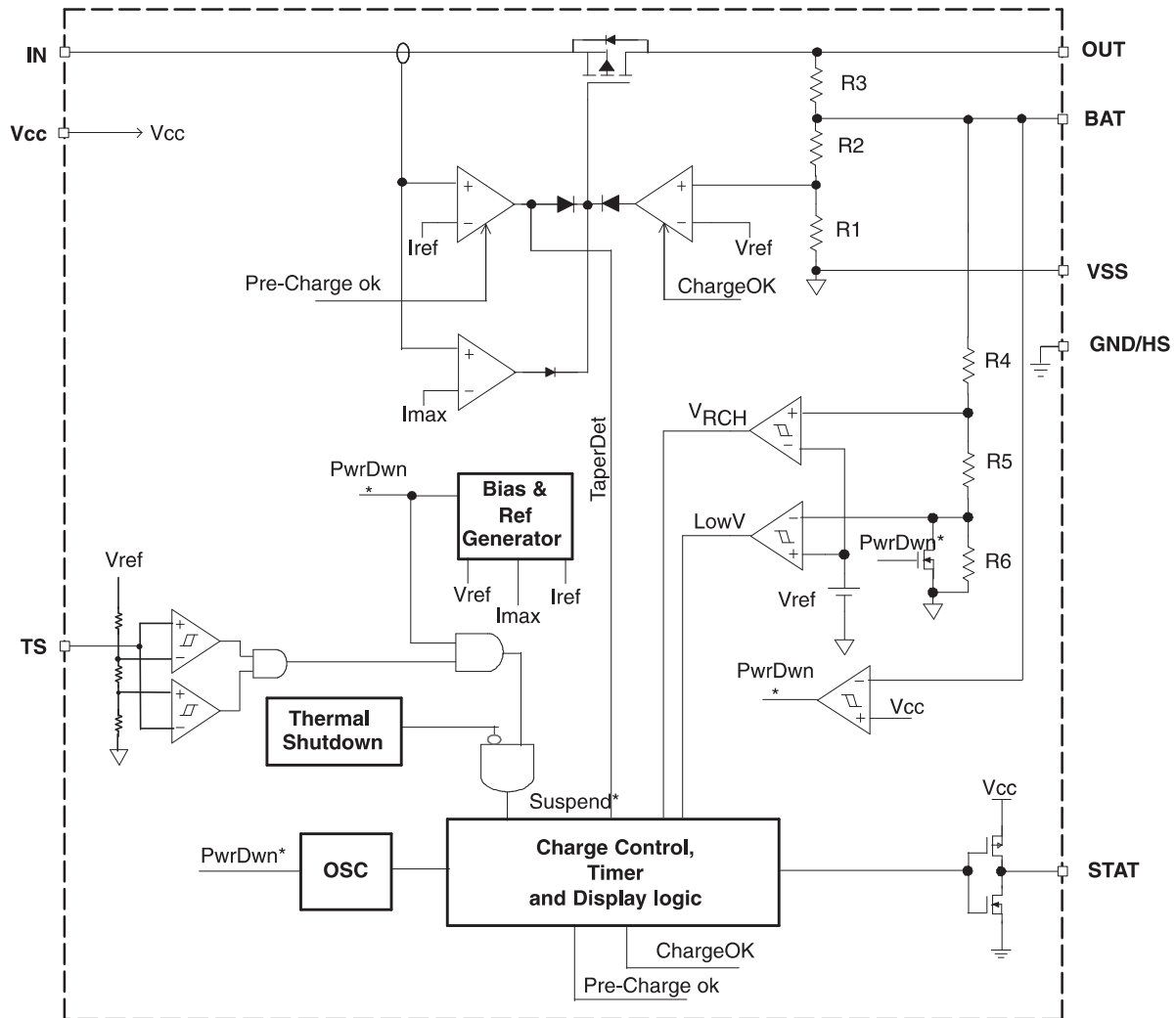
## POWER-ON-RESET AND $V_{IN}$ RAMP RATE

over  $0^{\circ}\text{C} \leq T_J \leq 125^{\circ}\text{C}$  and supply voltage range (unless otherwise noted)

PARAMETER	TEST CONDITIONS	MIN	TYP	MAX	UNIT
$V_{POR}$ POR threshold	See <sup>(1)</sup>	2.3	2.4	2.5	V
Slew rate	See <sup>(1)</sup>	5		$5 \times 10^{-5}$	$\text{V}/\mu\text{s}$

(1) Ensured by design, not production tested.

## FUNCTIONAL BLOCK DIAGRAM



## DETAILED DESCRIPTION

**IN:** This pin is connected to the source of the internal P-channel powerFET.

**OUT:** This pin is connected to the drain of the internal P-channel powerFET.

**Battery voltage sense (BAT):** Voltage sense-input tied directly to the positive side of the battery.

**Temperature sense input (TS):** Input for an external battery-temperature monitoring circuit.

**Charge status output (STAT):** High-impedance indication of various charge conditions.

**Supply voltage input (VCC):** Power supply input

## TYPICAL CHARACTERISTICS

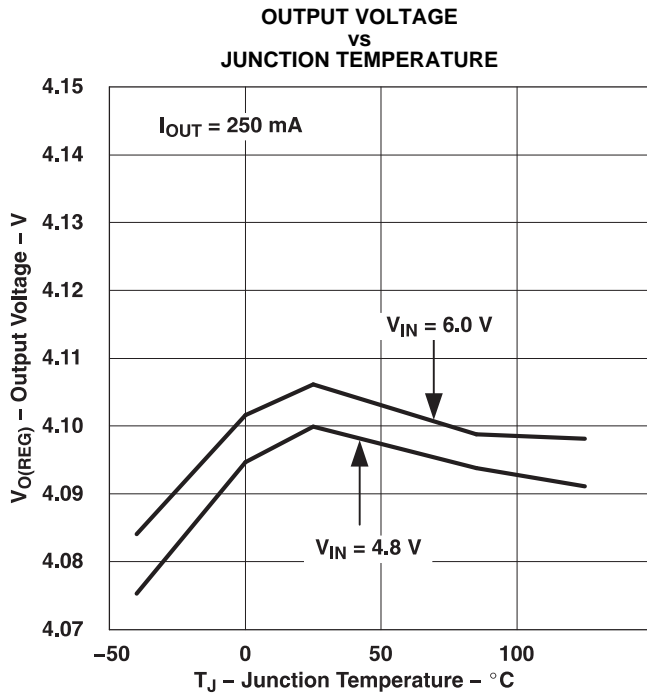


Figure 1.

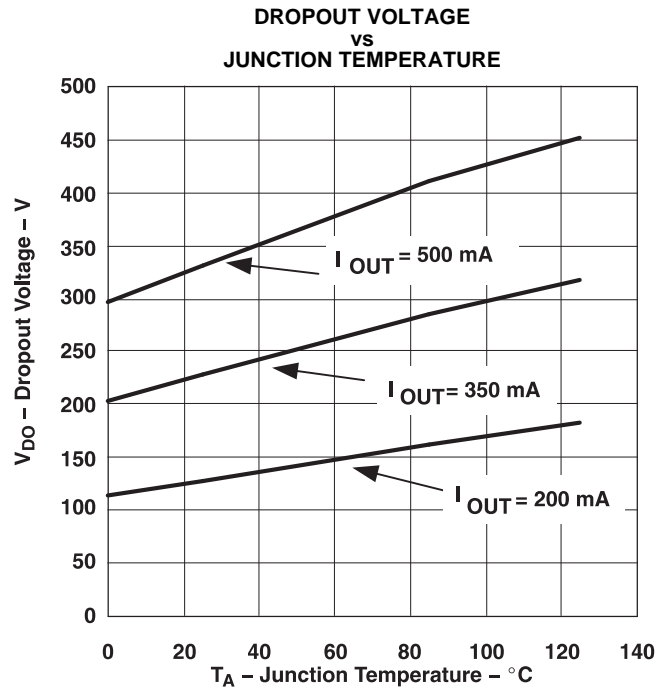


Figure 2.

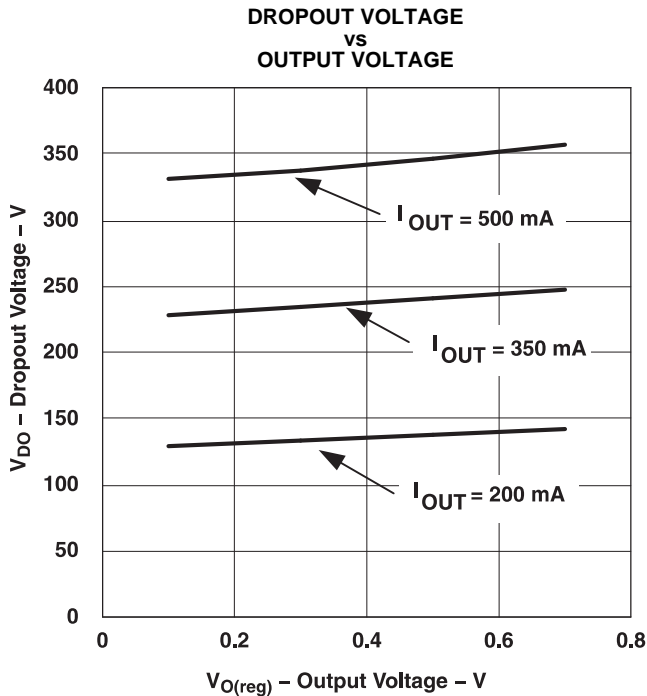


Figure 3.

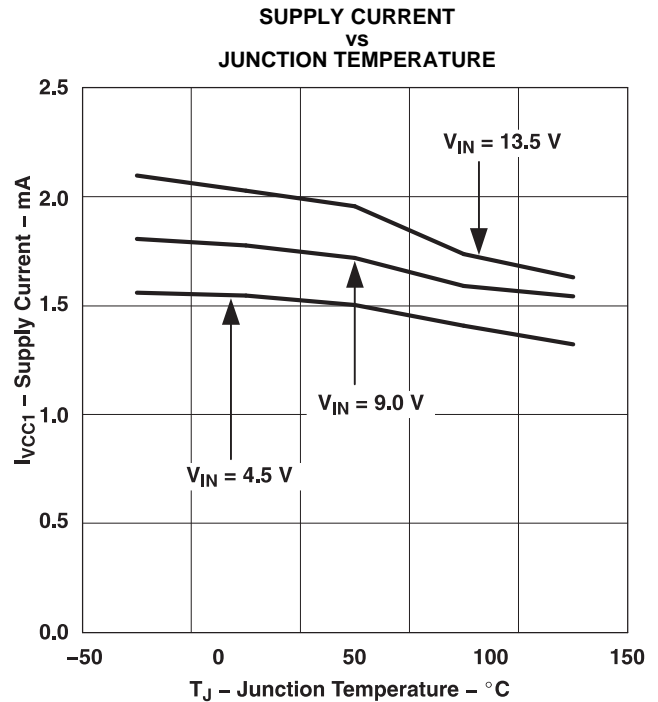


Figure 4.

## APPLICATION INFORMATION

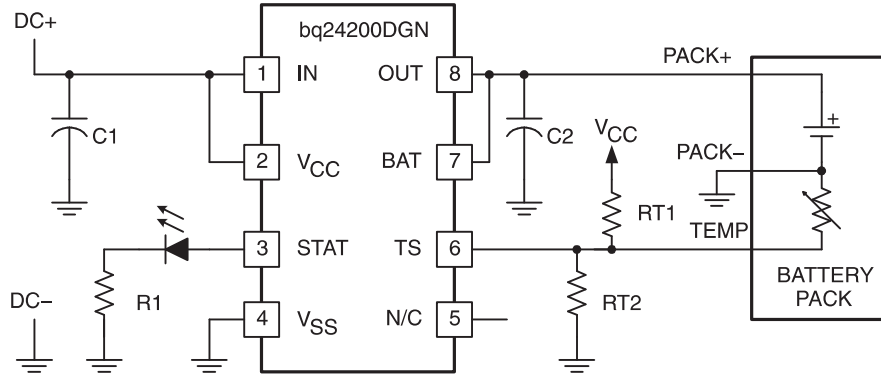


Figure 5. Low Dropout Single-Cell Li-Ion/Li-Pol Charger

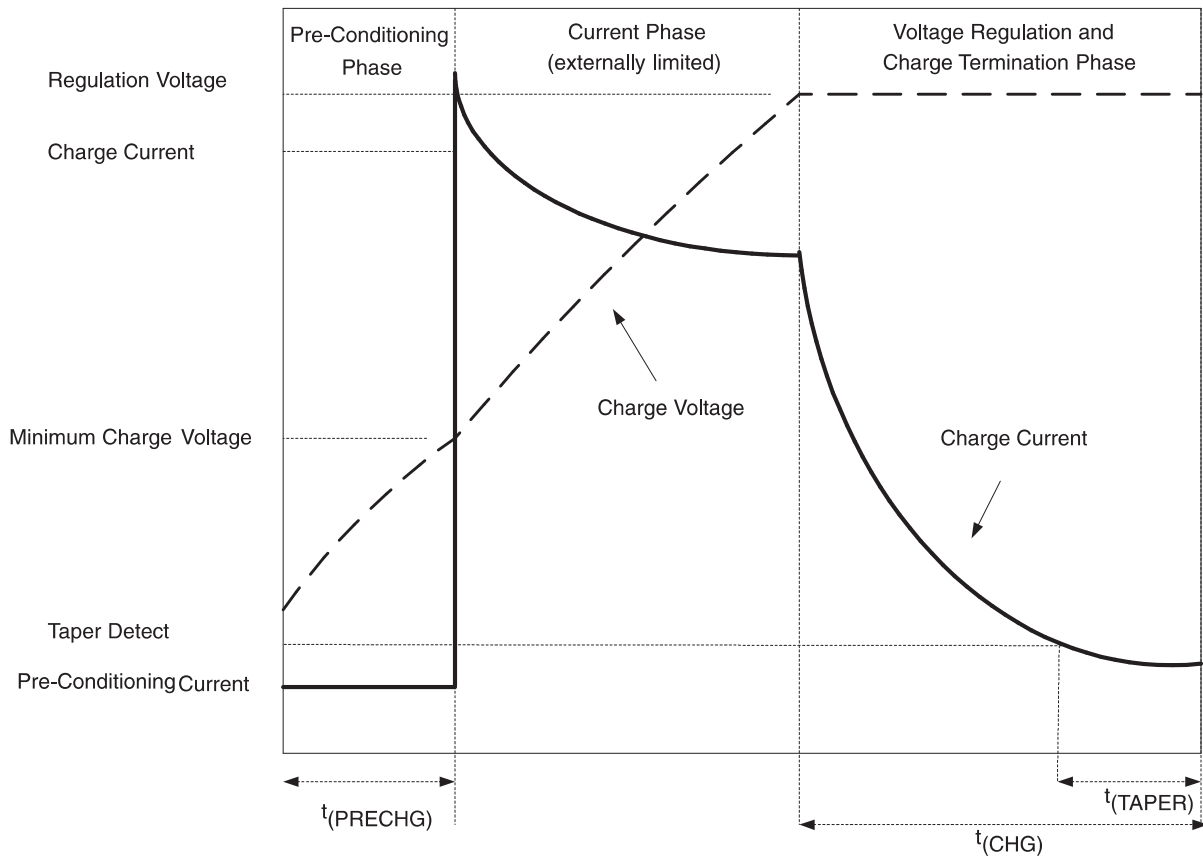
## FUNCTIONAL DESCRIPTION

The bq2420x supports a precision Li-Ion or Li-Pol charging system suitable for single-cells with either coke or graphite anodes. Figure 5 shows an application schematic and Figure 6 shows the typical charge profile.

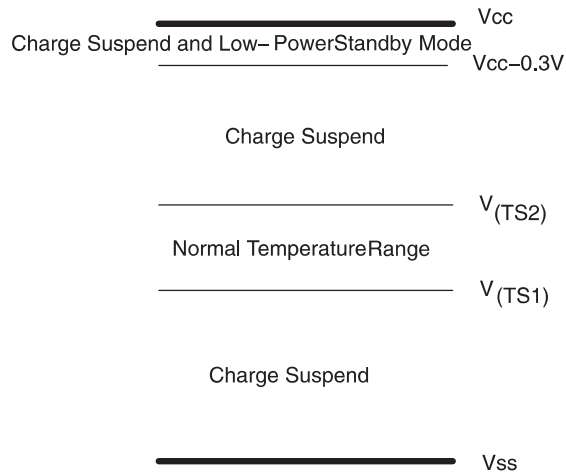
## TEMPERATURE QUALIFICATION (bq24200 and bq24202 only)

The bq24200 and bq24201 continuously monitors battery temperature by measuring the voltage between the TS and VSS pins. A negative- or a positive-temperature coefficient thermistor (NTC, PTC) and an external voltage divider typically develop this voltage (see Figure 5). The bq24200 and bq24201 compare this voltage against the internal  $V_{(TS1)}$  and  $V_{(TS2)}$  thresholds to determine if charging is allowed (see Figure 7). The temperature sensing circuit is immune to any fluctuation in  $V_{CC}$  since both the external voltage divider and the internal thresholds are referenced to  $V_{CC}$ .

Once a temperature outside the  $V_{(TS1)}$  and  $V_{(TS2)}$  thresholds is detected the bq24200 and bq24201 immediately suspend the charge. The bq24200 and bq24201 suspend the charge by turning off the power FET and holding the timer value (i.e., timers are NOT reset). Charge is resumed when the temperature returns to the normal range.



**Figure 6. Typical Charge Profile**



**Figure 7. TS Pin Thresholds**

OPERATIONAL FLOW DIAGRAM

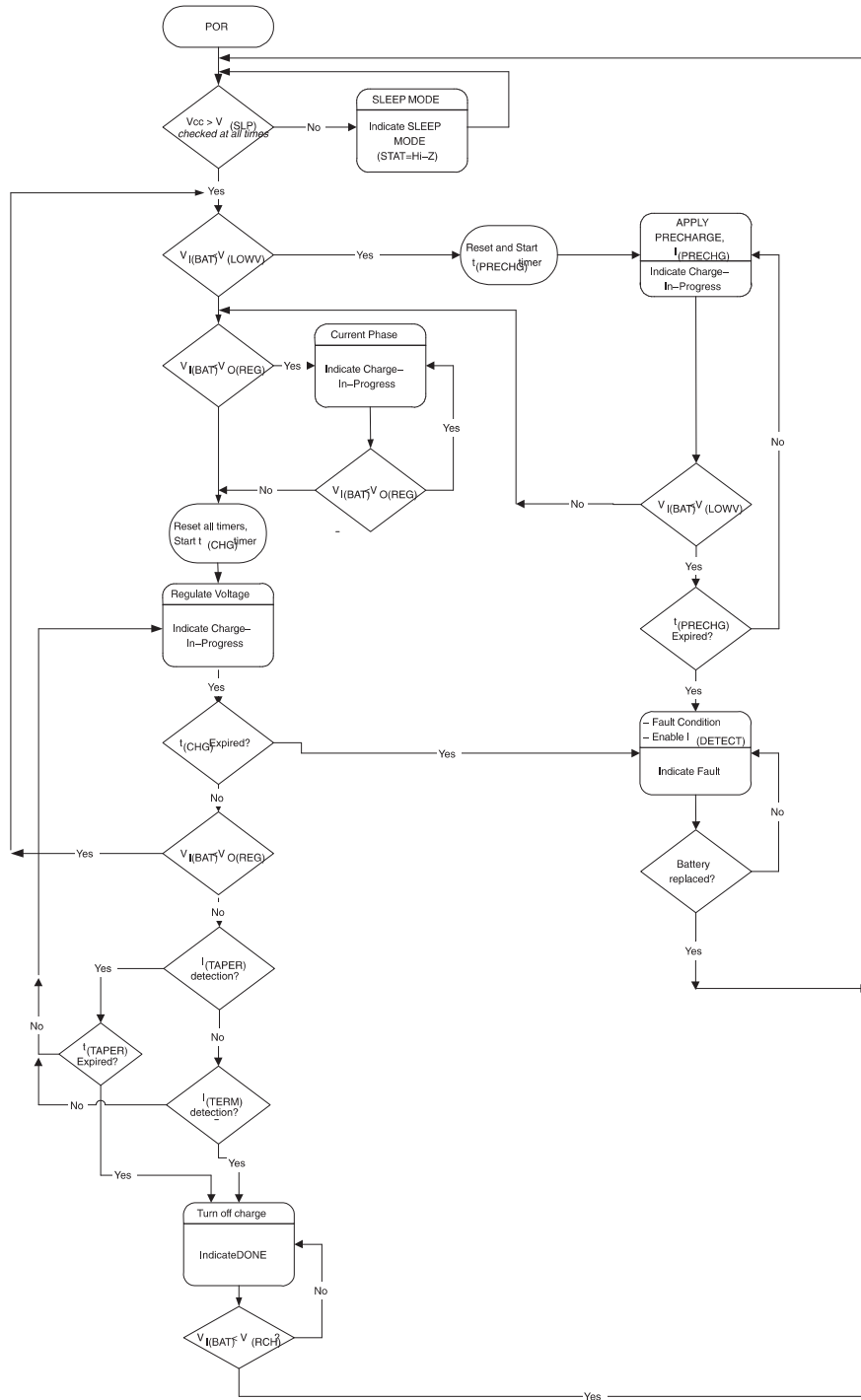


Figure 8. Operational Flow Chart

The resistor values of RT1 and RT2 are calculated by the following equations:

For NTC Thermistors:

$$R_{T1} = \frac{(5 \times RT_H \times RT_C)}{(3 \times (RT_C - RT_H))} \quad (1)$$

$$R_{T2} = \frac{(5 \times RT_H \times RT_C)}{(2 \times RT_C) - (7 \times RT_H)} \quad (2)$$

For PTC Thermistors:

$$R_{T1} = \frac{(5 \times RT_H \times RT_C)}{(3 \times (RT_H - RT_C))} \quad (3)$$

$$R_{T2} = \frac{(5 \times RT_H \times RT_C)}{(2 \times RT_H) - (7 \times RT_C)} \quad (4)$$

Where  $RT_C$  is the cold temperature resistance and  $RT_H$  is the hot temperature resistance of thermistor, as specified by the thermistor manufacturer.

$R_{T1}$  or  $R_{T2}$  can be omitted if only one temperature (hot or cold) setting is required. Applying a voltage between the  $V_{TS1}$  and  $V_{TS2}$  thresholds to pin TS disables the temperature-sensing feature. Also applying a voltage between ( $V_{CC} - 0.3$  V) and  $V_{CC}$  suspends the charge and places the IC in the low-power standby mode.

## BATTERY PRE-CONDITIONING

Figure 7 shows the operational flow chart for the bq2420x.

Upon power-up, if the battery voltage is below the  $V_{(LOWV)}$  threshold, the bq2420x applies a pre-charge current,  $I_{(PRECHG)}$ , to the battery. This feature revives deeply discharged cells. The bq2420x activates a safety timer,  $t_{(PRECHG)}$ , during the conditioning phase. If  $V_{(LOWV)}$  threshold is not reached within the timer period, the bq2420x turns off the charger and enunciates FAULT on the STAT pin. In the case of a FAULT condition, the bq2420x reduces the current to  $I_{(DETECT)}$ .  $I_{(DETECT)}$  is used to detect a battery replacement condition. Fault condition is cleared by POR or battery replacement.

## BATTERY CHARGE CURRENT

Following a successful pre-conditioning, the bq2420x relies on an external current-limited supply to limit the charge current to the cell. The bq2420x continues this phase until the battery reaches the voltage regulation phase.

During this phase (and all other phases of operation) in order to protect the integrated powerFET, the internal short circuit and thermal protection circuits are active.

## BATTERY VOLTAGE REGULATION

The voltage regulation feedback is through the BAT pin. This input is tied directly to the positive side of the battery pack. The bq2420x monitors the battery-pack voltage between the BAT and VSS pins. The bq2420x is offered in two fixed-voltage versions: 4.1 V and 4.2 V.

As a safety backup, the bq2420x also monitors the charge time in the voltage regulation mode. If taper current is not detected within this time period,  $t_{(CHG)}$ , the bq2420x turns off the charger and enunciates FAULT on the STAT pin. Fault condition is cleared by POR or battery replacement. Note that the safety timer is reset if the bq2420x is forced out of the voltage regulation mode.

## CHARGE TERMINATION AND RECHARGE

The bq2420x monitors the charging current during the voltage regulation phase. Once the taper threshold,  $I_{(TAPER)}$ , is detected the bq2420x initiates the taper timer,  $t_{(TAPER)}$ . Charge is terminated after the timer expires. The bq2420x resets the taper timer in the event that the charge current returns above the taper threshold,  $I_{(TAPER)}$ .

In addition to the taper current detection, the bq2420x terminates charge in the event that the charge current falls below the  $I_{(TERM)}$  threshold. This feature allows for quick recognition of a battery removal condition.

After a charge termination, the bq2420x restarts the charge once the voltage on the BAT pin falls below the  $V_{(RCH)}$  threshold. This feature keeps the battery at full capacity at all times.

## SLEEP MODE

The bq2420x enters the low-power sleep mode if the  $V_{CC}$  is removed from the circuit (i.e., the  $V_{CC}$  and IN pins are floating). For applications where these pins are not floating, placing a low-power 10  $\Omega$  (1/16 W) between the IN and  $V_{CC}$  pins ensures the  $V_{(SLP)}$  conditions are met (see Figure 9). This feature prevents draining the battery during the absence of  $V_{CC}$ .

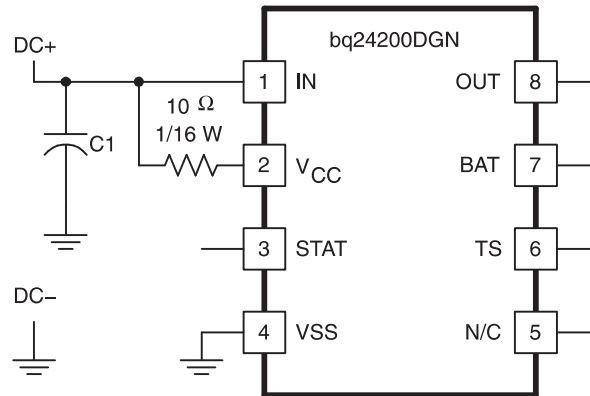


Figure 9. Sleep Mode

## CHARGE ENABLE PIN

The  $\overline{CE}$  pin on bq24202, bq24203, bq24204 and bq24205 can be used to enable or suspend the charge. Charge is enabled if the voltage  $V_{L(CE)}$  is applied to the pin. Applying the  $V_{H(CE)}$  suspends the charge. During a charge suspend mode, the internal powerFET is turned off and all timers are reset.

## CHARGE STATUS OUTPUT

The STAT pin on the bq2420x, indicates various conditions of operation. These conditions are summarized in Table 1.

Table 1. STAT Pin

CONDITION	STAT
Pre-charge	High
Fast-charge	High
Charge-complete	Low
Taper timer done	Low
Charge suspend (due to temperature or $\overline{CE}$ input)	Hi-Z
Thermal shutdown	Hi-Z
Pre-charge timer fault	Hi-Z
Sleep mode	Hi-Z
Charge timer fault	Hi-Z

**PACKAGING INFORMATION**

Orderable Device	Status (1)	Package Type	Package Drawing	Pins	Package Qty	Eco Plan (2)	Lead/Ball Finish (6)	MSL Peak Temp (3)	Op Temp (°C)	Device Marking (4/5)	Samples
BQ24200DGN	NRND	MSOP- PowerPAD	DGN	8	80	Green (RoHS & no Sb/Br)	CU NIPDAU	Level-1-260C-UNLIM	-40 to 85	AZC	
BQ24200DGNR	NRND	MSOP- PowerPAD	DGN	8	2500	Green (RoHS & no Sb/Br)	CU NIPDAU	Level-1-260C-UNLIM	-40 to 85	AZC	
BQ24201DGN	NRND	MSOP- PowerPAD	DGN	8	80	Green (RoHS & no Sb/Br)	CU NIPDAU	Level-1-260C-UNLIM	-40 to 85	AZD	
BQ24202DGN	NRND	MSOP- PowerPAD	DGN	8	80	Green (RoHS & no Sb/Br)	CU NIPDAU	Level-1-260C-UNLIM	-40 to 85	AZE	
BQ24202DGNG4	NRND	MSOP- PowerPAD	DGN	8	80	Green (RoHS & no Sb/Br)	CU NIPDAU	Level-1-260C-UNLIM	-40 to 85	AZE	
BQ24202DGNR	NRND	MSOP- PowerPAD	DGN	8	2500	Green (RoHS & no Sb/Br)	CU NIPDAU	Level-1-260C-UNLIM	-40 to 85	AZE	
BQ24203DGN	NRND	MSOP- PowerPAD	DGN	8	80	Green (RoHS & no Sb/Br)	CU NIPDAU	Level-1-260C-UNLIM	-40 to 85	AZF	
BQ24203DGNG4	NRND	MSOP- PowerPAD	DGN	8	80	Green (RoHS & no Sb/Br)	CU NIPDAU	Level-1-260C-UNLIM	-40 to 85	AZF	
BQ24205DGN	NRND	MSOP- PowerPAD	DGN	8	80	Green (RoHS & no Sb/Br)	CU NIPDAU	Level-1-260C-UNLIM	-40 to 85	AZI	

(1) The marketing status values are defined as follows:

**ACTIVE:** Product device recommended for new designs.

**LIFEBUY:** TI has announced that the device will be discontinued, and a lifetime-buy period is in effect.

**NRND:** Not recommended for new designs. Device is in production to support existing customers, but TI does not recommend using this part in a new design.

**PREVIEW:** Device has been announced but is not in production. Samples may or may not be available.

**OBSOLETE:** TI has discontinued the production of the device.

(2) **RoHS:** TI defines "RoHS" to mean semiconductor products that are compliant with the current EU RoHS requirements for all 10 RoHS substances, including the requirement that RoHS substance do not exceed 0.1% by weight in homogeneous materials. Where designed to be soldered at high temperatures, "RoHS" products are suitable for use in specified lead-free processes. TI may reference these types of products as "Pb-Free".

**RoHS Exempt:** TI defines "RoHS Exempt" to mean products that contain lead but are compliant with EU RoHS pursuant to a specific EU RoHS exemption.

**Green:** TI defines "Green" to mean the content of Chlorine (Cl) and Bromine (Br) based flame retardants meet JS709B low halogen requirements of <=1000ppm threshold. Antimony trioxide based flame retardants must also meet the <=1000ppm threshold requirement.

(3) MSL, Peak Temp. - The Moisture Sensitivity Level rating according to the JEDEC industry standard classifications, and peak solder temperature.

(4) There may be additional marking, which relates to the logo, the lot trace code information, or the environmental category on the device.

(5) Multiple Device Markings will be inside parentheses. Only one Device Marking contained in parentheses and separated by a "~" will appear on a device. If a line is indented then it is a continuation of the previous line and the two combined represent the entire Device Marking for that device.

(6) Lead/Ball Finish - Orderable Devices may have multiple material finish options. Finish options are separated by a vertical ruled line. Lead/Ball Finish values may wrap to two lines if the finish value exceeds the maximum column width.

**Important Information and Disclaimer:**The information provided on this page represents TI's knowledge and belief as of the date that it is provided. TI bases its knowledge and belief on information provided by third parties, and makes no representation or warranty as to the accuracy of such information. Efforts are underway to better integrate information from third parties. TI has taken and continues to take reasonable steps to provide representative and accurate information but may not have conducted destructive testing or chemical analysis on incoming materials and chemicals. TI and TI suppliers consider certain information to be proprietary, and thus CAS numbers and other limited information may not be available for release.

In no event shall TI's liability arising out of such information exceed the total purchase price of the TI part(s) at issue in this document sold by TI to Customer on an annual basis.

## TAPE AND REEL INFORMATION



### QUADRANT ASSIGNMENTS FOR PIN 1 ORIENTATION IN TAPE



\*All dimensions are nominal

Device	Package Type	Package Drawing	Pins	SPQ	Reel Diameter (mm)	Reel Width W1 (mm)	A0 (mm)	B0 (mm)	K0 (mm)	P1 (mm)	W (mm)	Pin1 Quadrant
BQ24200DGNR	MSOP-Power PAD	DGN	8	2500	330.0	12.4	5.3	3.4	1.4	8.0	12.0	Q1
BQ24202DGNR	MSOP-Power PAD	DGN	8	2500	330.0	12.4	5.3	3.4	1.4	8.0	12.0	Q1

TAPE AND REEL BOX DIMENSIONS

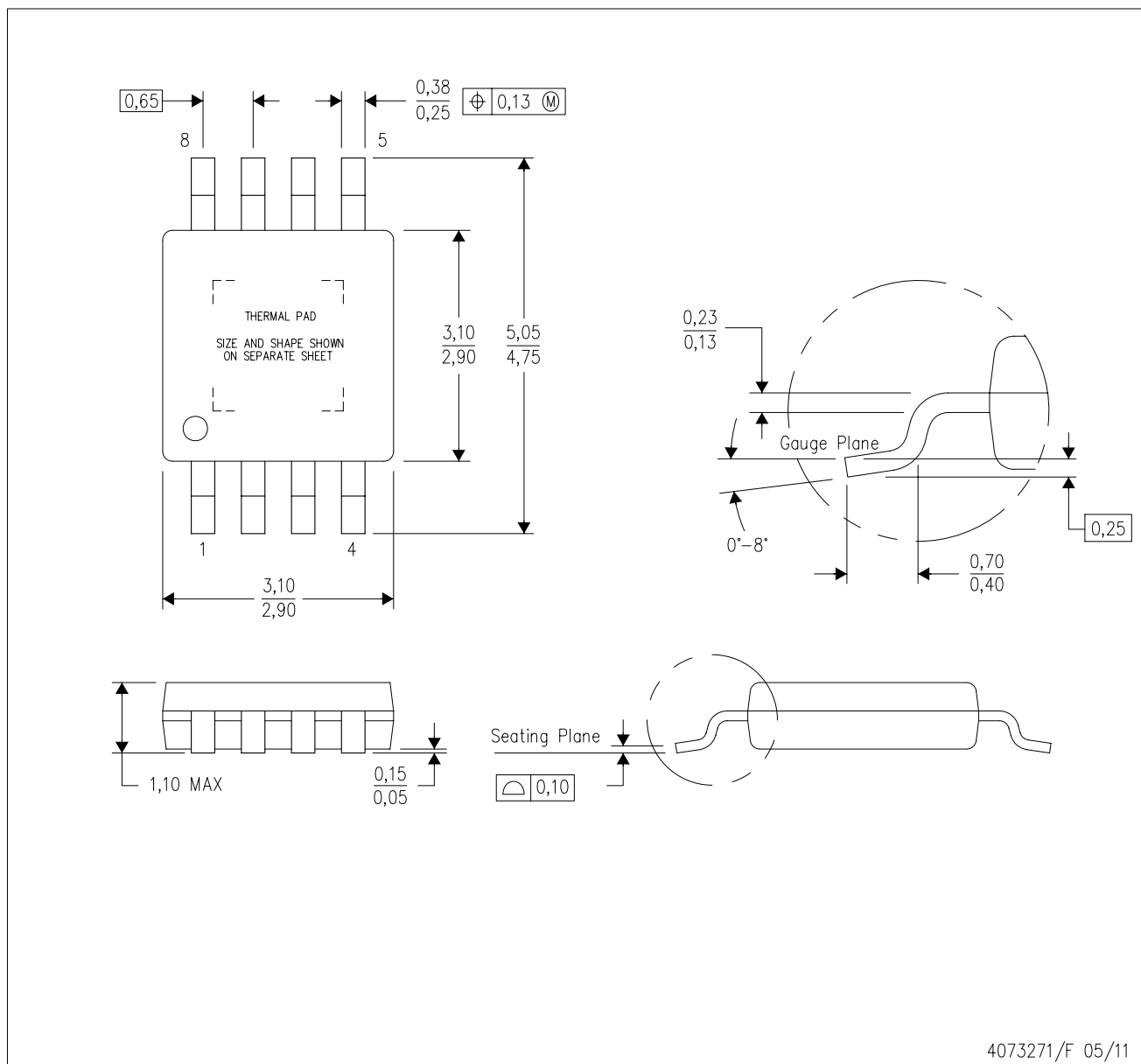


\*All dimensions are nominal

Device	Package Type	Package Drawing	Pins	SPQ	Length (mm)	Width (mm)	Height (mm)
BQ24200DGNR	MSOP-PowerPAD	DGN	8	2500	358.0	335.0	35.0
BQ24202DGNR	MSOP-PowerPAD	DGN	8	2500	358.0	335.0	35.0

DGN (S-PDSO-G8)

PowerPAD™ PLASTIC SMALL OUTLINE



- NOTES:
- All linear dimensions are in millimeters.
  - This drawing is subject to change without notice.
  - Body dimensions do not include mold flash or protrusion.
  - This package is designed to be soldered to a thermal pad on the board. Refer to Technical Brief, PowerPad Thermally Enhanced Package, Texas Instruments Literature No. SLMA002 for information regarding recommended board layout. This document is available at [www.ti.com](http://www.ti.com) <<http://www.ti.com>>.
  - See the additional figure in the Product Data Sheet for details regarding the exposed thermal pad features and dimensions.
  - Falls within JEDEC MO-187 variation AA-T

PowerPAD is a trademark of Texas Instruments.

DGN (S-PDSO-G8)

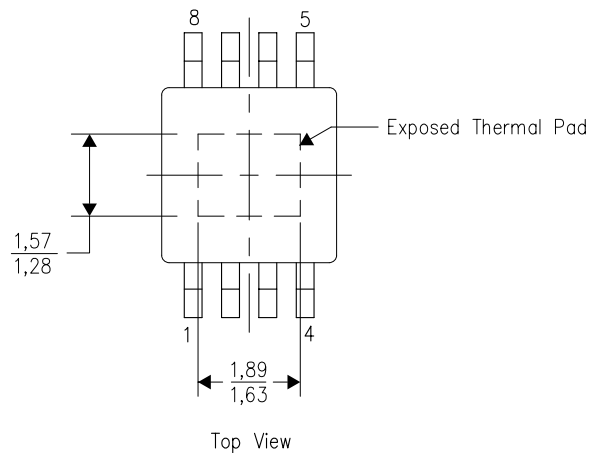
PowerPAD™ PLASTIC SMALL OUTLINE

## THERMAL INFORMATION

This PowerPAD™ package incorporates an exposed thermal pad that is designed to be attached to a printed circuit board (PCB). The thermal pad must be soldered directly to the PCB. After soldering, the PCB can be used as a heatsink. In addition, through the use of thermal vias, the thermal pad can be attached directly to the appropriate copper plane shown in the electrical schematic for the device, or alternatively, can be attached to a special heatsink structure designed into the PCB. This design optimizes the heat transfer from the integrated circuit (IC).

For additional information on the PowerPAD package and how to take advantage of its heat dissipating abilities, refer to Technical Brief, PowerPAD Thermally Enhanced Package, Texas Instruments Literature No. SLMA002 and Application Brief, PowerPAD Made Easy, Texas Instruments Literature No. SLMA004. Both documents are available at [www.ti.com](http://www.ti.com).

The exposed thermal pad dimensions for this package are shown in the following illustration.

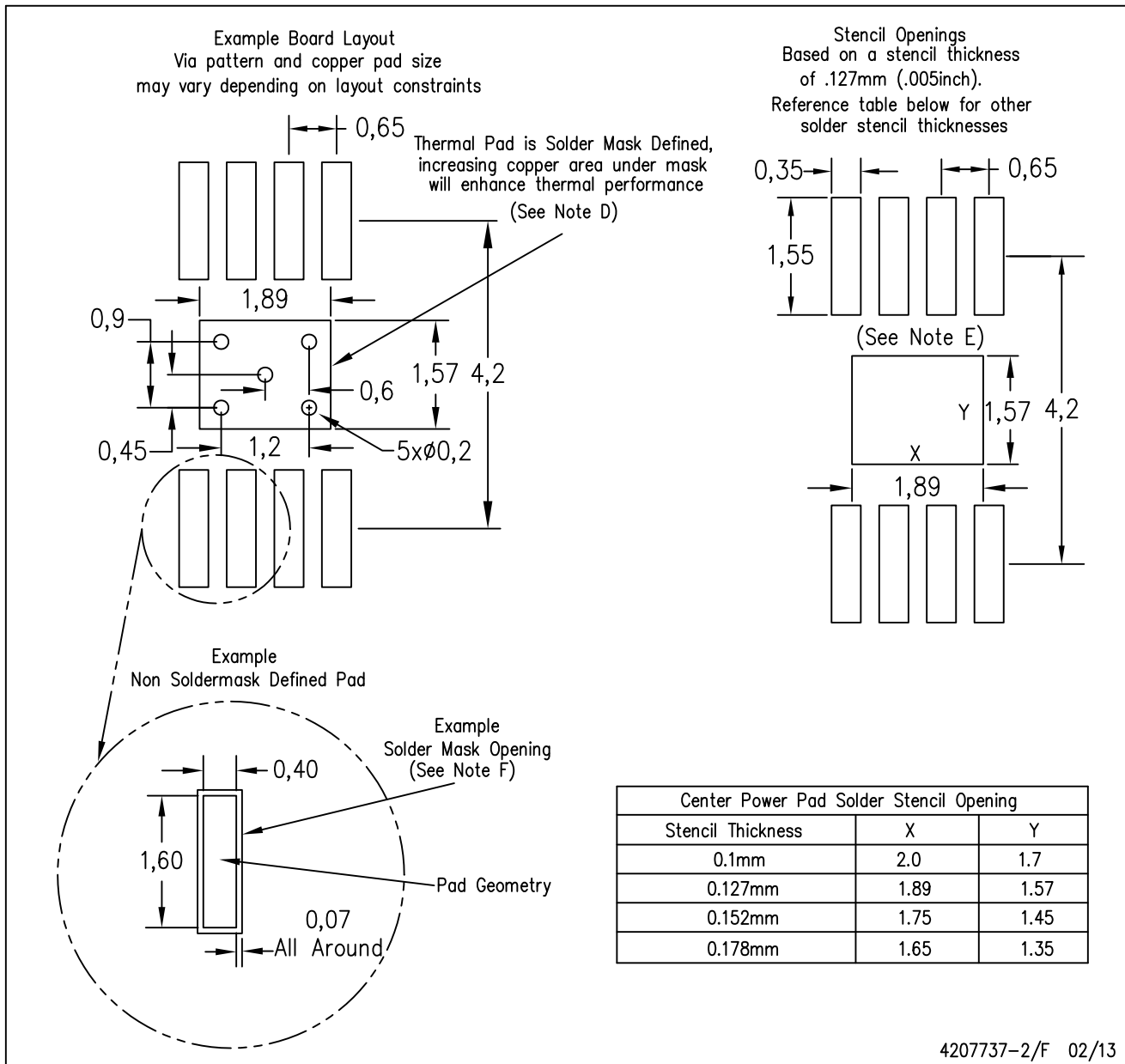


Exposed Thermal Pad Dimensions

4206323-2/1 12/11

NOTE: All linear dimensions are in millimeters

PowerPAD is a trademark of Texas Instruments



- NOTES:
- A. All linear dimensions are in millimeters.
  - B. This drawing is subject to change without notice.
  - C. Customers should place a note on the circuit board fabrication drawing not to alter the center solder mask defined pad.
  - D. This package is designed to be soldered to a thermal pad on the board. Refer to Technical Brief, PowerPad Thermally Enhanced Package, Texas Instruments Literature No. SLMA002, SLMA004, and also the Product Data Sheets for specific thermal information, via requirements, and recommended board layout. These documents are available at [www.ti.com](http://www.ti.com) <<http://www.ti.com>>.
  - E. Laser cutting apertures with trapezoidal walls and also rounding corners will offer better paste release. Customers should contact their board assembly site for stencil design recommendations. Example stencil design based on a 50% volumetric metal load solder paste. Refer to IPC-7525 for other stencil recommendations.
  - F. Customers should contact their board fabrication site for solder mask tolerances between and around signal pads.

PowerPAD is a trademark of Texas Instruments

## IMPORTANT NOTICE AND DISCLAIMER

TI PROVIDES TECHNICAL AND RELIABILITY DATA (INCLUDING DATASHEETS), DESIGN RESOURCES (INCLUDING REFERENCE DESIGNS), APPLICATION OR OTHER DESIGN ADVICE, WEB TOOLS, SAFETY INFORMATION, AND OTHER RESOURCES "AS IS" AND WITH ALL FAULTS, AND DISCLAIMS ALL WARRANTIES, EXPRESS AND IMPLIED, INCLUDING WITHOUT LIMITATION ANY IMPLIED WARRANTIES OF MERCHANTABILITY, FITNESS FOR A PARTICULAR PURPOSE OR NON-INFRINGEMENT OF THIRD PARTY INTELLECTUAL PROPERTY RIGHTS.

These resources are intended for skilled developers designing with TI products. You are solely responsible for (1) selecting the appropriate TI products for your application, (2) designing, validating and testing your application, and (3) ensuring your application meets applicable standards, and any other safety, security, or other requirements. These resources are subject to change without notice. TI grants you permission to use these resources only for development of an application that uses the TI products described in the resource. Other reproduction and display of these resources is prohibited. No license is granted to any other TI intellectual property right or to any third party intellectual property right. TI disclaims responsibility for, and you will fully indemnify TI and its representatives against, any claims, damages, costs, losses, and liabilities arising out of your use of these resources.

TI's products are provided subject to TI's Terms of Sale ([www.ti.com/legal/termsofsale.html](http://www.ti.com/legal/termsofsale.html)) or other applicable terms available either on [ti.com](http://ti.com) or provided in conjunction with such TI products. TI's provision of these resources does not expand or otherwise alter TI's applicable warranties or warranty disclaimers for TI products.

Mailing Address: Texas Instruments, Post Office Box 655303, Dallas, Texas 75265  
Copyright © 2019, Texas Instruments Incorporated

## Looking for pricing, stock, or lifecycle information?

Click below to explore more details on WIN SOURCE:

 [View BQ24203DGN](#) on WIN SOURCE

 [Texas Instruments](#) Information

## Optimize Your Supply Chain with WIN SOURCE Solutions

-  Global Sourcing Solution
-  Obsolete Management
-  Cost Control Management
-  Shortage Management
-  Alternative Solution
-  Excess Inventory Management