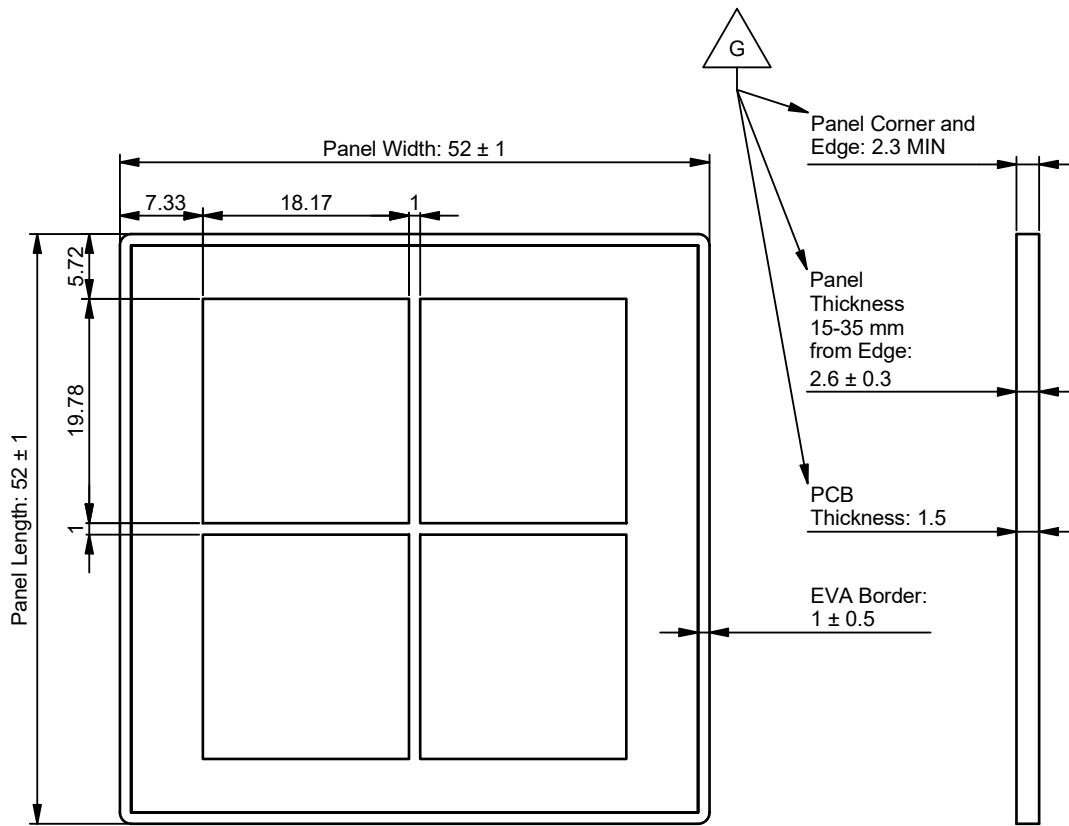


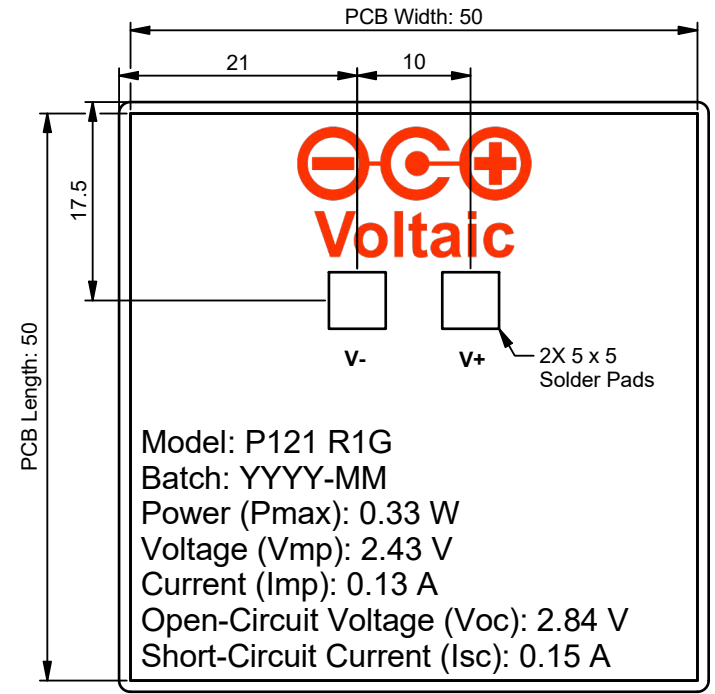


**THE DATASHEET OF  
P121**





Front



Back

Side

Model: P121 R1G  
 Batch: YYYY-MM  
 Power (Pmax): 0.33 W  
 Voltage (Vmp): 2.43 V  
 Current (Imp): 0.13 A  
 Open-Circuit Voltage (Voc): 2.84 V  
 Short-Circuit Current (Isc): 0.15 A





Drawing Details		Construction		Power Specifications				
Panel Number:	P121	All Materials RoHS Compliant		Output Tolerance: ± 10% of Voltage and Current				
Revision:	R1G	Substrate:	Black DS PCB	Solar Cell: SunPower Maxeon Gen III Je3A				
Engineer:	CY	Encapsulant:	EVA F806P	Nominal Efficiency:	≥ 22%	Cell Pieces:		4
Checked By:	SM	Top Layer:	ETFE YH05	Panel Electrical Ratings		Nominal	Expected	
Date Created:	2020-01-28	Wire Number:	N/A	Open-Circuit Voltage	Voc	2.84	2.55	V
Date Modified:	2020-04-10	Wire Length:	N/A	Voltage at Max Power	Vp	2.43	2.19	V
Changes:	PCB Thickness	Strain Relief:	N/A	Short-Circuit Current	Isc	0.15	0.13	A
Tolerance:	± 0.3	Attachment:	N/A	Current at Max Power	Ip	0.13	0.12	A
Scale:	1.5:1	Temperature:	-40 to 85 °C	Maximum Power	Wp	0.33	0.27	W
Units:	mm	Sheet:	1/1					

This document contains proprietary information and may not be copied or shared without the consent of Voltaic Systems

## Looking for pricing, stock, or lifecycle information?

Click below to explore more details on WIN SOURCE:

-  [View P121 on WIN SOURCE](#)
-  [Voltaic Systems](#) Information

## Optimize Your Supply Chain with WIN SOURCE Solutions

-  Global Sourcing Solution
-  Obsolete Management
-  Cost Control Management
-  Shortage Management
-  Alternative Solution
-  Excess Inventory Management