



**THE DATASHEET OF  
MAX810SQ293D2T1G**



# MAX809 Series, MAX810 Series

## Very Low Supply Current 3-Pin Microprocessor Reset Monitors

The MAX809 and MAX810 are cost-effective system supervisor circuits designed to monitor  $V_{CC}$  in digital systems and provide a reset signal to the host processor when necessary. No external components are required.

The reset output is driven active within 10  $\mu$ sec of  $V_{CC}$  falling through the reset voltage threshold. Reset is maintained active for a timeout period which is trimmed by the factory after  $V_{CC}$  rises above the reset threshold. The MAX810 has an active-high RESET output while the MAX809 has an active-low  $\overline{\text{RESET}}$  output. Both devices are available in SOT-23 and SC-70 packages.

The MAX809/810 are optimized to reject fast transient glitches on the  $V_{CC}$  line. Low supply current of 0.5  $\mu$ A ( $V_{CC} = 3.2$  V) makes these devices suitable for battery powered applications.

### Features

- Precision  $V_{CC}$  Monitor for 1.5 V, 2.5 V, 3.0 V, 3.3 V, and 5.0 V Supplies
- Precision Monitoring Voltages from 1.2 V to 4.9 V Available in 100 mV Steps
- Four Guaranteed Minimum Power-On Reset Pulse Width Available (1 ms, 20 ms, 100 ms, and 140 ms)
- $\overline{\text{RESET}}$  Output Guaranteed to  $V_{CC} = 1.0$  V.
- Low Supply Current
- Compatible with Hot Plug Applications
- $V_{CC}$  Transient Immunity
- No External Components
- Wide Operating Temperature:  $-40^{\circ}\text{C}$  to  $105^{\circ}\text{C}$
- These Devices are Pb-Free and are RoHS Compliant

### Typical Applications

- Computers
- Embedded Systems
- Battery Powered Equipment
- Critical Microprocessor Power Supply Monitoring

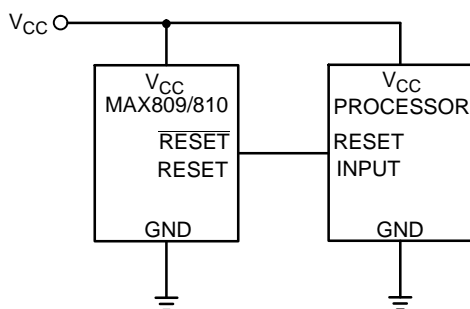


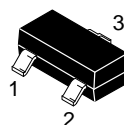
Figure 1. Typical Application Diagram



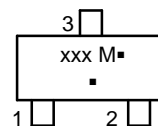
ON Semiconductor®

[www.onsemi.com](http://www.onsemi.com)

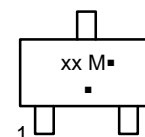
### MARKING DIAGRAM



SOT-23  
(TO-236)  
CASE 318



SC-70  
(SOT-323)  
CASE 419



xxx = Specific Device Code  
M = Date Code  
▪ = Pb-Free Package  
(Note: Microdot may be in either location)

### PIN CONFIGURATION



SOT-23/SC-70  
(Top View)

NOTE:  $\overline{\text{RESET}}$  is for MAX809  
RESET is for MAX810

### ORDERING INFORMATION

See detailed ordering and shipping information in the package dimensions section on page 10 of this data sheet.

### DEVICE MARKING INFORMATION

See general marking information in the device marking section on page 10 of this data sheet.

This document contains information on some products that are still under development. ON Semiconductor reserves the right to change or discontinue these products without notice.

# MAX809 Series, MAX810 Series

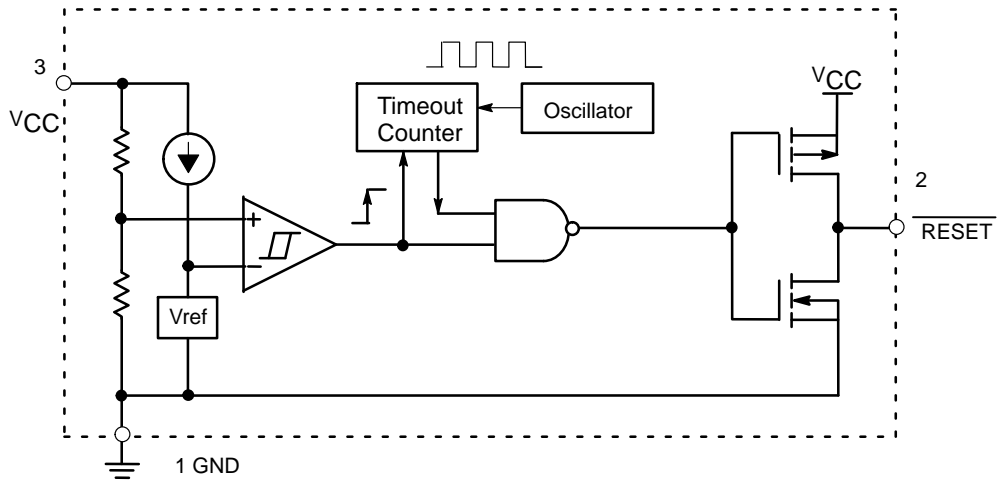


Figure 2. MAX809 Series Complementary Active-Low Output

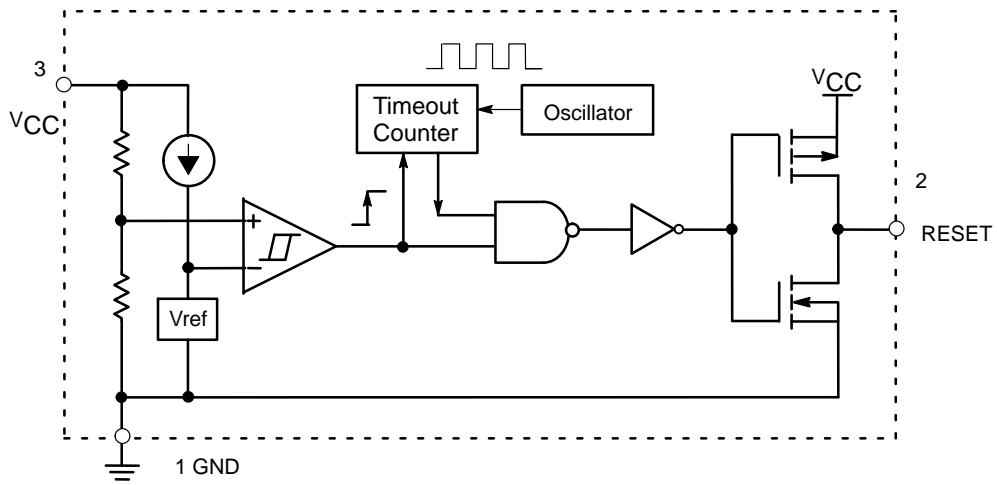


Figure 3. MAX810 Series Complementary Active-High Output

# MAX809 Series, MAX810 Series

## PIN DESCRIPTION

| Pin No. | Symbol         | Description                                                                                                                                              |
|---------|----------------|----------------------------------------------------------------------------------------------------------------------------------------------------------|
| 1       | GND            | Ground                                                                                                                                                   |
| 2       | RESET (MAX809) | RESET output remains low while $V_{CC}$ is below the reset voltage threshold, and for a reset timeout period after $V_{CC}$ rises above reset threshold  |
| 2       | RESET (MAX810) | RESET output remains high while $V_{CC}$ is below the reset voltage threshold, and for a reset timeout period after $V_{CC}$ rises above reset threshold |
| 3       | $V_{CC}$       | Supply Voltage (Typ)                                                                                                                                     |

## ABSOLUTE MAXIMUM RATINGS

| Rating                                                                                                                                   | Symbol                             | Value                      | Unit                        |
|------------------------------------------------------------------------------------------------------------------------------------------|------------------------------------|----------------------------|-----------------------------|
| Power Supply Voltage ( $V_{CC}$ to GND)                                                                                                  | $V_{CC}$                           | -0.3 to 6.0                | V                           |
| RESET Output Voltage (CMOS)                                                                                                              |                                    | -0.3 to ( $V_{CC} + 0.3$ ) | V                           |
| Input Current, $V_{CC}$                                                                                                                  |                                    | 20                         | mA                          |
| Output Current, $\overline{\text{RESET}}$                                                                                                |                                    | 20                         | mA                          |
| dV/dt ( $V_{CC}$ )                                                                                                                       |                                    | 100                        | V/ $\mu\text{sec}$          |
| Thermal Resistance, Junction-to-Air (Note 1)                                                                                             | SOT-23<br>SC-70<br>$R_{\theta JA}$ | 301<br>314                 | $^{\circ}\text{C}/\text{W}$ |
| Operating Junction Temperature Range                                                                                                     | $T_J$                              | -40 to +125                | $^{\circ}\text{C}$          |
| Storage Temperature Range                                                                                                                | $T_{\text{stg}}$                   | -65 to +150                | $^{\circ}\text{C}$          |
| Lead Temperature (Soldering, 10 Seconds)                                                                                                 | $T_{\text{sol}}$                   | +260                       | $^{\circ}\text{C}$          |
| ESD Protection<br>Human Body Model (HBM): Following Specification JESD22-A114<br>Machine Model (MM): Following Specification JESD22-A115 |                                    | 2000<br>200                | V                           |
| Latchup Current Maximum Rating: Following Specification JESD78 Class II<br>Positive<br>Negative                                          | $I_{\text{Latchup}}$               | 200<br>200                 | mA                          |

Stresses exceeding those listed in the Maximum Ratings table may damage the device. If any of these limits are exceeded, device functionality should not be assumed, damage may occur and reliability may be affected.

1. This based on a 35x35x1.6mm FR4 PCB with 10mm<sup>2</sup> of 1 oz copper traces under natural convection conditions and a single component characterization.
2. The maximum package power dissipation limit must not be exceeded.

$$P_D = \frac{T_{J(\text{max})} - T_A}{R_{\theta JA}} \quad \text{with } T_{J(\text{max})} = 150^{\circ}\text{C}$$

## MAX809 Series, MAX810 Series

**ELECTRICAL CHARACTERISTICS**  $T_A = -40^{\circ}\text{C}$  to  $+105^{\circ}\text{C}$  unless otherwise noted. Typical values are at  $T_A = +25^{\circ}\text{C}$ . (Note 3)

| Characteristic                                                                                                                                                                                                                                                                                                         | Symbol   | Min                  | Typ            | Max                  | Unit          |
|------------------------------------------------------------------------------------------------------------------------------------------------------------------------------------------------------------------------------------------------------------------------------------------------------------------------|----------|----------------------|----------------|----------------------|---------------|
| $V_{CC}$ Range<br>$T_A = 0^{\circ}\text{C}$ to $+70^{\circ}\text{C}$<br>$T_A = -40^{\circ}\text{C}$ to $+105^{\circ}\text{C}$ (Note 4)                                                                                                                                                                                 |          | 1.0<br>1.2           | –<br>–         | 5.5<br>5.5           | V             |
| Supply Current<br>$V_{CC} = 3.3\text{ V}$<br>$T_A = -40^{\circ}\text{C}$ to $+85^{\circ}\text{C}$<br>$T_A = 85^{\circ}\text{C}$ to $+105^{\circ}\text{C}$ (Note 5)<br>$V_{CC} = 5.5\text{ V}$<br>$T_A = -40^{\circ}\text{C}$ to $+85^{\circ}\text{C}$<br>$T_A = 85^{\circ}\text{C}$ to $+105^{\circ}\text{C}$ (Note 5) | $I_{CC}$ | –<br>–               | 0.5<br>–       | 1.2<br>2.0           | $\mu\text{A}$ |
| Reset Threshold ( $V_{in}$ Decreasing) (Note 6)                                                                                                                                                                                                                                                                        | $V_{TH}$ |                      |                |                      | V             |
| MAX809SN490<br>$T_A = +25^{\circ}\text{C}$<br>$T_A = -40^{\circ}\text{C}$ to $+85^{\circ}\text{C}$<br>$T_A = +85^{\circ}\text{C}$ to $+105^{\circ}\text{C}$ (Note 5)                                                                                                                                                   |          | 4.83<br>4.78<br>4.66 | 4.9<br>–<br>–  | 4.97<br>5.02<br>5.14 |               |
| MAX8xxLTR, MAX8xxSQ463<br>$T_A = +25^{\circ}\text{C}$<br>$T_A = -40^{\circ}\text{C}$ to $+85^{\circ}\text{C}$<br>$T_A = +85^{\circ}\text{C}$ to $+105^{\circ}\text{C}$ (Note 5)                                                                                                                                        |          | 4.56<br>4.50<br>4.40 | 4.63<br>–<br>– | 4.70<br>4.75<br>4.86 |               |
| MAX809HTR<br>$T_A = +25^{\circ}\text{C}$<br>$T_A = -40^{\circ}\text{C}$ to $+85^{\circ}\text{C}$<br>$T_A = +85^{\circ}\text{C}$ to $+105^{\circ}\text{C}$ (Note 5)                                                                                                                                                     |          | 4.48<br>4.43<br>4.32 | 4.55           | 4.62<br>4.67<br>4.78 |               |
| MAX8xxMTR, MAX8xxSQ438<br>$T_A = +25^{\circ}\text{C}$<br>$T_A = -40^{\circ}\text{C}$ to $+85^{\circ}\text{C}$<br>$T_A = +85^{\circ}\text{C}$ to $+105^{\circ}\text{C}$ (Note 5)                                                                                                                                        |          | 4.31<br>4.27<br>4.16 | 4.38           | 4.45<br>4.49<br>4.60 |               |
| MAX809JTR, MAX8xxSQ400<br>$T_A = +25^{\circ}\text{C}$<br>$T_A = -40^{\circ}\text{C}$ to $+85^{\circ}\text{C}$<br>$T_A = +85^{\circ}\text{C}$ to $+105^{\circ}\text{C}$ (Note 5)                                                                                                                                        |          | 3.94<br>3.90<br>3.80 | 4.00<br>–<br>– | 4.06<br>4.10<br>4.20 |               |
| MAX8xxTTR, MAX809SQ308<br>$T_A = +25^{\circ}\text{C}$<br>$T_A = -40^{\circ}\text{C}$ to $+85^{\circ}\text{C}$<br>$T_A = +85^{\circ}\text{C}$ to $+105^{\circ}\text{C}$ (Note 5)                                                                                                                                        |          | 3.04<br>3.00<br>2.92 | 3.08<br>–<br>– | 3.11<br>3.16<br>3.24 |               |
| MAX8xxSTR, MAX8xxSQ293<br>$T_A = +25^{\circ}\text{C}$<br>$T_A = -40^{\circ}\text{C}$ to $+85^{\circ}\text{C}$<br>$T_A = +85^{\circ}\text{C}$ to $+105^{\circ}\text{C}$ (Note 5)                                                                                                                                        |          | 2.89<br>2.85<br>2.78 | 2.93<br>–<br>– | 2.96<br>3.00<br>3.08 |               |
| MAX8xxRTR, MAX8xxSQ263<br>$T_A = +25^{\circ}\text{C}$<br>$T_A = -40^{\circ}\text{C}$ to $+85^{\circ}\text{C}$<br>$T_A = +85^{\circ}\text{C}$ to $+105^{\circ}\text{C}$ (Note 5)                                                                                                                                        |          | 2.59<br>2.56<br>2.49 | 2.63<br>–<br>– | 2.66<br>2.70<br>2.77 |               |
| MAX809SN232, MAX809SQ232<br>$T_A = +25^{\circ}\text{C}$<br>$T_A = -40^{\circ}\text{C}$ to $+85^{\circ}\text{C}$<br>$T_A = +85^{\circ}\text{C}$ to $+105^{\circ}\text{C}$ (Note 5)                                                                                                                                      |          | 2.28<br>2.25<br>2.21 | 2.32<br>–<br>– | 2.35<br>2.38<br>2.45 |               |
| MAX809SN160<br>$T_A = +25^{\circ}\text{C}$<br>$T_A = -40^{\circ}\text{C}$ to $+85^{\circ}\text{C}$<br>$T_A = +85^{\circ}\text{C}$ to $+105^{\circ}\text{C}$ (Note 5)                                                                                                                                                   |          | 1.58<br>1.56<br>1.52 | 1.60<br>–<br>– | 1.62<br>1.64<br>1.68 |               |
| MAX809SN120, MAX8xxSQ120<br>$T_A = +25^{\circ}\text{C}$<br>$T_A = -40^{\circ}\text{C}$ to $+85^{\circ}\text{C}$<br>$T_A = +85^{\circ}\text{C}$ to $+105^{\circ}\text{C}$ (Note 5)                                                                                                                                      |          | 1.18<br>1.17<br>1.14 | 1.20<br>–<br>– | 1.22<br>1.23<br>1.26 |               |

Product parametric performance is indicated in the Electrical Characteristics for the listed test conditions, unless otherwise noted. Product performance may not be indicated by the Electrical Characteristics if operated under different conditions.

3. Production testing done at  $T_A = 25^{\circ}\text{C}$ , over temperature limits guaranteed by design.

4. For NCV automotive devices, this temperature range is  $T_A = -40^{\circ}\text{C}$  to  $+125^{\circ}\text{C}$ .

5. For NCV automotive devices, this temperature range is  $T_A = +85^{\circ}\text{C}$  to  $+125^{\circ}\text{C}$ .

6. Contact your ON Semiconductor sales representative for other threshold voltage options.

## MAX809 Series, MAX810 Series

**ELECTRICAL CHARACTERISTICS (continued)**  $T_A = -40^{\circ}\text{C}$  to  $+105^{\circ}\text{C}$  unless otherwise noted. Typical values are at  $T_A = +25^{\circ}\text{C}$ . (Note 7)

| Characteristic                                                                                                                                                                                                                                                                                                         | Symbol   | Min                     | Typ              | Max                     | Unit                    |
|------------------------------------------------------------------------------------------------------------------------------------------------------------------------------------------------------------------------------------------------------------------------------------------------------------------------|----------|-------------------------|------------------|-------------------------|-------------------------|
| Detector Voltage Threshold Temperature Coefficient                                                                                                                                                                                                                                                                     |          | –                       | 30               | –                       | ppm/ $^{\circ}\text{C}$ |
| $V_{CC}$ to Reset Delay $V_{CC} = V_{TH}$ to $(V_{TH} - 100\text{ mV})$                                                                                                                                                                                                                                                |          | –                       | 10               | –                       | $\mu\text{sec}$         |
| Reset Active TimeOut Period (Note 8)<br>MAX8xxSN(Q)293D1<br>MAX8xxSN(Q)293D2<br>MAX8xxSN(Q)293D3<br>MAX8xxSN(Q)293                                                                                                                                                                                                     | $t_{RP}$ | 1.0<br>20<br>100<br>140 | –<br>–<br>–<br>– | 3.3<br>66<br>330<br>460 | msec                    |
| RESET Output Voltage Low (No Load) (MAX809)<br>$V_{CC} = V_{TH} - 0.2\text{ V}$<br>$1.6\text{ V} \leq V_{TH} \leq 2.0\text{ V}$ , $I_{SINK} = 0.5\text{ mA}$<br>$2.1\text{ V} \leq V_{TH} \leq 4.0\text{ V}$ , $I_{SINK} = 1.2\text{ mA}$<br>$4.1\text{ V} \leq V_{TH} \leq 4.9\text{ V}$ , $I_{SINK} = 3.2\text{ mA}$ | $V_{OL}$ | –                       | –                | 0.3                     | V                       |
| RESET Output Voltage High (No Load) (MAX809)<br>$V_{CC} = V_{TH} + 0.2\text{ V}$<br>$1.6\text{ V} \leq V_{TH} \leq 2.4\text{ V}$ , $I_{SOURCE} = 200\text{ }\mu\text{A}$<br>$2.5\text{ V} \leq V_{TH} \leq 4.9\text{ V}$ , $I_{SOURCE} = 500\text{ }\mu\text{A}$                                                       | $V_{OH}$ | $0.8 V_{CC}$            | –                | –                       | V                       |
| RESET Output Voltage High (No Load) (MAX810)<br>$V_{CC} = V_{TH} - 0.2\text{ V}$<br>$1.6\text{ V} \leq V_{TH} \leq 2.4\text{ V}$ , $I_{SOURCE} = 200\text{ }\mu\text{A}$<br>$2.5\text{ V} \leq V_{TH} \leq 4.9\text{ V}$ , $I_{SOURCE} = 500\text{ }\mu\text{A}$                                                       | $V_{OH}$ | $0.8 V_{CC}$            | –                | –                       | V                       |
| RESET Output Voltage Low (No Load) (MAX810)<br>$V_{CC} = V_{TH} + 0.2\text{ V}$<br>$1.6\text{ V} \leq V_{TH} \leq 2.0\text{ V}$ , $I_{SINK} = 0.5\text{ mA}$<br>$2.1\text{ V} \leq V_{TH} \leq 4.0\text{ V}$ , $I_{SINK} = 1.2\text{ mA}$<br>$4.1\text{ V} \leq V_{TH} \leq 4.9\text{ V}$ , $I_{SINK} = 3.2\text{ mA}$ | $V_{OL}$ | –                       | –                | 0.3                     | V                       |

Product parametric performance is indicated in the Electrical Characteristics for the listed test conditions, unless otherwise noted. Product performance may not be indicated by the Electrical Characteristics if operated under different conditions.

7. Production testing done at  $T_A = 25^{\circ}\text{C}$ , over temperature limits guaranteed by design.

8. Contact your ON Semiconductor sales representative for timeout options availability for other threshold voltage options.

# MAX809 Series, MAX810 Series

## TYPICAL OPERATING CHARACTERISTICS



Figure 4. Supply Current vs. Supply Voltage



Figure 5. Supply Current vs. Supply Voltage

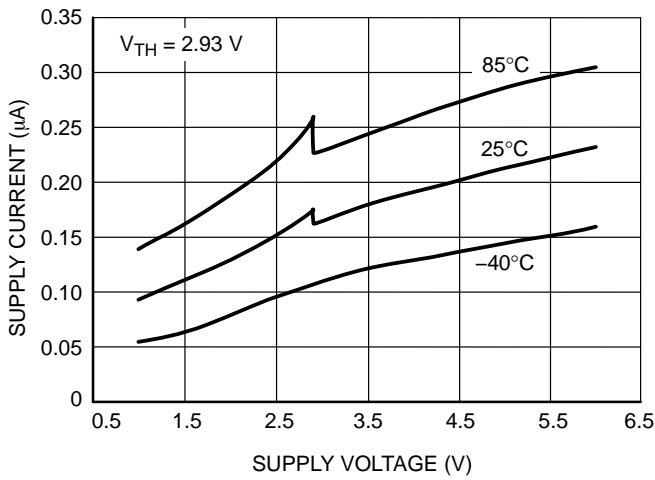


Figure 6. Supply Current vs. Supply Voltage

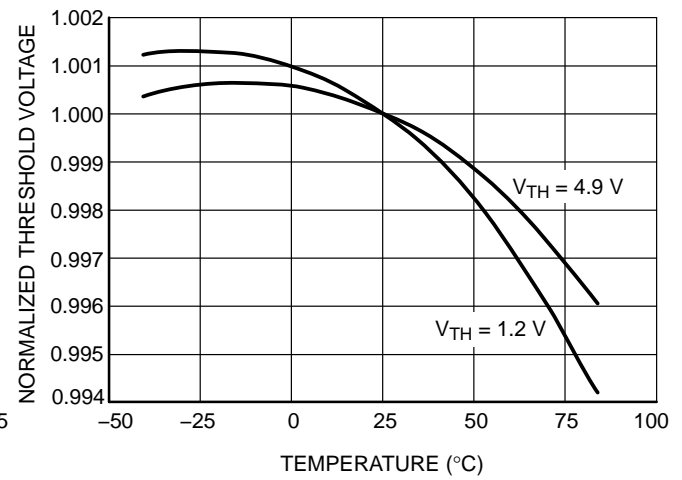


Figure 7. Normalized Reset Threshold Voltage vs. Temperature

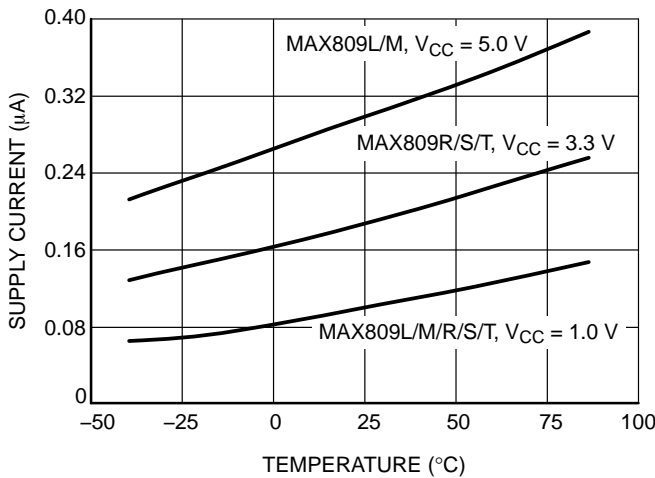


Figure 8. Supply Current vs. Temperature (No Load, MAX809)

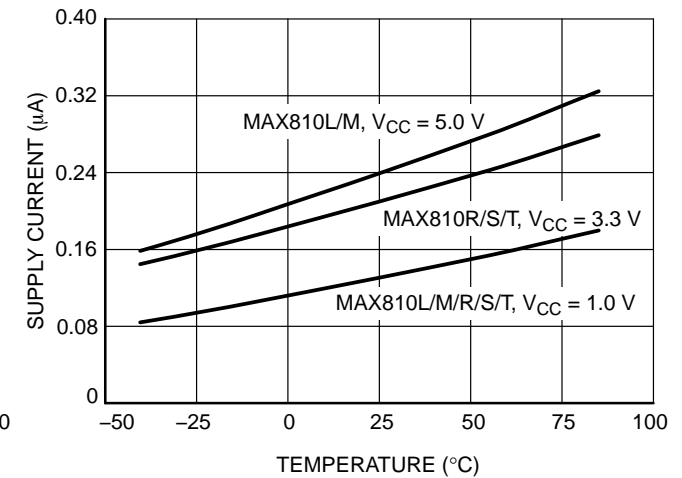


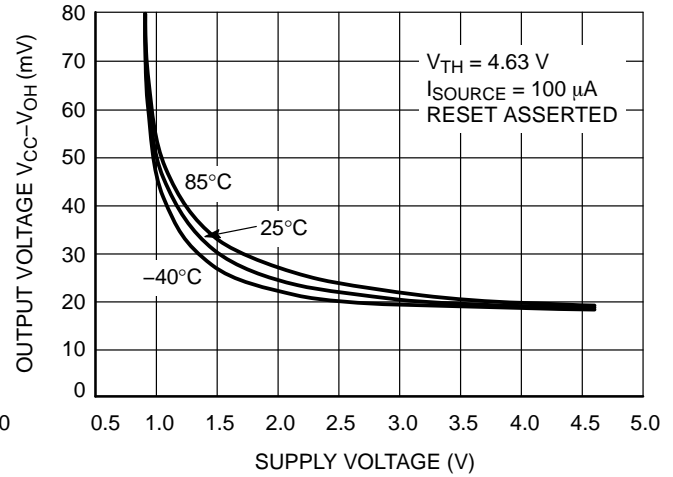
Figure 9. Supply Current vs. Temperature (No Load, MAX810)

# MAX809 Series, MAX810 Series

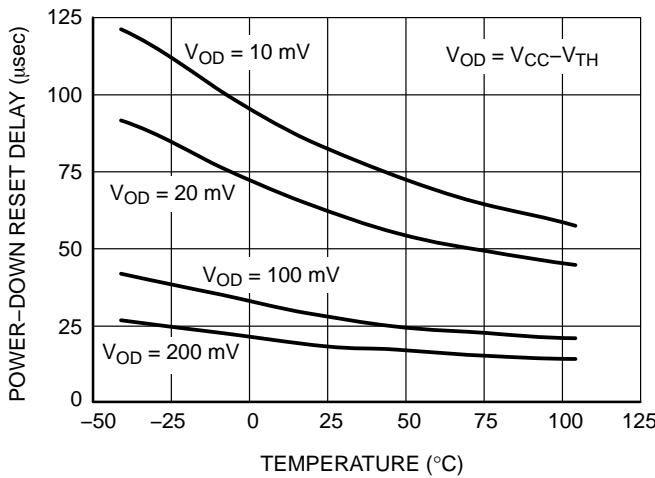
## TYPICAL OPERATING CHARACTERISTICS



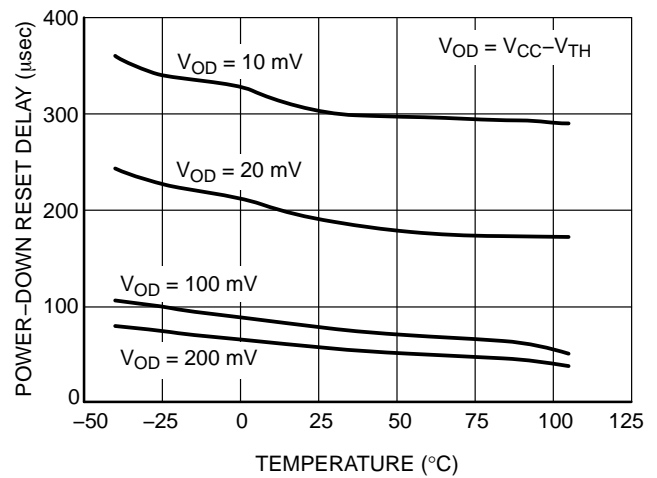
**Figure 10. Output Voltage Low vs. Supply Voltage**



**Figure 11. Output Voltage High vs. Supply Voltage**



**Figure 12. Power-Down Reset Delay vs. Temperature and Overdrive ( $V_{TH} = 1.2 V$ )**



**Figure 13. Power-Down Reset Delay vs. Temperature and Overdrive ( $V_{TH} = 4.9 V$ )**



**Figure 14. Normalized Power-Up Reset vs. Temperature**

## MAX809 Series, MAX810 Series

### Detail Operation Description

The MAX809/810 series microprocessor reset supervisory circuits are designed to monitor the power supplies in digital systems and provide a reset signal to the processor without any external components. Figure 2 shows the timing diagram and a typical application below. Initially consider that input voltage  $V_{CC}$  is at a nominal level greater than the voltage detector upper threshold ( $V_{TH+}$ ). And the  $\overline{\text{RESET}}$  (RESET) output voltage (Pin 2) will be in the high state for MAX809, or in the low state for MAX 810 devices.

If there is an input power interruption and  $V_{CC}$  becomes significantly deficient, it will fall below the lower detector threshold ( $V_{TH-}$ ). This event causes the RESET output to be in the low state for the MAX809, or in the high state for the NCP810 devices. After completion of the power interruption,  $V_{CC}$  will rise to its nominal level and become greater than the  $V_{TH}$ . This sequence activates the internal oscillator circuitry and digital counter to count. After the count of the timeout period, the reset output will revert back to the original state.



Figure 15. Timing Waveforms

## APPLICATIONS INFORMATION

### V<sub>CC</sub> Transient Rejection

The MAX809 provides accurate V<sub>CC</sub> monitoring and reset timing during power-up, power-down, and brownout/sag conditions, and rejects negative-going transients (glitches) on the power supply line. Figure 16 shows the maximum transient duration vs. maximum negative excursion (overdrive) for glitch rejection. Any combination of duration and overdrive which lies **under** the curve will **not** generate a reset signal. Combinations above the curve are detected as a brownout or power-down. Typically, transient that goes 100 mV below the reset threshold and lasts 5.0 μs or less will not cause a reset pulse. Transient immunity can be improved by adding a capacitor in close proximity to the V<sub>CC</sub> pin of the MAX809.

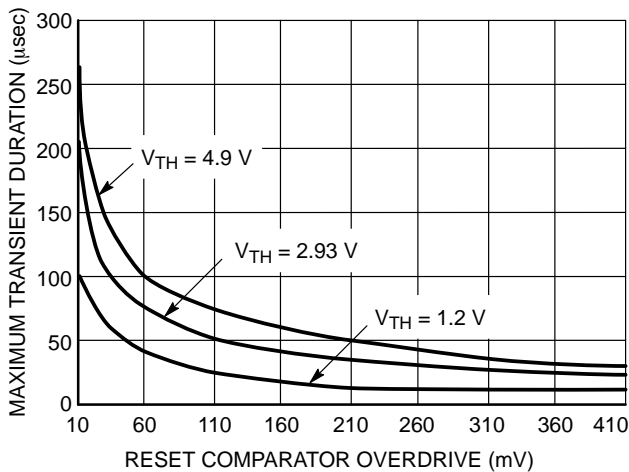
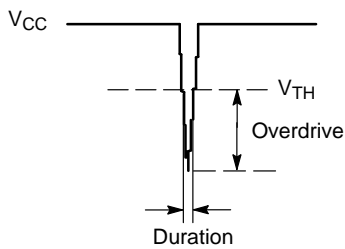


Figure 16. Maximum Transient Duration vs. Overdrive for Glitch Rejection at 25°C

### RESET Signal Integrity During Power-Down

The MAX809 RESET output is valid to V<sub>CC</sub> = 1.0 V. Below this voltage the output becomes an “open circuit” and does not sink current. This means CMOS logic inputs to the Microprocessor will be floating at an undetermined voltage. Most digital systems are completely shutdown well above this voltage. However, in situations where RESET must be

maintained valid to V<sub>CC</sub> = 0 V, a pull-down resistor must be connected from RESET to ground to discharge stray capacitances and hold the output low (Figure 17). This resistor value, though not critical, should be chosen such that it does not appreciably load RESET under normal operation (100 kΩ will be suitable for most applications).

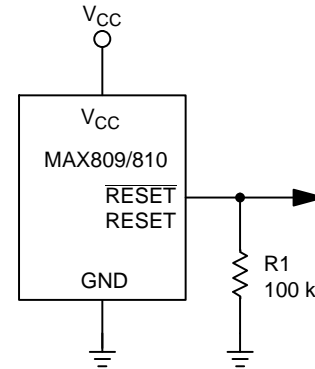


Figure 17. Ensuring RESET Valid to V<sub>CC</sub> = 0 V

### Processors With Bidirectional I/O Pins

Some Microprocessor's have bidirectional reset pins. Depending on the current drive capability of the processor pin, an indeterminate logic level may result if there is a logic conflict. This can be avoided by adding a 4.7 kΩ resistor in series with the output of the MAX809 (Figure 18). If there are other components in the system which require a reset signal, they should be buffered so as not to load the reset line. If the other components are required to follow the reset I/O of the Microprocessor, the buffer should be connected as shown with the solid line.

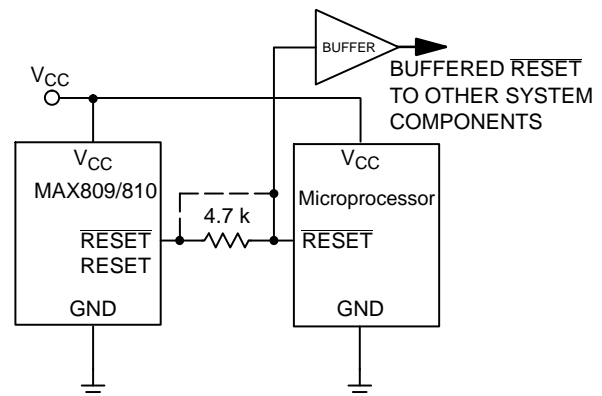


Figure 18. Interfacing to Bidirectional Reset I/O

## MAX809 Series, MAX810 Series

### ORDERING, MARKING AND THRESHOLD INFORMATION

| Part Number                         | V <sub>TH</sub> * (V) | Timeout* (ms) | Description                         | Marking | Package              | Shipping†          |
|-------------------------------------|-----------------------|---------------|-------------------------------------|---------|----------------------|--------------------|
| MAX809SN160T1G                      | 1.60                  | 140–460       | Push–Pull $\overline{\text{RESET}}$ | SAA     | SOT23–3<br>(Pb–Free) | 3000 / Tape & Reel |
| MAX809SN232T1G                      | 2.32                  | 140–460       |                                     | SQP     |                      |                    |
| MAX809RTRG                          | 2.63                  | 140–460       |                                     | SPS     |                      |                    |
| NCV809RTRG                          | 2.63                  | 140–460       |                                     | RPA     |                      |                    |
| MAX809STRG                          | 2.93                  | 140–460       |                                     | SPT     |                      |                    |
| NCV809STRG                          | 2.93                  | 140–460       |                                     | SUC     |                      |                    |
| MAX809TTRG                          | 3.08                  | 140–460       |                                     | SPU     |                      |                    |
| MAX809JTRG                          | 4.00                  | 140–460       |                                     | SPR     |                      |                    |
| MAX809MTRG                          | 4.38                  | 140–460       |                                     | SPV     |                      |                    |
| NCV809MTRG                          | 4.38                  | 140–460       |                                     | TAT     |                      |                    |
| MAX809HTRG                          | 4.55                  | 140–460       |                                     | SBD     |                      |                    |
| MAX809LTRG                          | 4.63                  | 140–460       |                                     | SPW     |                      |                    |
| NCV809LTRG                          | 4.63                  | 140–460       |                                     | STA     |                      |                    |
| MAX809SN490T1G                      | 4.90                  | 140–460       |                                     | SBH     |                      |                    |
| MAX809SN120T1G                      | 1.20                  | 140–460       |                                     | SSO     |                      |                    |
| MAX809SN293D1T1G                    | 2.93                  | 1–3.3         |                                     | SSP     |                      |                    |
| NCV809SN293D1T1G*                   |                       |               |                                     | ACT     |                      |                    |
| MAX809SN293D2T1G                    | 2.93                  | 20–66         |                                     | SSQ     |                      |                    |
| NCV809SN293D2T1G                    | 2.93                  | 20–66         |                                     | ACE     |                      |                    |
| MAX809SN293D3T1G                    | 2.93                  | 100–330       |                                     | SSR     |                      |                    |
| MAX809SQ120T1G                      | 1.20                  | 140–460       |                                     | ZD      | SC70–3<br>(Pb–Free)  | 3000 / Tape & Reel |
| MAX809SQ232T1G                      | 2.32                  | 140–460       |                                     | ZE      |                      |                    |
| MAX809SQ263T1G                      | 2.63                  | 140–460       |                                     | ZF      |                      |                    |
| MAX809SQ293T1G                      | 2.93                  | 140–460       |                                     | ZG      |                      |                    |
| NCV809SQ293T1G*<br>(In Development) |                       |               |                                     | ZH      |                      |                    |
| MAX809SQ308T1G                      | 3.08                  | 140–460       |                                     | ZI      |                      |                    |
| MAX809SQ400T1G                      | 4.00                  | 140–460       |                                     | ZJ      |                      |                    |
| MAX809SQ438T1G                      | 4.38                  | 140–460       |                                     | ZK      |                      |                    |
| MAX809SQ463T1G                      | 4.63                  | 140–460       | ZL                                  |         |                      |                    |
| MAX809SQ293D1T1G                    | 2.93                  | 1–3.3         | ZM                                  |         |                      |                    |
| MAX809SQ293D2T1G                    | 2.93                  | 20–66         |                                     |         |                      |                    |
| MAX809SQ293D3T1G                    | 2.93                  | 100–330       |                                     |         |                      |                    |

## MAX809 Series, MAX810 Series

### ORDERING, MARKING AND THRESHOLD INFORMATION

| Part Number      | V <sub>TH</sub> ** (V) | Timeout** (ms) | Description     | Marking | Package              | Shipping†          |
|------------------|------------------------|----------------|-----------------|---------|----------------------|--------------------|
| MAX810RTRG       | 2.63                   | 140–460        | Push–Pull RESET | SPX     | SOT23–3<br>(Pb–Free) | 3000 / Tape & Reel |
| MAX810STRG       | 2.93                   | 140–460        |                 | SPY     |                      |                    |
| MAX810TTRG       | 3.08                   | 140–460        |                 | SPZ     |                      |                    |
| MAX810MTRG       | 4.38                   | 140–460        |                 | SQA     |                      |                    |
| MAX810LTRG       | 4.63                   | 140–460        |                 | SQB     |                      |                    |
| MAX810SN120T1G   | 1.20                   | 140–460        |                 | SSS     |                      |                    |
| MAX810SN293D1T1G | 2.93                   | 1–3.3          |                 | SST     |                      |                    |
| MAX810SN293D2T1G | 2.93                   | 20–66          |                 | SSU     |                      |                    |
| MAX810SN293D3T1G | 2.93                   | 100–330        |                 | SSZ     |                      |                    |
| MAX810SQ120T1G   | 1.20                   | 140–460        |                 | ZN      |                      |                    |
| MAX810SQ263T1G   | 2.63                   | 140–460        |                 | ZO      |                      |                    |
| MAX810SQ270T1G   | 2.70                   | 20–66          |                 | ZB      |                      |                    |
| MAX810SQ293T1G   | 2.93                   | 140–460        |                 | ZP      |                      |                    |
| MAX810SQ400T1G   | 4.00                   | 20–66          |                 | ZC      |                      |                    |
| MAX810SQ438T1G   | 4.38                   | 140–460        |                 | ZQ      |                      |                    |
| MAX810SQ463T1G   | 4.63                   | 140–460        |                 | ZR      |                      |                    |
| MAX810SQ293D1T1G | 2.93                   | 1–3.3          |                 | ZS      |                      |                    |
| MAX810SQ293D2T1G | 2.93                   | 20–66          |                 | ZT      |                      |                    |
| MAX810SQ293D3T1G | 2.93                   | 100–330        |                 | ZU      |                      |                    |

†For information on tape and reel specifications, including part orientation and tape sizes, please refer to our Tape and Reel Packaging Specifications Brochure, BRD8011/D.

\*NCV Prefix for Automotive and Other Applications Requiring Unique Site and Control Change Requirements; AEC–Q100 Qualified and PPAP Capable.

\*\*Contact your ON Semiconductor sales representative for other threshold voltage options.

# MAX809 Series, MAX810 Series

## PACKAGE DIMENSIONS

SOT-23 (TO-236)  
CASE 318-08  
ISSUE AR

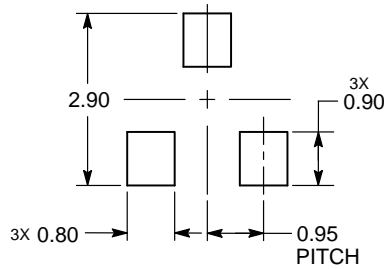


**NOTES:**

1. DIMENSIONING AND TOLERANCING PER ASME Y14.5M, 1994.
2. CONTROLLING DIMENSION: MILLIMETERS.
3. MAXIMUM LEAD THICKNESS INCLUDES LEAD FINISH. MINIMUM LEAD THICKNESS IS THE MINIMUM THICKNESS OF THE BASE MATERIAL.
4. DIMENSIONS D AND E DO NOT INCLUDE MOLD FLASH, PROTRUSIONS, OR GATE BURRS.

| DIM | MILLIMETERS |      |      | INCHES |       |       |
|-----|-------------|------|------|--------|-------|-------|
|     | MIN         | NOM  | MAX  | MIN    | NOM   | MAX   |
| A   | 0.89        | 1.00 | 1.11 | 0.035  | 0.039 | 0.044 |
| A1  | 0.01        | 0.06 | 0.10 | 0.000  | 0.002 | 0.004 |
| b   | 0.37        | 0.44 | 0.50 | 0.015  | 0.017 | 0.020 |
| c   | 0.08        | 0.14 | 0.20 | 0.003  | 0.006 | 0.008 |
| D   | 2.80        | 2.90 | 3.04 | 0.110  | 0.114 | 0.120 |
| E   | 1.20        | 1.30 | 1.40 | 0.047  | 0.051 | 0.055 |
| e   | 1.78        | 1.90 | 2.04 | 0.070  | 0.075 | 0.080 |
| L   | 0.30        | 0.43 | 0.55 | 0.012  | 0.017 | 0.022 |
| L1  | 0.35        | 0.54 | 0.69 | 0.014  | 0.021 | 0.027 |
| HE  | 2.10        | 2.40 | 2.64 | 0.083  | 0.094 | 0.104 |
| T   | 0°          | ---  | 10°  | 0°     | ---   | 10°   |

### RECOMMENDED SOLDERING FOOTPRINT\*



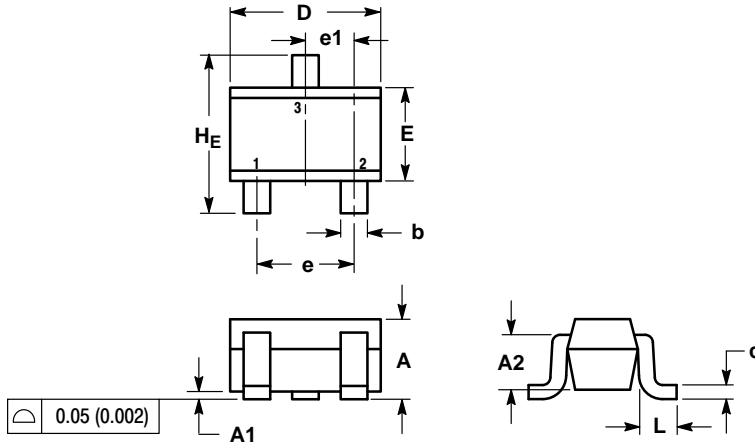
DIMENSIONS: MILLIMETERS

\*For additional information on our Pb-Free strategy and soldering details, please download the ON Semiconductor Soldering and Mounting Techniques Reference Manual, SOLDERRM/D.

# MAX809 Series, MAX810 Series

## PACKAGE DIMENSIONS

SC-70 (SOT-323)  
CASE 419-04  
ISSUE N

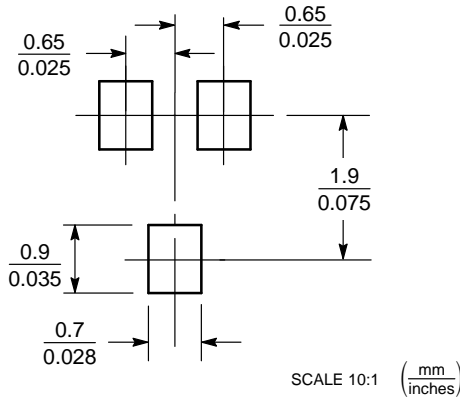


NOTES:

1. DIMENSIONING AND TOLERANCING PER ANSI Y14.5M, 1982.
2. CONTROLLING DIMENSION: INCH.

| DIM | MILLIMETERS |      |      | INCHES    |       |       |
|-----|-------------|------|------|-----------|-------|-------|
|     | MIN         | NOM  | MAX  | MIN       | NOM   | MAX   |
| A   | 0.80        | 0.90 | 1.00 | 0.032     | 0.035 | 0.040 |
| A1  | 0.00        | 0.05 | 0.10 | 0.000     | 0.002 | 0.004 |
| A2  | 0.70 REF    |      |      | 0.028 REF |       |       |
| b   | 0.30        | 0.35 | 0.40 | 0.012     | 0.014 | 0.016 |
| c   | 0.10        | 0.18 | 0.25 | 0.004     | 0.007 | 0.010 |
| D   | 1.80        | 2.10 | 2.20 | 0.071     | 0.083 | 0.087 |
| E   | 1.15        | 1.24 | 1.35 | 0.045     | 0.049 | 0.053 |
| e   | 1.20        | 1.30 | 1.40 | 0.047     | 0.051 | 0.055 |
| e1  | 0.65 BSC    |      |      | 0.026 BSC |       |       |
| L   | 0.20        | 0.38 | 0.56 | 0.008     | 0.015 | 0.022 |
| HE  | 2.00        | 2.10 | 2.40 | 0.079     | 0.083 | 0.095 |

### SOLDERING FOOTPRINT\*



\*For additional information on our Pb-Free strategy and soldering details, please download the ON Semiconductor Soldering and Mounting Techniques Reference Manual, SOLDERRM/D.

ON Semiconductor and are trademarks of Semiconductor Components Industries, LLC dba ON Semiconductor or its subsidiaries in the United States and/or other countries. ON Semiconductor owns the rights to a number of patents, trademarks, copyrights, trade secrets, and other intellectual property. A listing of ON Semiconductor's product/patent coverage may be accessed at [www.onsemi.com/site/pdf/Patent-Marking.pdf](http://www.onsemi.com/site/pdf/Patent-Marking.pdf). ON Semiconductor reserves the right to make changes without further notice to any products herein. ON Semiconductor makes no warranty, representation or guarantee regarding the suitability of its products for any particular purpose, nor does ON Semiconductor assume any liability arising out of the application or use of any product or circuit, and specifically disclaims any and all liability, including without limitation special, consequential or incidental damages. Buyer is responsible for its products and applications using ON Semiconductor products, including compliance with all laws, regulations and safety requirements or standards, regardless of any support or applications information provided by ON Semiconductor. "Typical" parameters which may be provided in ON Semiconductor data sheets and/or specifications can and do vary in different applications and actual performance may vary over time. All operating parameters, including "Typicals" must be validated for each customer application by customer's technical experts. ON Semiconductor does not convey any license under its patent rights nor the rights of others. ON Semiconductor products are not designed, intended, or authorized for use as a critical component in life support systems or any FDA Class 3 medical devices or medical devices with a same or similar classification in a foreign jurisdiction or any devices intended for implantation in the human body. Should Buyer purchase or use ON Semiconductor products for any such unintended or unauthorized application, Buyer shall indemnify and hold ON Semiconductor and its officers, employees, subsidiaries, affiliates, and distributors harmless against all claims, costs, damages, and expenses, and reasonable attorney fees arising out of, directly or indirectly, any claim of personal injury or death associated with such unintended or unauthorized use, even if such claim alleges that ON Semiconductor was negligent regarding the design or manufacture of the part. ON Semiconductor is an Equal Opportunity/Affirmative Action Employer. This literature is subject to all applicable copyright laws and is not for resale in any manner.

### PUBLICATION ORDERING INFORMATION

**LITERATURE FULFILLMENT:**  
Literature Distribution Center for ON Semiconductor  
19521 E. 32nd Pkwy, Aurora, Colorado 80011 USA  
**Phone:** 303-675-2175 or 800-344-3860 Toll Free USA/Canada  
**Fax:** 303-675-2176 or 800-344-3867 Toll Free USA/Canada  
**Email:** [orderlit@onsemi.com](mailto:orderlit@onsemi.com)

**N. American Technical Support:** 800-282-9855 Toll Free  
USA/Canada  
**Europe, Middle East and Africa Technical Support:**  
Phone: 421 33 790 2910  
**Japan Customer Focus Center**  
Phone: 81-3-5817-1050

**ON Semiconductor Website:** [www.onsemi.com](http://www.onsemi.com)  
**Order Literature:** <http://www.onsemi.com/orderlit>  
For additional information, please contact your local Sales Representative

## Looking for pricing, stock, or lifecycle information?

Click below to explore more details on WIN SOURCE:

 [View MAX810SQ293D2T1G on WIN SOURCE](#)

 [ON Semiconductor](#) Information

## Optimize Your Supply Chain with WIN SOURCE Solutions

-  Global Sourcing Solution
-  Obsolete Management
-  Cost Control Management
-  Shortage Management
-  Alternative Solution
-  Excess Inventory Management