



**THE DATASHEET OF  
FOXLF080-20**





# Resistance Weld Thru-Hole Crystal

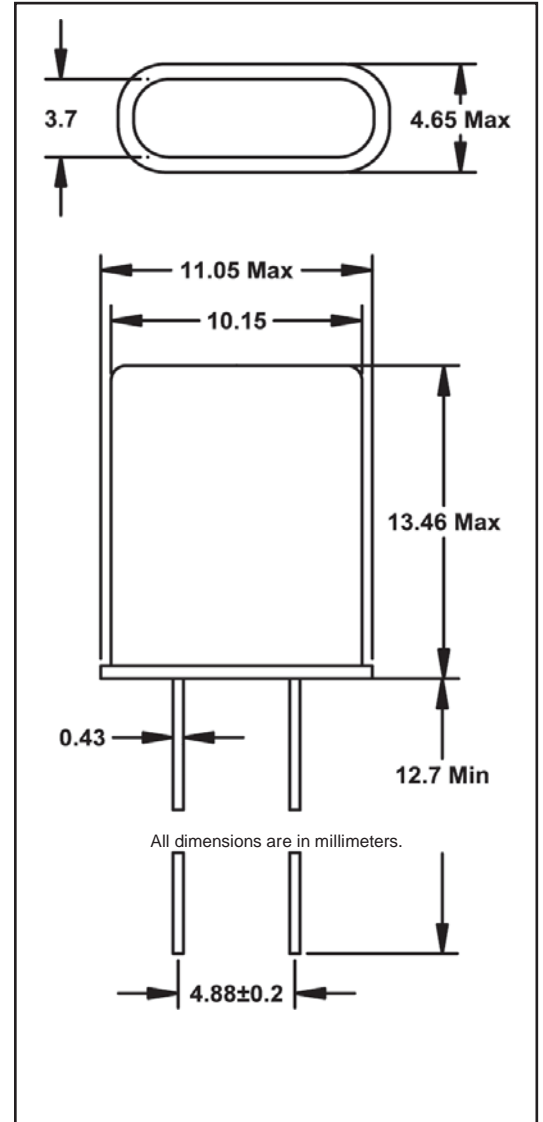
Product End of Life (EOL) See PCN539.pdf

**C4UT**  
(Former HC49ULF)  
**DATASHEET**

- Tolerances down to 10 PPM
- Stabilities down to 10 PPM
- Temperature Ranges as wide as -40°C to +85°C

## • C4UT STANDARD SPECIFICATIONS

PARAMETERS	MAX (unless otherwise noted)
Frequency Range	3.579545 ~ 180.000 MHz
Frequency Tolerance @ 25°C	(See options on page 2)
Frequency Stability, ref @ 25°C Over Operating Temp Range	(See options below)
Temperature Range	
Operating (T <sub>OPR</sub> )	(See options below)
Storage (T <sub>STG</sub> )	-40°C ~ +85°C
Shunt Capacitance (C <sub>o</sub> )	7.0 pF
Load Capacitance (C <sub>L</sub> )	(See options on page 2)
Drive Level	1.0 mW
Aging per year	±5 PPM
Termination Finish	Sn/3.0Ag/0.5Cu
Seal Method	Resistance Weld
Lead (Pb) Free	Yes
RoHS Compliant	Yes



Frequency Range (MHz)	Operating Mode	Max ESR Ω
3.579545 ~ 3.700	Fundamental	120
>3.700 ~ 4.200	Fundamental	100
>4.200 ~ 4.900	Fundamental	70
>4.900 ~ 5.000	Fundamental	55
>5.000 ~ 6.000	Fundamental	50
>6.000 ~ 8.000	Fundamental	40
>8.000 ~ 10.000	Fundamental	35
>10.000 ~ 12.500	Fundamental	30
>12.500 ~ 16.000	Fundamental	25
>16.000 ~ 30.000	Fundamental	20
23.000 ~ 96.000	3rd OT	40
60.000 ~ 140.000	5th OT	80
110.000 ~ 180.000	7th OT	120

## • Available Operating Temperatures and Stabilities\*

Operating Temperature	±10 PPM	±15 PPM	±20 PPM	±25 PPM	±30 PPM	±50 PPM
-10°C to +60°C	O	O	O	O	O	O
-20°C to +70°C	O	O	O	O	O	O
-40°C to +85°C	X	O	O	O	O	O

Key: O=Available, X=Not Available  
\*Does not imply a stocked part.



<b>Title / Description:</b> C4UT STANDARD SPECIFICATIONS			
<b>Drawing Number:</b> 101159		<b>Size:</b> A	
<b>Part Number:</b>		<b>Cage:</b> 61429	
<b>Draftsperson:</b> CMR	<b>Approved:</b> BEC	<b>Revision Date:</b> 09/05/2017	



**Available Options & Part Identification for Thru-Hole Crystal C4UT\***  
**F C4UT C B M F 16.0**

<b>F</b>	<b>C4UT</b>	<b>C</b>	<b>B</b>	<b>M</b>	<b>F</b>	<b>16.0</b>
<b>FOX</b>	<b>Model Number</b>	<b>Tolerance</b> B=50ppm <b>C=30ppm</b> D=25ppm E=20ppm F=15ppm H=10ppm	<b>Stability</b> <b>B=50ppm</b> C=30ppm D=25ppm E=20ppm F=15ppm H=10ppm	<b>Load Capacitance</b> A=Series E=10pF G=12pF U=13pF L=18pF <b>M=20pF</b> N=22pF Q=30pF R=32pF S=33pF	<b>Operating Temperature</b> D=-10 to +60C <b>F=-20 to +70C</b> M=-40 to +85C	<b>Frequency (MHz)</b>

\*Not all frequency, tolerance, stability, load, and operating temperature combinations may be available.

<b>• C4UT (former HC49ULF) Standard Crystals</b>					
<b>Part Number</b>	<b>Frequency</b>	<b>Tolerance</b>	<b>Stability</b>	<b>Temp Range</b>	<b>CL</b>
FOXLF036S	3.579545	± 30 ppm	± 50 ppm	-20 to +70 C	18pF
FOXLF0368S	3.686400	± 30 ppm	± 50 ppm	-20 to +70 C	Series
FOXLF0368-20	3.686400	± 30 ppm	± 50 ppm	-20 to +70 C	20pF
FOXLF040A	4.000000	± 30 ppm	± 50 ppm	-20 to +70 C	Series
FOXLF040	4.000000	± 30 ppm	± 50 ppm	-20 to +70 C	20pF
FOXLF080-20	8.000000	± 30 ppm	± 50 ppm	-20 to +70 C	20pF
FOXLF100-20	10.000000	± 30 ppm	± 50 ppm	-20 to +70 C	20pF
FOXLF115	11.059200	± 30 ppm	± 50 ppm	-20 to +70 C	Series
FOXLF115-20	11.059200	± 30 ppm	± 50 ppm	-20 to +70 C	20pF
FOXLF120	12.000000	± 30 ppm	± 50 ppm	-20 to +70 C	Series
FOXLF120-20	12.000000	± 30 ppm	± 50 ppm	-20 to +70 C	20pF
FOXLF160	16.000000	± 30 ppm	± 50 ppm	-20 to +70 C	Series
FOXLF160-20	16.000000	± 30 ppm	± 50 ppm	-20 to +70 C	20pF
FOXLF200-20	20.000000	± 30 ppm	± 50 ppm	-20 to +70 C	20pF
FOXLF250F-20	25.000000	± 30 ppm	± 50 ppm	-20 to +70 C	20pF



# Resistance Weld Thru-Hole Crystal

# C4UT (Former HC49ULF) DATASHEET



Corporate  
Headquarters  
5570 Enterprise Parkway  
Fort Myers, FL 33905  
<http://www.FOXONLINE.com>

Sales  
1-888-GET-2-FOX (1-888-438-2369) or  
1-239-693-0099  
<http://www.FOXONLINE.com/repdisty>

Tech Support  
<http://www.FOXONLINE.com/email>

PRODUCT USE: Fox Electronics reserves the right to modify the products and/or specifications described herein at any time and at Fox Electronics' sole discretion. All information in this document, including descriptions of product features and performance, is subject to change without notice. Performance specifications and the operating parameters of the described products are determined in the independent state and are not guaranteed to perform the same way when installed in customer products. The information contained herein is provided without representation or warranty of any kind, whether express or implied, including, but not limited to, the suitability of Fox Electronics' products for any particular purpose, an implied warranty of merchantability, or non-infringement of the intellectual property rights of others. This document is presented only as a guide and does not convey any license under intellectual property rights of Fox Electronics or any third parties. Fox Electronics' products are not intended for use in applications involving extreme environmental conditions or in life support systems or similar devices where the failure or malfunction of a Fox Electronics product can be reasonably expected to significantly affect the health or safety of users. Anyone using a Fox Electronics product in such a manner does so at their own risk, absent an express, written agreement by Fox Electronics.

Fox Electronics and the Fox logo are registered trademarks of Fox Electronics. Product specification is subject to change without notice. Other trademarks and service marks used herein, including protected names, logos and designs, are the property of Fox Electronics or their respective third party owners.

For datasheet type definitions and a glossary of common terms, visit <http://www.foxonline.com/tgcrystals.html>.

	<b>Title / Description:</b> C4UT STANDARD SPECIFICATIONS		
	<b>Drawing Number:</b> 101159		<b>Size:</b> A
	<b>Part Number:</b>		<b>Cage:</b> 61429
	<b>Draftsperson:</b> CMR	<b>Approved:</b> BEC	<b>Revision Date:</b> 09/05/2017

## Looking for pricing, stock, or lifecycle information?

Click below to explore more details on WIN SOURCE:

 [View FOXLF080-20 on WIN SOURCE](#)

 [Fox Electronics](#) Information

## Optimize Your Supply Chain with WIN SOURCE Solutions

-  Global Sourcing Solution
-  Obsolete Management
-  Cost Control Management
-  Shortage Management
-  Alternative Solution
-  Excess Inventory Management