



**THE DATASHEET OF  
CDR125NP-220MC**

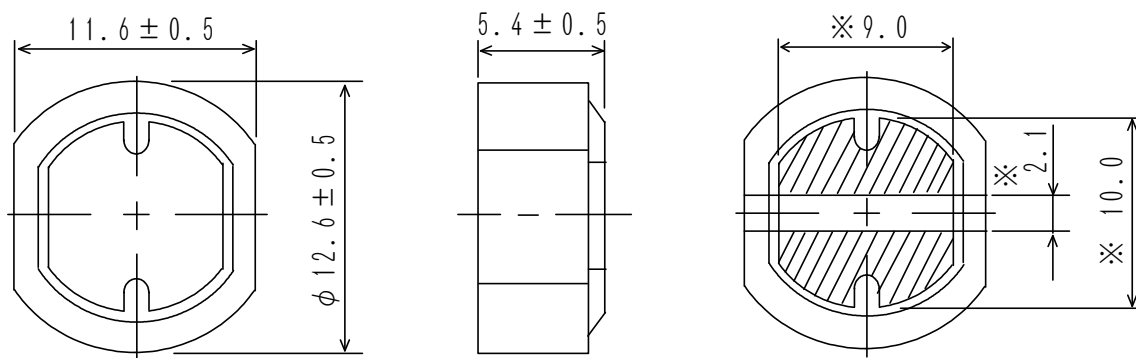
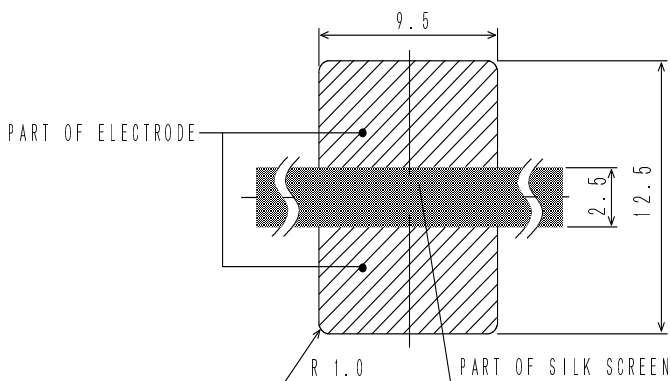


**Type: CDR125**
**◆ Product Description**

- 13.1 × 12.1mm Max.(L×W), 5.9mm Max. Height.
- Inductance range: 10~820 μ H.
- Rated current range: 0.36~2.65A .
- In addition to the standards versions shown here, custom inductors are also available to meet your exact requirements.


**◆ Feature**

- Magnetically shielded construction.
- Storage temperature range: -40°C ~+100°C.
- Operating temperature range: -40°C ~+100°C (Including coil's self temperature rise).
- Ideally used in Notebook PC ,LCD TV ,Game machine ,HDD,DSC/DVC, etc as DC-DC converter inductors.
- RoHS compliance.

**◆ Dimensions (mm)**

**◆ Land Pattern (mm)**


**Type: CDR125**
**◆ Specification**

| Part name      | Stamp | Inductance<br>( $\mu$ H) ※1 | D.C.R.( $\Omega$ )<br>[Max.]<br>(at 20°C) | Rated Current<br>(A) ※2 | S.R.F. (MHz)<br>[Typ.] |
|----------------|-------|-----------------------------|---|-------------------------|------------------------|
| CDR125NP-100M□ | 100M  | 10±20%                      | 0.05                                      | 2.65                    | 24.2                   |
| CDR125NP-120M□ | 120M  | 12±20%                      | 0.05                                      | 2.50                    | 21.2                   |
| CDR125NP-150M□ | 150M  | 15±20%                      | 0.06                                      | 2.45                    | 18.9                   |
| CDR125NP-180M□ | 180M  | 18±20%                      | 0.06                                      | 2.40                    | 16.1                   |
| CDR125NP-220M□ | 220M  | 22 +20% / -15%              | 0.07                                      | 2.20                    | 15.2                   |
| CDR125NP-270M□ | 270M  | 27 +20% / -15%              | 0.08                                      | 2.00                    | 13.9                   |
| CDR125NP-330M□ | 330M  | 33 +20% / -15%              | 0.10                                      | 1.80                    | 12.8                   |
| CDR125NP-390M□ | 390M  | 39 +20% / -15%              | 0.11                                      | 1.65                    | 11.6                   |
| CDR125NP-470M□ | 470M  | 47 +20% / -15%              | 0.12                                      | 1.50                    | 10.4                   |
| CDR125NP-560M□ | 560M  | 56 +20% / -15%              | 0.15                                      | 1.38                    | 9.12                   |
| CDR125NP-680M□ | 680M  | 68 +20% / -15%              | 0.17                                      | 1.26                    | 8.50                   |
| CDR125NP-820M□ | 820M  | 82 +20% / -15%              | 0.20                                      | 1.14                    | 7.85                   |
| CDR125NP-101M□ | 101M  | 100 +20% / -15%             | 0.25                                      | 1.05                    | 6.92                   |
| CDR125NP-121M□ | 121M  | 120 +20% / -15%             | 0.28                                      | 0.95                    | 6.34                   |
| CDR125NP-151M□ | 151M  | 150 +20% / -15%             | 0.40                                      | 0.85                    | 5.55                   |
| CDR125NP-181M□ | 181M  | 180 +20% / -15%             | 0.48                                      | 0.77                    | 5.10                   |
| CDR125NP-221M□ | 221M  | 220 +20% / -15%             | 0.52                                      | 0.70                    | 4.51                   |
| CDR125NP-271M□ | 271M  | 270 +20% / -15%             | 0.70                                      | 0.63                    | 4.37                   |
| CDR125NP-331M□ | 331M  | 330 +20% / -15%             | 0.80                                      | 0.57                    | 3.90                   |
| CDR125NP-391M□ | 391M  | 390 +20% / -15%             | 1.08                                      | 0.52                    | 3.55                   |
| CDR125NP-471M□ | 471M  | 470 +20% / -15%             | 1.20                                      | 0.48                    | 3.25                   |
| CDR125NP-561M□ | 561M  | 560 +20% / -15%             | 1.34                                      | 0.44                    | 2.94                   |
| CDR125NP-681M□ | 681M  | 680 +20% / -15%             | 1.78                                      | 0.40                    | 2.64                   |
| CDR125NP-821M□ | 821M  | 820 +20% / -15%             | 2.00                                      | 0.36                    | 2.42                   |

**※ Description of part name**

CDR125NP-100M□  
└─ B Box  
└─ C Carrier Tape



※1: Measuring frequency: 10  $\mu$  H ~ 82  $\mu$  H ; at 2.52 MHz

100  $\mu$  H ~ 820  $\mu$  H ; at 1 kHz

※2: Rated current: The D.C. current at which the inductance decreases to 75%(10  $\mu$  H~18  $\mu$  H) and 80% (22  $\mu$  H~820  $\mu$  H) of it's initial value or when  $\Delta t=40^{\circ}\text{C}$ , whichever is lower( $T_a=20^{\circ}\text{C}$ ).

## Looking for pricing, stock, or lifecycle information?

Click below to explore more details on WIN SOURCE:

-  [View CDR125NP-220MC on WIN SOURCE](#)
-  [Sumida America Components Inc. Information](#)

## Optimize Your Supply Chain with WIN SOURCE Solutions

-  Global Sourcing Solution
-  Obsolete Management
-  Cost Control Management
-  Shortage Management
-  Alternative Solution
-  Excess Inventory Management