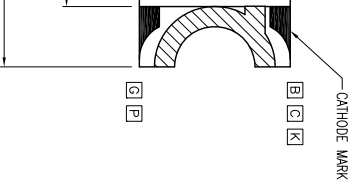
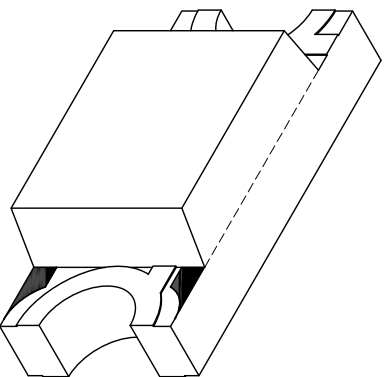




**THE DATASHEET OF
SML-LX1206SRC-TR**



PART NUMBER	SML-LX1206SRC-TR	REV.	P
DATE	E.C.N. NUMBER AND REVISION COMMENTS	REV.	---
--	FOR PREVIOUS REVISIONS SEE PG. 2.		
01.07.08	E.C.N. #11466.		K
05.16.08	E.C.N. #11509.		L
03.09.08	E.C.N. #11508.		M
07.19.10	E.C.N. #11644.		N
04.20.11	E.C.N. #10BRDR & REDRAWN.		O
08.08.12	E.C.N. #11829.		P



E L

ELECTRO-OPTICAL CHARACTERISTICS $I_a=20mA$

PARAMETER	MIN	TPP	MAX	UNITS	TEST COND
PEAK WAVELENGTH		660		nm	
FORWARD VOLTAGE		1.7	2.2	Vf	$I_f=100\mu A$
REVERSE VOLTAGE	5.0			Vr	$I_f=20mA$
AXIAL INTENSITY		25		med	
VIEWING ANGLE		140		2x theta	
EMITTED COLOR:		RED			
LENS FINISH:		WATER CLEAR			

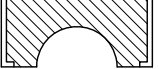
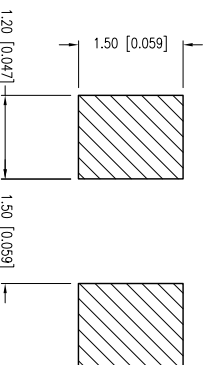
[N] LIMITS OF SAFE OPERATION AT 25°C

PARAMETER	MAX	UNITS
PEAK FORWARD CURRENT*	100	mA
STEADY CURRENT	30	mA
POWER DISSIPATION	80	mW
DERATE FROM 25°C	-1.2	mW/°C
OPERATING TEMP.	-40 TO +85	°C
STORAGE TEMP.	-40 TO +85	°C

* <10µS

[M] **[H]** CAUTION: MOISTURE SENSITIVE DEVICE
PER JEDEC LEVEL 2 STANDARDS

[B] **[X]** RECOMMENDED SOLDER PAD LAYOUT



X±1 (+0.039), X-X±0.5 (+0.020), XX±0.25 (+0.010), XXX±0.127 (+0.005), LEAD SIZE±0.05 (+0.002), LEAD LENGTH±0.75 (+0.030), MIN±0.001, DECIMAL PRECISION

HELEN ROAD
E. I. L 60067-6976
+1.847.359.2790
WWW.LUMEX.COM

QUASARBRITE 3.2mm x 1.6mm PCB SURFACE MOUNT LED, 660nm RED, WATER CLEAR, TAPE & REEL.

THE SPECIFICATIONS MAY CHANGE AT ANY TIME WITHOUT NOTICE DUE TO NEW MATERIALS OR PRODUCT IMPROVEMENT.

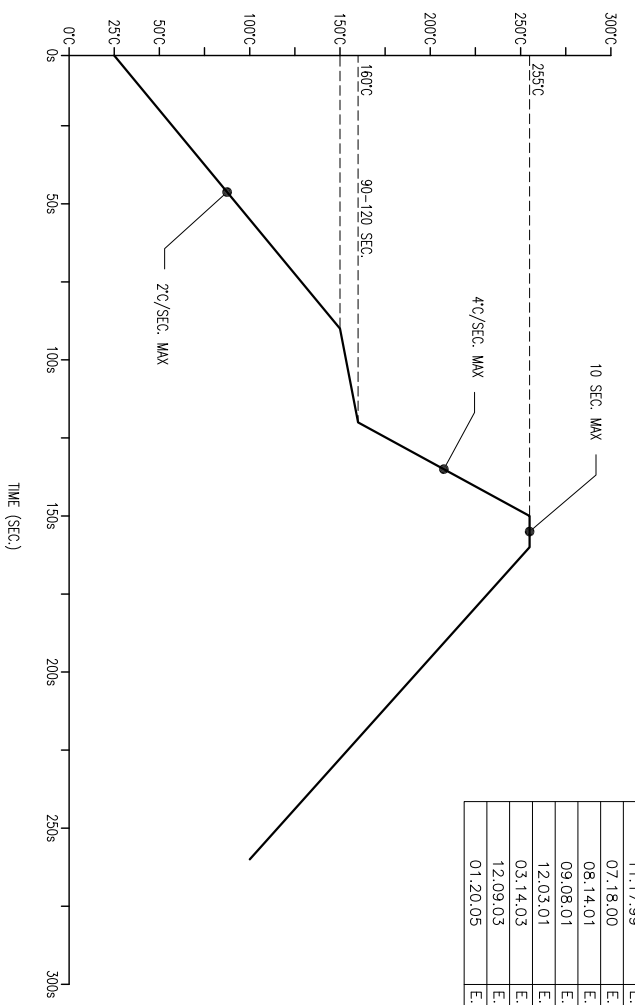
CONFIDENTIAL INFORMATION
THE INFORMATION CONTAINED IN THIS DOCUMENT IS THE PROPERTY OF LUMEX INC. EXCEPT AS SPECIFICALLY AUTHORIZED IN WRITING BY LUMEX INC., THE HOLDER OF THIS DOCUMENT SHALL KEEP ALL INFORMATION CONTAINED HEREIN CONFIDENTIAL AND SHALL PROTECT SAME IN WHOLE OR IN PART FROM DISCLOSURE AND DISSEMINATION TO ALL THIRD PARTIES.

UNCONTROLLED DOCUMENT

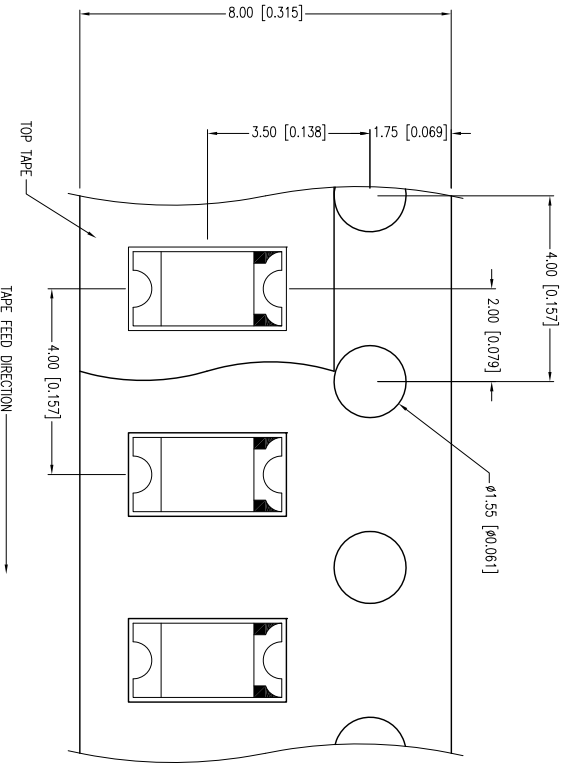
DATE:	04.20.11	DRAWN BY:	AB
PAGE:	1 OF 2	CHKD BY:	KF
SCALE:	NTS	APRVD BY:	KF
UNIT:	mm [INCH]		

(P)

PART NUMBER	SML-LX1206SRC-TR	REV.	P
DATE	E.C.N. NUMBER AND REVISION COMMENTS		REV.
11.01.95	ADDED TAPE DIRECTION AND POLARITY		A
12.18.97	E.C.N. #10BRDR. & #10404.		B
11.17.99	E.C.N. #10566, ADDED REFLOW PROFILE.		C
07.18.00	E.C.N. #10644. & REDRAWN IN 3D.		D
09.08.01	E.C.N. #10775.		E
08.14.01	E.C.N. #10784.		F
12.03.01	E.C.N. #10814.		G
03.14.03	E.C.N. #10967.		H
12.09.03	E.C.N. #11065.		I
01.20.05	E.C.N. #11148.		J



TOTAL TIME ABOVE 220C IS 60 SECONDS MAX.



NOTES:
1. THE CATHODE MARK IS ORIENTED TOWARDS THE TAPE SPROCKET HOLE.

Looking for pricing, stock, or lifecycle information?

Click below to explore more details on WIN SOURCE:

- ⊖ [View SML-LX1206SRC-TR on WIN SOURCE](#)
- ⊖ [Lumex Opto/Components Inc. Information](#)

Optimize Your Supply Chain with WIN SOURCE Solutions

- ✓ Global Sourcing Solution
- ✓ Obsolete Management
- ✓ Cost Control Management
- ✓ Shortage Management
- ✓ Alternative Solution
- ✓ Excess Inventory Management