



THE DATASHEET OF CA3280E



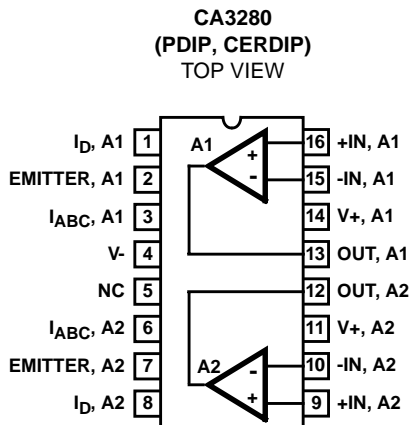
Dual, 9MHz, Operational Transconductance Amplifier (OTA)

The CA3280 and CA3280A types consist of two variable operational amplifiers that are designed to substantially reduce the initial input offset voltage and the offset voltage variation with respect to changes in programming current. This design results in reduced "AGC thump," an objectionable characteristic of many AGC systems. Interdigitation, or crosscoupling, of critical portions of the circuit reduces the amplifier dependence upon thermal and processing variables.

The CA3280 has all the generic characteristics of an operational voltage amplifier except that the forward transfer characteristics is best described by transconductance rather than voltage gain, and the output is current, not voltage. The magnitude of the output current is equal to the product of transconductance and the input voltage. This type of operational transconductance amplifier was first introduced in 1969, and it has since gained wide acceptance as a gateable, gain controlled building block for instrumentation and audio applications, such as linearization of transducer outputs, standardization of widely changing signals for data processing, multiplexing, instrumentation amplifiers operating from the nanowatt range to high current and high speed comparators.

For additional application information on this device and on OTAs in general, please refer to Application Notes: AN6818, AN6668, and AN6077.

Pinout



Features

- Low Initial Input Offset Voltage: 500 μ V (Max) (CA3280A)
- Low Offset Voltage Change vs I_{ABC}: <500 μ V (Typ) for All Types
- Low Offset Voltage Drift: 5 μ V/ $^{\circ}$ C (Max) (CA3280A)
- Excellent Matching of the Two Amplifiers for All Characteristics
- Internal Current-Driven Linearizing Diodes Reduce the External Input Current to an Offset Component
- Flexible Supply Voltage Range. \pm 2V to \pm 15V

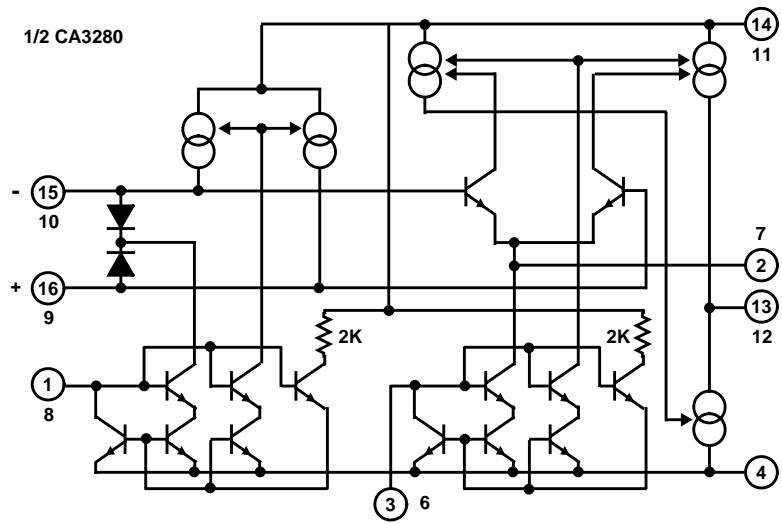
Applications

- Voltage Controlled Amplifiers
- Voltage Controlled Oscillators
- Multipliers
- Demodulators
- Sample and Hold
- Instrumentation Amplifiers
- Function Generators
- Triangle Wave-to-Sine Wave Converters
- Comparators
- Audio Preamplifier

Ordering Information

PART NUMBER	TEMP. RANGE ($^{\circ}$ C)	PACKAGE	PKG. NO.
CA3280AE	-55 to 125	16 Ld PDIP	E16.3
CA3280E	0 to 70	16 Ld PDIP	E16.3
CA3280AF3	-55 to 125	16 Ld Cerdip	F16.3

Functional Diagram



CA3280, CA3280A

Absolute Maximum Ratings

Supply Voltage (Between V+ and V-)	+36V
Differential Input Voltage	5V
Input Voltage Range	V+ to V-
Input Current at $I_D = 0$	100 μ A
Amplifier Bias Current (I_{ABC})	10mA
Output Short Circuit Duration (Note 2)	Indefinite
Linearizing Diode Bias Current, I_D	5mA
Peak Input Current with Linearizing Diode	$\pm I_D$

Thermal Information

Thermal Resistance (Typical, Note 1)	θ_{JA} ($^{\circ}$ C/W)	θ_{JC} ($^{\circ}$ C/W)
CERDIP Package	80	20
PDIP Package	90	N/A
Maximum Junction Temperature (CERDIP Package)	175 $^{\circ}$ C	
Maximum Junction Temperature (Plastic Package)	150 $^{\circ}$ C	
Maximum Storage Temperature Range	-65 $^{\circ}$ C to 150 $^{\circ}$ C	
Maximum Lead Temperature (Soldering 10s)	300 $^{\circ}$ C	

Operating Conditions

Temperature Range	
CA3280	0 $^{\circ}$ C to 70 $^{\circ}$ C
CA3280A	-55 $^{\circ}$ C to 125 $^{\circ}$ C
Supply Voltage Range (Typ)	± 2 V to ± 15 V

CAUTION: Stresses above those listed in "Absolute Maximum Ratings" may cause permanent damage to the device. This is a stress only rating and operation of the device at these or any other conditions above those indicated in the operational sections of this specification is not implied.

NOTE:

- θ_{JA} is measured with the component mounted on a low effective thermal conductivity test board in free air. See Tech Brief TB379 for details.
- Short circuit may be applied to ground or to either supply.

Electrical Specifications For Equipment Design, at $T_A = 25^{\circ}$ C, $V_{SUPPLY} = \pm 15$ V, Unless Otherwise Specified

PARAMETER	SYMBOL	TEST CONDITIONS	CA3280			CA3280A			UNITS	
			MIN	TYP	MAX	MIN	TYP	MAX		
Input Offset Voltage	V_{IO}	$I_{ABC} = 1$ mA	-	-	3	-	-	0.5	mV	
		$I_{ABC} = 100\mu$ A	-	0.7	3	-	0.25	0.5	mV	
		$I_{ABC} = 10\mu$ A	-	-	3	-	-	0.5	mV	
		$I_{ABC} = 1$ mA to 10μ A, $T_A =$ Full Temp. Range	-	0.8	4	-	0.8	1.5	mV	
Input Offset Voltage Drift	$ \Delta V_{IO} $	$I_{ABC} = 1\mu$ A to 1mA	-	0.5	1	-	0.5	1	mV	
		$I_{ABC} = 100\mu$ A, $T_A =$ Full Temperature Range	-	5	-	-	3	5	μ V/ $^{\circ}$ C	
Amplifier Bias Voltage	V_{ABC}	$I_{ABC} = 100\mu$ A	-	1.2	-	-	1.2	-	V	
Peak Output Voltage	V_{OM+}	$I_{ABC} = 500$ mA	12	13.7	-	12.5	13.7	-	V	
	V_{OM-}		12	-14.3	-	-13.3	-14.3	-	V	
	V_{OM+}	$I_{ABC} = 5\mu$ A	12	13.9	-	12.5	13.9	-	V	
	V_{OM-}		12	-14.5	-	-13.5	-14.5	-	V	
Common Mode Input Voltage Range	V_{ICR}	$I_{ABC} = 100\mu$ A	-13	-	13	-13	-	13	V	
Noise Voltage	e_N	$I_{ABC} = 500\mu$ A	10Hz	-	20	-	-	20	-	nV/ \sqrt{Hz}
			1kHz	-	8	-	-	8	-	nV/ \sqrt{Hz}
			10kHz	-	7	-	-	7	-	nV/ \sqrt{Hz}
Input Offset Current	I_{IO}	$I_{ABC} = 500\mu$ A	-Z	0.3	0.7	-	0.3	0.7	μ A	
Input Bias Current	I_{IB}	$I_{ABC} = 500\mu$ A	-	1.8	5	-	1.8	5	μ A	
		$I_{ABC} = 500\mu$ A, $T_A =$ Full Temperature Range	-	3	8	-	3	8	μ A	

CA3280, CA3280A

Electrical Specifications For Equipment Design, at $T_A = 25^\circ\text{C}$, $V_{\text{SUPPLY}} = \pm 15\text{V}$, Unless Otherwise Specified (Continued)

PARAMETER	SYMBOL	TEST CONDITIONS		CA3280			CA3280A			UNITS
				MIN	TYP	MAX	MIN	TYP	MAX	
Peak Output Current	$I_{\text{OM}+}$	$I_{\text{ABC}} = 500\mu\text{A}$	Source	350	410	650	350	410	650	μA
	$I_{\text{OM}-}$		Sink	-350	-410	-650	-350	-410	-650	μA
	$I_{\text{OM}+}$	$I_{\text{ABC}} = 5\mu\text{A}$	Source	3	4.1	7	3	4.1	7	μA
	$I_{\text{OM}-}$		Sink	-3	-4.1	-7	-3	-4.1	-7	μA
Peak Output Current Sink and Source	$I_{\text{OM}-}$, $I_{\text{OM}+}$	$I_{\text{ABC}} = 500\mu\text{A}$, $T_A = \text{Full Temperature Range}$		350	450	550	350	450	550	μA
Linearization Diodes	Offset Current Dynamic Impedance	$I_D = 100\mu\text{A}$		-	10	-	-	10	-	μA
		$I_D = 10\mu\text{A}$		-	0.5	1	-	0.5	1	μA
		$I_D = 100\mu\text{A}$		-	700	-	-	700	-	Ω
Diode Network Supply Current		$I_{\text{ABC}} = 100\mu\text{A}$		250	400	800	250	400	800	μA
Amplifier Supply Current (Per Amplifier)	I_+	$I_{\text{ABC}} = 500\mu\text{A}$		-	2	2.4	-	2	2.4	mA
Amplifier Output Leakage Current	I_{OL}	$I_{\text{ABC}} = 0$, $V_O = 0\text{V}$		-	0.015	0.1	-	0.015	0.1	nA
		$I_{\text{ABC}} = 0$, $V_O = 30\text{V}$		-	0.15	1	-	0.15	1	nA
Common Mode Rejection Ratio	CMRR	$I_{\text{ABC}} = 100\mu\text{A}$		80	100	-	94	100	-	dB
Power Supply Rejection Ratio	PSRR	$I_{\text{ABC}} = 100\mu\text{A}$		86	105	-	94	105	-	dB
Open Loop Voltage Gain	A_{OL}	$I_{\text{ABC}} = 100\mu\text{A}$, $R_L = \infty$, $V_O = 20\text{V}_{\text{P-P}}$		94	100	-	94	100	-	dB
				50	100	-	50	100	-	kV/V
Forward Transconductance	G_M	$I_{\text{ABC}} = 50\mu\text{A}$, Large Signal		-	0.8	1.2	-	0.8	1.2	mS
	g_M	$I_{\text{ABC}} = 1\text{mA}$, Small Signal		-	16	22	-	16	22	mS
Input Resistance	R_I	$I_{\text{ABC}} = 10\mu\text{A}$		0.5	-	-	0.5	-	-	$\text{M}\Omega$
Channel Separation		$f = 1\text{kHz}$		-	94	-	-	94	-	dB
Open Loop Total Harmonic Distortion	THD	$f = 1\text{kHz}$, $I_{\text{ABC}} = 1.5\text{mA}$, $R_L = 15\text{k}\Omega$, $V_O = 20\text{V}_{\text{P-P}}$		-	0.4	-	-	0.4	-	$\%$
Bandwidth	f_T	$I_{\text{ABC}} = 1\text{mA}$, $R_L = 100\Omega$		-	9	-	-	9	-	MHz
Slew Rate, Open Loop	SR	$I_{\text{ABC}} = 1\text{mA}$		-	125	-	-	125	-	$\text{V}/\mu\text{s}$
Capacitance	C_I	$I_{\text{ABC}} = 100\mu\text{A}$	Input	-	4.5	-	-	4.5	-	pF
	C_O		Output	-	7.5	-	-	7.5	-	pF
Output Resistance	R_O	$I_{\text{ABC}} = 100\mu\text{A}$		-	63	-	-	63	-	$\text{M}\Omega$

Test Circuits and Waveforms

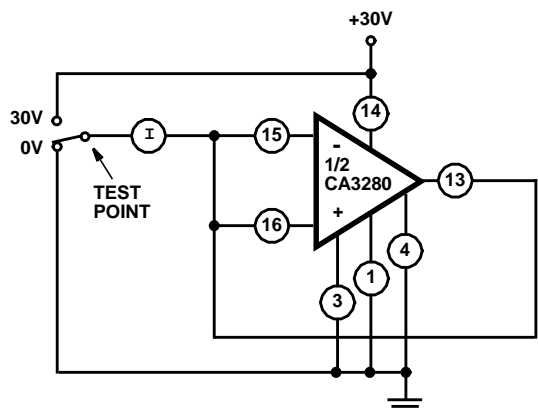


FIGURE 1. LEAKAGE CURRENT TEST CIRCUIT

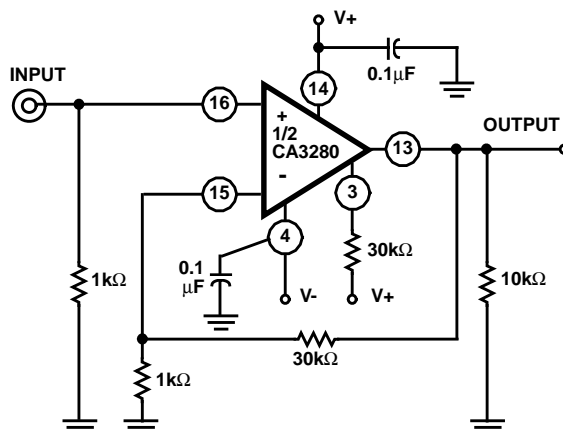


FIGURE 2. CHANNEL SEPARATION TEST CIRCUIT

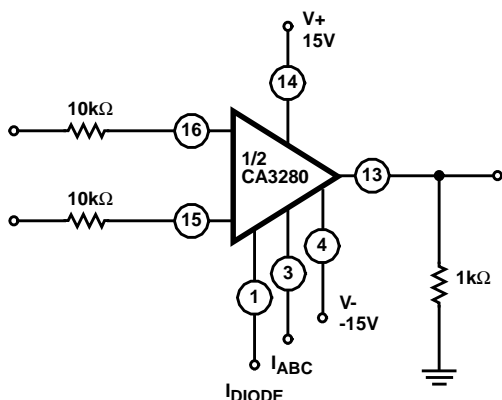


FIGURE 3A. EFFECTS OF DIODE LINEARIZATION, WITH DIODE PROGRAMMING TERMINAL ACTIVE

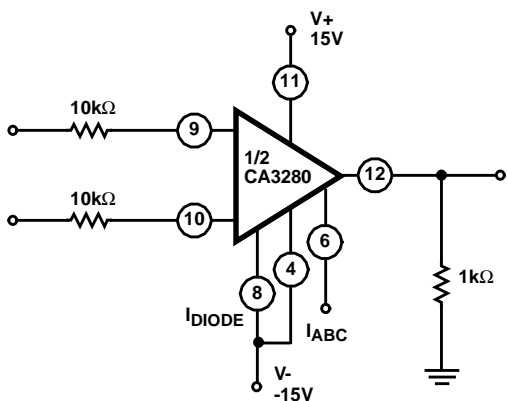
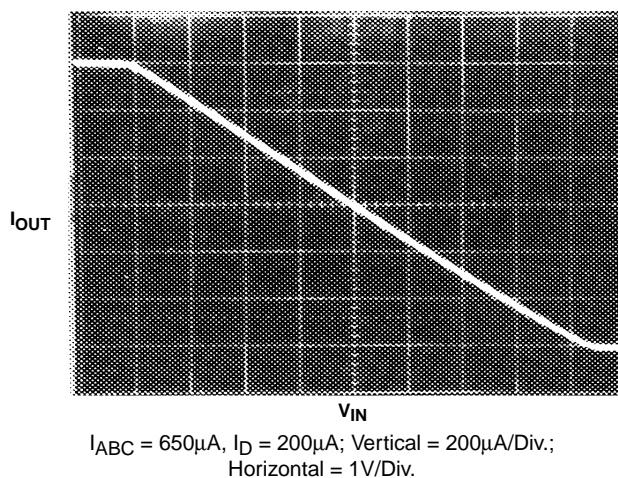


FIGURE 3B. WITH DIODE PROGRAMMING TERMINAL CUTOFF

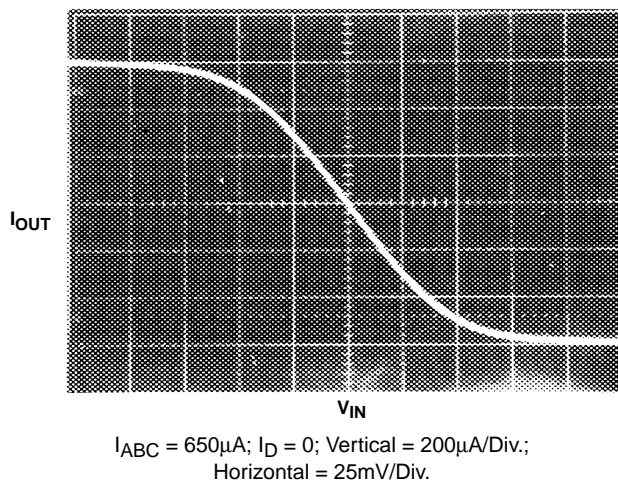


FIGURE 3. CA3280 TRANSFER CHARACTERISTICS

Application Information

Figures 4 and 5 show the equivalent circuits for the current source and linearization diodes in the CA3280. The current through the linearization network is approximately equal to the programming current. There are several advantages to driving these diodes with a current source. First, only the offset current from the biasing network flows through the input resistor. Second, another input is provided to extend the gain control dynamic range. And third, the input is truly differential and can accept signals within the common mode range of the CA3280.

Typical Applications

The structure of the variable operational amplifier eliminates the need for matched resistor networks in differential to single ended converters, as shown in Figure 6. A matched resistor network requires ratio matching of 0.01% or trimming for 80dB of common-mode rejection. The CA3280, with its excellent common mode rejection ratio, is capable of converting a small ($\pm 25\text{mV}$) differential input signal to a single-ended output without the need for a matched resistor network.

Figure 7 shows the CA3280 in a typical gain control application. Gain control can be performed with the amplifier bias current

(I_{ABC}). With no diode bias current, the gain is merely $g_{m}R_{L}$. For example, with an I_{ABC} of 1mA, the g_{m} is approximately 16mS. With the CA3280 operating into a 5k Ω resistor, the gain is 80.

The need for external buffers can be eliminated by the use of low value load resistors, but the resulting increase in the required amplifier bias current reduces the input impedance of the CA3280. The linearization diode impedance also decreases as the diode bias current increases, which further loads the input. The diodes, in addition to acting as a linearization network, also operate as an additional attenuation system to accommodate input signals in the volt range when they are applied through appropriate input resistors.

Figure 10 shows a triangle wave to sine wave converter using the CA3280. Two 100k Ω resistors are connected between the differential amplifier emitters and V+ to reduce the current flow through the differential amplifier. This allows the amplifier to fully cut off during peak input signal excursions. THD is appropriately 0.37% for this circuit.

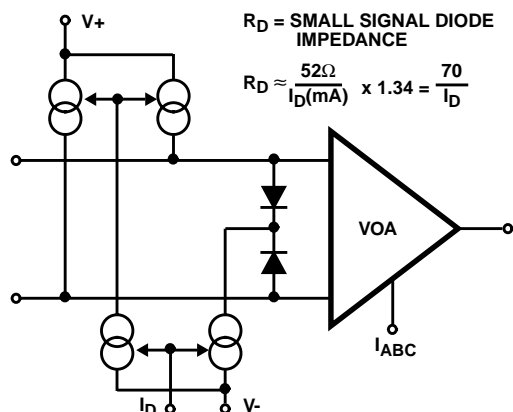


FIGURE 4. VOA SHOWING LINEARIZATION DIODES AND CURRENT DRIVE

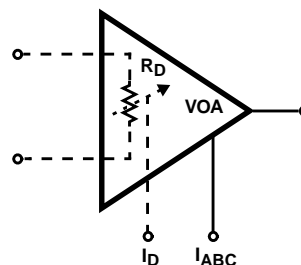


FIGURE 5. BLOCK DIAGRAM OF LINEARIZED VOA

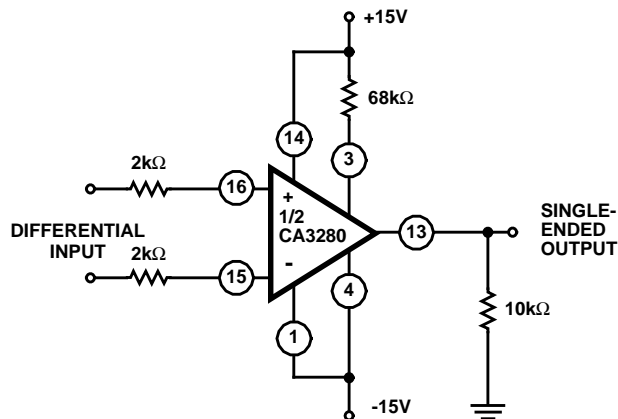


FIGURE 6. DIFFERENTIAL TO SINGLE ENDED CONVERTER

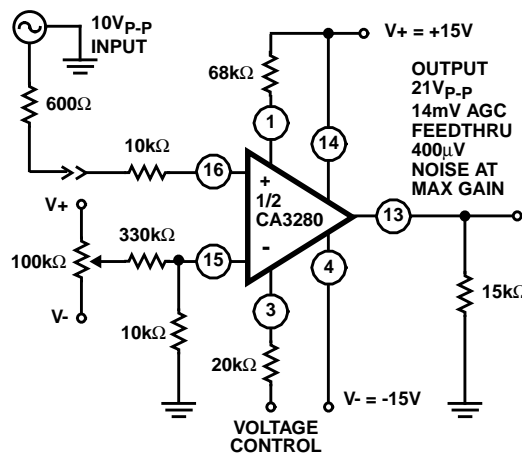


FIGURE 7. TYPICAL GAIN CONTROL CIRCUIT

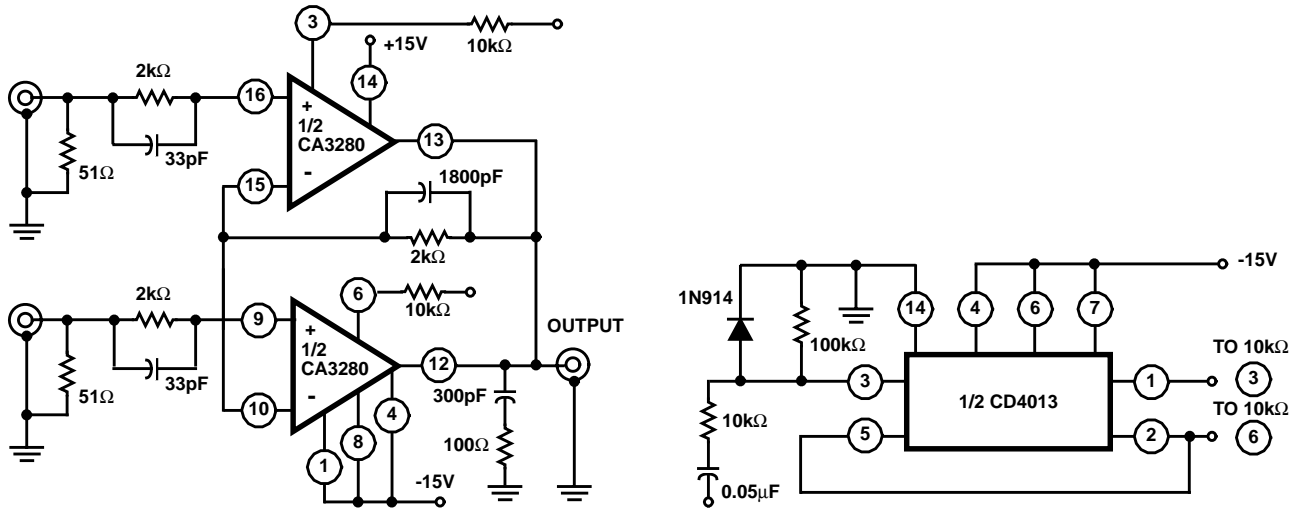


FIGURE 8. TWO CHANNEL LINEAR MULTIPLEXER

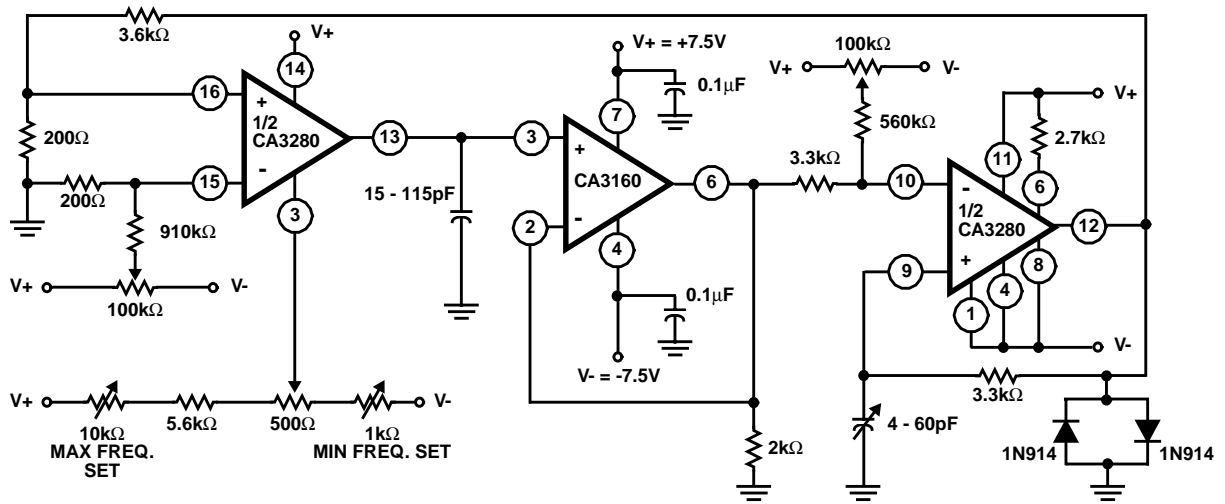


FIGURE 9. CA3280 USED IN CONJUNCTION WITH A CA3160 TO PROVIDE A FUNCTION GENERATOR WITH A TUNABLE RANGE OF 2Hz TO 1MHz

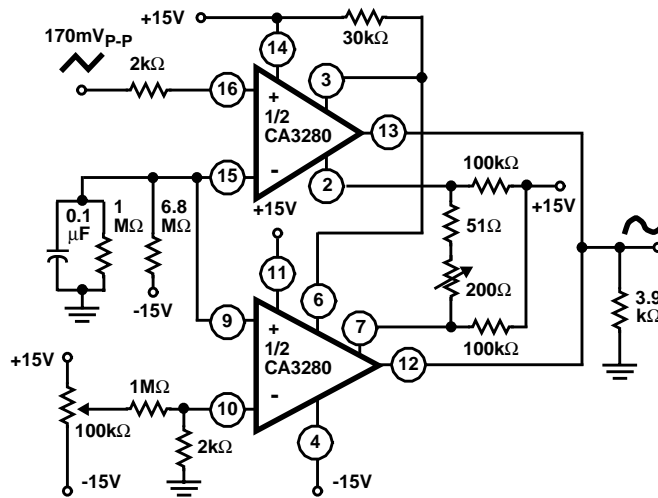


FIGURE 10. TRIANGLE WAVE-TO-SINE WAVE CONVERTER

Typical Performance Curves

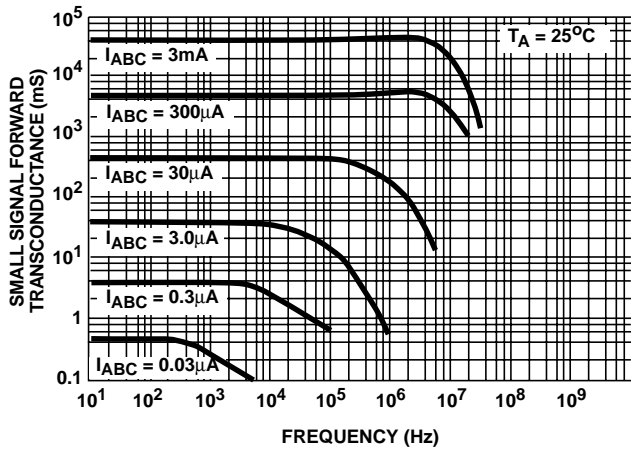


FIGURE 11. AMPLIFIER GAIN vs FREQUENCY

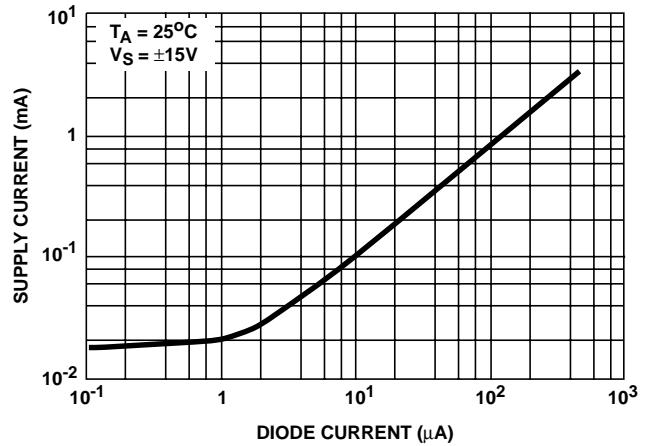


FIGURE 12. SUPPLY CURRENT vs DIODE CURRENT

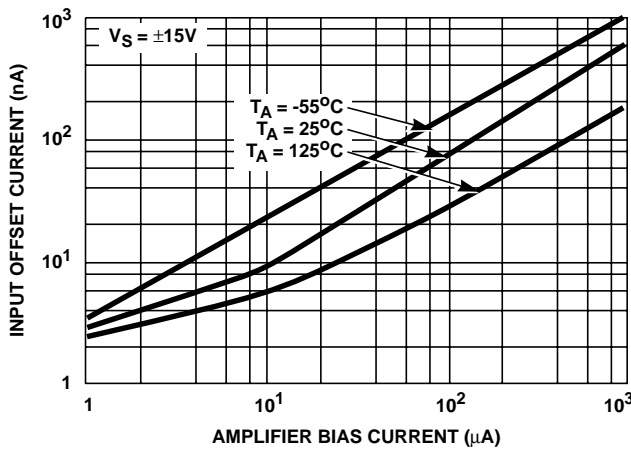


FIGURE 13. INPUT OFFSET CURRENT vs AMPLIFIER BIAS CURRENT

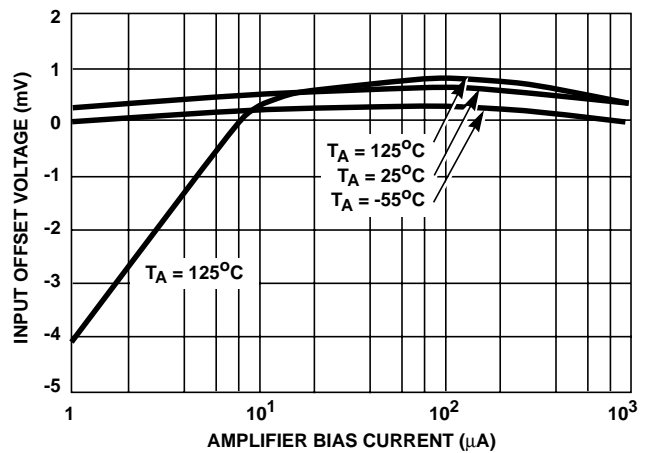


FIGURE 14. INPUT OFFSET VOLTAGE vs AMPLIFIER BIAS CURRENT

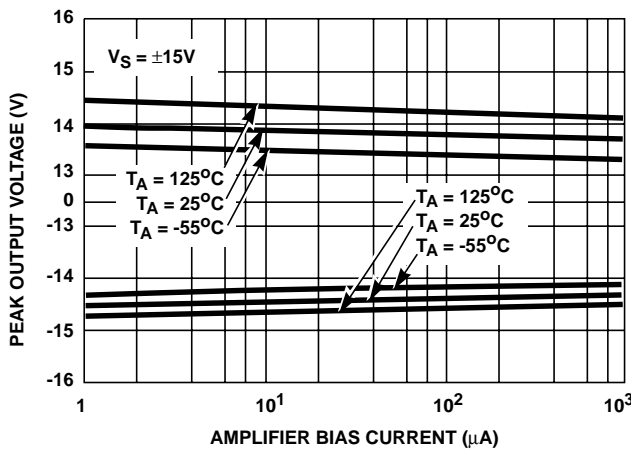


FIGURE 15. PEAK OUTPUT VOLTAGE vs AMPLIFIER BIAS CURRENT

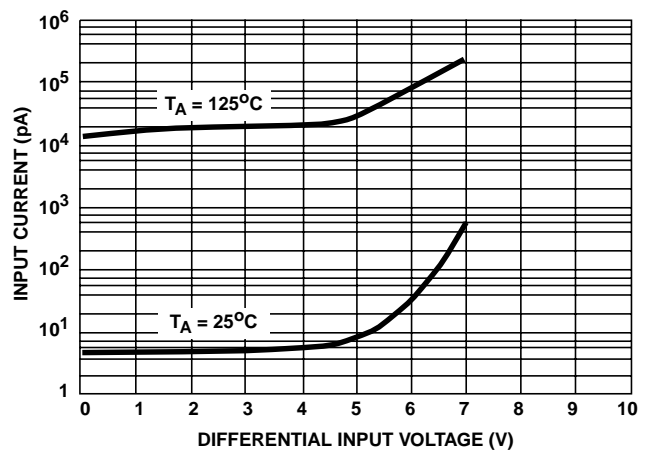


FIGURE 16. INPUT CURRENT vs INPUT DIFFERENTIAL VOLTAGE

Typical Performance Curves (Continued)

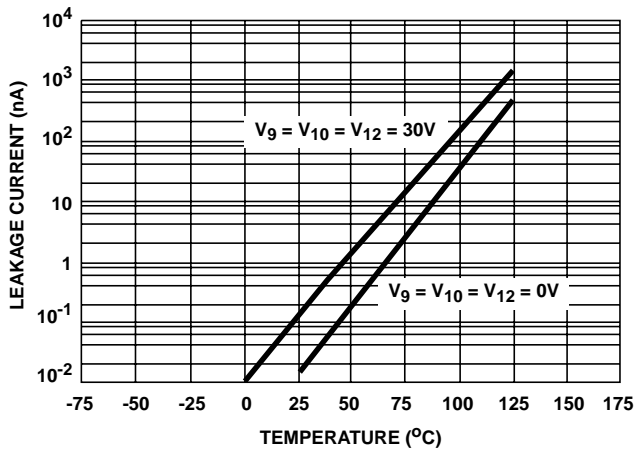


FIGURE 17. LEAKAGE CURRENT vs TEMPERATURE

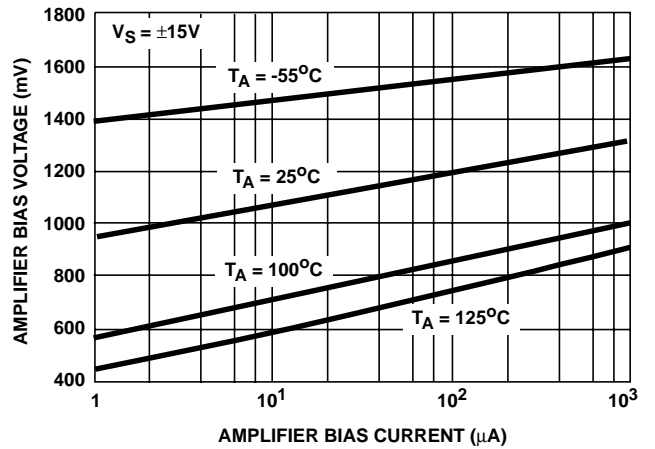


FIGURE 18. AMPLIFIER BIAS VOLTAGE vs AMPLIFIER BIAS CURRENT

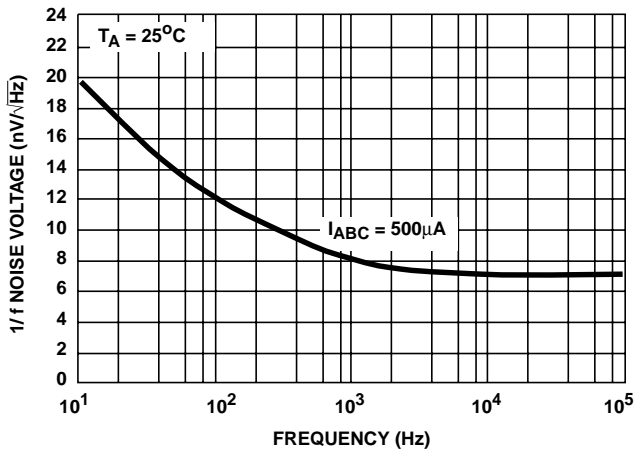


FIGURE 19. 1/f NOISE vs FREQUENCY

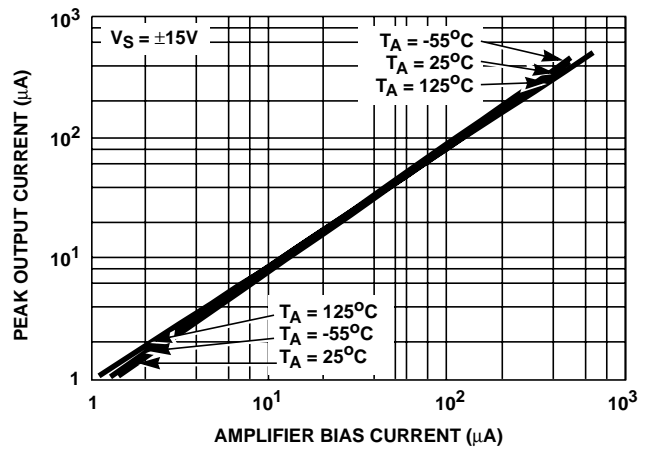


FIGURE 20. PEAK OUTPUT CURRENT vs AMPLIFIER BIAS CURRENT

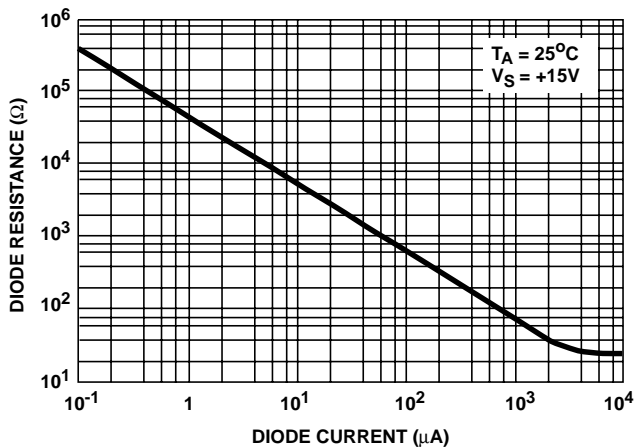


FIGURE 21. DIODE RESISTANCE vs DIODE CURRENT

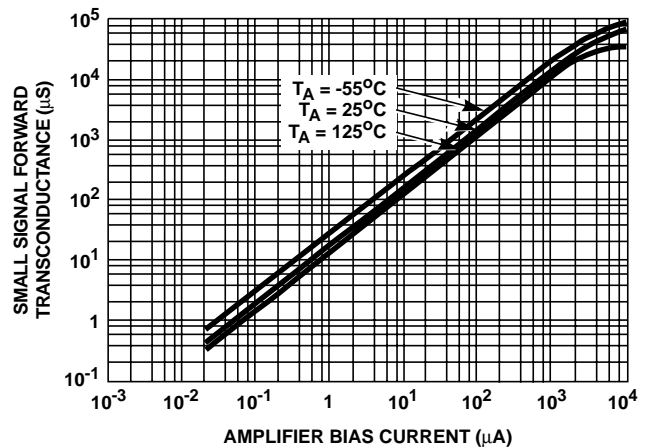


FIGURE 22. AMPLIFIER GAIN vs AMPLIFIER BIAS CURRENT

Typical Performance Curves (Continued)

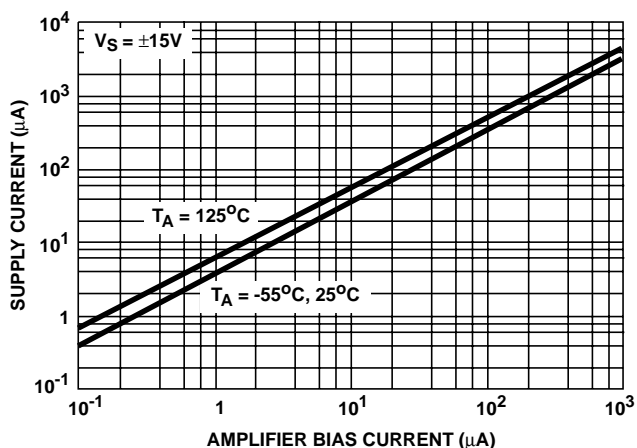


FIGURE 23. SUPPLY CURRENT vs AMPLIFIER BIAS CURRENT

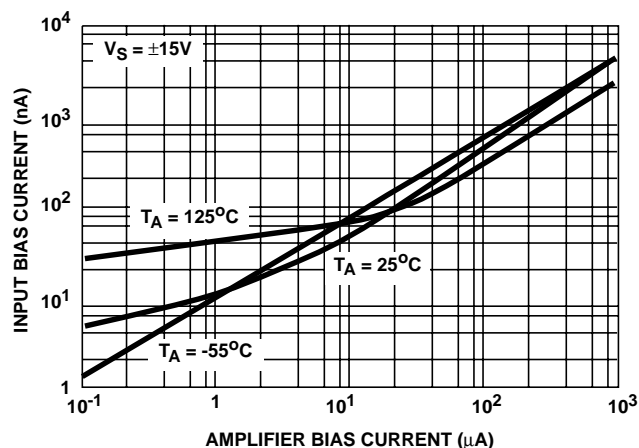
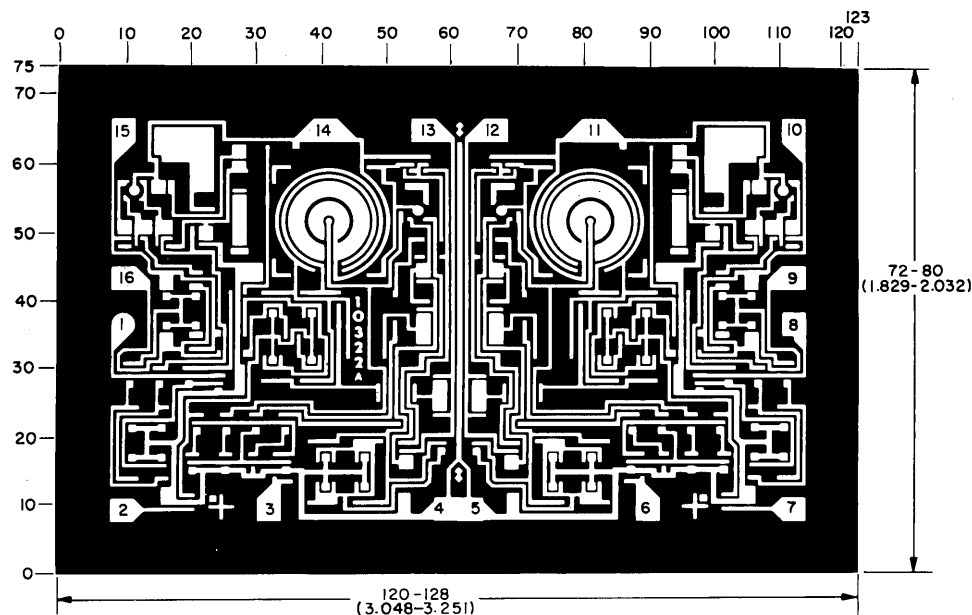


FIGURE 24. INPUT BIAS CURRENT vs AMPLIFIER BIAS CURRENT

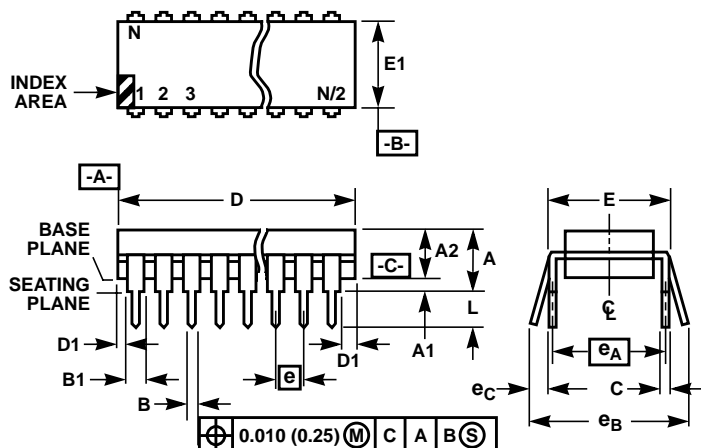
Metallization Mask Layout



Dimensions in parentheses are in millimeters and derived from the basic inch dimensions as indicated. Grid graduations are in mils (10^{-3} inch).

The photographs and dimensions represent a chip when it is part of the wafer. When the wafer is cut into chips, the cleavage angles are 57° instead of 90° with respect to the face of the chip. Therefore, the isolated chip is actually 7 mils (0.17mm) larger in both dimensions.

Dual-In-Line Plastic Packages (PDIP)



NOTES:

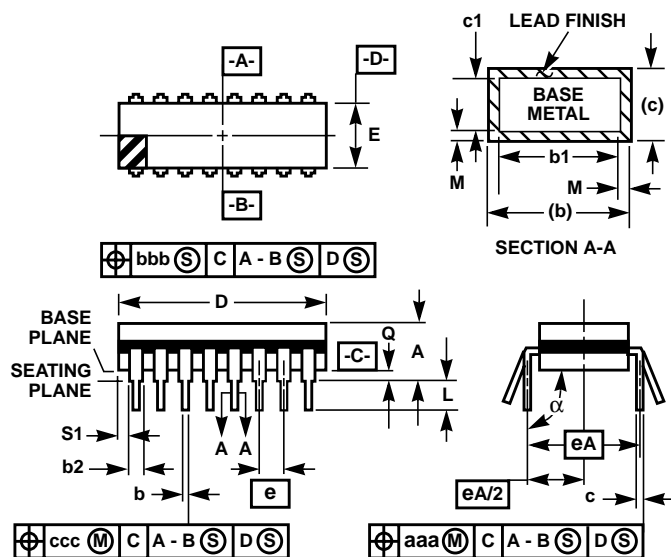
- Controlling Dimensions: INCH. In case of conflict between English and Metric dimensions, the inch dimensions control.
- Dimensioning and tolerancing per ANSI Y14.5M-1982.
- Symbols are defined in the "MO Series Symbol List" in Section 2.2 of Publication No. 95.
- Dimensions A, A1 and L are measured with the package seated in JEDEC seating plane gauge GS-3.
- D, D1, and E1 dimensions do not include mold flash or protrusions. Mold flash or protrusions shall not exceed 0.010 inch (0.25mm).
- E and e_A are measured with the leads constrained to be perpendicular to datum [-C-].
- e_B and e_C are measured at the lead tips with the leads unconstrained. e_C must be zero or greater.
- B1 maximum dimensions do not include dambar protrusions. Dambar protrusions shall not exceed 0.010 inch (0.25mm).
- N is the maximum number of terminal positions.
- Corner leads (1, N, N/2 and N/2 + 1) for E8.3, E16.3, E18.3, E28.3, E42.6 will have a B1 dimension of 0.030 - 0.045 inch (0.76 - 1.14mm).

E16.3 (JEDEC MS-001-BB ISSUE D)
16 LEAD DUAL-IN-LINE PLASTIC PACKAGE

SYMBOL	INCHES		MILLIMETERS		NOTES
	MIN	MAX	MIN	MAX	
A	-	0.210	-	5.33	4
A1	0.015	-	0.39	-	4
A2	0.115	0.195	2.93	4.95	-
B	0.014	0.022	0.356	0.558	-
B1	0.045	0.070	1.15	1.77	8, 10
C	0.008	0.014	0.204	0.355	-
D	0.735	0.775	18.66	19.68	5
D1	0.005	-	0.13	-	5
E	0.300	0.325	7.62	8.25	6
E1	0.240	0.280	6.10	7.11	5
e	0.100 BSC		2.54 BSC		-
e_A	0.300 BSC		7.62 BSC		6
e_B	-	0.430	-	10.92	7
L	0.115	0.150	2.93	3.81	4
N	16		16		9

Rev. 0 12/93

Ceramic Dual-In-Line Frit Seal Packages (CERDIP)



**F16.3 MIL-STD-1835 GDIP1-T16 (D-2, CONFIGURATION A)
16 LEAD CERAMIC DUAL-IN-LINE FRIT SEAL PACKAGE**

SYMBOL	INCHES		MILLIMETERS		NOTES
	MIN	MAX	MIN	MAX	
A	-	0.200	-	5.08	-
b	0.014	0.026	0.36	0.66	2
b1	0.014	0.023	0.36	0.58	3
b2	0.045	0.065	1.14	1.65	-
b3	0.023	0.045	0.58	1.14	4
c	0.008	0.018	0.20	0.46	2
c1	0.008	0.015	0.20	0.38	3
D	-	0.840	-	21.34	5
E	0.220	0.310	5.59	7.87	5
e	0.100 BSC		2.54 BSC		-
eA	0.300 BSC		7.62 BSC		-
eA/2	0.150 BSC		3.81 BSC		-
L	0.125	0.200	3.18	5.08	-
Q	0.015	0.060	0.38	1.52	6
S1	0.005	-	0.13	-	7
α	90°	105°	90°	105°	-
aaa	-	0.015	-	0.38	-
bbb	-	0.030	-	0.76	-
ccc	-	0.010	-	0.25	-
M	-	0.0015	-	0.038	2, 3
N	16		16		8

NOTES:

1. Index area: A notch or a pin one identification mark shall be located adjacent to pin one and shall be located within the shaded area shown. The manufacturer's identification shall not be used as a pin one identification mark.
2. The maximum limits of lead dimensions b and c or M shall be measured at the centroid of the finished lead surfaces, when solder dip or tin plate lead finish is applied.
3. Dimensions b1 and c1 apply to lead base metal only. Dimension M applies to lead plating and finish thickness.
4. Corner leads (1, N, N/2, and N/2+1) may be configured with a partial lead paddle. For this configuration dimension b3 replaces dimension b2.
5. This dimension allows for off-center lid, meniscus, and glass overrun.
6. Dimension Q shall be measured from the seating plane to the base plane.
7. Measure dimension S1 at all four corners.
8. N is the maximum number of terminal positions.
9. Dimensioning and tolerancing per ANSI Y14.5M - 1982.
10. Controlling dimension: INCH.

Rev. 0 4/94

All Intersil semiconductor products are manufactured, assembled and tested under **ISO9000** quality systems certification.

Intersil semiconductor products are sold by description only. Intersil Corporation reserves the right to make changes in circuit design and/or specifications at any time without notice. Accordingly, the reader is cautioned to verify that data sheets are current before placing orders. Information furnished by Intersil is believed to be accurate and reliable. However, no responsibility is assumed by Intersil or its subsidiaries for its use; nor for any infringements of patents or other rights of third parties which may result from its use. No license is granted by implication or otherwise under any patent or patent rights of Intersil or its subsidiaries.

For information regarding Intersil Corporation and its products, see web site www.intersil.com

Sales Office Headquarters



NORTH AMERICA
Intersil Corporation
P. O. Box 883, Mail Stop 53-204
Melbourne, FL 32902
TEL: (321) 724-7000
FAX: (321) 724-7240

EUROPE
Intersil SA
Mercure Center
100, Rue de la Fusee
1130 Brussels, Belgium
TEL: (32) 2.724.2111
FAX: (32) 2.724.22.05

ASIA
Intersil Ltd.
8F-2, 96, Sec. 1, Chien-kuo North,
Taipei, Taiwan 104
Republic of China
TEL: 886-2-2515-8508
FAX: 886-2-2515-8369

Looking for pricing, stock, or lifecycle information?

Click below to explore more details on WIN SOURCE:

-  [View CA3280E on WIN SOURCE](#)
-  [Renesas Electronics America](#) Information

Optimize Your Supply Chain with WIN SOURCE Solutions

-  Global Sourcing Solution
-  Obsolete Management
-  Cost Control Management
-  Shortage Management
-  Alternative Solution
-  Excess Inventory Management