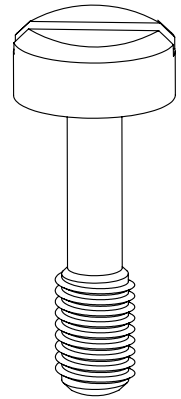
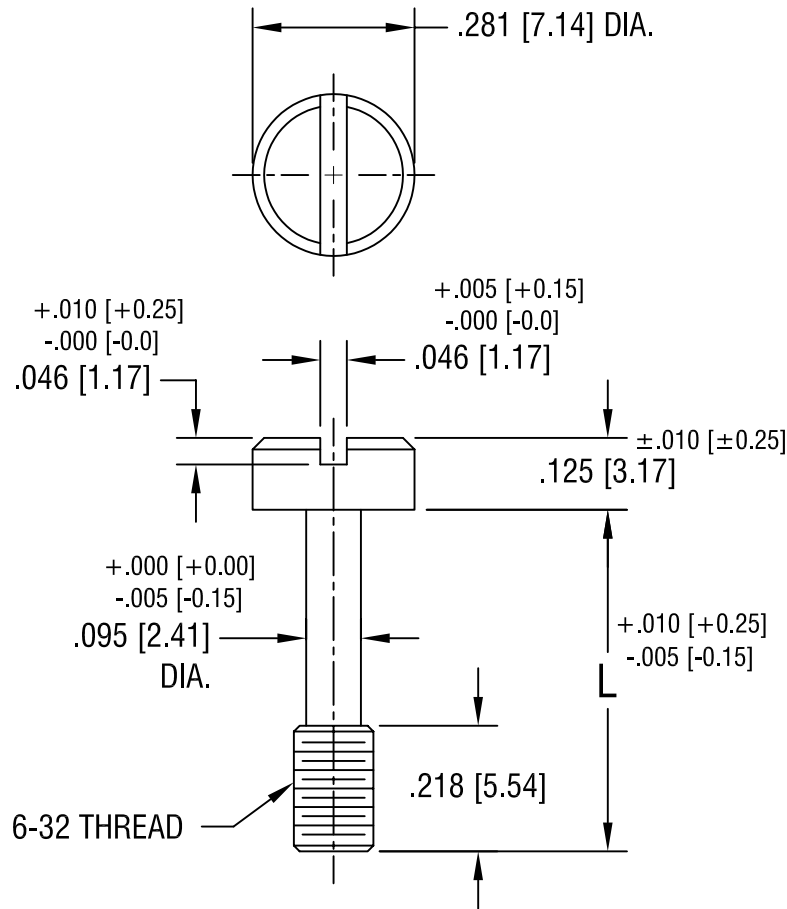




**THE DATASHEET OF**  
**2416**



THIS DOCUMENT IS THE PROPERTY OF  
KEYSTONE ELECTRONICS CORP. AND  
SHALL NOT BE REPRODUCED, DISTRIBUTED  
OR USED AS A BASIS FOR MANUFACTURE  
WITHOUT PRIOR WRITTEN PERMISSION  
FROM KEYSTONE ELECTRONICS CORP.





PART NO.	'L' DIM.
2415	.531 [13.49]
2416	.593 [15.06]
2417	.656 [16.66]

<b>KEYSTONE ELECTRONICS CORP.</b>			
ASTORIA, N.Y. 11105-2017			
PART NAME			
CAPTIVE SCREW			
MATERIAL			
STAINLESS STEEL			
FINISH		DRN BY	DATE
-		BOONE	12.5.95
		APP'D	SCALE
			3X
DATE	DESCRIPTION	REV.	TOLERANCES INCH [MM]
7.15.08	CHANGE AS PER ECN 08-124	A	DECIMAL ± .005 [± 0.15]
			ANGULAR ± 1°
			UNLESS OTHERWISE SPECIFIED
			CODE
			C/M
			DWG NO.
			<b>2415-2417</b>

DATE	DESCRIPTION	REV.
7.15.08	CHANGE AS PER ECN 08-124	A

## Looking for pricing, stock, or lifecycle information?

Click below to explore more details on WIN SOURCE:

-  [View 2416](#) on WIN SOURCE
-  [Keystone Electronics](#) Information

## Optimize Your Supply Chain with WIN SOURCE Solutions

-  Global Sourcing Solution
-  Obsolete Management
-  Cost Control Management
-  Shortage Management
-  Alternative Solution
-  Excess Inventory Management