



**THE DATASHEET OF  
DS16F95J**



## DS16F95, DS36F95 EIA-485/EIA-422A Differential Bus Transceiver

### General Description

The DS16F95/DS36F95 Differential Bus Transceiver is a monolithic integrated circuit designed for bidirectional data communication on balanced multipoint bus transmission lines. The transceiver meets both EIA-485 and EIA-422A standards.

The DS16F95/DS36F95 offers improved performance due to the use of L-FAST bipolar technology. The L-FAST technology allows for higher speeds and lower currents by minimizing gate delay times. Thus, the DS16F95 and DS36F95 consume less power, and feature an extended temperature range as well as improved specifications.

The DS16F95/DS36F95 combines a TRI-STATE® differential line driver and a differential input line receiver, both of which operate from a single 5.0V power supply. The driver and receiver have an active Enable that can be externally connected to function as a direction control. The driver differential outputs and the receiver differential inputs are internally connected to form differential input/output (I/O) bus ports that are designed to offer minimum loading to the bus whenever the driver is disabled or when  $V_{CC} = 0V$ . These ports feature wide positive and negative common mode voltage ranges, making the device suitable for multipoint applications in noisy environments.

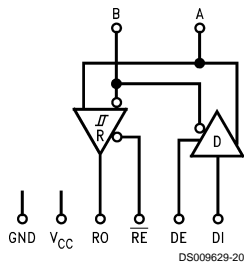
The driver is designed to accommodate loads of up to 60 mA of sink or source current and features positive and negative current limiting in addition to thermal shutdown for protection from line fault conditions.

The DS16F95/DS36F95 can be used in transmission line applications employing the DS96F172 and the DS96F174 quad differential line drivers and the DS96F173 and DS96F175 quad differential line receivers.

### Features

- Meets EIA-485 and EIA-422A
- Meets SCSI-1 (5 MHz) specifications
- Designed for multipoint transmission
- Wide positive and negative input/output bus voltage ranges
- Thermal shutdown protection
- Driver positive and negative current-limiting
- High impedance receiver input
- Receiver input hysteresis of 50 mV typical
- Operates from single 5.0V supply
- Reduced power consumption
- Pin compatible with DS3695 and SN75176A
- Military temperature range available
- Qualified for MIL-STD 883C
- Standard Military Drawings (SMD) available
- Available in DIP (J), SOIC (M), LCC (E), and Flatpak (W) packages

### Logic Diagram



### Function Tables

#### Driver

Driver Input	Enable	Outputs	
DI	DE	A	B
H	H	H	L
L	H	L	H
X	L	Z	Z

#### Receiver

Differential Inputs	Enable	Output
A-B	RE	RO
$V_{ID} \geq 0.2V$	L	H
$V_{ID} \leq -0.2V$	L	L
X	H	Z

H = High Level  
 L = Low Level  
 X = Immaterial  
 Z = High Impedance (Off)

TRI-STATE® is a registered trademark of National Semiconductor Corporation.

## COMMERCIAL

### Absolute Maximum Ratings (Note 2)

Specifications for the 883 version of this product are listed separately on the following pages.

Storage Temperature Range	-65°C to +175°C
Lead Temperature (Soldering, 60 sec.)	300°C
Maximum Package Power Dissipation (Note 1) at 25°C	
'J' Package	1300 mW
'M' Package	735 mW
Supply Voltage	7.0V
Input Voltage (Bus Terminal)	+15V/-10V
Enable Input Voltage	5.5V

### Recommended Operating Conditions

	Min	Typ	Max	Units
Supply Voltage ( $V_{CC}$ )				
DS36F95	4.75	5.0	5.25	V
DS16F95	4.50	5.0	5.50	V
Voltage at Any Bus Terminal (Separately or Common Mode) ( $V_I$ or $V_{CM}$ )	-7.0		+12	V
Differential Input Voltage ( $V_{ID}$ )			±12	V
Output Current HIGH ( $I_{OH}$ )				
Driver			-60	mA
Receiver			-400	µA
Output Current LOW ( $I_{OL}$ )				
Driver			60	mA
Receiver			16	mA
Operating Temperature ( $T_A$ )				
DS36F95	0	+25	+70	°C
DS16F95	-55	+25	+125	°C

Note 1: Derate 'J' package 8.7 mW/°C above 25°C.  
Derate 'M' package 5.88 mW/°C above 25°C.

### Driver Electrical Characteristics (Notes 3, 4)

Over recommended supply voltage and operating temperature ranges, unless otherwise specified

Symbol	Parameter	Conditions		Min	Typ	Max	Units
$V_{IH}$	Input Voltage HIGH			2.0			V
$V_{IL}$	Input Voltage LOW					0.8	V
$V_{OH}$	Output Voltage HIGH	$I_{OH} = -55$ mA	0°C to +70°C	3.0			V
$V_{OL}$	Output Voltage LOW	$I_{OL} = 55$ mA	0°C to +70°C			2.0	V
$V_{IC}$	Input Clamp Voltage	$I_I = -18$ mA				-1.3	V
$ V_{OD1} $	Differential Output Voltage	$I_O = 0$ mA				6.0	V
$ V_{OD2} $	Differential Output Voltage	$R_L = 100\Omega$ , Figure 1		2.0	2.25		V
		$R_L = 54\Omega$ , Figure 1		1.5	2.0		V
$\Delta V_{OD} $	Change in Magnitude of Differential Output Voltage (Note 5)	$R_L = 54\Omega$ or $100\Omega$ , Figure 1	-40°C to +125°C			±0.2	V
			-55°C to +125°C			±0.4	V
$V_{OC}$	Common Mode Output Voltage (Note 6)					3.0	V
$\Delta V_{OC} $	Change in Magnitude of Common Mode Output Voltage (Note 5)					±0.2	V
$I_O$	Output Current (Note 9) (Includes Receiver $I_I$ )	Output Disabled	$V_O = +12$ V			1.0	mA
			$V_O = -7.0$ V			-0.8	mA
$I_{IH}$	Input Current HIGH	$V_I = 2.4$ V				20	µA
$I_{IL}$	Input Current LOW	$V_I = 0.4$ V				-50	µA
$I_{OS}$	Short Circuit Output Current (Note 10)	$V_O = -7.0$ V				-250	mA
		$V_O = 0$ V				-150	
		$V_O = V_{CC}$				150	
		$V_O = +12$ V				250	

## Driver Electrical Characteristics (Notes 3, 4) (Continued)

Over recommended supply voltage and operating temperature ranges, unless otherwise specified

Symbol	Parameter	Conditions		Min	Typ	Max	Units
$I_{CC}$	Supply Current (Total Package)	No Load, All Inputs Open	DE = 2V, $\overline{RE}$ = 0.8V Outputs Enabled			28	mA
$I_{CCX}$			DE = 0.8V, $\overline{RE}$ = 2V Outputs Disabled			25	

## COMMERCIAL

### Driver Switching Characteristics

$V_{CC} = 5.0V$ ,  $T_A = 25^\circ C$

Symbol	Parameter	Conditions	Min	Typ	Max	Units
$t_{DD}$	Differential Output Delay Time	$R_L = 60\Omega$ , Figure 3	8.0	15	20	ns
$t_{TD}$	Differential Output Transition Time		8.0	15	22	ns
$t_{PLH}$	Propagation Delay Time, Low-to-High Level Output	$R_L = 27\Omega$ , Figure 4	6.0	12	16	ns
$t_{PHL}$	Propagation Delay Time, High-to-Low Level Output		6.0	12	16	ns
$t_{ZH}$	Output Enable Time to High Level	$R_L = 110\Omega$ , Figure 5		25	32	ns
$t_{ZL}$	Output Enable Time to Low Level	$R_L = 110\Omega$ , Figure 6		25	32	ns
$t_{HZ}$	Output Disable Time from High Level	$R_L = 110\Omega$ , Figure 5		20	25	ns
$t_{LZ}$	Output Disable Time from Low Level	$R_L = 110\Omega$ , Figure 6		20	25	ns
$t_{LZL}$	Output Disable Time from Low Level with Load Resistor to GND	Load per Figure 5 Timing per Figure 6		300		ns
$t_{SKEW}$	Skew (Pulse Width Distortion)	$R_L = 60\Omega$ , Figure 3		1.0	4.0	ns

## Receiver Electrical Characteristics

Over recommended supply voltage and operating temperature ranges, unless otherwise specified

Symbol	Parameter	Conditions	Min	Typ	Max	Units
$V_{TH}$	Differential Input High Threshold Voltage	$V_O = 2.7V$ , $I_O = -0.4$ mA			0.2	V
$V_{TL}$	Differential Input Low Threshold Voltage (Note 7)	$V_O = 0.5V$ , $I_O = 8.0$ mA	-0.2			V
$V_{T+} - V_{T-}$	Hysteresis (Note 8)	$V_{CM} = 0V$	35	50		mV
$V_{IH}$	Enable Input Voltage HIGH		2.0			V
$V_{IL}$	Enable Input Voltage LOW				0.8	V
$V_{IC}$	Enable Input Clamp Voltage	$I_I = -18$ mA			-1.3	V
$V_{OH}$	Output Voltage HIGH	$V_{ID} = 200$ mV, $I_{OH} = -400$ $\mu A$ , Figure 2	0°C to +70°C	2.8		V
			-55°C to +125°C	2.5		
$V_{OL}$	Output Voltage LOW	$V_{ID} = -200$ mV, Figure 2	$I_{OL} = 8.0$ mA		0.45	V
			$I_{OL} = 16$ mA		0.50	
$I_{OZ}$	High Impedance State Output	$V_O = 0.4V$ to 2.4V			$\pm 20$	$\mu A$
$I_I$	Line Input Current (Note 9)	Other Input = 0V	$V_I = +12V$		1.0	mA
			$V_I = -7.0V$		0.8	
$I_{IH}$	Enable Input Current HIGH	$V_{IH} = 2.7V$			20	$\mu A$
$I_{IL}$	Enable Input Current LOW	$V_{IL} = 0.4V$			-50	$\mu A$
$R_I$	Input Resistance		14	18	22	k $\Omega$
$I_{OS}$	Short Circuit Output Current	(Note 9)	-15		-85	mA

## Receiver Electrical Characteristics (Continued)

Over recommended supply voltage and operating temperature ranges, unless otherwise specified

Symbol	Parameter	Conditions		Min	Typ	Max	Units
$I_{CC}$	Supply Current (Total Package)	No Load, All Inputs Open	DE = 2V, $\overline{RE} = 0.8V$ Outputs Enabled			28	mA
$I_{CCX}$			DE = 0.8V, $\overline{RE} = 2V$ Outputs Disabled			25	

## COMMERCIAL

### Receiver Switching Characteristics

$V_{CC} = 5.0V$ ,  $T_A = 25^\circ C$

Symbol	Parameter	Conditions	Min	Typ	Max	Units
$t_{PLH}$	Propagation Delay Time, Low-to-High Level Output	$V_{ID} = 0V$ to $+3.0V$ $C_L = 15$ pF, <i>Figure 7</i>	14	19	24	ns
$t_{PHL}$	Propagation Delay Time, High-to-Low Level Output		14	19	24	ns
$t_{ZH}$	Output Enable Time to High Level	$C_L = 15$ pF, <i>Figure 8</i>		10	16	ns
$t_{ZL}$	Output Enable Time to Low Level			12	18	ns
$t_{HZ}$	Output Disable Time from High Level	$C_L = 5.0$ pF, <i>Figure 8</i>		12	20	ns
$t_{LZ}$	Output Disable Time from Low Level			12	18	ns
$ t_{PLH} - t_{PHL} $	Pulse Width Distortion (SKEW)	<i>Figure 7</i>		1.0	4.0	ns

**Note 2:** "Absolute Maximum Ratings" are those values beyond which the safety of the device cannot be guaranteed. They are not meant to imply that the devices should be operated at these limits. The tables of "Electrical Characteristics" provide conditions for actual device operation.

**Note 3:** Unless otherwise specified min/max limits apply across the  $-55^\circ C$  to  $+125^\circ C$  temperature range for the DS16F95 and across the  $0^\circ C$  to  $+70^\circ C$  range for the DS36F95. All typicals are given for  $V_{CC} = 5V$  and  $T_A = 25^\circ C$ .

**Note 4:** All currents into the device pins are positive; all currents out of the device pins are negative. All voltages are referenced to ground unless otherwise specified.

**Note 5:**  $\Delta|V_{OD}|$  and  $\Delta|V_{OC}|$  are the changes in magnitude of  $V_{OD}$  and  $V_{OC}$ , respectively, that occur when the input is changed from a high level to a low level.

**Note 6:** In TIA/EIA-422A and TIA/EIA-485 Standards,  $V_{OC}$ , which is the average of the two output voltages with respect to ground, is called output offset voltage,  $V_{OS}$ .

**Note 7:** The algebraic convention, where the less positive (more negative) limit is designated minimum, is used in this data sheet for common mode input voltage and threshold voltage levels only.

**Note 8:** Hysteresis is the difference between the positive-going input threshold voltage,  $V_{T+}$ , and the negative-going input threshold voltage,  $V_{T-}$ .

**Note 9:** Refer to TIA/EIA-485 Standard for exact conditions.

**Note 10:** Only one output at a time should be shorted.

### Order Number:

DS16F95J, NS Package Number J08A

DS36F95J, NS Package Number J08A

DS36F95M, NS Package Number M08A

## MIL-STD 883C

### Absolute Maximum Ratings (Note 2)

For complete Military Product Specifications, refer to the appropriate SMD or MDS.

Storage Temperature Range	-65°C to +175°C
Lead Temperature (Soldering, 60 sec.)	300°C
Maximum Power Dissipation (Note 11) at 25°C	
Ceramic 'E' Package	1800 mW
Ceramic 'J' Package	1300 mW
Ceramic 'W' Package	TBD
Supply Voltage	7.0V
Input Voltage (Bus Terminal)	+15V/-10V
Enable Input Voltage	5.5V

### Recommended Operating Conditions

	Min	Max	Units
Supply Voltage ( $V_{CC}$ )			
DS16F95	4.50	5.50	V
Voltage at Any Bus Terminal (Separately or Common Mode)			
( $V_I$ or $V_{CM}$ )	-7.0	+12	V
Differential Input Voltage ( $V_{ID}$ )		±12	V
Output Current HIGH ( $I_{OH}$ )			
Driver		-60	mA
Receiver		-400	µA
Output Current LOW ( $I_{OL}$ )			
Driver		60	mA
Receiver		16	mA
Operating Temperature ( $T_A$ )			
DS16F95	-55	+125	°C

**Note 11:** Above  $T_A = 25^\circ\text{C}$ , derate E package, J package 8.7 mW/°C, W package 125 mW/°C.

### Driver Electrical Characteristics (Notes 3, 4)

Over recommended supply voltage and operating temperature ranges, unless otherwise specified

Symbol	Parameter	Conditions	Min	Max	Units
$V_{IH}$	Input Voltage HIGH	$V_{CC} = 5.5V$	2.0		V
$V_{IL}$	Input Voltage LOW	$V_{CC} = 5.5V$		0.8	V
$V_{OH}$	Output Voltage HIGH	$I_{OH} = -20\text{ mA}$ , $V_{CC} = 4.5V$	3.0		V
$V_{OL}$	Output Voltage LOW	$I_{OL} = +20\text{ mA}$ , $V_{CC} = 4.5V$		2.0	V
$V_{IC}$	Input Clamp Voltage	$I_I = -18\text{ mA}$		-1.3	V
$ V_{OD1} $	Differential Output Voltage	$I_O = 0\text{ mA}$ , $V_{IN} = 0.8V$ or $2V$ , $V_{CC} = 5.5V$		6.0	V
$ V_{OD2} $	Differential Output Voltage	$R_L = 100\Omega$ , $V_{CC} = 4.5V$ , <i>Figure 1</i>	2.0		V
		$R_L = 54\Omega$ , $V_{CC} = 4.5V$ , <i>Figure 1</i>	1.5		V
$\Delta V_{OD} $	Change in Magnitude of Differential Output Voltage (Note 5)	$R_L = 54\Omega$ or $100\Omega$ , <i>Figure 1</i> , $V_{CC} = 4.5V$		±0.2	V
$V_{OD3}$	Differential Output Voltage	$V_{CM} = -7V$ to $+12V$	1.0		V
$V_{OC}$	Common Mode Output Voltage (Note 6)	$R_L = 54\Omega$ or $100\Omega$		3.0	V
$\Delta V_{OC} $	Change in Magnitude of Common Mode Output Voltage (Note 5)	$V_{CC} = 4.5V$ , $R_L = 54\Omega$ or $100\Omega$		±0.2	V
$I_O$	Output Current (Note 9) (Includes Receiver $I_I$ )	Output Disabled $V_{CC} = 0V$ or $5.5V$		1.0	mA
		$V_O = +12V$		-0.8	mA
		$V_O = -7.0V$			mA
$I_{IH}$	Input Current HIGH	$V_I = 2.4V$		20	µA
$I_{IL}$	Input Current LOW	$V_I = 0.4V$		-50	µA
$I_{OS}$	Short Circuit Output Current (Note 10)	$V_O = -7.0V$ , $V_{IN} = 0V$ or $3V$		-250	mA
		$V_O = 0V$ , $V_{IN} = 0V$ or $3V$		-150	mA
		$V_O = V_{CC}$ , $V_{IN} = 0V$ or $3V$		150	mA
		$V_O = +12V$ , $V_{IN} = 0V$ or $3V$		250	mA
$I_{CC}$	Supply Current	No Load, $DE = 2V$ , $RE = 0.8V$ , Inputs Open		28	mA
$I_{CCX}$	(Total Package)	No Load, $DE = 0.8V$ , $RE = 2V$ , Inputs Open		25	mA

## MIL-STD 883C

### Driver Switching Characteristics

$V_{CC} = 5.0V$

Symbol	Parameter	Conditions	Min	Typ	$T_A = 25^\circ C$ Max	$T_A = 125^\circ C$ Max	$T_A = -55^\circ C$ Max	Units
$t_{DD}$	Differential Output Delay Time	$R_L = 60\Omega$ , Figure 3	8.0	15	25	30	30	ns
$t_{TD}$	Differential Output Transition Time		8.0	15	25	30	30	ns
$t_{PLH}$	Propagation Delay Time, Low-to-High Level Output	$R_L = 27\Omega$ , Figure 4	6.0	12	18	25	25	ns
$t_{PHL}$	Propagation Delay Time, High-to-Low Level Output		6.0	12	18	25	25	ns
$t_{ZH}$	Output Enable Time to High Level	$R_L = 110\Omega$ , Figure 5		25	35	45	45	ns
$t_{ZL}$	Output Enable Time to Low Level	$R_L = 110\Omega$ , Figure 6		25	40	50	50	ns
$t_{HZ}$	Output Disable Time from High Level	$R_L = 110\Omega$ , Figure 5		20	30	40	40	ns
$t_{LZ}$	Output Disable Time from Low Level	$R_L = 110\Omega$ , Figure 6		20	30	40	40	ns
$t_{LZL}$	Output Disable Time from Low Level with Load Resistor to GND	Load per Figure 5 Timing per Figure 6		300				ns
$t_{SKEW}$	Skew (Pulse Width Distortion)	$R_L = 60\Omega$ , Figure 3		1.0	6	12	12	ns

### Receiver Electrical Characteristics

Over recommended supply voltage and operating temperature ranges, unless otherwise specified

Symbol	Parameter	Conditions	Min	Max	Units
$V_{TH}$	Differential Input High Threshold Voltage	$V_O = 2.5V$ , $I_O = -0.4 mA$ , $V_{CM} = -7V, 0V, +12V$ $V_{CC} = 4.5V, 5.5V$		0.2	V
$V_{TL}$	Differential Input Low Threshold Voltage (Note 7)	$V_O = 0.5V$ , $I_O = 8.0 mA$ , $V_{CM} = -7V, 0V, +12V$ , $V_{CC} = 4.5V, 5.5V$	-0.2		V
$V_{T+}-V_{T-}$	Hysteresis (Note 8)	$V_{CM} = 0V$ , $V_{CC} = 4.5V, 5.5V$	35		mV
$V_{IH}$	Enable Input Voltage HIGH		2.0		V
$V_{IL}$	Enable Input Voltage LOW			0.8	V
$V_{IC}$	Enable Input Clamp Voltage	$I_I = -18 mA$ , $V_{CC} = 5.5V$		-1.3	V
$V_{OH}$	Output Voltage HIGH	$V_{ID} = 200 mV$ , $I_{OH} = -400 \mu A$ , Figure 2, $V_{CC} = 4.5V$		2.5	V
$V_{OL}$	Output Voltage LOW	$V_{ID} = -200 mV$ , Figure 2, $V_{CC} = 4.5V$		0.45 0.50	V
$I_{OZ}$	High Impedance State Output	$V_O = 0.4V, 2.4V$		$\pm 20$	$\mu A$
$I_I$	Line Input Current (Note 9)	Other Input = 0V $V_{CC} = 5.5V$ or $V_{CC} = 0V$		1.0	mA
		$V_I = +12V$ $V_I = -7.0V$	-0.8		
$I_{IH}$	Enable Input Current HIGH	$V_{IH} = 2.7V$		20	$\mu A$
$I_{IL}$	Enable Input Current LOW	$V_{IL} = 0.4V$		-50	$\mu A$
$R_I$	Input Resistance		10		k $\Omega$
$I_{OS}$	Short Circuit Output Current	$V_{IN} = 1V$ , $V_{OUT} = 0.0V$ (Note 10)	-15	-85	mA
$I_{CC}$	Supply Current (Total Package)	No Load, $DE = 2V$ , $\overline{RE} = 0.8V$ , Inputs Open		28	mA
$I_{CCX}$		No Load, $DE = 0.8V$ , $\overline{RE} = 2.0V$ , Inputs Open		25	

# MIL-STD 883C

## Receiver Switching Characteristics

V<sub>CC</sub> = 5.0V

Symbol	Parameter	Conditions	Min	Typ	T <sub>A</sub> = 25°C Max	T <sub>A</sub> = 125°C Max	T <sub>A</sub> = -55°C Max	Units
t <sub>PLH</sub>	Propagation Delay Time, Low-to-High Level Output	V <sub>ID</sub> = 0V to +3.0V C <sub>L</sub> = 15 pF, Figure 7	10	19	27	38	38	ns
t <sub>PHL</sub>	Propagation Delay Time, High-to-Low Level Output		10	19	27	38	38	ns
t <sub>ZH</sub>	Output Enable Time to High Level	C <sub>L</sub> = 15 pF, Figure 8		10	20	30	30	ns
t <sub>ZL</sub>	Output Enable Time to Low Level			12	20	30	30	ns
t <sub>HZ</sub>	Output Disable Time from High Level	C <sub>L</sub> = 5.0 pF, Figure 8		12	20	30	30	ns
		C <sub>L</sub> = 20.0 pF, Figure 8 (Note 16)		12	30	40	40	ns
t <sub>LZ</sub>	Output Disable Time from Low Level	C <sub>IL</sub> = 50 pF, Figure 8		12	20	30	30	ns
t <sub>PLH</sub> - t <sub>PHL</sub>	Pulse Width Distortion (SKEW)	Figure 7		1.0	8	16	16	ns

### Ordering Number:

DS16F95J/883, NS Package Number J08A

DS16F95E/883, NS Package Number E20A

DS16F95W/883, NS Package Number W10A

### SMD Number:

DS16F95J/883 ↔ 5962-8961501PA

DS16F95W-SMD ↔ 5962-8961501HA

DS16F95E/883 ↔ 5962-89615012A

### Parameter Measurement Information

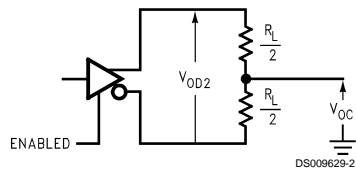


FIGURE 1. Driver V<sub>OD</sub> and V<sub>OC</sub> (Note 15)

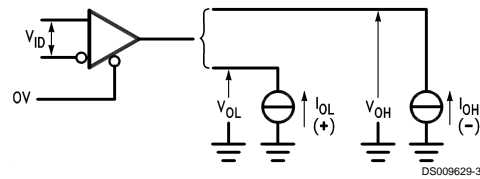
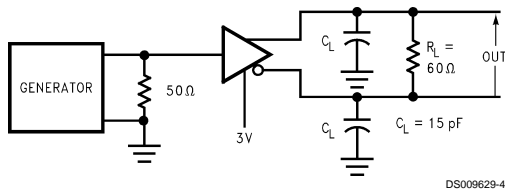
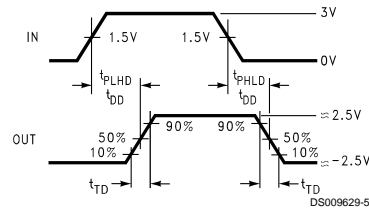


FIGURE 2. Receiver V<sub>OH</sub> and V<sub>OL</sub>



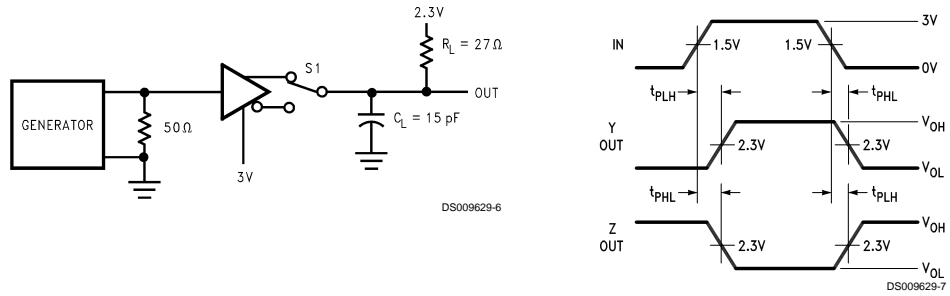
DS009629-4



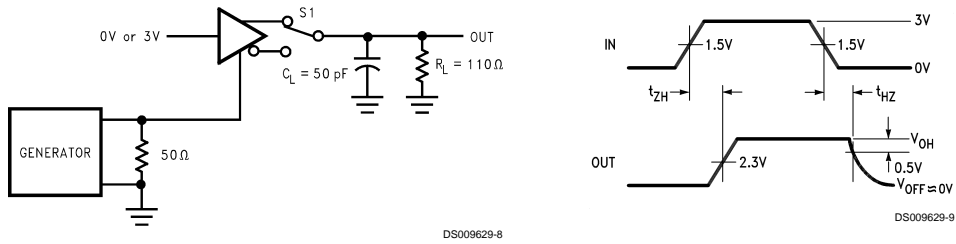
DS009629-5

FIGURE 3. Driver Differential Output Delay and Transition Times (Notes 12, 14)

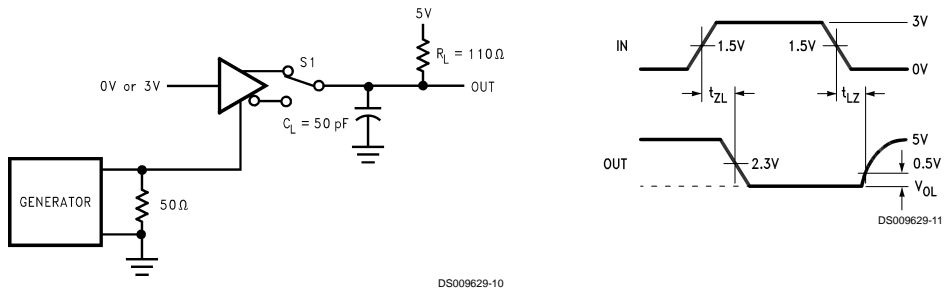
**Parameter Measurement Information** (Continued)



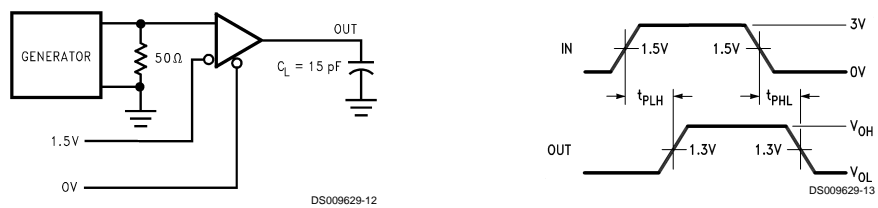
**FIGURE 4. Driver Propagation Times** (Notes 12, 13)



**FIGURE 5. Driver Enable and Disable Times ( $t_{ZH}$ ,  $t_{HZ}$ )** (Notes 12, 13, 14)

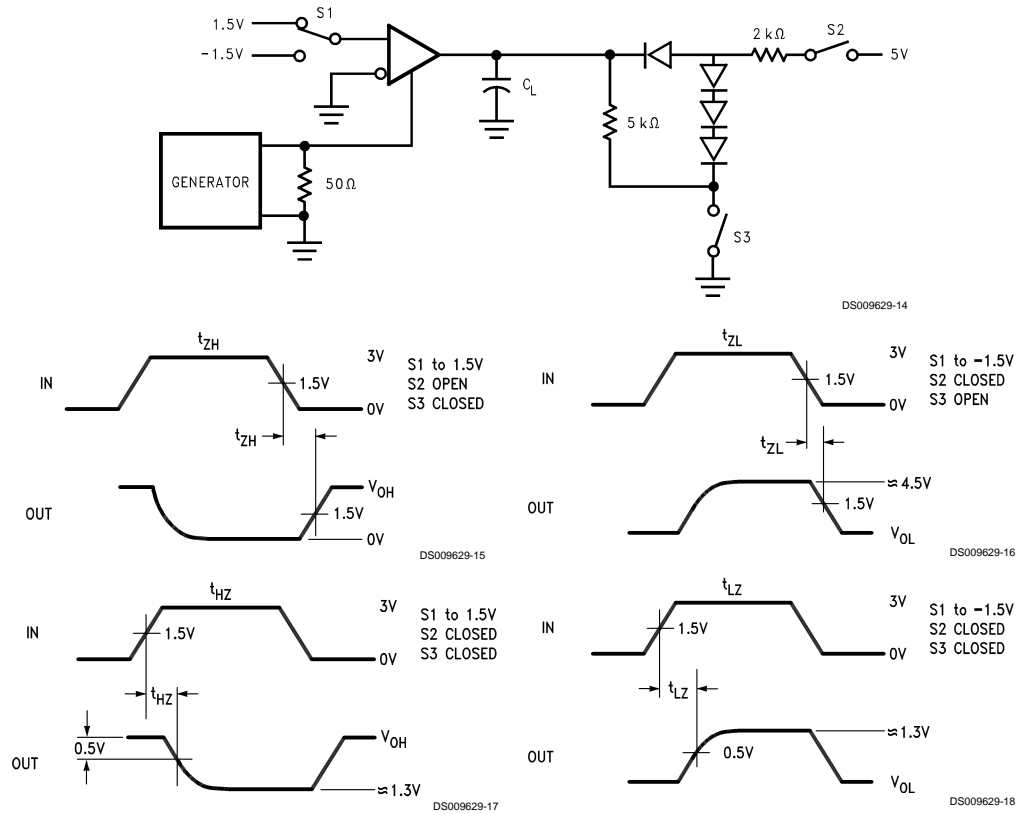


**FIGURE 6. Driver Enable and Disable Times ( $t_{ZL}$ ,  $t_{LZ}$ ,  $t_{LZL}$ )** (Notes 12, 13, 14)



**FIGURE 7. Receiver Propagation Delay Times** (Notes 12, 13)

## Parameter Measurement Information (Continued)



**FIGURE 8. Receiver Enable and Disable Times (Notes 12, 13, 15)**

**Note 12:** The input pulse is supplied by a generator having the following characteristics: PRR = 1.0 MHz, 50% duty cycle,  $t_r \leq 6.0$  ns,  $t_f \leq 6.0$  ns,  $Z_O = 50\Omega$ .

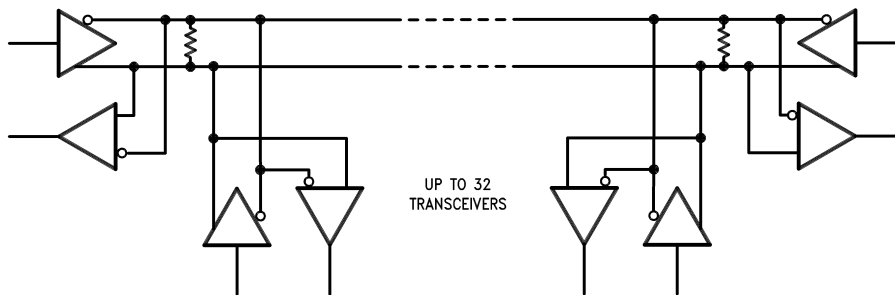
**Note 13:**  $C_L$  includes probe and stray capacitance.

**Note 14:** DS16F95/DS36F95 Driver enable is Active-High.

**Note 15:** All diodes are 1N916 or equivalent.

**Note 16:** Testing at 20 pF assures conformance to 5 pF specification.

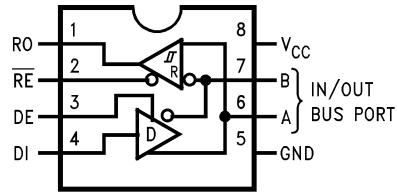
## Typical Application



The line should be terminated at both ends in its characteristic impedance, typically  $120\Omega$ . Stub lengths off the main line should be kept as short as possible.

## Connection Diagrams

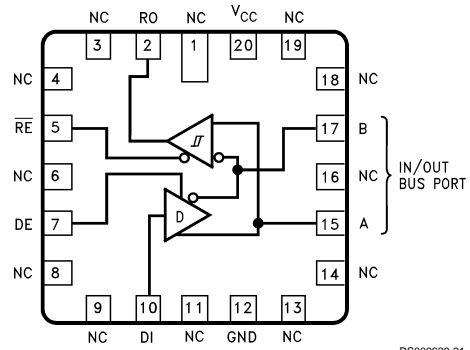
**8-Lead Dual-In-Line Package or Small Outline Molded Package**



DS009629-1

Order Number DS16F95, DS16F95J/883, DS36F95J,  
DS36F95M  
See NS Package Number J08A, or M08A

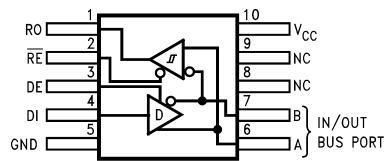
**20-Lead Ceramic Leadless Chip Carrier**



DS009629-21

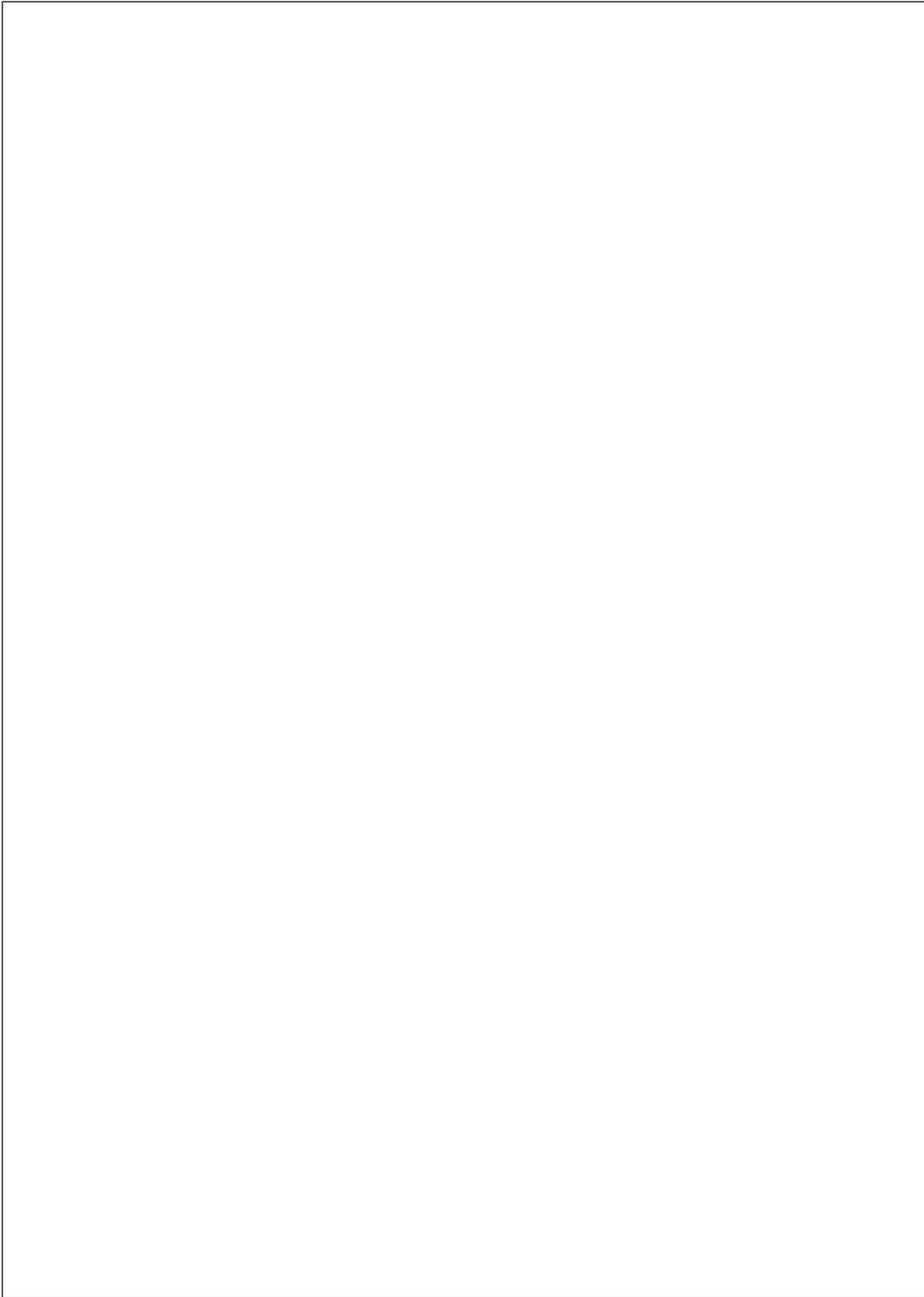
Order Number DS16F95E/883  
See NS Package Number E20A

**10-Lead Ceramic Flatpak**

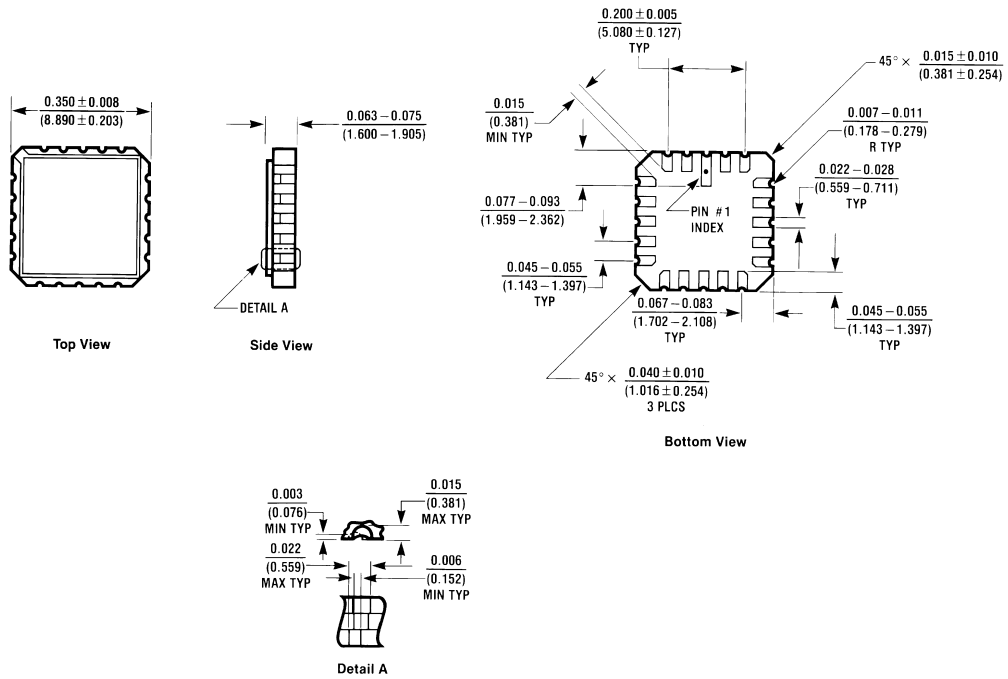


DS009629-22

Order Number DS16F95W/883  
See NS Package Number W10A



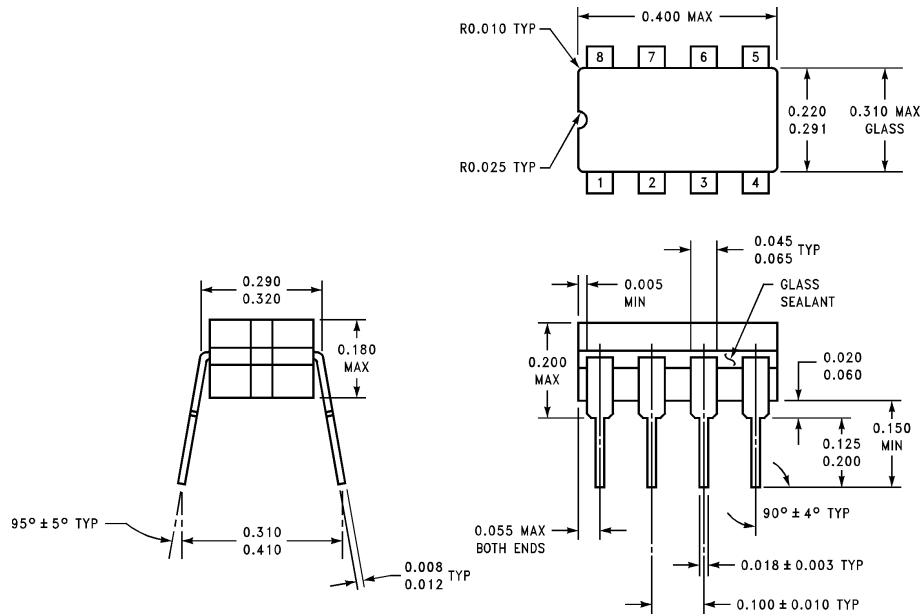
**Physical Dimensions** inches (millimeters) unless otherwise noted



E20A (REV D)

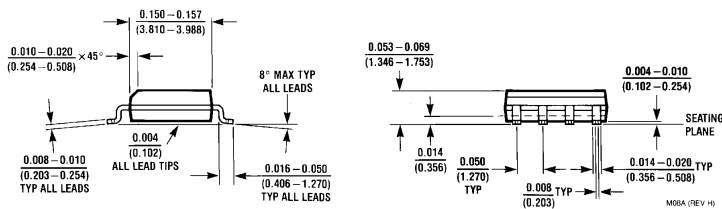
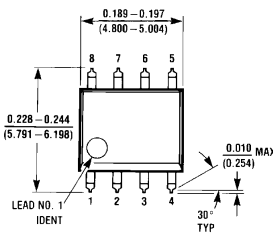
**20-Lead Ceramic Leadless Chip Carrier (E)**  
**Order Number DS16F95E/883**  
**NS Package Number E20A**

**Physical Dimensions** inches (millimeters) unless otherwise noted (Continued)



J08A (REV K)

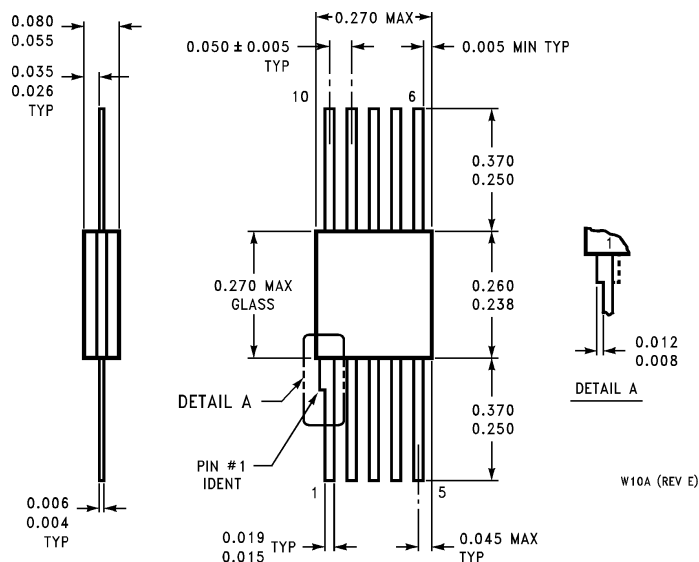
**8 Narrow Lead Ceramic Dual-In-Line Package (J)**  
**Order Number DS16F95J, DS16F95J/883 or DS36F95J**  
**NS Package Number J08A**



M08A (REV H)

**8-Lead (0.150" Wide) Molded Small Outline Package, JEDEC**  
**Order Number DS36F95M**  
**NS Package Number M08A**

**Physical Dimensions** inches (millimeters) unless otherwise noted (Continued)



**10-Lead Ceramic Flatpak (W)**  
**Order Number DS16F95W/883**  
**NS Package Number W10A**

**LIFE SUPPORT POLICY**

NATIONAL'S PRODUCTS ARE NOT AUTHORIZED FOR USE AS CRITICAL COMPONENTS IN LIFE SUPPORT DEVICES OR SYSTEMS WITHOUT THE EXPRESS WRITTEN APPROVAL OF THE PRESIDENT OF NATIONAL SEMICONDUCTOR CORPORATION. As used herein:

1. Life support devices or systems are devices or systems which, (a) are intended for surgical implant into the body, or (b) support or sustain life, and whose failure to perform when properly used in accordance with instructions for use provided in the labeling, can be reasonably expected to result in a significant injury to the user.
2. A critical component in any component of a life support device or system whose failure to perform can be reasonably expected to cause the failure of the life support device or system, or to affect its safety or effectiveness.



**National Semiconductor Corporation**  
 Americas  
 Tel: 1-800-272-9959  
 Fax: 1-800-737-7018  
 Email: support@nsc.com

**National Semiconductor Europe**  
 Fax: +49 (0) 1 80-530 85 86  
 Email: europe.support@nsc.com  
 Deutsch Tel: +49 (0) 1 80-530 85 85  
 English Tel: +49 (0) 1 80-532 78 32  
 Français Tel: +49 (0) 1 80-532 93 58  
 Italiano Tel: +49 (0) 1 80-534 16 80

**National Semiconductor Asia Pacific Customer Response Group**  
 Tel: 65-2544466  
 Fax: 65-2504466  
 Email: sea.support@nsc.com

**National Semiconductor Japan Ltd.**  
 Tel: 81-3-5620-6175  
 Fax: 81-3-5620-6179

www.national.com

## Looking for pricing, stock, or lifecycle information?

Click below to explore more details on WIN SOURCE:

 [View DS16F95J on WIN SOURCE](#)

 [Texas Instruments](#) Information

## Optimize Your Supply Chain with WIN SOURCE Solutions

-  Global Sourcing Solution
-  Obsolete Management
-  Cost Control Management
-  Shortage Management
-  Alternative Solution
-  Excess Inventory Management