



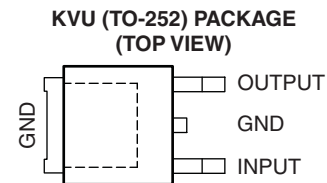
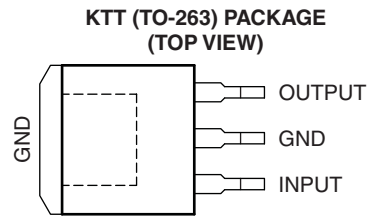
**THE DATASHEET OF  
TL760M25QKTTRQ1**



## LOW-DROPOUT FIXED-VOLTAGE REGULATORS

### FEATURES

- Qualified for Automotive Applications
- $\pm 3\%$  Output Voltage Variation Across Load and Temperature
- Load-Dump Protection
- 500-mV Maximum Dropout Voltage at 500 mA (3.3-V Option)
- Fixed 1.8-V, 2.5-V, and 3.3-V Outputs
- Internal Thermal-Overload Protection
- Internal Overvoltage Protection
- Customer-Specific Configuration Control Can Be Supported Along With Major-Change Approval
- TLE4274 Alternative



### DESCRIPTION/ORDERING INFORMATION

The TL760M family of low-dropout regulators offers a variety of fixed-voltage options that offer a maximum continuous input voltage of 26 V. Utilizing a pnp pass element, these regulators are capable of sourcing 500 mA of current, with a specified maximum dropout of 500 mV (3.3-V and 2.5-V options), making these regulators ideal for low-voltage applications. Additionally, the TL760M regulators offer very tight output accuracy of  $\pm 3\%$  across operating load and temperature ranges. Other convenient features the regulators provide are internal overcurrent limiting, thermal-overload protection, and overvoltage protection. The TL760M is load-dump protected to its maximum operating condition of 45 V. Stability has been optimized for typical automotive applications and low-cost capacitors. The TL760M family of regulators is available in fixed voltages of 1.8 V, 2.5 V, and 3.3 V.

### ORDERING INFORMATION<sup>(1)</sup>

$T_A$	$V_O$ (TYP)	PACKAGE <sup>(2)</sup>		ORDERABLE PART NUMBER	TOP-SIDE MARKING
–40°C to 125°C	1.8 V	TO-263 – KTT	Reel of 500	TL760M18QKTTRQ1	PREVIEW
	2.5V	TO-263 – KTT	Reel of 500	TL760M25QKTTRQ1	PREVIEW
	3.3 V	TO-263 – KTT	Reel of 500	TL760M33QKTTRQ1	TL760M33Q1
		TO-252 – KVU	Reel of 2500	TL760M33QKVURQ1	760M33Q1

(1) For the most current package and ordering information, see the Package Option Addendum at the end of this document, or see the TI web site at [www.ti.com](http://www.ti.com).

(2) Package drawings, thermal data, and symbolization are available at [www.ti.com/packaging](http://www.ti.com/packaging).



Please be aware that an important notice concerning availability, standard warranty, and use in critical applications of Texas Instruments semiconductor products and disclaimers thereto appears at the end of this data sheet.

### ABSOLUTE MAXIMUM RATINGS<sup>(1)</sup>

over operating virtual junction temperature range (unless otherwise noted)

$V_I$	Maximum input voltage	45 V
$T_J$	Operating virtual junction temperature	150°C
$T_{stg}$	Storage temperature range	–65°C to 150°C

(1) Stresses beyond those listed under *absolute maximum ratings* may cause permanent damage to the device. These are stress ratings only, and functional operation of the device at these or any other conditions beyond those indicated under *recommended operating conditions* is not implied. Exposure to absolute-maximum-rated conditions for extended periods may affect device reliability.

### PACKAGE THERMAL DATA<sup>(1)</sup>

PACKAGE	BOARD	$\theta_{JA}$
TO-252 (KVU)	High K, JESD 51-5	30.3°C/W
TO-263 (KTT)	High K, JESD 51-5	26.9°C/W

(1) Maximum power dissipation is a function of  $T_J(\text{max})$ ,  $\theta_{JA}$ , and  $T_A$ . The maximum allowable power dissipation at any allowable ambient temperature is  $P_D = (T_J(\text{max}) - T_A)/\theta_{JA}$ . Operating at the absolute maximum  $T_J$  of 150°C can impact reliability.

### TL760M33 THERMAL RESISTANCE

1-oz copper, one-layer PCB

THERMAL RESISTANCE	VALUE
$R_{JA}$	55°C/W (area = 240 mm <sup>2</sup> )
$R_{JC}$	5.5°C/W from FET to tab
$R_{JC}$	0.1°C/W from die center to tab

### RECOMMENDED OPERATING CONDITIONS

	MIN	MAX	UNIT
$V_I$ Input voltage <sup>(1)</sup>	3	26	V
$I_O$ Output current	0	500	mA
$T_J$ Operating virtual-junction temperature	–40	150	°C

(1) Minimum  $V_I$  is equal to 3 V or  $V_O(\text{max}) + 0.6$  V, whichever is greater.

## TL760M33 ELECTRICAL CHARACTERISTICS

 $V_I = 6\text{ V}$ ,  $I_O = 500\text{ mA}$ ,  $T_J = -40^\circ\text{C}$  to  $150^\circ\text{C}$  (unless otherwise noted)

PARAMETER		TEST CONDITIONS <sup>(1)</sup>		MIN	TYP	MAX	UNIT
$V_O$	Output voltage	$I_O = 5\text{ mA}$ to $500\text{ mA}$ , $V_I = 3.8\text{ V}$ to $26\text{ V}$ , $T_J = 125^\circ\text{C}$		3.2	3.3	3.4	V
		$T_J = 150^\circ\text{C}$ , $I_O = 5\text{ mA}$ to $300\text{ mA}$ , $V_I = 3.8\text{ V}$ to $26\text{ V}$		3.2	3.3	3.4	
$I_Q$	Current consumption, $I_Q = I_I - I_O$	$V_I = 6\text{ V}$	$I_O = 250\text{ mA}$	8		15	mA
			$I_O = 500\text{ mA}$	20		30	
Line regulation		$V_I = 3\text{ V}$ to $28\text{ V}$		10		25	mV
PSRR	Power-supply ripple rejection	$f = 100\text{ Hz}$ , $V_{\text{ripple}} = 0.5\text{ V}_{\text{PP}}$ , $V_I = 6\text{ V}$		62			dB
Load regulation		$I_O = 5\text{ mA}$ to $500\text{ mA}$		5		30	mV
$V_{\text{DO}}$	Dropout voltage <sup>(2)</sup>	$I_O = 250\text{ mA}$				400	mV
		$I_O = 500\text{ mA}$				500	

- (1) Pulse-testing techniques are used to maintain the virtual junction temperature as close to the ambient temperature as possible. Thermal effects must be taken into account separately. All characteristics are measured with a  $0.1\text{-}\mu\text{F}$  capacitor across the input and a  $22\text{-}\mu\text{F}$  tantalum capacitor, with equivalent series resistance of  $1.5\ \Omega$  on the output.
- (2) Measured when the output voltage,  $V_O$ , has dropped  $100\text{ mV}$  from the nominal value obtained when  $V_I = 6\text{ V}$

## TL760M25 ELECTRICAL CHARACTERISTICS

 $V_I = 6\text{ V}$ ,  $I_O = 500\text{ mA}$ ,  $T_J = -40^\circ\text{C}$  to  $125^\circ\text{C}$  (unless otherwise noted)

PARAMETER		TEST CONDITIONS <sup>(1)</sup>		MIN	TYP	MAX	UNIT
$V_O$	Output voltage	$I_O = 5\text{ mA}$ to $500\text{ mA}$ , $V_I = 3\text{ V}$ to $26\text{ V}$		2.425	2.5	2.575	V
$I_Q$	Current consumption, $I_Q = I_I - I_O$	$V_I = 6\text{ V}$	$I_O = 250\text{ mA}$	8		15	mA
			$I_O = 500\text{ mA}$	20		30	
Line regulation		$V_I = 3\text{ V}$ to $28\text{ V}$		10		25	mV
PSRR	Power-supply ripple rejection	$f = 100\text{ Hz}$ , $V_{\text{ripple}} = 0.5\text{ V}_{\text{PP}}$ , $V_I = 6\text{ V}$		62			dB
Load regulation		$I_O = 5\text{ mA}$ to $500\text{ mA}$		4		23	mV
$V_{\text{DO}}$	Dropout voltage <sup>(2)</sup>	$I_O = 250\text{ mA}$				400	mV
		$I_O = 500\text{ mA}$				500	

- (1) Pulse-testing techniques are used to maintain the virtual junction temperature as close to the ambient temperature as possible. Thermal effects must be taken into account separately. All characteristics are measured with a  $0.1\text{-}\mu\text{F}$  capacitor across the input and a  $22\text{-}\mu\text{F}$  tantalum capacitor, with equivalent series resistance of  $1.5\ \Omega$  on the output.
- (2) Measured when the output voltage,  $V_O$ , has dropped  $100\text{ mV}$  from the nominal value obtained when  $V_I = 6\text{ V}$

## TL760M18 ELECTRICAL CHARACTERISTICS

 $V_I = 6\text{ V}$ ,  $I_O = 500\text{ mA}$ ,  $T_J = -40^\circ\text{C}$  to  $125^\circ\text{C}$  (unless otherwise noted)

PARAMETER		TEST CONDITIONS <sup>(1)</sup>		MIN	TYP	MAX	UNIT
$V_O$	Output voltage	$I_O = 5\text{ mA}$ to $500\text{ mA}$ , $V_I = 3\text{ V}$ to $26\text{ V}$		1.746	1.8	1.854	V
$I_Q$	Current consumption, $I_Q = I_I - I_O$	$V_I = 6\text{ V}$	$I_O = 250\text{ mA}$	8		15	mA
			$I_O = 500\text{ mA}$	20		30	
Line regulation		$V_I = 3\text{ V}$ to $28\text{ V}$		10		25	mV
PSRR	Power-supply ripple rejection	$f = 100\text{ Hz}$ , $V_{\text{ripple}} = 0.5\text{ V}_{\text{PP}}$ , $V_I = 6\text{ V}$		62			dB
Load regulation		$I_O = 5\text{ mA}$ to $500\text{ mA}$		3		17	mV
$V_{\text{DO}}$	Dropout voltage	$I_O = 250\text{ mA}$				(2)	mV
		$I_O = 500\text{ mA}$				(2)	

- (1) Pulse-testing techniques are used to maintain the virtual junction temperature as close to the ambient temperature as possible. Thermal effects must be taken into account separately. All characteristics are measured with a  $0.1\text{-}\mu\text{F}$  capacitor across the input and a  $22\text{-}\mu\text{F}$  tantalum capacitor, with equivalent series resistance of  $1.5\ \Omega$  on the output.
- (2) Dropout voltage is limited by the input voltage range, with minimum  $V_I = 3\text{ V}$

## COMPENSATION-CAPACITOR SELECTION INFORMATION

The TL760M is a low-dropout regulator. This means that the capacitance loading is important to the performance of the regulator because it is a vital part of the control loop. The capacitor value and the equivalent series resistance (ESR) both affect the control loop and must be defined for the load range. Figure 1 can be used to establish the capacitance value and ESR range for the best regulator performance.

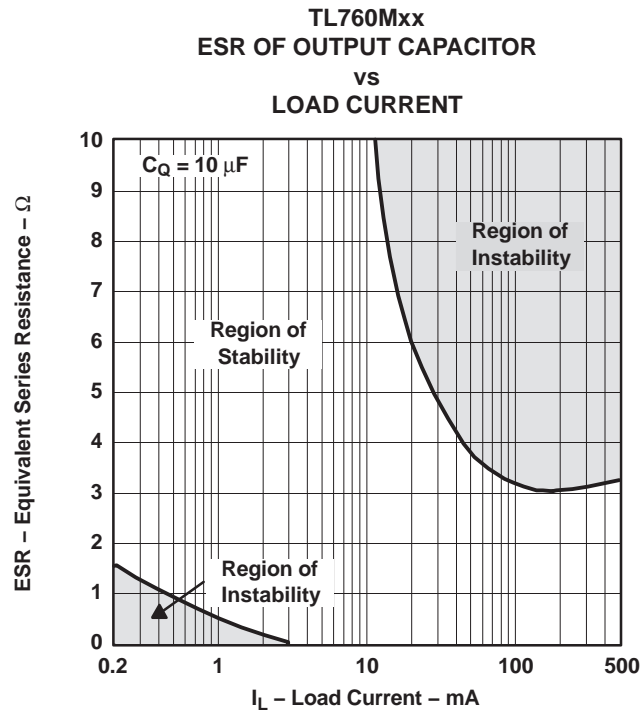


Figure 1.

## TYPICAL APPLICATION SCHEMATIC

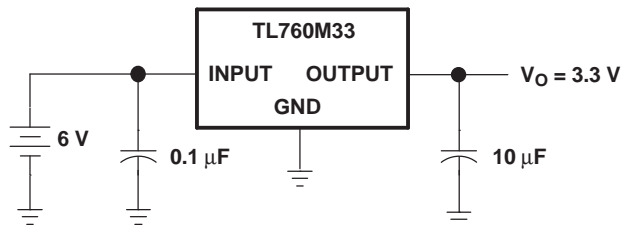


Figure 2.

TYPICAL CHARACTERISTICS

OUTPUT VOLTAGE  
vs  
JUNCTION TEMPERATURE  
(M33 VERSION)

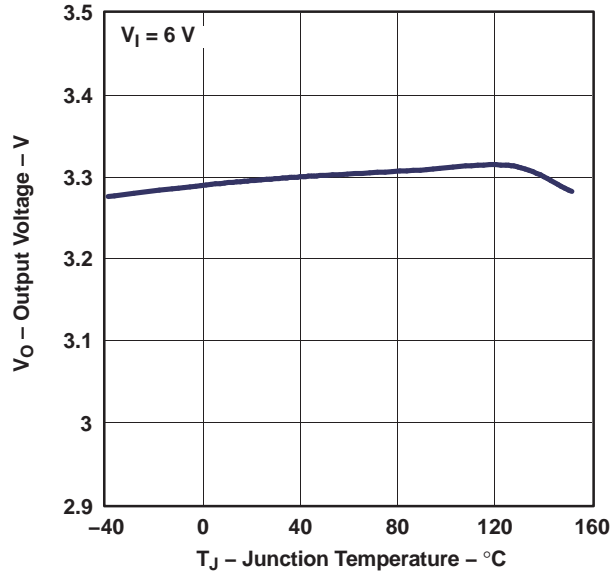


Figure 3.

OUTPUT VOLTAGE  
vs  
JUNCTION TEMPERATURE  
(M25 VERSION)

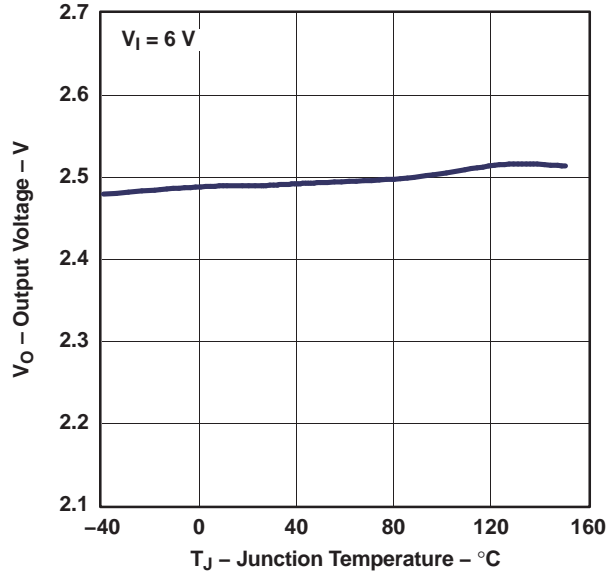


Figure 4.

OUTPUT VOLTAGE  
vs  
JUNCTION TEMPERATURE  
(M18 VERSION)

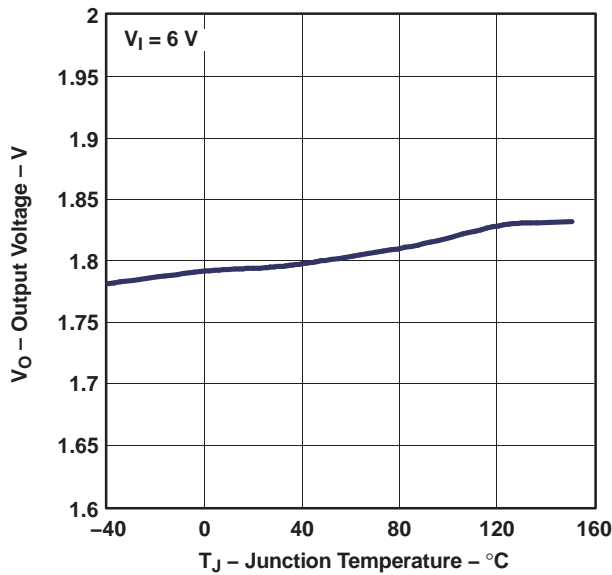


Figure 5.

INPUT CURRENT  
vs  
INPUT VOLTAGE  
(M33 VERSION)

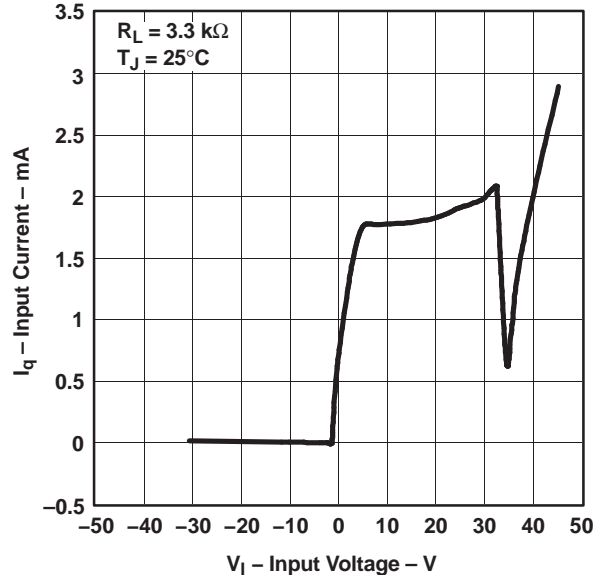


Figure 6.

TYPICAL CHARACTERISTICS (continued)

INPUT CURRENT  
 vs  
 INPUT VOLTAGE  
 (M25 VERSION)

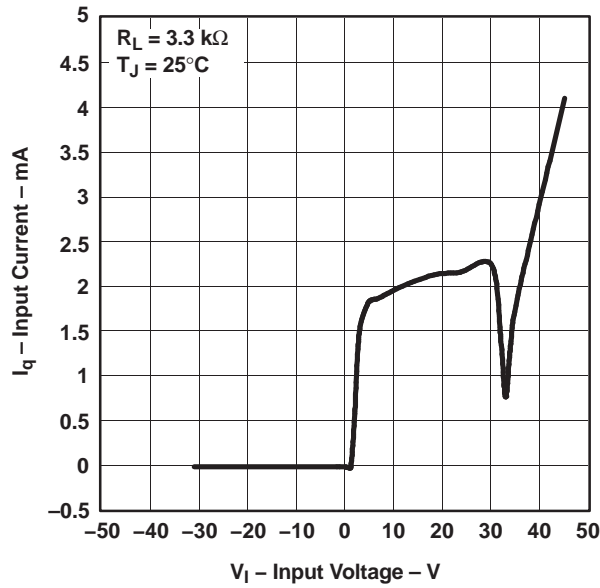


Figure 7.

INPUT CURRENT  
 vs  
 INPUT VOLTAGE  
 (M18 VERSION)

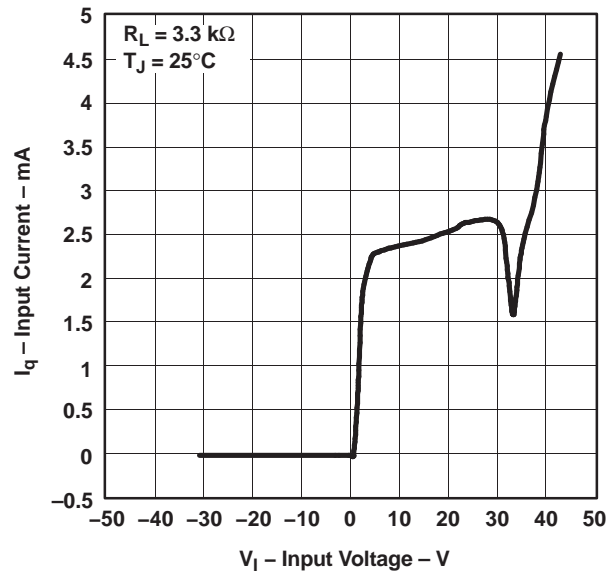


Figure 8.

**PACKAGING INFORMATION**

Orderable Device	Status <sup>(1)</sup>	Package Type	Package Drawing	Pins	Package Qty	Eco Plan <sup>(2)</sup>	Lead/Ball Finish	MSL Peak Temp <sup>(3)</sup>
TL760M33QKTTTRQ1	ACTIVE	DDPAK/ TO-263	KTT	3	500	Green (RoHS & no Sb/Br)	CU SN	Level-3-245C-168 HR
TL760M33QKVURQ1	ACTIVE	PFM	KVU	3	2500	Green (RoHS & no Sb/Br)	CU SN	Level-3-260C-168 HR

<sup>(1)</sup> The marketing status values are defined as follows:

**ACTIVE:** Product device recommended for new designs.

**LIFEBUY:** TI has announced that the device will be discontinued, and a lifetime-buy period is in effect.

**NRND:** Not recommended for new designs. Device is in production to support existing customers, but TI does not recommend using this part in a new design.

**PREVIEW:** Device has been announced but is not in production. Samples may or may not be available.

**OBsolete:** TI has discontinued the production of the device.

<sup>(2)</sup> Eco Plan - The planned eco-friendly classification: Pb-Free (RoHS), Pb-Free (RoHS Exempt), or Green (RoHS & no Sb/Br) - please check <http://www.ti.com/productcontent> for the latest availability information and additional product content details.

**TBD:** The Pb-Free/Green conversion plan has not been defined.

**Pb-Free (RoHS):** TI's terms "Lead-Free" or "Pb-Free" mean semiconductor products that are compatible with the current RoHS requirements for all 6 substances, including the requirement that lead not exceed 0.1% by weight in homogeneous materials. Where designed to be soldered at high temperatures, TI Pb-Free products are suitable for use in specified lead-free processes.

**Pb-Free (RoHS Exempt):** This component has a RoHS exemption for either 1) lead-based flip-chip solder bumps used between the die and package, or 2) lead-based die adhesive used between the die and leadframe. The component is otherwise considered Pb-Free (RoHS compatible) as defined above.

**Green (RoHS & no Sb/Br):** TI defines "Green" to mean Pb-Free (RoHS compatible), and free of Bromine (Br) and Antimony (Sb) based flame retardants (Br or Sb do not exceed 0.1% by weight in homogeneous material)

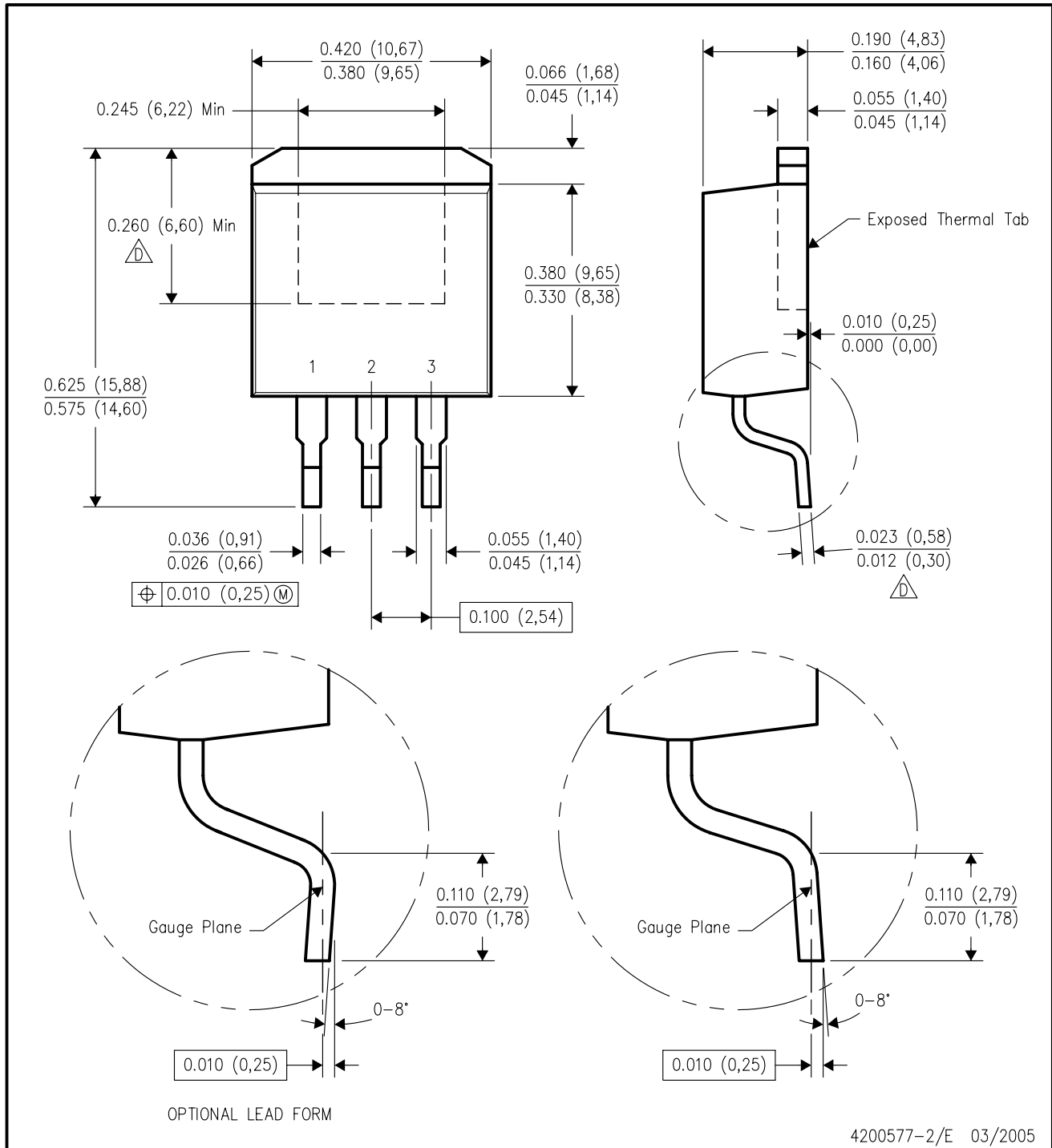
<sup>(3)</sup> MSL, Peak Temp. -- The Moisture Sensitivity Level rating according to the JEDEC industry standard classifications, and peak solder temperature.

**Important Information and Disclaimer:**The information provided on this page represents TI's knowledge and belief as of the date that it is provided. TI bases its knowledge and belief on information provided by third parties, and makes no representation or warranty as to the accuracy of such information. Efforts are underway to better integrate information from third parties. TI has taken and continues to take reasonable steps to provide representative and accurate information but may not have conducted destructive testing or chemical analysis on incoming materials and chemicals. TI and TI suppliers consider certain information to be proprietary, and thus CAS numbers and other limited information may not be available for release.

In no event shall TI's liability arising out of such information exceed the total purchase price of the TI part(s) at issue in this document sold by TI to Customer on an annual basis.

KTT (R-PSFM-G3)

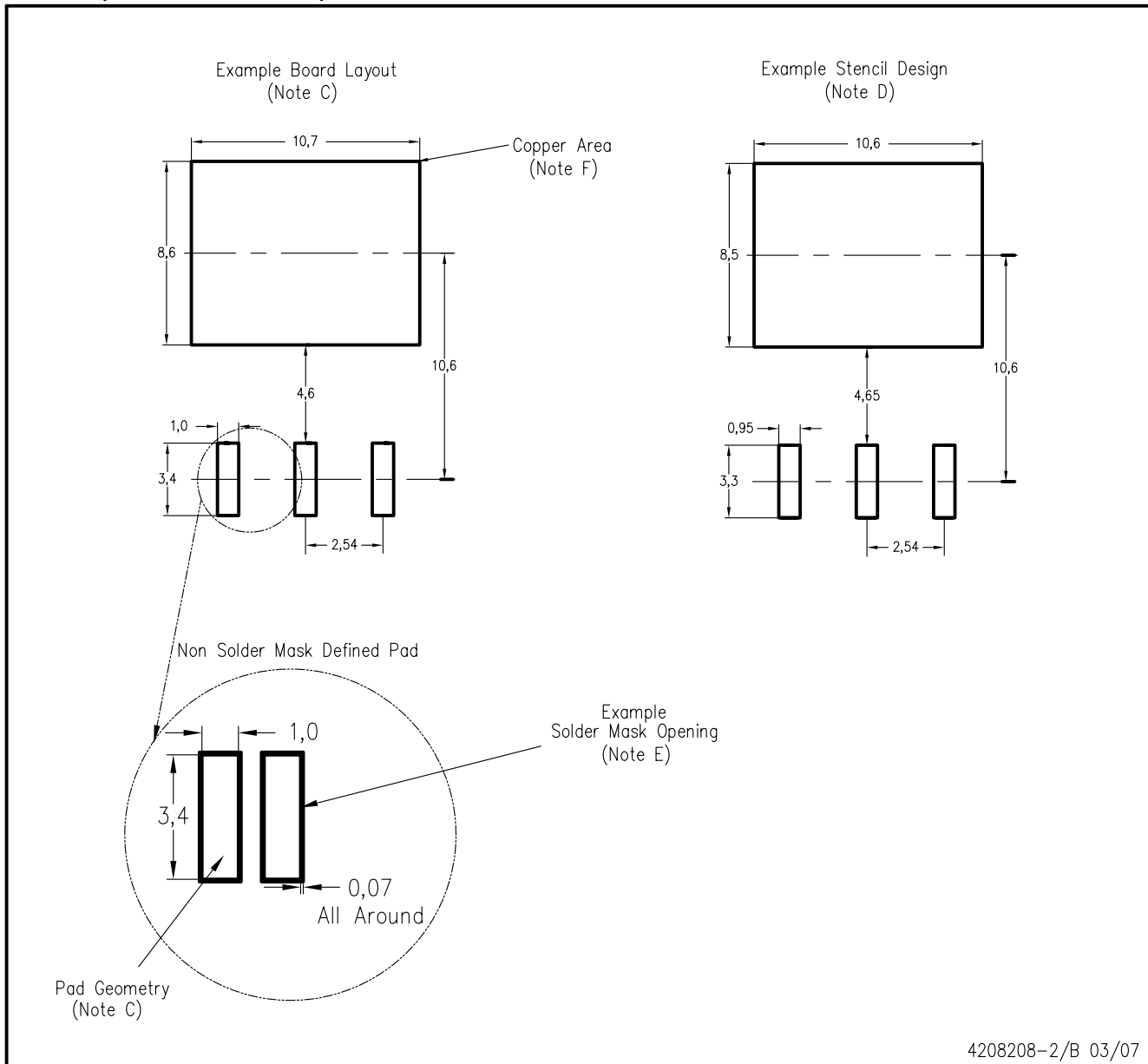
PLASTIC FLANGE-MOUNT PACKAGE



4200577-2/E 03/2005

- NOTES:
- A. All linear dimensions are in inches (millimeters).
  - B. This drawing is subject to change without notice.
  - C. Body dimensions do not include mold flash or protrusion. Mold flash or protrusion not to exceed 0.005 (0,13) per side.
- △ Falls within JEDEC TO-263 variation AA, except minimum lead thickness and minimum exposed pad length.

KTT (R-PSFM-G3)

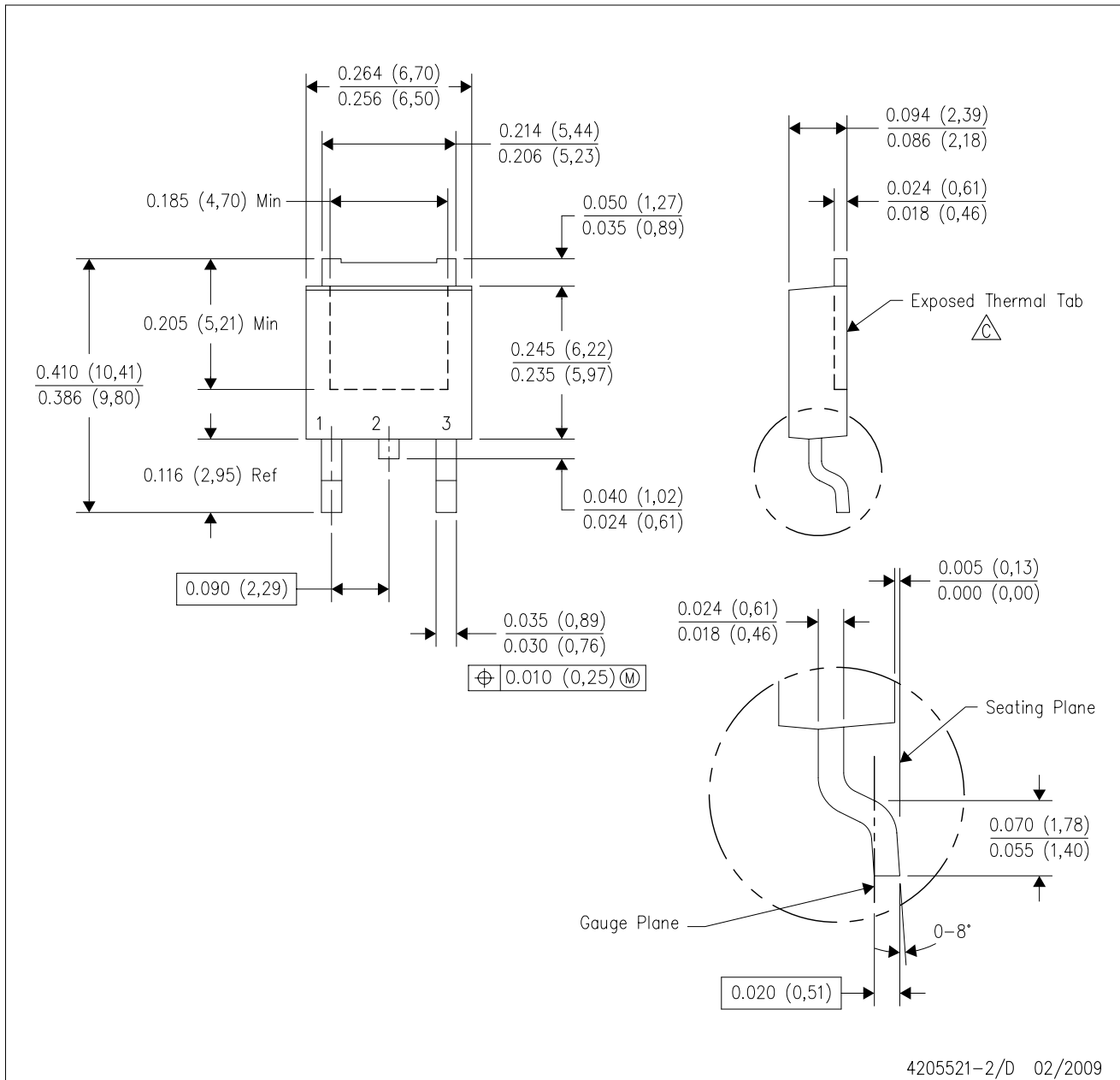


- NOTES:
- A. All linear dimensions are in millimeters.
  - B. This drawing is subject to change without notice.
  - C. Publication IPC-SM-782 is recommended for alternate designs.
  - D. Laser cutting apertures with trapezoidal walls and also rounding corners will offer better paste release. Customers should contact their board assembly site for stencil design recommendations. Refer to IPC-7525.
  - E. Customers should contact their board fabrication site for solder mask tolerances between and around signal pads.
  - F. This package is designed to be soldered to a thermal pad on the board. Refer to the Product Datasheet for specific thermal information, via requirements, and recommended thermal pad size. For thermal pad sizes larger than shown a solder mask defined pad is recommended in order to maintain the solderable pad geometry while increasing copper area.

# MECHANICAL DATA

KVU (R-PSFM-G3)

PLASTIC FLANGE-MOUNT PACKAGE



## IMPORTANT NOTICE

Texas Instruments Incorporated and its subsidiaries (TI) reserve the right to make corrections, modifications, enhancements, improvements, and other changes to its products and services at any time and to discontinue any product or service without notice. Customers should obtain the latest relevant information before placing orders and should verify that such information is current and complete. All products are sold subject to TI's terms and conditions of sale supplied at the time of order acknowledgment.

TI warrants performance of its hardware products to the specifications applicable at the time of sale in accordance with TI's standard warranty. Testing and other quality control techniques are used to the extent TI deems necessary to support this warranty. Except where mandated by government requirements, testing of all parameters of each product is not necessarily performed.

TI assumes no liability for applications assistance or customer product design. Customers are responsible for their products and applications using TI components. To minimize the risks associated with customer products and applications, customers should provide adequate design and operating safeguards.

TI does not warrant or represent that any license, either express or implied, is granted under any TI patent right, copyright, mask work right, or other TI intellectual property right relating to any combination, machine, or process in which TI products or services are used. Information published by TI regarding third-party products or services does not constitute a license from TI to use such products or services or a warranty or endorsement thereof. Use of such information may require a license from a third party under the patents or other intellectual property of the third party, or a license from TI under the patents or other intellectual property of TI.

Reproduction of TI information in TI data books or data sheets is permissible only if reproduction is without alteration and is accompanied by all associated warranties, conditions, limitations, and notices. Reproduction of this information with alteration is an unfair and deceptive business practice. TI is not responsible or liable for such altered documentation. Information of third parties may be subject to additional restrictions.

Resale of TI products or services with statements different from or beyond the parameters stated by TI for that product or service voids all express and any implied warranties for the associated TI product or service and is an unfair and deceptive business practice. TI is not responsible or liable for any such statements.

TI products are not authorized for use in safety-critical applications (such as life support) where a failure of the TI product would reasonably be expected to cause severe personal injury or death, unless officers of the parties have executed an agreement specifically governing such use. Buyers represent that they have all necessary expertise in the safety and regulatory ramifications of their applications, and acknowledge and agree that they are solely responsible for all legal, regulatory and safety-related requirements concerning their products and any use of TI products in such safety-critical applications, notwithstanding any applications-related information or support that may be provided by TI. Further, Buyers must fully indemnify TI and its representatives against any damages arising out of the use of TI products in such safety-critical applications.

TI products are neither designed nor intended for use in military/aerospace applications or environments unless the TI products are specifically designated by TI as military-grade or "enhanced plastic." Only products designated by TI as military-grade meet military specifications. Buyers acknowledge and agree that any such use of TI products which TI has not designated as military-grade is solely at the Buyer's risk, and that they are solely responsible for compliance with all legal and regulatory requirements in connection with such use.

TI products are neither designed nor intended for use in automotive applications or environments unless the specific TI products are designated by TI as compliant with ISO/TS 16949 requirements. Buyers acknowledge and agree that, if they use any non-designated products in automotive applications, TI will not be responsible for any failure to meet such requirements.

Following are URLs where you can obtain information on other Texas Instruments products and application solutions:

<b>Products</b>		<b>Applications</b>	
Amplifiers	<a href="http://amplifier.ti.com">amplifier.ti.com</a>	Audio	<a href="http://www.ti.com/audio">www.ti.com/audio</a>
Data Converters	<a href="http://dataconverter.ti.com">dataconverter.ti.com</a>	Automotive	<a href="http://www.ti.com/automotive">www.ti.com/automotive</a>
DLP® Products	<a href="http://www.dlp.com">www.dlp.com</a>	Communications and Telecom	<a href="http://www.ti.com/communications">www.ti.com/communications</a>
DSP	<a href="http://dsp.ti.com">dsp.ti.com</a>	Computers and Peripherals	<a href="http://www.ti.com/computers">www.ti.com/computers</a>
Clocks and Timers	<a href="http://www.ti.com/clocks">www.ti.com/clocks</a>	Consumer Electronics	<a href="http://www.ti.com/consumer-apps">www.ti.com/consumer-apps</a>
Interface	<a href="http://interface.ti.com">interface.ti.com</a>	Energy	<a href="http://www.ti.com/energy">www.ti.com/energy</a>
Logic	<a href="http://logic.ti.com">logic.ti.com</a>	Industrial	<a href="http://www.ti.com/industrial">www.ti.com/industrial</a>
Power Mgmt	<a href="http://power.ti.com">power.ti.com</a>	Medical	<a href="http://www.ti.com/medical">www.ti.com/medical</a>
Microcontrollers	<a href="http://microcontroller.ti.com">microcontroller.ti.com</a>	Security	<a href="http://www.ti.com/security">www.ti.com/security</a>
RFID	<a href="http://www.ti-rfid.com">www.ti-rfid.com</a>	Space, Avionics & Defense	<a href="http://www.ti.com/space-avionics-defense">www.ti.com/space-avionics-defense</a>
RF/IF and ZigBee® Solutions	<a href="http://www.ti.com/lprf">www.ti.com/lprf</a>	Video and Imaging	<a href="http://www.ti.com/video">www.ti.com/video</a>
		Wireless	<a href="http://www.ti.com/wireless-apps">www.ti.com/wireless-apps</a>

Mailing Address: Texas Instruments, Post Office Box 655303, Dallas, Texas 75265  
Copyright © 2010, Texas Instruments Incorporated

## Looking for pricing, stock, or lifecycle information?

Click below to explore more details on WIN SOURCE:

 [View TL760M25QKTTRQ1 on WIN SOURCE](#)

 [Texas Instruments](#) Information

## Optimize Your Supply Chain with WIN SOURCE Solutions

-  Global Sourcing Solution
-  Obsolete Management
-  Cost Control Management
-  Shortage Management
-  Alternative Solution
-  Excess Inventory Management