



THE DATASHEET OF MAX400CPA



Not Recommended for New Designs

This product was manufactured for Maxim by an outside wafer foundry using a process that is no longer available. It is not recommended for new designs. The data sheet remains available for existing users.

A Maxim replacement or an industry second-source may be available. Please see the QuickView data sheet for this part or contact technical support for assistance.

For further information, [contact Maxim's Applications Tech Support](#).



Ultra-Low Offset Voltage Operational Amplifier

MAX400

General Description

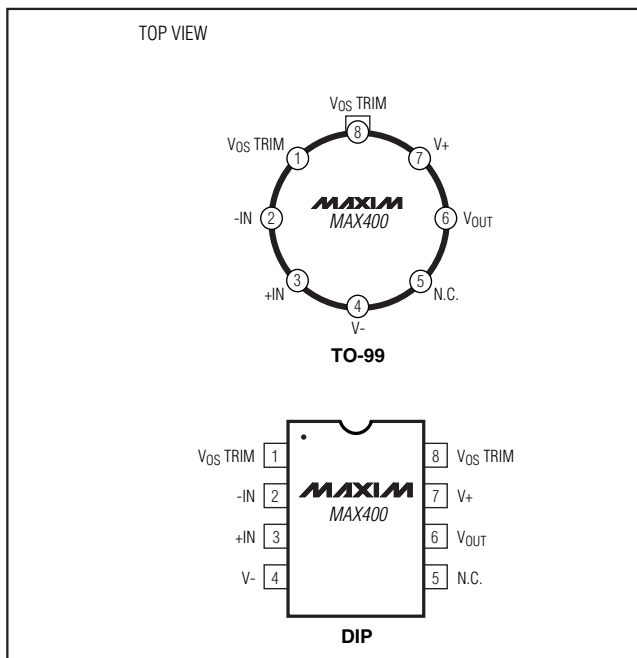
The MAX400 guaranteed maximum $10\mu\text{V}$ offset error is the lowest input offset voltage of any commercially available (nonchopper) monolithic amplifier. The MAX400 represents a 2.5 times improvement over the highest grade OP07 (the OP07A), and a 5 times improvement over the best commercial temperature range device (OP07E). The offset voltage drift is guaranteed to be a maximum of $0.3\mu\text{V}/^\circ\text{C}$ which is also an improvement over the OP07 family.

For the ultimate in DC performance ($5\mu\text{V}$ maximum offset voltage and $0.05\mu\text{V}/^\circ\text{C}$ maximum offset voltage drift) the MAX420 and MAX430 series of $\pm 15\text{V}$ monolithic, chopper-stabilized amplifiers should be consulted.

Applications

Precision Amplifiers
Thermocouple Amplifiers
Low-Level Signal Processing
Medical Instrumentation
Strain Gauge Amplifiers
High-Accuracy Data Acquisition

Pin Configuration



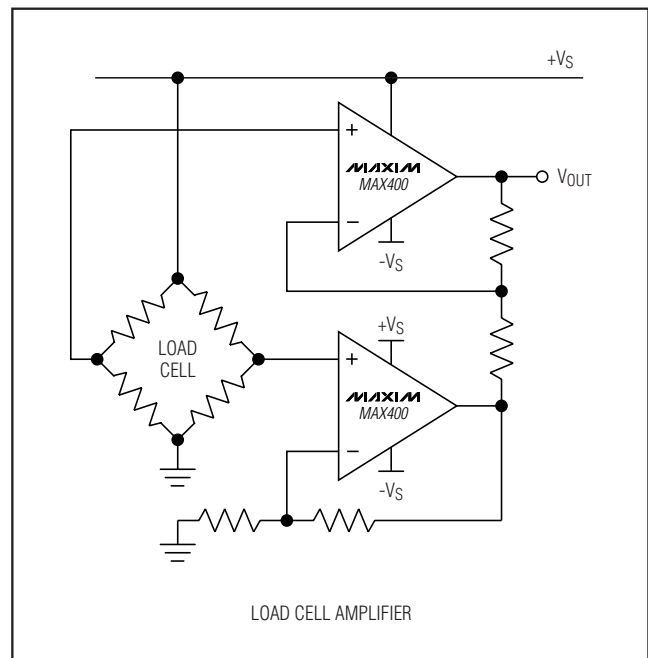
Features

- ◆ Ultra-Low Offset Voltage: $10\mu\text{V}$ (max)
- ◆ Ultra-Low Offset Voltage Drift: $0.2\mu\text{V}/^\circ\text{C}$
- ◆ Ultra Stable vs. Time: $0.2\mu\text{V}/\text{month}$
- ◆ Ultra-Low Noise: $0.35\mu\text{Vp-p}$
- ◆ Wide Supply Voltage: $\pm 3\text{V}$ to $\pm 18\text{V}$
- ◆ High Common-Mode Input: $\pm 14\text{V}$
- ◆ No External Components Required
- ◆ Fits OP07, AD510, 725, 108A/308A Sockets

Ordering Information

PART	TEMP RANGE	PIN-PACKAGE
MAX400MJA	-55°C to $+125^\circ\text{C}$	8 CERDIP
MAX400MTV	-55°C to $+125^\circ\text{C}$	8 TO-99
MAX400EJA	-40°C to $+85^\circ\text{C}$	8 CERDIP
MAX400ETV	-40°C to $+85^\circ\text{C}$	8 TO-99
MAX400CTV	0°C to $+70^\circ\text{C}$	8 TO-99
MAX400CPA	0°C to $+70^\circ\text{C}$	8 Plastic Dip
MAX400CSA	0°C to $+70^\circ\text{C}$	8 SO

Typical Operating Circuit



Ultra-Low Offset Voltage Operational Amplifier

ABSOLUTE MAXIMUM RATINGS

Total Supply Voltage (V+ to V-)	±22V
Internal Power Dissipation	500mW
TO-99 (T) (derate at 7.1mW/°C above +80°C)	
Hermetic Dip (J) (derate 6.7mW/°C above +75°C)	
Plastic Dip (P) (derate 5.6mW/°C above +36°C)	
Differential Input Voltage	±30V
Input Voltage (Note 1)	±22V
Storage Temperature Range	-65°C to +150°C

Operating Temperature Range	
MAX400M	-55°C to +125°C
MAX400E	-40°C to +85°C
MAX400C	0°C to +70°C
Lead Temperature (soldering, 10s)	+300°C
Duration of Output Short Circuit	Indefinite
Junction Temperature (T _J)	-65°C to +160°C

Note 1: For supply voltages less than ±22V, the absolute maximum input voltage is equal to the supply voltage.

Stresses beyond those listed under "Absolute Maximum Ratings" may cause permanent damage to the device. These are stress ratings only, and functional operation of the device at these or any other conditions beyond those indicated in the operational sections of the specifications is not implied. Exposure to absolute maximum rating conditions for extended periods may affect device reliability.

ELECTRICAL CHARACTERISTICS

(V_S = ±15V, T_A = +25°C, unless otherwise noted.)

PARAMETER	SYMBOL	CONDITIONS	MAX400M			MAX400C/E			UNITS
			MIN	TYP	MAX	MIN	TYP	MAX	
Input Offset Voltage	V _{OS}	(Note 2)		4	10		10	15	μV
Long-Term Input Offset Voltage Stability	V _{OS/Time}	(Note 3)		0.2			0.2		μV/month
Input Offset Current	I _{OS}			0.3	2.0		0.3	2.0	nA
Input Bias Current	I _B			±0.7	±2.0		±0.7	±2.0	nA
Input Noise Voltage	e _{N(P-P)}	0.1Hz to 10Hz		0.35			0.35		μV _{P-P}
Input Noise-Voltage Density	e _N	f _O = 10Hz		10.3			10.3		nV/√Hz
		f _O = 100Hz		10.0			10.0		
		f _O = 1000Hz		9.6			9.6		
Input Noise Current	I _{N(P-P)}	0.1Hz to 10Hz		14			14		pA _{P-P}
Input Noise-Current Density	I _N	f _O = 10Hz		0.32			0.32		pA/√Hz
		f _O = 100Hz		0.14			0.14		
		f _O = 1000Hz		0.12			0.12		
Input Resistance Differential Mode	R _{IN}	(Note 4)	30	80		20	60		MΩ
Input Resistance Common Mode	R _{INCM}			200			200		GΩ
Input Voltage Range	IVR		±13	±14		±13	±14		V
Common-Mode Rejection Ratio	CMRR	V _{CM} = ±13V	114	126		114	126		dB
Power-Supply Rejection Ratio	PSRR	V _S = ±3V to ±18V		4	10		4	10	μV/V
Large-Signal Voltage Gain	A _{VO}	R _L ≥ 2kΩ, V _O = ±10V	500	1000		500	1000		V/mV
		R _L ≥ 500Ω, V _O = ±0.5V, V _S = ±3V (Note 4)	150	400		150	400		

Ultra-Low Offset Voltage Operational Amplifier

MAX400

ELECTRICAL CHARACTERISTICS (continued)

($V_S = \pm 15V$, $T_A = +25^\circ C$, unless otherwise noted.)

PARAMETER	SYMBOL	CONDITIONS	MAX400M			MAX400C/E			UNITS	
			MIN	TYP	MAX	MIN	TYP	MAX		
Output Voltage Swing	V_O	$R_L \geq 10k\Omega$	± 12.5	± 13.0		± 12.5	± 13.0		V	
		$R_L \geq 2k\Omega$	± 12.0	± 12.8		± 12.0	± 12.8			
		$R_L \geq 1k\Omega$	± 10.5	± 12.0		± 10.5	± 12.0			
Slew Rate	SR	$R_L \geq 2k\Omega$		0.3			0.3		V/ μS	
Closed-Loop Bandwidth	BW	$A_{VCL} = +1V$		0.6			0.6		MHz	
Open-Loop Output Resistance	R_O	$V_O = 0V$, $I_O = 0$		60			60		Ω	
Power Consumption	P_D	$V_S = \pm 15V$, no load		75	120		75	120		mW
		$V_S = \pm 3V$, no load		4	6		4	6		
Offset Adjustment Range		$R_P = 20k\Omega$		± 4			± 4		mV	

Note 2: V_{OS} is measured one minute after application of power.

Note 3: Long-term Input Offset Voltage Stability refers to the average trend line of V_{OS} vs. Time over extended periods after the first 30 days of operation. Excluding the initial hour of operation, changes in V_{OS} during the first 30 operating days are typically $2.5\mu V$ – refer to typical performance curves.

Note 4: Guaranteed by design.

ELECTRICAL CHARACTERISTICS

($V_S = \pm 15V$, $T_A =$ full operating temperature range, unless otherwise noted.)

PARAMETER	SYMBOL	CONDITIONS	MAX400M			MAX400C/E			UNITS
			MIN	TYP	MAX	MIN	TYP	MAX	
Input Offset Voltage	V_{OS}	(Note 5)		20	40		20	40	μV
Average Temperature Coefficient of Input Offset Voltage	TCV_{OS}	(Note 6)		0.2	0.3		0.2	0.3	$\mu V/^\circ C$
Input Offset Current	I_{OS}			0.8	4.0		0.8	4.0	nA
Average Input Offset Current Drift	TCI_{OS}			5			5		$pA/^\circ C$
Input Bias Current	I_B			± 1.0	± 4.0		± 1.0	± 4.0	nA
Average Input Bias Current Drift	TCI_B			8			8		$pA/^\circ C$
Input Voltage Range	IVC		± 13	± 13.5		± 13	± 13.5		V
Common-Mode Rejection Ratio	CMRR	$V_{CM} = \pm 13V$	106	123		106	123		dB
Power-Supply Rejection Ratio	PSRR	$V_S = \pm 3V$ to $\pm 18V$		5	20		5	20	$\mu V/V$
Large-Signal Voltage Gain	A_{VO}	$R_L \geq 2k\Omega$, $V_O = \pm 10V$	200	400		200	400		V/mV
Output Voltage Swing	V_D	$R_L \geq 2k\Omega$	± 12.0	± 12.6		± 12.0	± 12.6		V

Note 5: Offset Voltage is measured one minute after application of power.

Note 6: 100% tested.

Ultra-Low Offset Voltage Operational Amplifier

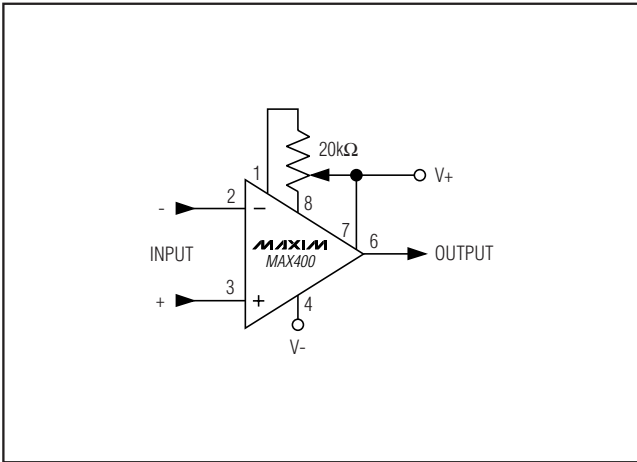


Figure 1. Optional Offset Nulling Circuit

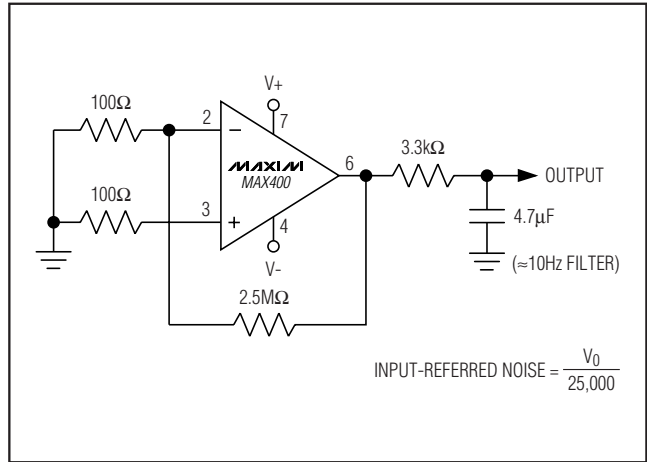
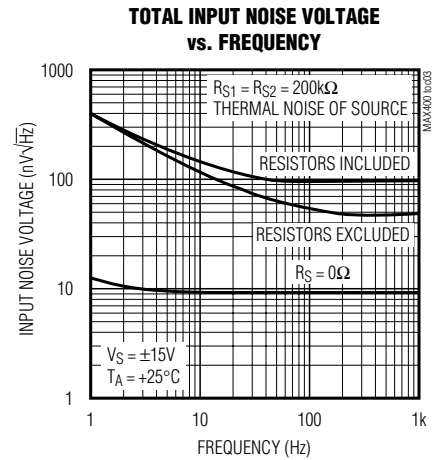
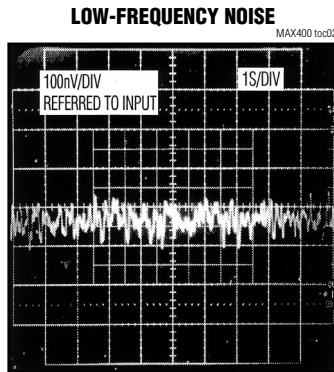
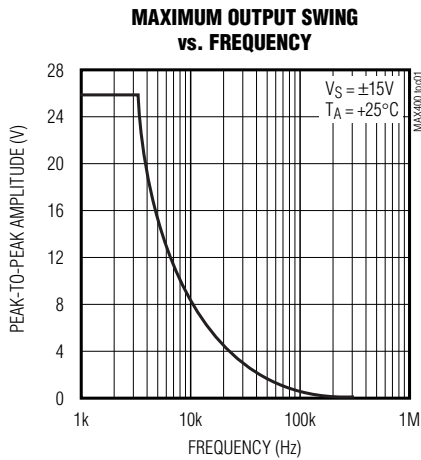


Figure 2. Low-Frequency Noise Test Circuit

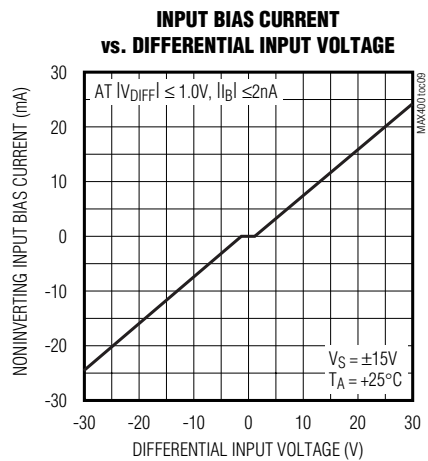
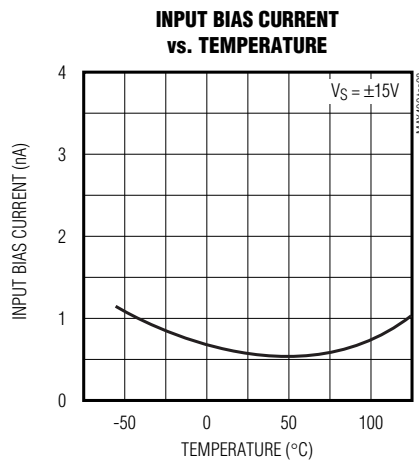
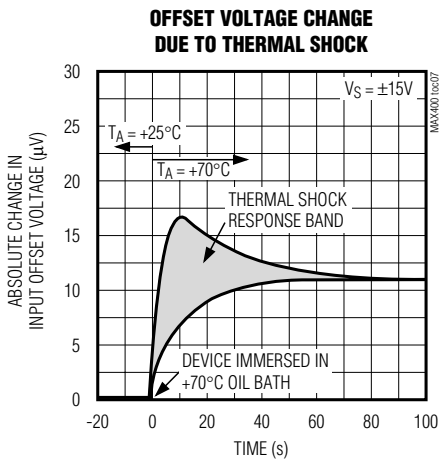
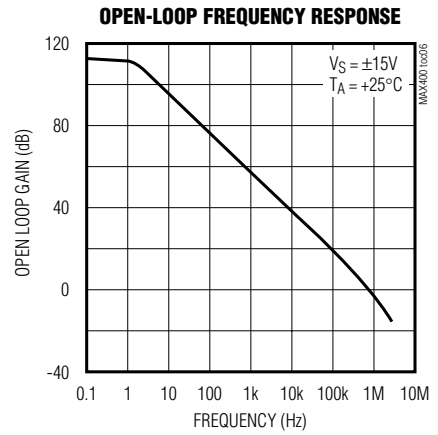
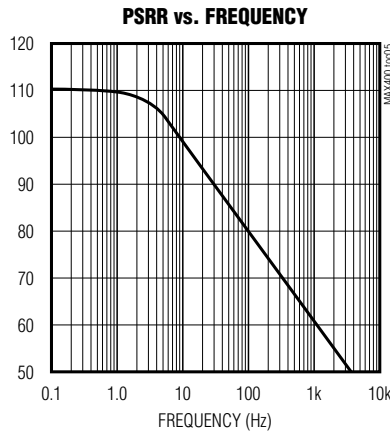
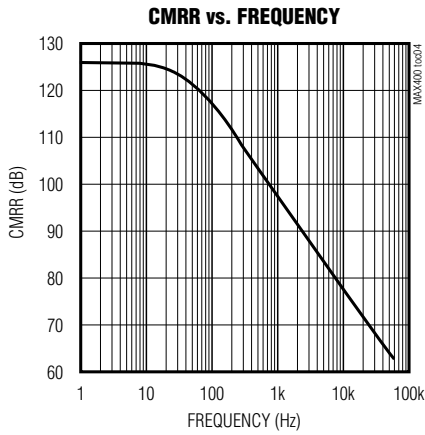
Typical Operating Characteristics



Ultra-Low Offset Voltage Operational Amplifier

Typical Operating Characteristics (continued)

MAX400



Maxim cannot assume responsibility for use of any circuitry other than circuitry entirely embodied in a Maxim product. No circuit patent licenses are implied. Maxim reserves the right to change the circuitry and specifications without notice at any time.

Maxim Integrated Products, 120 San Gabriel Drive, Sunnyvale, CA 94086 408-737-7600 _____ 5

Looking for pricing, stock, or lifecycle information?

Click below to explore more details on WIN SOURCE:

 [View MAX400CPA](#) on WIN SOURCE

 [Maxim Integrated](#) Information

Optimize Your Supply Chain with WIN SOURCE Solutions

-  Global Sourcing Solution
-  Obsolete Management
-  Cost Control Management
-  Shortage Management
-  Alternative Solution
-  Excess Inventory Management