



**THE DATASHEET OF
CY62256VNLL-70SNXC**



Features

- Temperature Ranges
 - Commercial: 0°C to 70°C
 - Industrial: -40°C to 85°C
 - Automotive-A: -40°C to 85°C
 - Automotive-E: -40°C to 125°C
- Speed: 70 ns
- Low Voltage Range: 2.7V to 3.6V
- Low Active Power and Standby Power
- Easy Memory Expansion with \overline{CE} and \overline{OE} Features
- TTL Compatible Inputs and Outputs
- Automatic Power Down when Deselected
- CMOS for Optimum Speed and Power
- Available in Standard Pb-free and non Pb-free 28-Pin (300-mil) Narrow SOIC, 28-Pin TSOP-I, and 28-Pin Reverse TSOP-I Packages

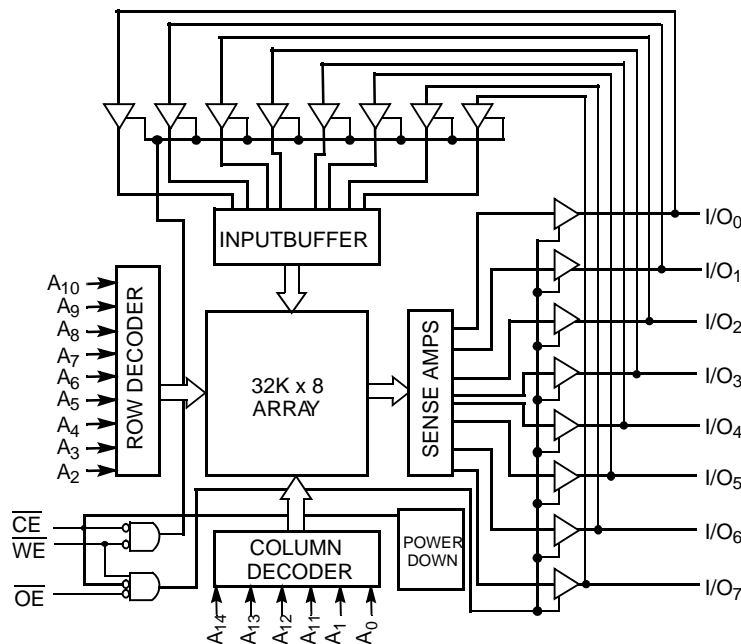
Functional Description

The CY62256VN^[1] family is composed of two high performance CMOS static RAM's organized as 32K words by 8 bits. Easy memory expansion is provided by an active LOW chip enable (\overline{CE}) and active LOW output enable (\overline{OE}) and tristate drivers. These devices have an automatic power down feature, reducing the power consumption by over 99% when deselected.

An active LOW write enable signal (\overline{WE}) controls the writing/reading operation of the memory. When \overline{CE} and \overline{WE} inputs are both LOW, data on the eight data input/output pins (I/O_0 through I/O_7) is written into the memory location addressed by the address present on the address pins (A_0 through A_{14}). Reading the device is accomplished by selecting the device and enabling the outputs, \overline{CE} and \overline{OE} active LOW, while \overline{WE} remains inactive or HIGH. Under these conditions, the contents of the location addressed by the information on address pins are present on the eight data input/output pins.

The input/output pins remain in a high impedance state unless the chip is selected, outputs are enabled, and write enable (\overline{WE}) is HIGH.

Logic Block Diagram



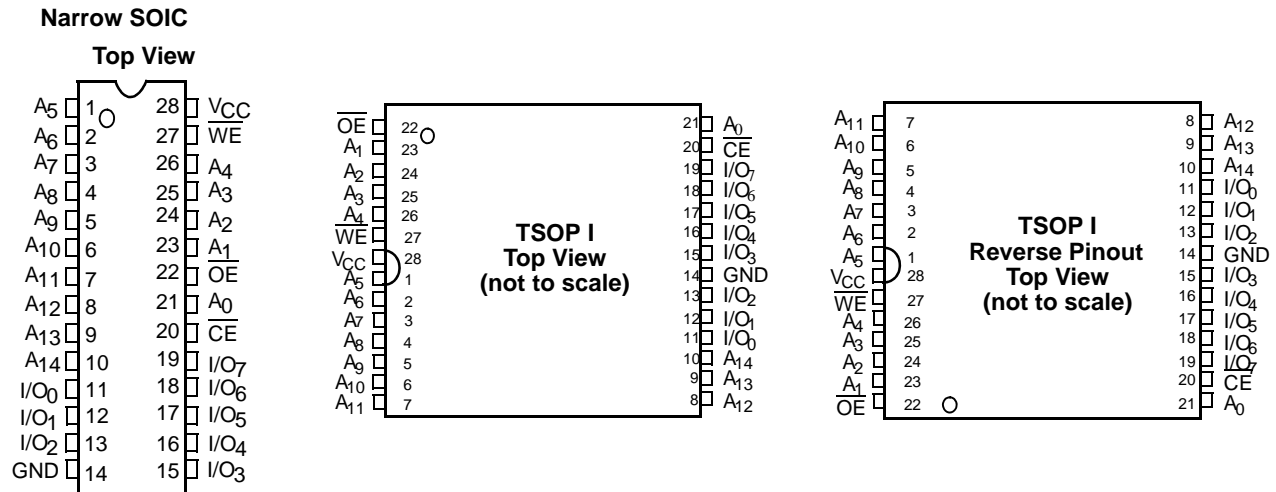
Note

1. For best practice recommendations, refer to the Cypress application note "System Design Guidelines" on <http://www.cypress.com>.

Product Portfolio

Product	Range	V _{CC} Range (V)			Power Dissipation			
					Operating, I _{CC} (mA)		Standby, I _{SB2} (μA)	
		Min	Typ ^[2]	Max	Typ ^[2]	Max	Typ ^[2]	Max
CY62256VNLL	Com'l	2.7	3.0	3.6	11	30	0.1	5
CY62256VNLL	Ind'l	2.7	3.0	3.6	11	30	0.1	10
CY62256VNLL	Automotive-A	2.7	3.0	3.6	11	30	0.1	10
CY62256VNLL	Automotive-E	2.7	3.0	3.6	11	30	0.1	130

Pin Configurations



Pin Definitions

Pin Number	Type	Description
1–10, 21, 23–26	Input	A ₀ –A ₁₄ . Address Inputs
11–13, 15–19	Input/Output	I/O ₀ –I/O ₇ . Data lines. Used as input or output lines depending on operation
27	Input/Control	WE. When selected LOW, a WRITE is conducted. When selected HIGH, a READ is conducted
20	Input/Control	CE. When LOW, selects the chip. When HIGH, deselects the chip
22	Input/Control	OE. Output Enable. Controls the direction of the I/O pins. When LOW, the I/O pins behave as outputs. When deasserted HIGH, I/O pins are tristated, and act as input data pins
14	Ground	GND. Ground for the device
28	Power Supply	V _{CC} . Power supply for the device

Note

2. Typical values are included for reference only and are not guaranteed or tested. Typical values are measured at V_{CC} = V_{CC} Typ, T_A = 25°C, and t_{AA} = 70 ns.

Maximum Ratings

Exceeding maximum ratings may impair the useful life of the device. These user guidelines are not tested.

- Storage Temperature -65°C to + 150°C
- Ambient Temperature with Power Applied -55°C to + 125°C
- Supply Voltage to Ground Potential (Pin 28 to Pin 14).....-0.5V to + 4.6V
- DC Voltage Applied to Outputs in High-Z State^[3].....-0.5V to V_{CC} + 0.5V
- DC Input Voltage^[3]-0.5V to V_{CC} + 0.5V
- Output Current into Outputs (LOW) 20 mA

Static Discharge Voltage..... > 2001V (per MIL-STD-883, Method 3015)

Latch-up Current..... > 200 mA

Operating Range

Device	Range	Ambient Temperature (T _A) ^[4]	V _{CC}
CY62256VN	Commercial	0°C to +70°C	2.7V to 3.6V
	Industrial	-40°C to +85°C	
	Automotive-A	-40°C to +85°C	
	Automotive-E	-40°C to +125°C	

Electrical Characteristics Over the Operating Range

Parameter	Description	Test Conditions		-70			Unit
				Min	Typ ^[2]	Max	
V _{OH}	Output HIGH Voltage	I _{OH} = -1.0 mA	V _{CC} = 2.7V	2.4			V
V _{OL}	Output LOW Voltage	I _{OL} = 2.1 mA	V _{CC} = 2.7V			0.4	V
V _{IH}	Input HIGH Voltage			2.2		V _{CC} + 0.3V	V
V _{IL}	Input LOW Voltage			-0.5		0.8	V
I _{IX}	Input Leakage Current	GND ≤ V _{IN} ≤ V _{CC}	Com'l/Ind'l/Auto-A	-1		+1	μA
			Auto-E	-10		+10	μA
I _{OZ}	Output Leakage Current	GND ≤ V _{IN} ≤ V _{CC} , Output Disabled	Com'l/Ind'l/Auto-A	-1		+1	μA
			Auto-E	-10		+10	μA
I _{CC}	V _{CC} Operating Supply Current	V _{CC} = 3.6V, I _{OUT} = 0 mA, f = f _{MAX} = 1/t _{RC}	All Ranges		11	30	mA
I _{SB1}	Automatic CE Power Down Current - TTL Inputs	V _{CC} = 3.6V, $\overline{CE} \geq V_{IH}$, V _{IN} ≥ V _{IH} or V _{IN} ≤ V _{IL} , f = f _{MAX}	All Ranges		100	300	μA
I _{SB2}	Automatic CE Power Down Current- CMOS Inputs	V _{CC} = 3.6V, $\overline{CE} \geq V_{CC} - 0.3V$, V _{IN} ≥ V _{CC} - 0.3V or V _{IN} ≤ 0.3V, f = 0	Com'l		0.1	5	μA
			Ind'l/Auto-A			10	
			Auto-E			130	

Notes

- 3. V_{IL} (min) = -2.0V for pulse durations of less than 20 ns.
- 4. T_A is the "Instant-On" case temperature.

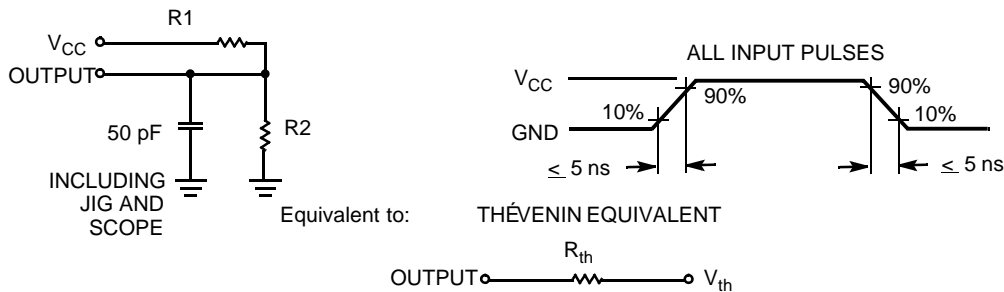
Capacitance^[5]

Parameter	Description	Test Conditions	Max	Unit
C _{IN}	Input Capacitance	T _A = 25°C, f = 1 MHz, V _{CC} = 3.0V	6	pF
C _{OUT}	Output Capacitance		8	pF

Thermal Resistance^[5]

Parameter	Description	Test Conditions	SOIC	TSOPI	RTSOPI	Unit
Θ _{JA}	Thermal Resistance (Junction to Ambient)	Still Air, soldered on a 3 × 4.5 inch, two-layer printed circuit board	68.45	87.62	87.62	°C/W
Θ _{JC}	Thermal Resistance (Junction to Case)		26.94	23.73	23.73	°C/W

Figure 1. AC Test Loads and Waveforms

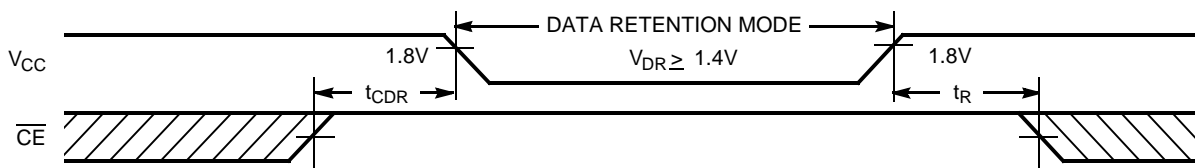


Parameter	Value	Units
R1	1100	Ohms
R2	1500	Ohms
RTH	645	Ohms
VTH	1.750	Volts

Data Retention Characteristics (Over the Operating Range)

Parameter	Description	Conditions ^[6]	Min	Typ ^[2]	Max	Unit	
V _{DR}	V _{CC} for Data Retention		1.4			V	
I _{CCDR}	Data Retention Current	V _{CC} = 1.4V, CE ≥ V _{CC} - 0.3V, V _{IN} ≥ V _{CC} - 0.3V or V _{IN} ≤ 0.3V	Com'I	0.1	3	μA	
			Ind'I/Auto-A				6
			Auto-E				50
t _{CDR} ^[6]	Chip Deselect to Data Retention Time		0			ns	
t _R ^[5]	Operation Recovery Time		t _{RC}			ns	

Figure 2. Data Retention Waveform



Notes

- 5. Tested initially and after any design or process changes that may affect these parameters.
- 6. No input may exceed V_{CC} + 0.3V.

Switching Characteristics Over the Operating Range^[7]

Parameter	Description	CY62256VN-70		Unit
		Min	Max	
Read Cycle				
t_{RC}	Read Cycle Time	70		ns
t_{AA}	Address to Data Valid		70	ns
t_{OHA}	Data Hold from Address Change	10		ns
t_{ACE}	\overline{CE} LOW to Data Valid		70	ns
t_{DOE}	\overline{OE} LOW to Data Valid		35	ns
t_{LZOE}	\overline{OE} LOW to Low-Z ^[8]	5		ns
t_{HZOE}	\overline{OE} HIGH to High-Z ^[8, 9]		25	ns
t_{LZCE}	\overline{CE} LOW to Low-Z ^[8]	10		ns
t_{HZCE}	\overline{CE} HIGH to High-Z ^[8, 9]		25	ns
t_{PU}	\overline{CE} LOW to Power Up	0		ns
t_{PD}	\overline{CE} HIGH to Power Down		70	ns
Write Cycle^[10, 11]				
t_{WC}	Write Cycle Time	70		ns
t_{SCE}	\overline{CE} LOW to Write End	60		ns
t_{AW}	Address Setup to Write End	60		ns
t_{HA}	Address Hold from Write End	0		ns
t_{SA}	Address Setup to Write Start	0		ns
t_{PWE}	\overline{WE} Pulse Width	50		ns
t_{SD}	Data Setup to Write End	30		ns
t_{HD}	Data Hold from Write End	0		ns
t_{HZWE}	\overline{WE} LOW to High-Z ^[8, 9]		25	ns
t_{LZWE}	\overline{WE} HIGH to Low-Z ^[8]	10		ns

Notes

7. Test conditions assume signal transition time of 5 ns or less timing reference levels of $V_{CC}/2$, input pulse levels of 0 to V_{CC} , and output loading of the specified I_{OL}/I_{OH} and 100-pF load capacitance.
8. At any given temperature and voltage condition, t_{HZCE} is less than t_{LZCE} , t_{HZOE} is less than t_{LZOE} , and t_{HZWE} is less than t_{LZWE} for any given device.
9. t_{HZOE} , t_{HZCE} , and t_{HZWE} are specified with $C_L = 5$ pF as in (b) of AC Test Loads. Transition is measured ± 200 mV from steady-state voltage.
10. The internal write time of the memory is defined by the overlap of \overline{CE} LOW and \overline{WE} LOW. Both signals must be LOW to initiate a write and either signal can terminate a write by going HIGH. The data input set-up and hold timing should be referenced to the rising edge of the signal that terminates the write.
11. The minimum write cycle time for write cycle #3 (\overline{WE} controlled, \overline{OE} LOW) is the sum of t_{HZWE} and t_{SD} .

Switching Waveforms

Figure 3. Read Cycle No. 1^[12, 13]

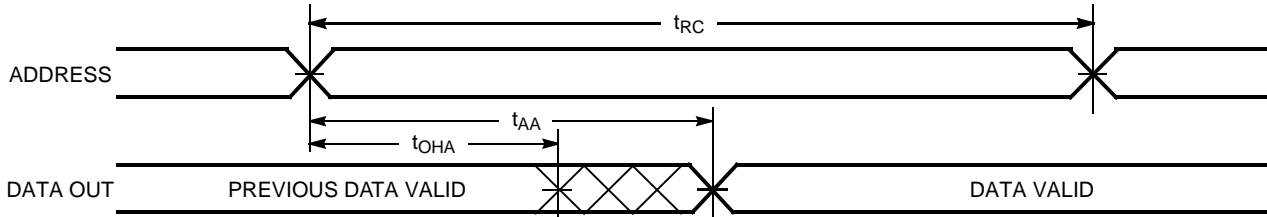


Figure 4. Read Cycle No. 2^[13, 14]

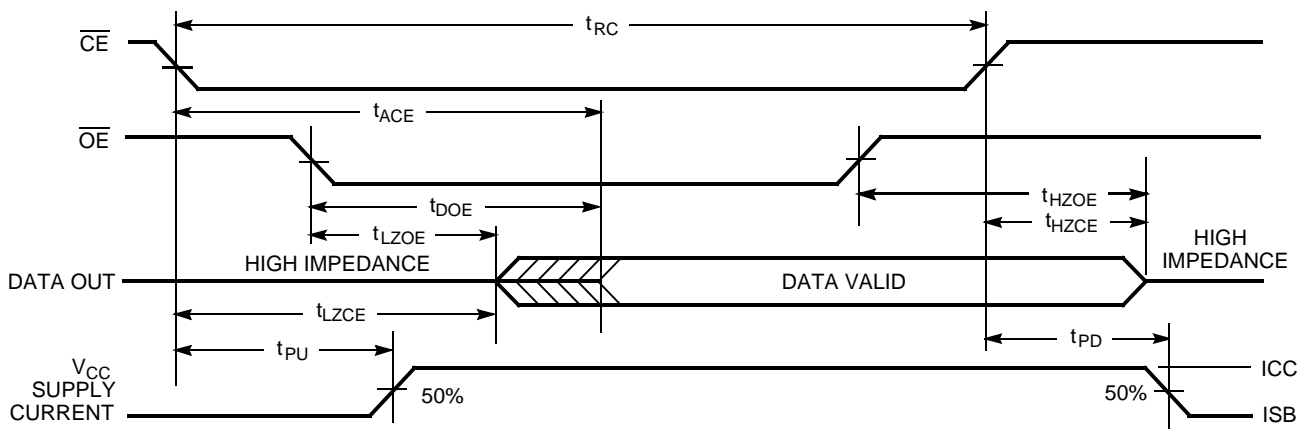
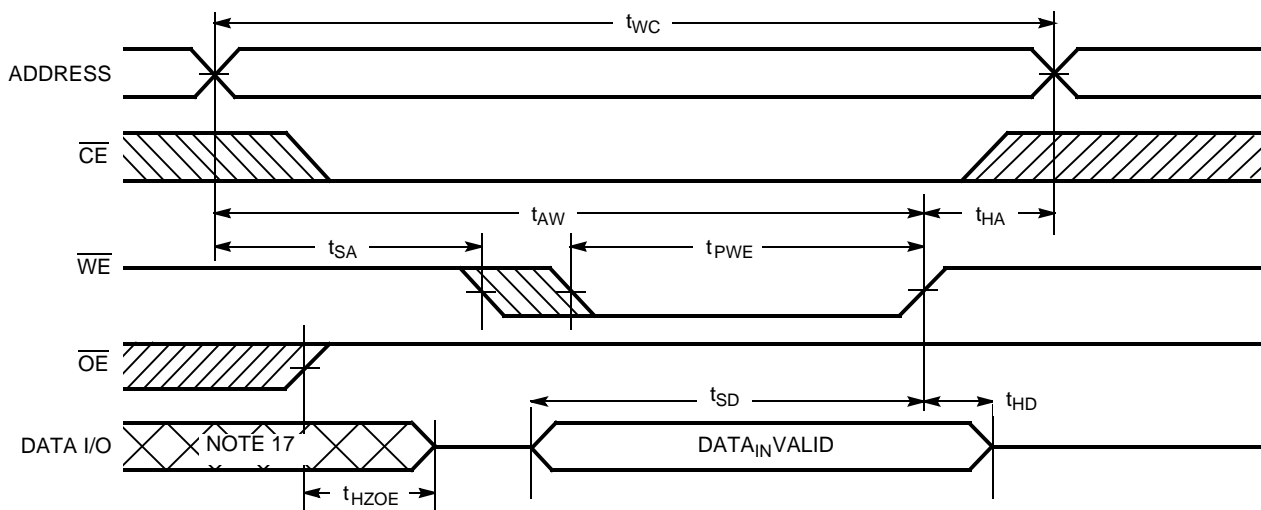


Figure 5. Write Cycle No. 1 (WE Controlled)^[10, 15, 16]



Notes

- 12. Device is continuously selected. $\overline{OE}, \overline{CE} = V_{IL}$.
- 13. \overline{WE} is HIGH for read cycle.
- 14. Address valid prior to or coincident with \overline{CE} transition LOW.
- 15. Data I/O is high impedance if $\overline{OE} = V_{IH}$.
- 16. If \overline{CE} goes HIGH simultaneously with \overline{WE} HIGH, the output remains in a high impedance state.
- 17. During this period, the I/Os are in output state and input signals should not be applied.

Switching Waveforms (continued)

Figure 6. Write Cycle No. 2 ($\overline{\text{CE}}$ Controlled)^[10, 15, 16]

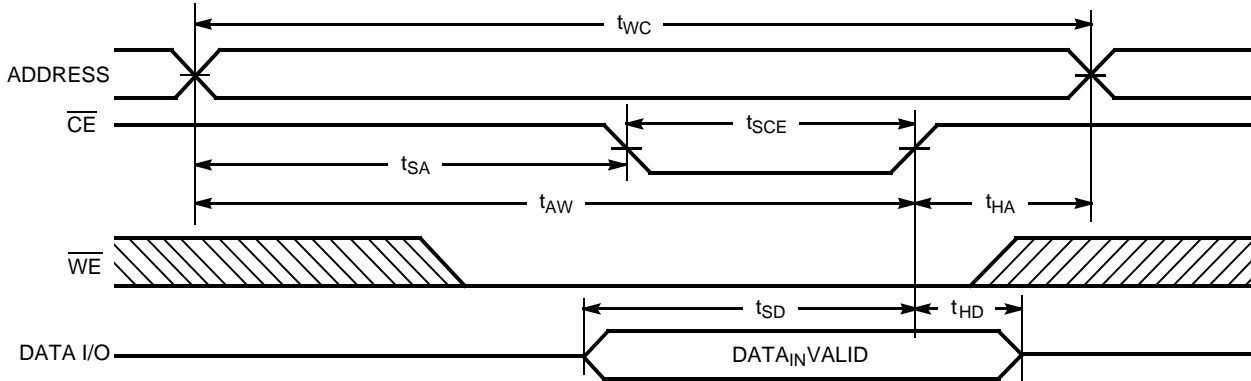
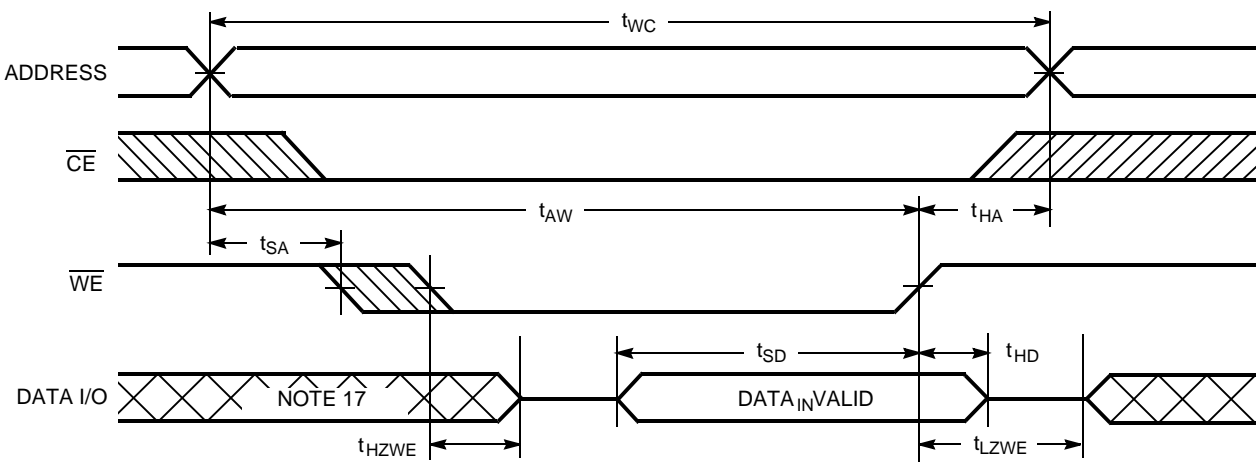
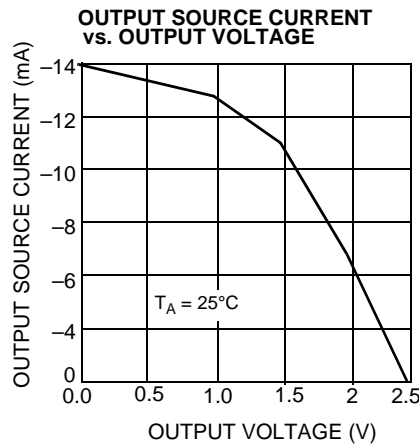
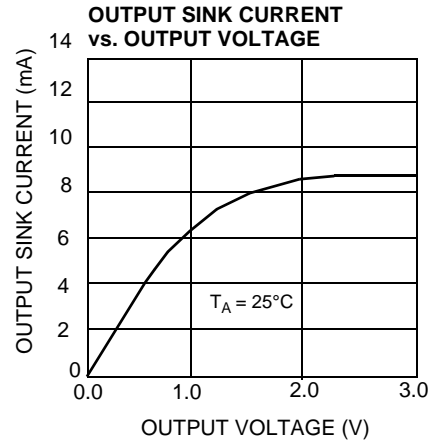
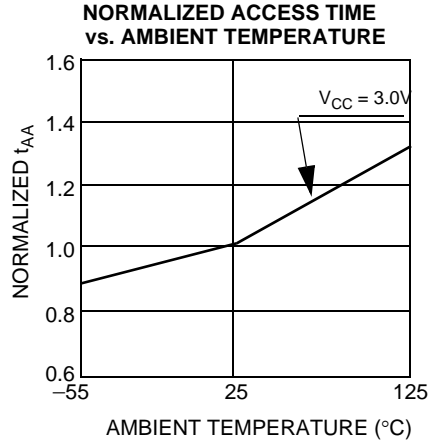
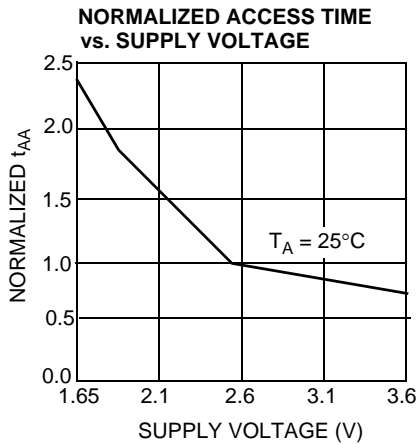
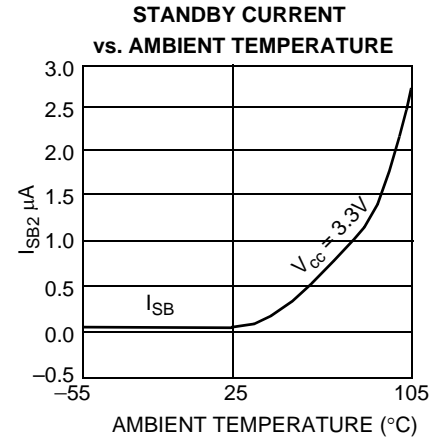
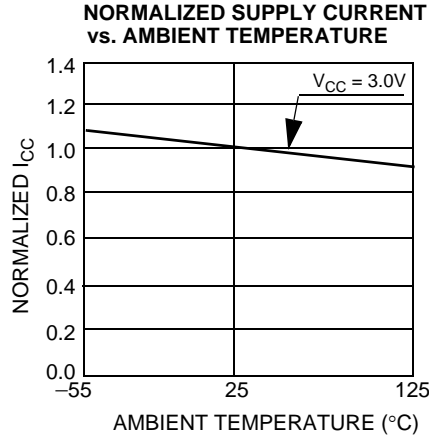
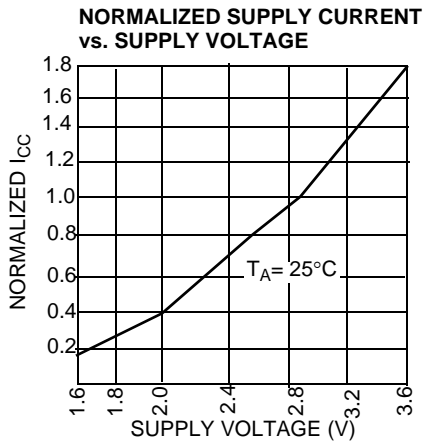


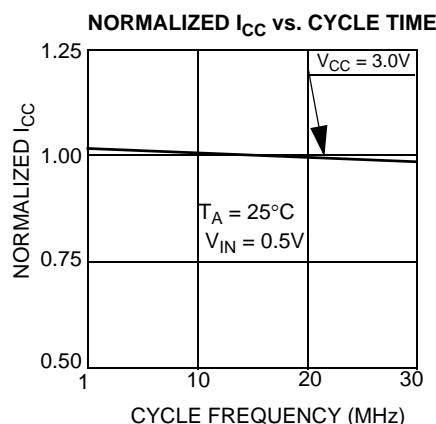
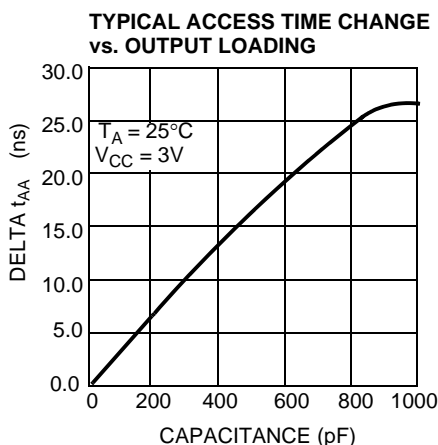
Figure 7. Write Cycle No. 3 ($\overline{\text{WE}}$ Controlled, $\overline{\text{OE}}$ LOW)^[11, 16]



Typical DC and AC Characteristics



Typical DC and AC Characteristics (continued)



Truth Table

\overline{CE}	\overline{WE}	\overline{OE}	Inputs/Outputs	Mode	Power
H	X	X	High-Z	Deselect/Power Down	Standby (I_{SB})
L	H	L	Data Out	Read	Active (I_{CC})
L	L	X	Data In	Write	Active (I_{CC})
L	H	H	High-Z	Deselect, Output Disabled	Active (I_{CC})

Ordering Information

Speed (ns)	Ordering Code	Package Diagram	Package Type	Operating Range
70	CY62256VNLL-70SNC	51-85092	28-Pin (300-mil) Narrow SOIC	Commercial
	CY62256VNLL-70SNXC		28-Pin (300-mil) Narrow SOIC (Pb-Free)	
	CY62256VNLL-70ZC	51-85071	28-Pin TSOP I	
	CY62256VNLL-70ZX		28-Pin TSOP I (Pb-Free)	
	CY62256VNLL-70SNXI	51-85092	28-Pin (300-mil) Narrow SOIC (Pb-Free)	Industrial
	CY62256VNLL-70ZI	51-85071	28-Pin TSOP I	
	CY62256VNLL-70ZXI		28-Pin TSOP I (Pb-Free)	
	CY62256VNLL-70ZRI	51-85074	28-Pin Reverse TSOP I	
	CY62256VNLL-70ZRXI		28-Pin Reverse TSOP I (Pb-Free)	
	CY62256VNLL-70ZX	51-85071	28-Pin TSOP I (Pb-Free)	Automotive-A
	CY62256VNLL-70SNXE	51-85092	28-Pin (300-mil) Narrow SOIC (Pb-Free)	Automotive-E
	CY62256VNLL-70ZX	51-85071	28-Pin TSOP I (Pb-Free)	
	CY62256VNLL-70ZR	51-85074	28-Pin Reverse TSOP I (Pb-Free)	

Contact your local Cypress sales representative for availability of other parts

Package Diagrams

Figure 8. 28-Pin (300-mil) SNC (Narrow Body) (51-85092)

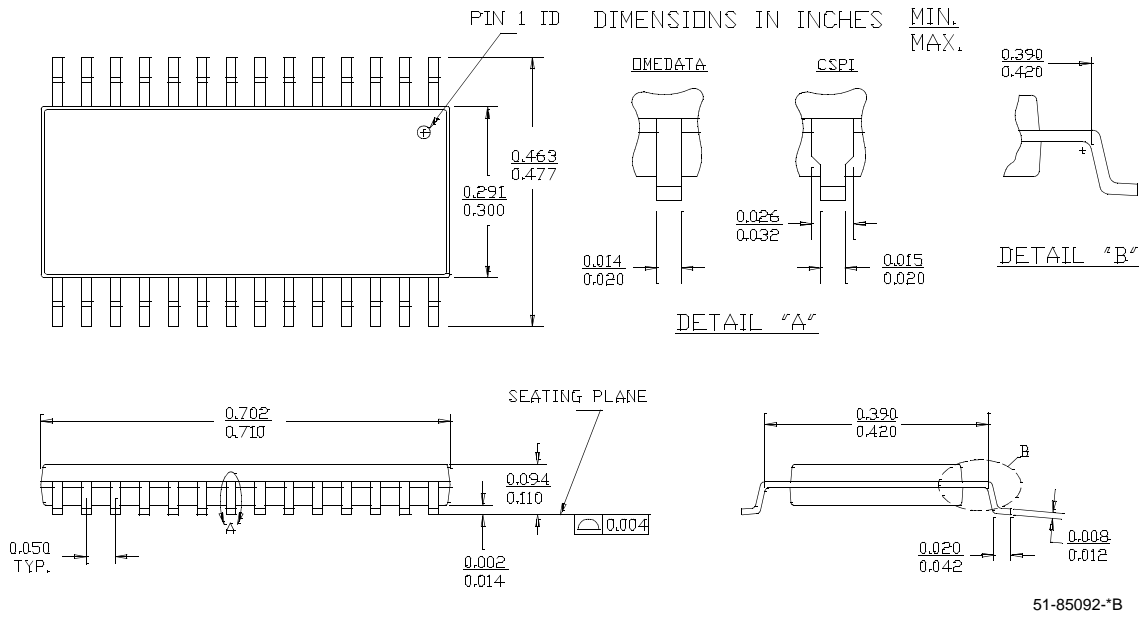
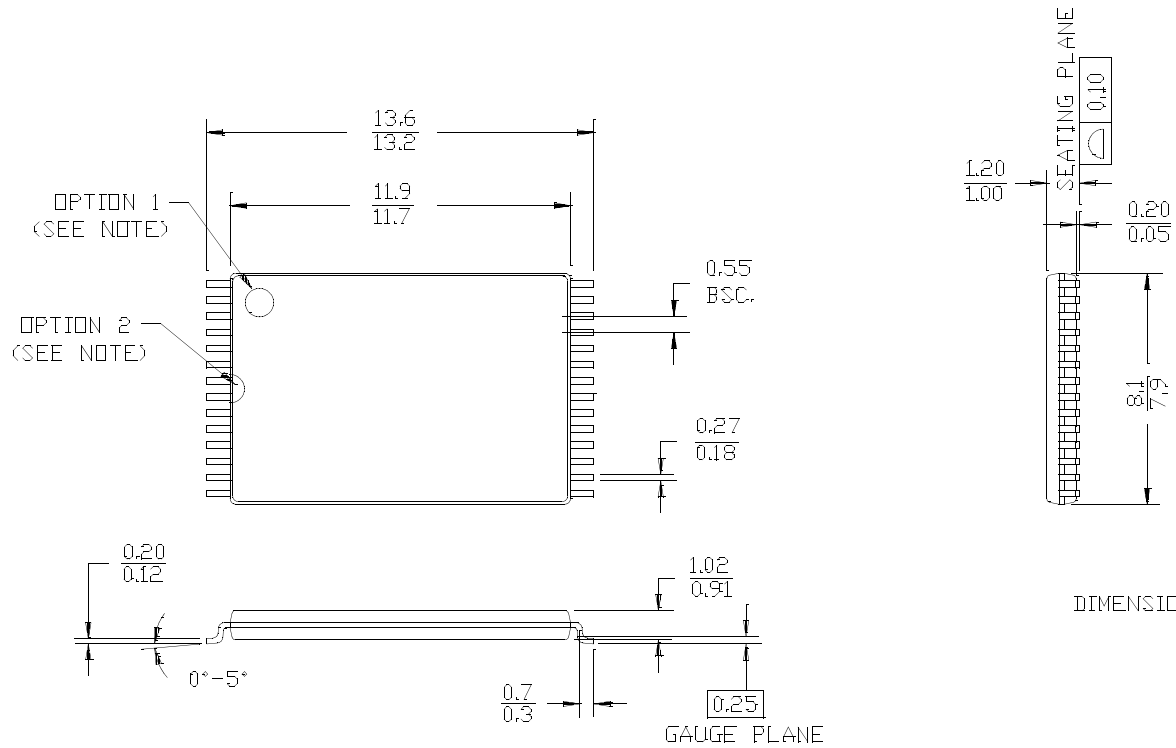


Figure 9. 28-Pin TSOP 1 (8 x 13.4 mm) (51-85071)

NOTE: ORIENTATION I.D. MAY BE LOCATED EITHER AS SHOWN IN OPTION 1 OR OPTION 2

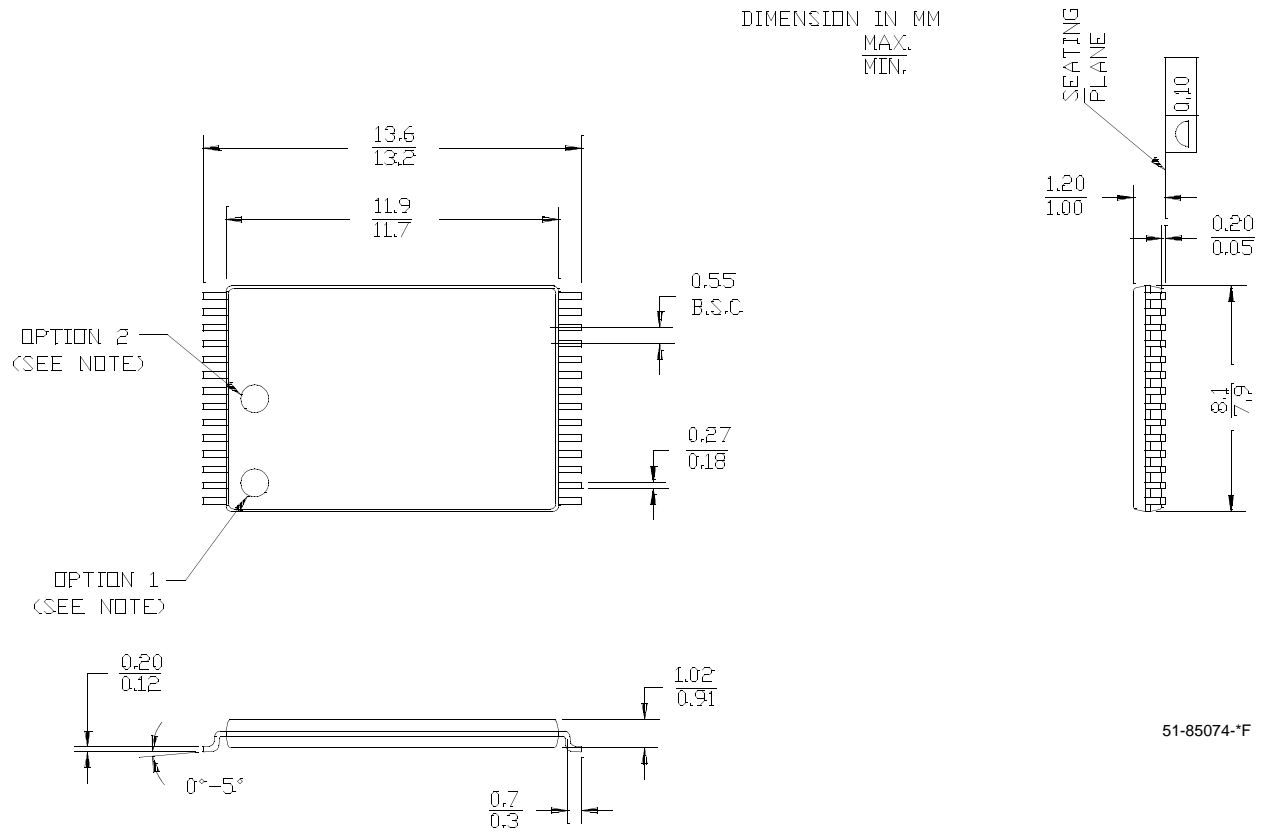


DIMENSION IN MM
MAX.
MIN.

51-85071-G

Figure 10. 28-Pin Reverse TSOP 1 (8 x 13.4 mm) (51-85074)

NOTE: ORIENTATION I.D. MAY BE LOCATED EITHER AS SHOWN IN OPTION 1 OR OPTION 2



Document History Page

Document Title: CY62256VN 256K (32K x 8) Static RAM Document Number: 001-06512				
Rev.	ECN No.	Submission Date	Orig. of Change	Description of Change
**	426504	See ECN	NXR	New Data Sheet
*A	488954	See ECN	NXR	Added Automotive product Updated ordering Information table
*B	2769239	09/25/09	VKN/AESA	Corrected V _{IL} description in the Electrical Characteristics table

Sales, Solutions, and Legal Information

Worldwide Sales and Design Support

Cypress maintains a worldwide network of offices, solution centers, manufacturers representatives, and distributors. To find the office closest to you, visit us at cypress.com/sales.

Products

PSoC	psoc.cypress.com
Clocks & Buffers	clocks.cypress.com
Wireless	wireless.cypress.com
Memories	memory.cypress.com
Image Sensors	image.cypress.com

© Cypress Semiconductor Corporation, 2006-2009. The information contained herein is subject to change without notice. Cypress Semiconductor Corporation assumes no responsibility for the use of any circuitry other than circuitry embodied in a Cypress product. Nor does it convey or imply any license under patent or other rights. Cypress products are not warranted nor intended to be used for medical, life support, life saving, critical control or safety applications, unless pursuant to an express written agreement with Cypress. Furthermore, Cypress does not authorize its products for use as critical components in life-support systems where a malfunction or failure may reasonably be expected to result in significant injury to the user. The inclusion of Cypress products in life-support systems application implies that the manufacturer assumes all risk of such use and in doing so indemnifies Cypress against all charges.



Any Source Code (software and/or firmware) is owned by Cypress Semiconductor Corporation (Cypress) and is protected by and subject to worldwide patent protection (United States and foreign), United States copyright laws and international treaty provisions. Cypress hereby grants to licensee a personal, non-exclusive, non-transferable license to copy, use, modify, create derivative works of, and compile the Cypress Source Code and derivative works for the sole purpose of creating custom software and or firmware in support of licensee product to be used only in conjunction with a Cypress integrated circuit as specified in the applicable agreement. Any reproduction, modification, translation, compilation, or representation of this Source Code except as specified above is prohibited without the express written permission of Cypress.

Disclaimer: CYPRESS MAKES NO WARRANTY OF ANY KIND, EXPRESS OR IMPLIED, WITH REGARD TO THIS MATERIAL, INCLUDING, BUT NOT LIMITED TO, THE IMPLIED WARRANTIES OF MERCHANTABILITY AND FITNESS FOR A PARTICULAR PURPOSE. Cypress reserves the right to make changes without further notice to the materials described herein. Cypress does not assume any liability arising out of the application or use of any product or circuit described herein. Cypress does not authorize its products for use as critical components in life-support systems where a malfunction or failure may reasonably be expected to result in significant injury to the user. The inclusion of Cypress' product in a life-support systems application implies that the manufacturer assumes all risk of such use and in doing so indemnifies Cypress against all charges.

Use may be limited by and subject to the applicable Cypress software license agreement.

Looking for pricing, stock, or lifecycle information?

Click below to explore more details on WIN SOURCE:

-  [View CY62256VNLL-70SNXC on WIN SOURCE](#)
-  [Cypress Semiconductor Corp Information](#)

Optimize Your Supply Chain with WIN SOURCE Solutions

-  Global Sourcing Solution
-  Obsolete Management
-  Cost Control Management
-  Shortage Management
-  Alternative Solution
-  Excess Inventory Management