



**THE DATASHEET OF
PI49FCT3807CHEX**



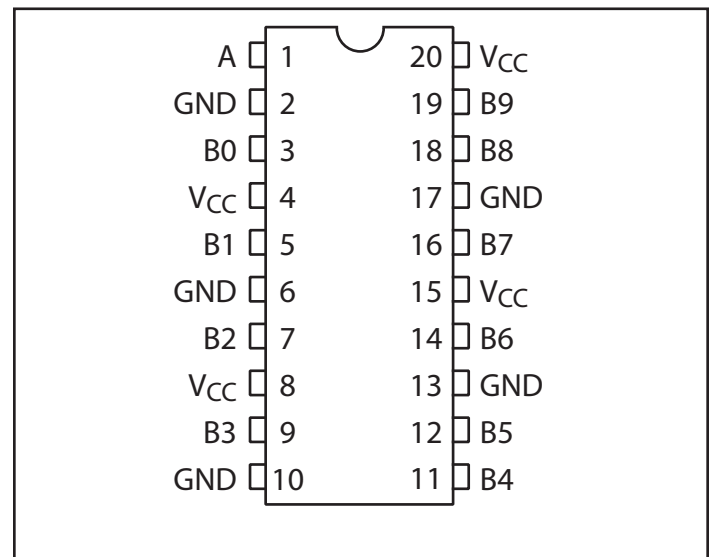
3.3V Fast CMOS Clock Driver
Features

- 3.3V version of PI49FCT807
- Ultra low skew: 0.35ns
- Low Input Capacitance
- Minimum duty cycle distortion
- 1:10 fanout
- High speed: 3.5ns propagation
- TTL input and CMOS output compatible
 - VOH =3.3V (typical)
 - VOL =0.3V (typical)
- Industrial Temperature: -40°C to +85°C
- 3.3V ±10% operation
- Packaging (Pb-free & Green Available):
 - 20-pin 300-mil wide SOIC (S)
 - 20-pin 150-mil wide QSOP (Q)
 - 20-pin 209-mil wide SSOP (H)

Description

Pericom Semiconductor's PI49FCT3807 is a 3.3V 1-to-10 clock driver. This low skew clock driver features one input and ten outputs fanout. The large fanout from a single input line reduced loading on input clock. TTL level outputs reduce noise levels on the part. Typical applications are clock and signal distribution

Block Diagram

Pin Configuration

Pin Description

| Pin Name | Description |
|--------------------------------|-------------|
| A | Input |
| B ₀ -B ₉ | Outputs |
| GND | Ground |
| VCC | Power |

Maximum Ratings

(Above which the useful life may be impaired. For user guidelines, not tested.)

| | |
|---|-----------------|
| Storage Temperature | -65°C to +150°C |
| Ambient Temperature with Power Applied | -40°C to +85°C |
| Supply Voltage to Ground Potential (Inputs & V _{CC} Only)..... | -0.5V to +7.0V |
| Supply Voltage to Ground Potential (Outputs & D/O Only) .. | -0.5V to +7.0V |
| DC Input Voltage | -0.5V to +7.0V |
| DC Output Current..... | 120mA |
| Power Dissipation | 0.5W |

Note:

Stresses greater than those listed under MAXIMUM RATINGS may cause permanent damage to the device. This is a stress rating only and functional operation of the device at these or any other conditions above those indicated in the operational sections of this specification is not implied. Exposure to absolute maximum rating conditions for extended periods may affect reliability.

DC Electrical Characteristics (TA = -40°C to +85°C V_{CC} = 3.3V ±0.3V)

| Symbol | Parameter | Test Condition ⁽¹⁾ | Min. | Typ. | Max. | Units |
|-----------------|--|---|------------------------------|-----------------|-------------------|-------|
| V _{OH} | Output High Voltage | V _{CC} = Min., V _{IN} = V _{IL} or V _{IH} I _{OH} = -0.1mA I _{OH} = -8mA | V _{CC} - 0.2 2.4 | - 3.0 | | V |
| V _{OL} | Output Low Voltage | V _{CC} = Min., V _{IN} = V _{IL} or V _{IH} I _{OH} = 0.1mA I _{OH} = 16mA I _{OH} = 24mA | | - 0.2 0.3 | 0.2 0.4 0.5 | |
| V _{IH} | Input High Voltage | Guaranteed Logic HIGH Level (Input pins) | 2.0 | | 5.5 | |
| V _{IL} | Input Low Voltage | Guaranteed Logic LOW Level (Input pins) | -0.5 | | 0.8 | |
| I _{IH} | Input High Current | V _{CC} = Max. V _{IN} = V _{CC} | | | 1 | µA |
| I _{IL} | Input Low Current | V _{CC} = Max. V _{IN} = GND | | | -1 | |
| V _{IK} | Clamp Diode Voltage | V _{CC} = Min., I _{IN} = -18mA | | -0.7 | -1.2 | V |
| I _{OH} | Output HIGH Current ^(4,5) | V _{OUT} = 1.5V, V _{IN} = V _{IL} or V _{IH} , V _{CC} = 3.3V | -35 | -60 | -110 | mA |
| I _{OL} | Output LOW Current ^(4,5) | V _{OUT} = 1.5V, V _{IN} = V _{IL} or V _{IH} , V _{CC} = 3.3V | 50 | 90 | 200 | |
| I _{OS} | Short Circuit Current ^(4,5) | V _{CC} = Max., V _{OUT} = GND | -60 | -135 | -240 | |
| V _H | Input Hysteresis | | | 150 | | mV |

Notes:

1. For Max. or Min. conditions, use appropriate value specified under Electrical Characteristics for the applicable device type.
2. Typical values are at V_{CC} = 3.3V, +25°C ambient and maximum loading.
3. V_{OH} = V_{CC} - 0.6V at rated current.
4. This parameter is determined by device characterization but is not production tested.
5. Not more than one output should be shorted at one time. Duration of the test should not exceed one second.

Power Supply Characteristics

| Parameters | Description | Test Conditions ⁽¹⁾ | | Min. | Typ ⁽²⁾ | Max. | Units |
|------------------|---|---|--|------|--------------------|------|------------|
| I _{CC} | Quiescent Power Supply Current | V _{CC} = Max. | V _{IN} = GND or V _{CC} | — | 3 | 30 | μA |
| ΔI _{CC} | Supply Current per Inputs @ TTL HIGH | V _{CC} = Max. | V _{IN} = V _{CC} - 0.6V ⁽³⁾ | — | 2.0 | 300 | |
| I _{CCD} | Supply Current per Input per MHz ⁽⁴⁾ | V _{CC} = Max., Outputs Open Per Output Toggling 50% Duty Cycle | V _{IN} = V _{CC} V _{IN} = GND | — | | | mA/ MHz |

Notes:

1. For Max. or Min. conditions, use appropriate value specified under Electrical Characteristics for the applicable device.
2. Typical values are at V_{CC} = 3.3V, +25°C ambient.
3. Per TTL driven input (V_{IN} = V_{CC} - 0.6V); all other inputs at V_{CC} or GND.
4. This parameter is not directly testable, but is derived for use in Total Power Supply Calculations.
5. Values for these conditions are examples of the I_C formula. These limits are guaranteed but not tested.

Capacitance (T_A = 25°C, f = 1 MHz)

| Parameters ⁽¹⁾ | Description | Test Conditions | Typ | Max. | Units |
|---------------------------|--------------------|-----------------------|-----|------|-------|
| C _{IN} | Input Capacitance | V _{IN} = 0V | 4.5 | 6.0 | pF |
| C _{OUT} | Output Capacitance | V _{OUT} = 0V | 5.5 | 8.0 | |

Notes:

1. This parameter is determined by device characterization but is not production tested.

Maximum Switching Characteristics (Over operating range)

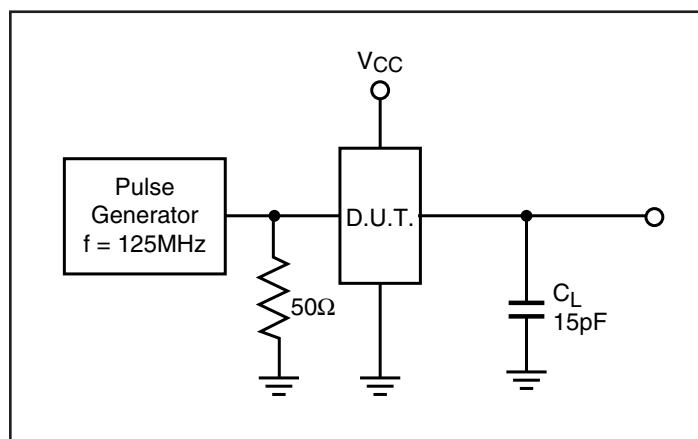
| Symbol | Description | Test Conditions | 3807 | | 3087A | | 3087B | | 3807C | | Units |
|--------------------------------------|--|--|------|------|-------|------|-------|------|-------|------|-------|
| | | | Com. | | Com. | | Com. | | Com. | | |
| | | | Min. | Max. | Min. | Max. | Min. | Max. | Min. | Max. | |
| t _{PLH} t _{PHL} | Propagation Delay A to B _N | C _L = 15pF R _L = 500Ω | 1.5 | 4.5 | 1.5 | 4.0 | 1.5 | 3.8 | 1.5 | 3.5 | ns |
| t _{SK(O)} | Skew between two outputs of same package ⁽³⁾ | | | 0.5 | | 0.5 | | 0.5 | | 0.5 | |
| t _{SK(P)} | Skew between opposite transitions of the same output (t _{PHL} - t _{PHL}) ⁽³⁾ | | | 0.5 | | 0.5 | | 0.35 | | 0.35 | |
| F _{IN} | Skew between outputs of different packages at the same power supply, temp. and speed grade ⁽³⁾ | | | 1.0 | | 1.0 | | 0.75 | | 0.75 | |

Notes:

1. Other loading condition is described on page 4, “Test Circuits for All Outputs.”
2. These parameters are guaranteed by design.
3. Minimum propagation delay of 1.5ns is guaranteed by design.

Phase Jitter Measurement Data

| Frequency Band | Input | Output | Additive Jitter | Unit |
|----------------|-------|--------|-----------------|-------------------|
| 12kHz-10MHz | 342 | 483 | 341 | f _{SRMS} |
| 12kHz-20MHz | 493 | 642 | 411 | f _{SRMS} |

Tests Circuits for All Outputs

Switch Position

| Test | Switch |
|-----------------------------|--------|
| Disable LOW Enable LOW | 6V |
| Disable HIGH Enable HIGH | GND |
| All Other Inputs | Open |

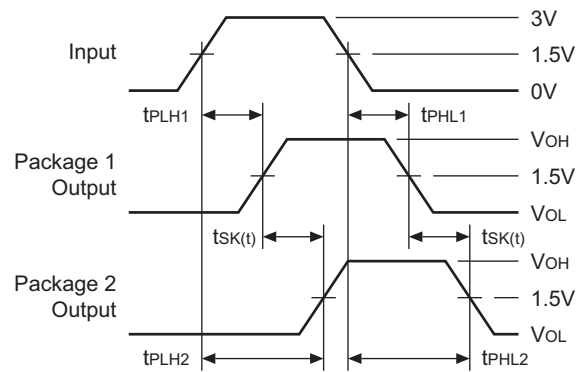
Switching Waveforms
Propagation Delay

Pulse Skew – $t_{sk(p)}$

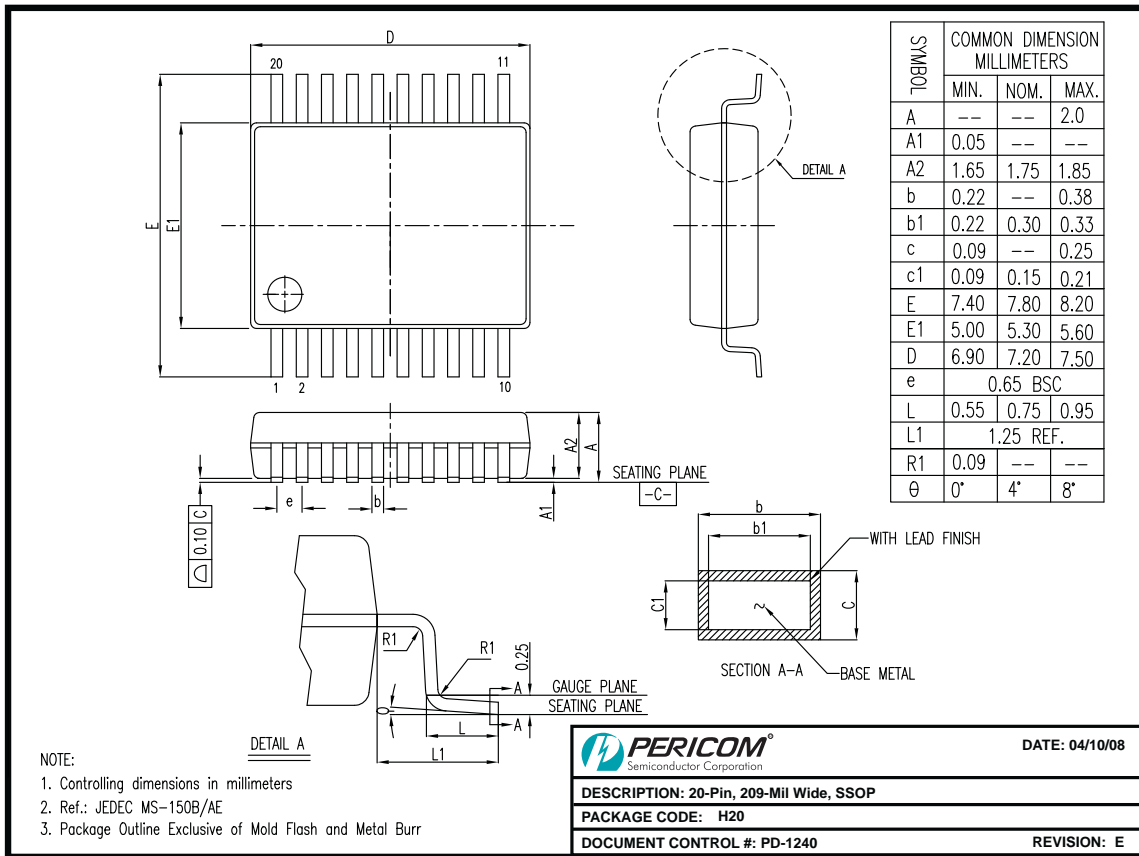

$$t_{sk(p)} = |t_{PHL} - t_{PLH}|$$

Output Skew – $t_{sk(o)}$

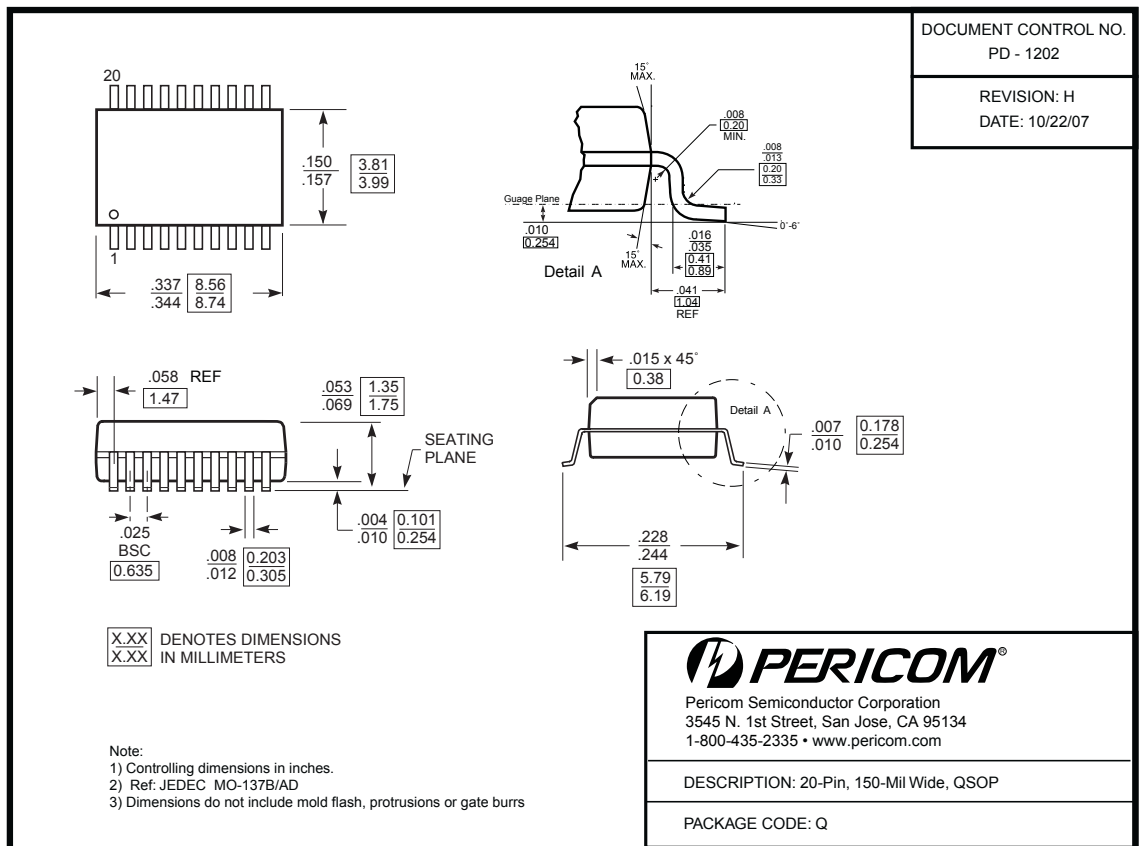

$$t_{sk(o)} = |t_{PLHy} - t_{PLHx}| \text{ or } |t_{PHLy} - t_{PHLx}|$$

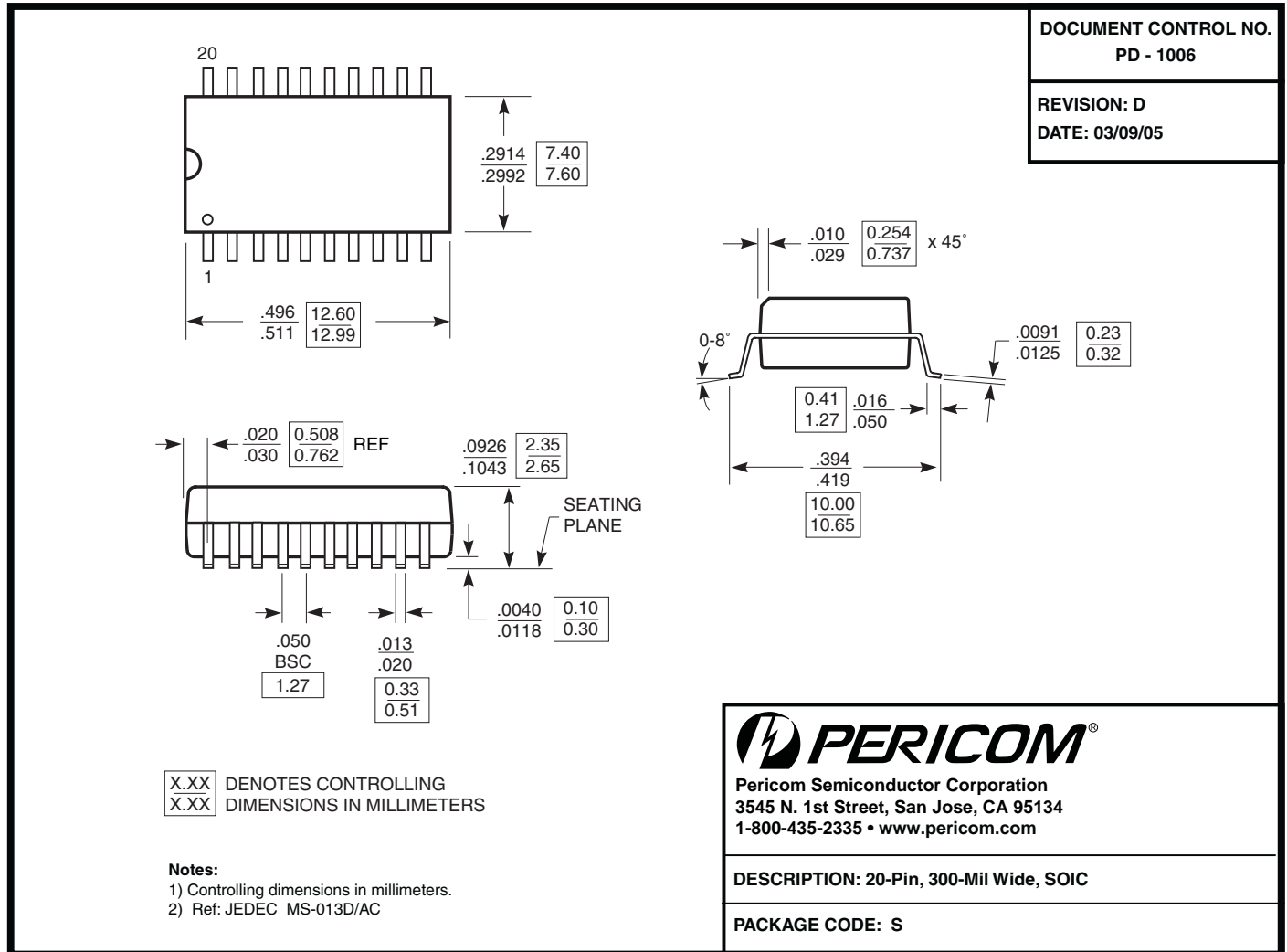
Package Skew – $t_{sk(t)}$


$$t_{sk(t)} = |t_{PLH2} - t_{PLH1}| \text{ or } |t_{PHL2} - t_{PHL1}|$$



08-0140




Note:

- For latest package info, please check: <http://www.pericom.com/products/packaging/mechanicals.php>

Ordering Information

| Ordering Code | Package Code | Speed Grade | Package Description |
|-----------------|--------------|-------------|--------------------------------------|
| PI49FCT3807AHEX | H | A | Pb-free & Green, 20-pin 209-mil SSOP |
| PI49FCT3807AQEX | Q | A | Pb-free & Green, 20-pin 150-mil QSOP |
| PI49FCT3807ASEX | S | A | Pb-free & Green, 20-pin 300-mil SOIC |
| PI49FCT3807BHEX | H | B | Pb-free & Green, 20-pin 209-mil SSOP |
| PI49FCT3807BQEX | Q | B | Pb-free & Green, 20-pin 150-mil QSOP |
| PI49FCT3807BSEX | S | B | Pb-free & Green, 20-pin 300-mil SOIC |
| PI49FCT3807CHEX | H | C | Pb-free & Green, 20-pin 209-mil SSOP |
| PI49FCT3807CQEX | Q | C | Pb-free & Green, 20-pin 150-mil QSOP |
| PI49FCT3807CSEX | S | C | Pb-free & Green, 20-pin 300-mil SOIC |
| PI49FCT3807DHEX | H | D | Pb-free & Green, 20-pin 209-mil SSOP |
| PI49FCT3807DQEX | Q | D | Pb-free & Green, 20-pin 150-mil QSOP |
| PI49FCT3807DSEX | S | D | Pb-free & Green, 20-pin 300-mil SOIC |
| PI49FCT3807HEX | H | Blank | Pb-free & Green, 20-pin 209-mil SSOP |
| PI49FCT3807QEX | Q | Blank | Pb-free & Green, 20-pin 150-mil QSOP |
| PI49FCT3807SEX | S | Blank | Pb-free & Green, 20-pin 300-mil SOIC |

Notes:

- Thermal characteristics can be found on the company web site at www.pericom.com/packaging/
- E = Pb-free and Green
- Adding an X suffix = Tape/Reel

Looking for pricing, stock, or lifecycle information?

Click below to explore more details on WIN SOURCE:

 [View PI49FCT3807CHEX on WIN SOURCE](#)

 [Diodes Incorporated](#) Information

Optimize Your Supply Chain with WIN SOURCE Solutions

-  Global Sourcing Solution
-  Obsolete Management
-  Cost Control Management
-  Shortage Management
-  Alternative Solution
-  Excess Inventory Management