



# THE DATASHEET OF LM310H



## LM110/LM210/LM310 Voltage Follower

### General Description

The LM110 series are monolithic operational amplifiers internally connected as unity-gain non-inverting amplifiers. They use super-gain transistors in the input stage to get low bias current without sacrificing speed. Directly interchangeable with 101, 741 and 709 in voltage follower applications, these devices have internal frequency compensation and provision for offset balancing.

The LM110 series are useful in fast sample and hold circuits, active filters, or as general-purpose buffers. Further, the frequency response is sufficiently better than standard IC amplifiers that the followers can be included in the feedback loop without introducing instability. They are plug-in replacements for the LM102 series voltage followers, offer-

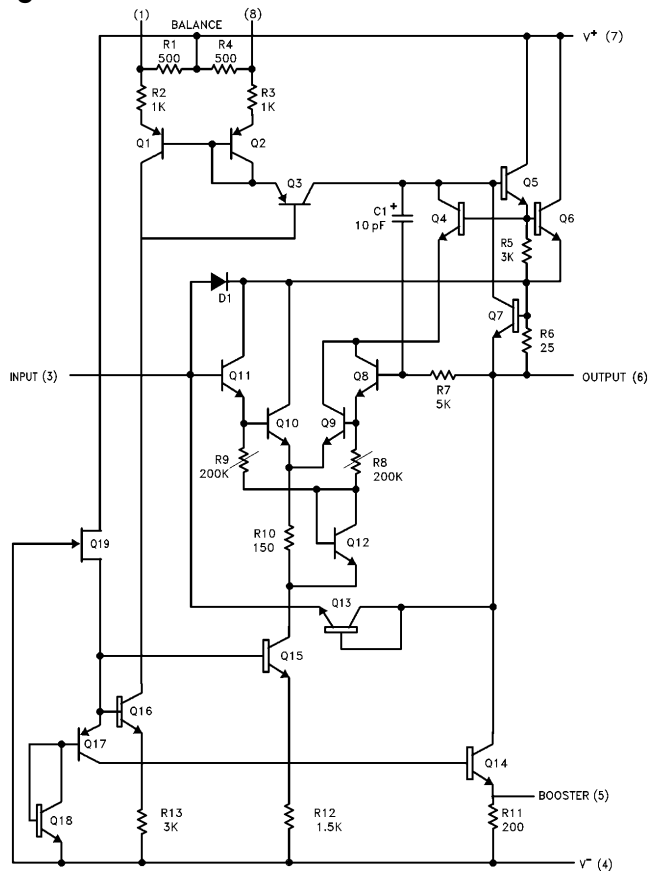
ing lower offset voltage, drift, bias current and noise in addition to higher speed and wider operating voltage range.

The LM110 is specified over a temperature range  $-55^{\circ}\text{C} \leq T_A \leq +125^{\circ}\text{C}$ , the LM210 from  $-25^{\circ}\text{C} \leq T_A \leq +85^{\circ}\text{C}$  and the LM310 from  $0^{\circ}\text{C} \leq T_A \leq +70^{\circ}\text{C}$ .

### Features

- Input current 10 nA max over temperature
- Small signal bandwidth 20 MHz
- Slew rate 30 V/ $\mu\text{s}$
- Supply voltage range  $\pm 5\text{V}$  to  $\pm 18\text{V}$

### Schematic Diagram



## Absolute Maximum Ratings

If Military/Aerospace specified devices are required, please contact the National Semiconductor Sales Office/Distributors for availability and specifications. (Note 6)

Supply Voltage	± 18V
Power Dissipation (Note 1)	500 mW
Input Voltage (Note 2)	± 15V
Output Short Circuit Duration (Note 3)	Indefinite
Operating Temperature Range	
LM110	−55°C to +125°C
LM210	−25°C to +85°C
LM310	0°C to +70°C

Storage Temperature Range	−65°C to +150°C
Lead Temperature (Soldering, 10 sec.)	260°C
Soldering Information	
Dual-In-Line Package	
Soldering (10 sec.)	260°C
Small Outline Package	
Vapor Phase (60 sec.)	215°C
Infrared (15 sec.)	220°C
See AN-450 "Surface Mounting Methods and Their Effect on Product Reliability" for other methods of soldering surface mount devices.	
ESD rating to be determined.	

## Electrical Characteristics (Note 4)

Parameter	Conditions	LM110			LM210			LM310			Units
		Min	Typ	Max	Min	Typ	Max	Min	Typ	Max	
Input Offset Voltage	$T_A = 25^\circ\text{C}$		1.5	4.0		1.5	4.0		2.5	7.5	mV
Input Bias Current	$T_A = 25^\circ\text{C}$		1.0	3.0		1.0	3.0		2.0	7.0	nA
Input Resistance	$T_A = 25^\circ\text{C}$	$10^{10}$	$10^{12}$		$10^{10}$	$10^{12}$		$10^{10}$	$10^{12}$		$\Omega$
Input Capacitance			1.5			1.5			1.5		pF
Large Signal Voltage Gain	$T_A = 25^\circ\text{C}$ , $V_S = \pm 15\text{V}$ $V_{OUT} = \pm 10\text{V}$ , $R_L = 8\text{ k}\Omega$	0.999	0.9999		0.999	0.9999		0.999	0.9999		V/V
Output Resistance	$T_A = 25^\circ\text{C}$		0.75	2.5		0.75	2.5		0.75	2.5	$\Omega$
Supply Current	$T_A = 25^\circ\text{C}$		3.9	5.5		3.9	5.5		3.9	5.5	mA
Input Offset Voltage				6.0			6.0			10	mV
Offset Voltage Temperature Drift	$-55^\circ\text{C} \leq T_A \leq +85^\circ\text{C}$ $+85 \leq T_A \leq 125^\circ\text{C}$ $0^\circ\text{C} \leq T_A \leq +70^\circ\text{C}$		6 12			6			10		$\mu\text{V}/^\circ\text{C}$ $\mu\text{V}/^\circ\text{C}$ $\mu\text{V}/^\circ\text{C}$
Input Bias Current				10			10			10	nA
Large Signal Voltage Gain	$V_S = \pm 15\text{V}$ , $V_{OUT} = \pm 10\text{V}$ $R_L = 10\text{ k}\Omega$	0.999			0.999			0.999			V/V
Output Voltage Swing (Note 5)	$V_S = \pm 15\text{V}$ , $R_L = 10\text{ k}\Omega$	± 10			± 10			± 10			V
Supply Current	$T_A = 125^\circ\text{C}$		2.0	4.0		2.0	4.0				mA
Supply Voltage Rejection Ratio	$\pm 5\text{V} \leq V_S \leq \pm 18\text{V}$	70	80		70	80		70	80		dB

**Note 1:** The maximum junction temperature of the LM110 is 150°C, of the LM210 is 100°C, and of the LM310 is 85°C. For operating at elevated temperatures, devices in the HO8 package must be derated based on a thermal resistance of 165°C/W, junction to ambient, or 22°C/W, junction to case. The thermal resistance of the dual-in-line package is 100°C/W, junction to ambient.

**Note 2:** For supply voltages less than ± 15V, the absolute maximum input voltage is equal to the supply voltage.

**Note 3:** Continuous short circuit for the LM110 and LM210 is allowed for case temperatures to 125°C and ambient temperatures to 70°C, and for the LM310, 70°C case temperature or 55°C ambient temperature. It is necessary to insert a resistor greater than 2 k $\Omega$  in series with the input when the amplifier is driven from low impedance sources to prevent damage when the output is shorted.  $R_S = 5\text{ k}\Omega$  min, 10k typical is recommended for dynamic stability in all applications.

**Note 4:** These specifications apply for  $\pm 5\text{V} \leq V_S \leq \pm 18\text{V}$  and  $-55^\circ\text{C} \leq T_A \leq 125^\circ\text{C}$  for the LM110,  $-25^\circ\text{C} \leq T_A \leq 85^\circ\text{C}$  for the LM210, and  $0^\circ\text{C} \leq T_A \leq 70^\circ\text{C}$  for the LM310 unless otherwise specified.

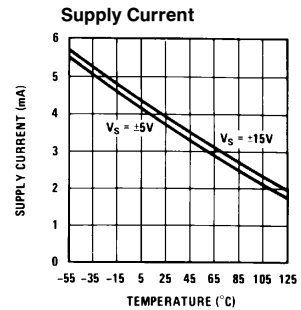
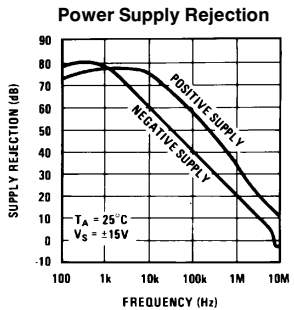
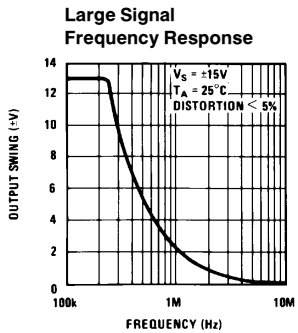
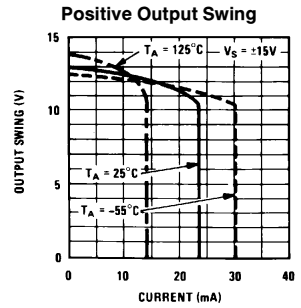
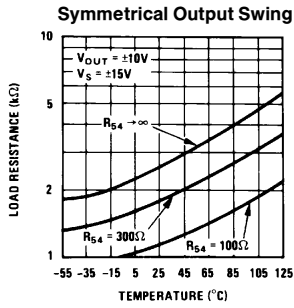
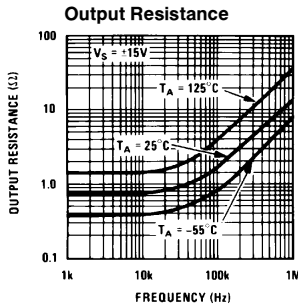
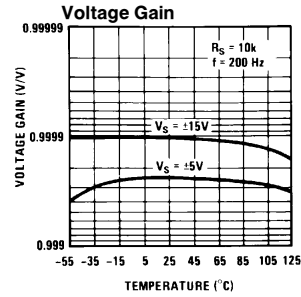
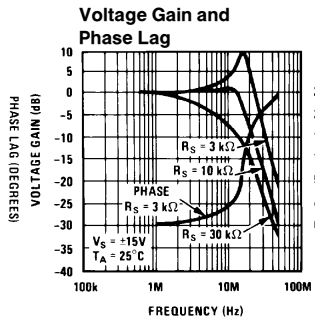
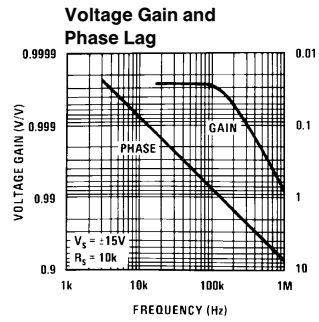
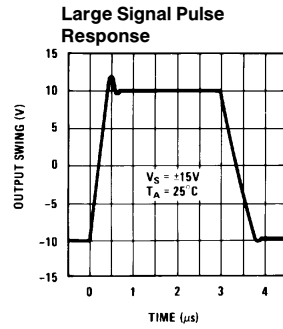
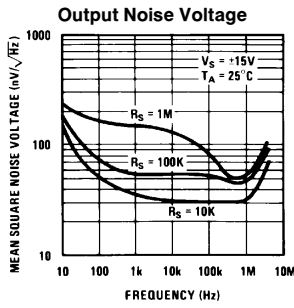
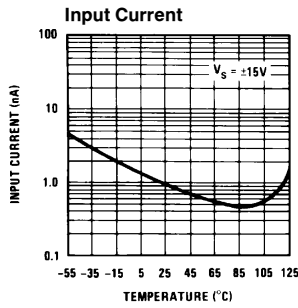
**Note 5:** Increased output swing under load can be obtained by connecting an external resistor between the booster and  $V^-$  terminals. See curve.

**Note 6:** Refer to RETS110X for LM110H, LM110J military specifications.

## Application Hint

The input must be driven from a source impedance of typically 10 k $\Omega$  (5 k $\Omega$  min.) to maintain stability. The total source impedance will be reduced at high frequencies if there is stray capacitance at the input pin. In these cases, a 10 k $\Omega$  resistor should be inserted in series with the input, physically close to the input pin to minimize the stray capacitance and prevent oscillation.

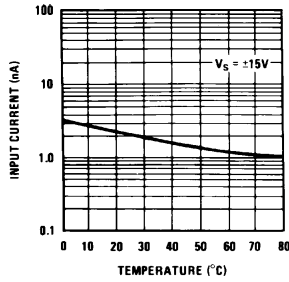
# Typical Performance Characteristics (LM110/LM210)



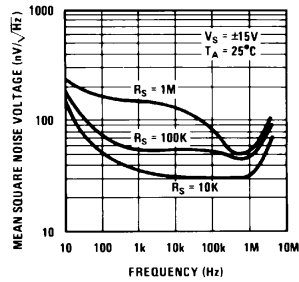
TL/H/7761-28

# Typical Performance Characteristics (LM310)

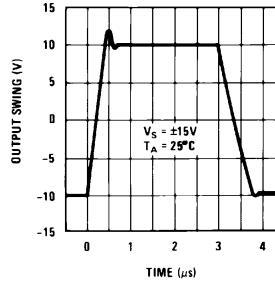
**Input Current**



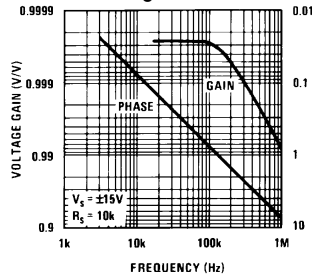
**Output Noise Voltage**



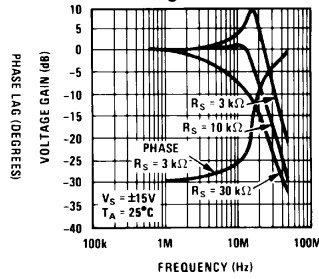
**Large Signal Pulse Response**



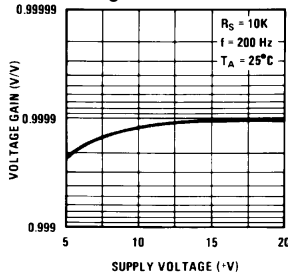
**Voltage Gain and Phase Lag**



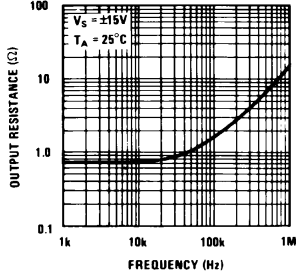
**Voltage Gain and Phase Lag**



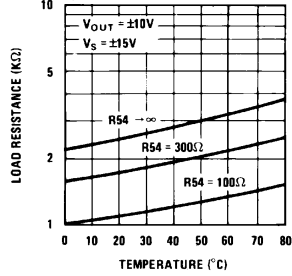
**Voltage Gain**



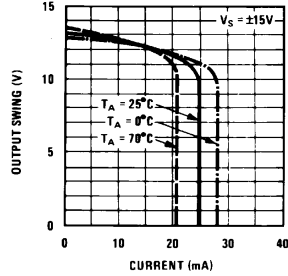
**Output Resistance**



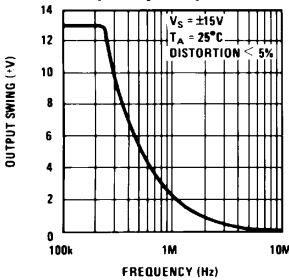
**Symmetrical Output Swing**



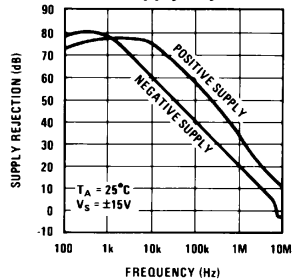
**Positive Output Swing**



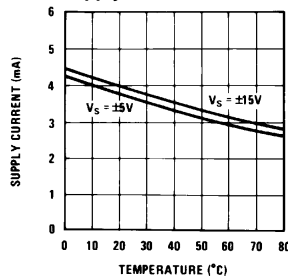
**Large Signal Frequency Response**



**Power Supply Rejection**



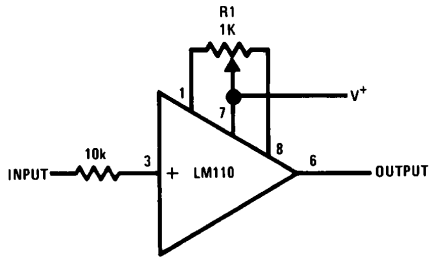
**Supply Current**



TL/H/7761-29

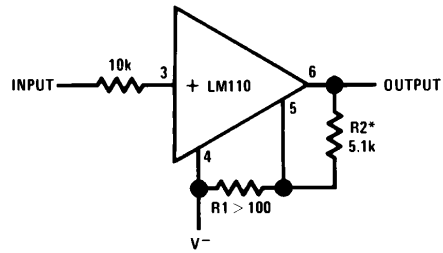
## Auxiliary Circuits

Offset Balancing Circuit



TL/H/7761-2

Increasing Negative Swing Under Load

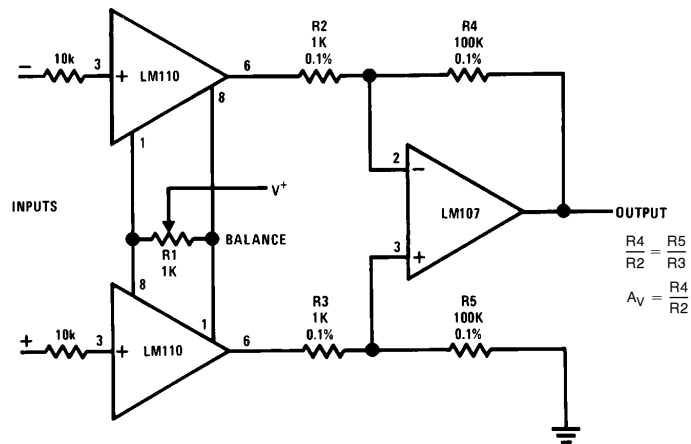


TL/H/7761-3

\*May be added to reduce internal dissipation

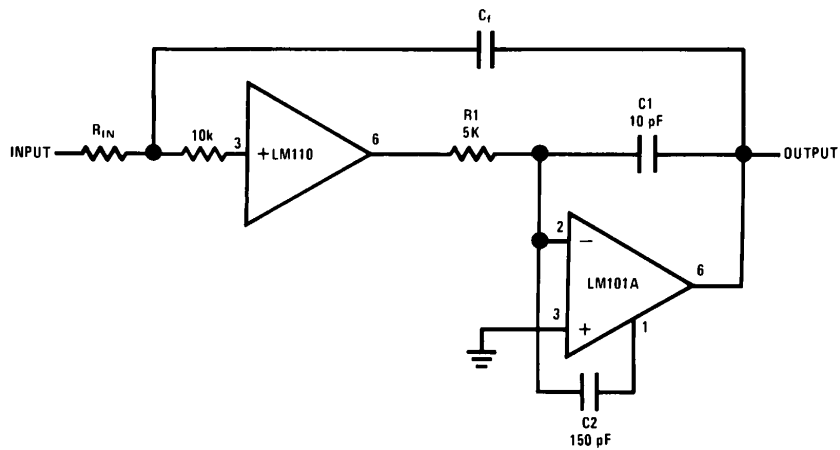
## Typical Applications

Differential Input Instrumentation Amplifier



TL/H/7761-4

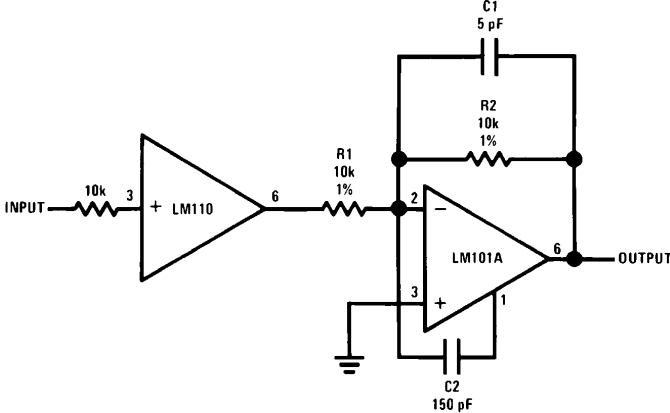
Fast Integrator with Low Input Current



TL/H/7761-5

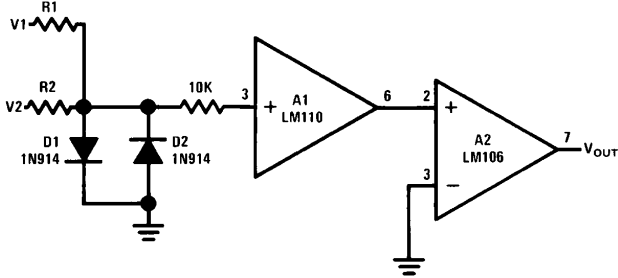
**Typical Applications** (Continued)

**Fast Inverting Amplifier with High Input Impedance**



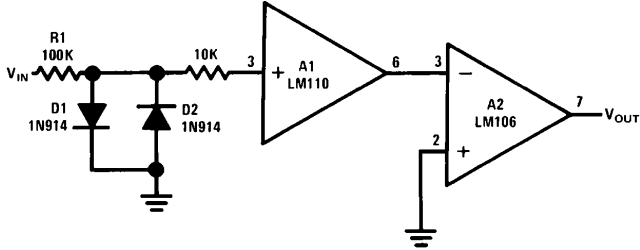
TL/H/7761-6

**Comparator for Signals of Opposite Polarity**



TL/H/7761-7

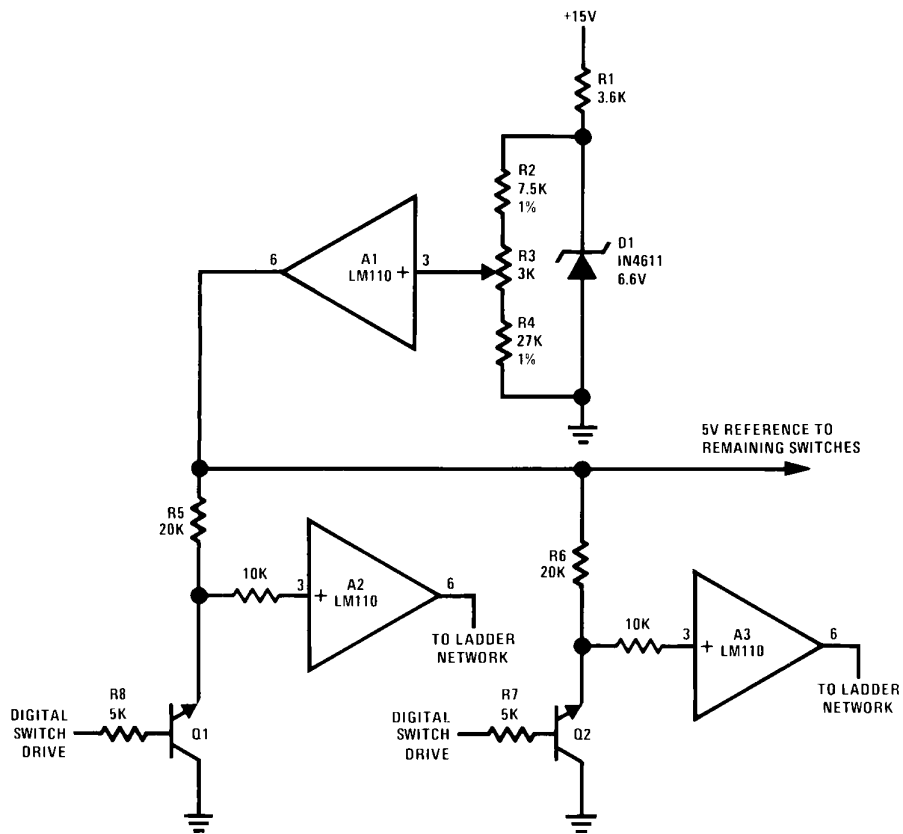
**Zero Crossing Detector**



TL/H/7761-9

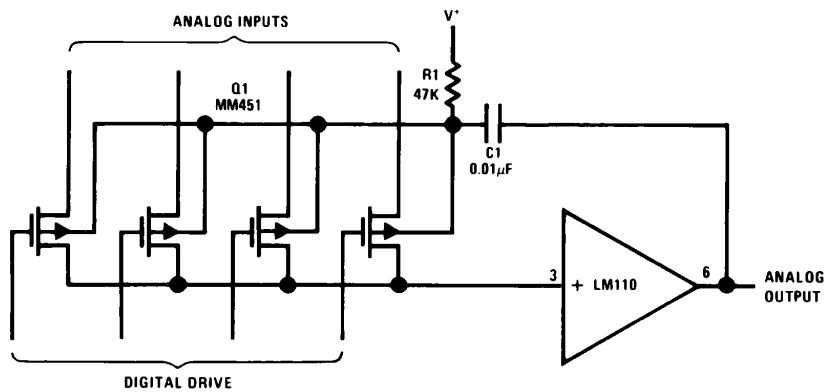
**Typical Applications** (Continued)

**Driver for A/D Ladder Network**



TL/H/7761-8

**Buffer for Analog Switch\***

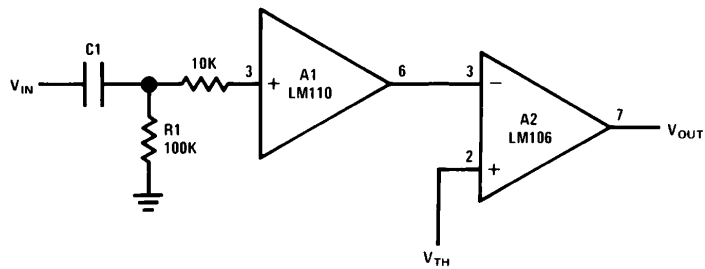


\*Switch substrates are boot-strapped to reduce output capacitance of switch.

TL/H/7761-10

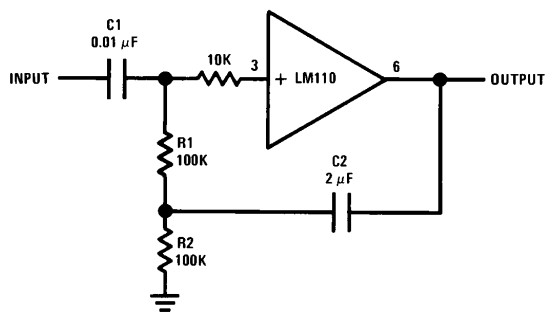
## Typical Applications (Continued)

### Comparator for AC Coupled Signals



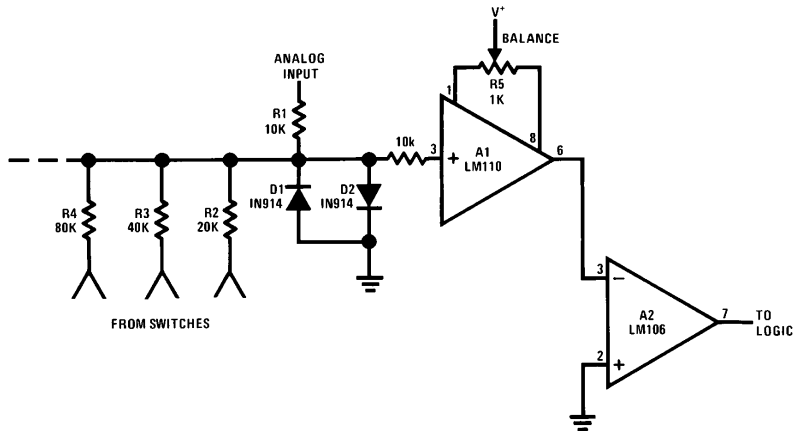
TL/H/7761-11

### High Input Impedance AC Amplifier



TL/H/7761-12

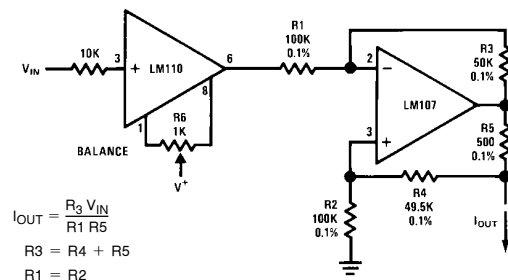
### Comparator for A/D Converter Using a Binary-Weighted Network



TL/H/7761-13

## Typical Applications (Continued)

### Bilateral Current Source



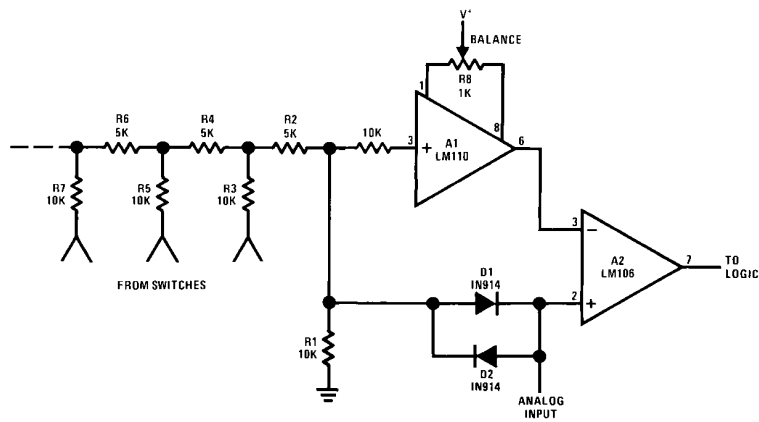
$$I_{OUT} = \frac{R_3 V_{IN}}{R_1 R_5}$$

$$R_3 = R_4 + R_5$$

$$R_1 = R_2$$

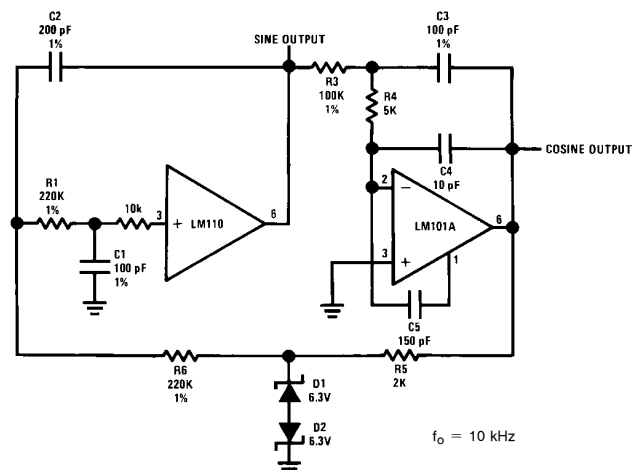
TL/H/7761-14

### Comparator for A/D Converter Using a Ladder Network



TL/H/7761-15

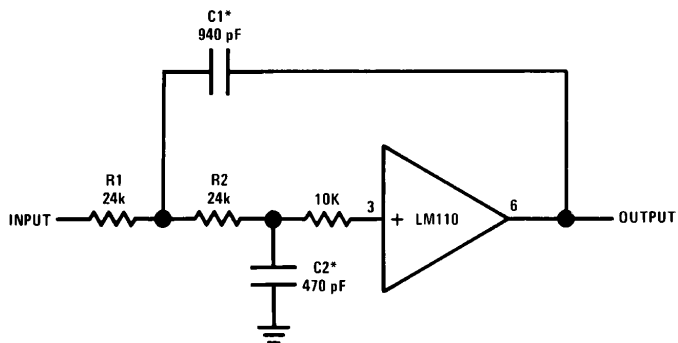
### Sine Wave Oscillator



TL/H/7761-16

## Typical Applications (Continued)

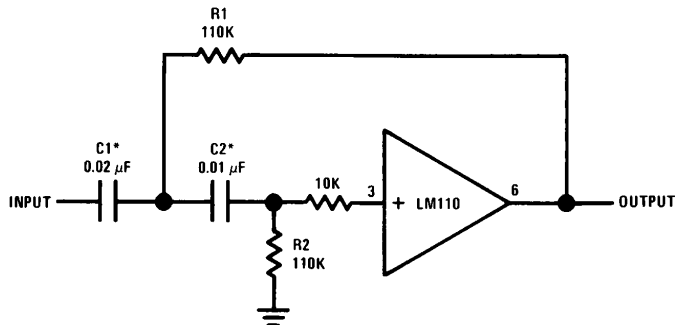
### Low Pass Active Filter



\*Values are for 10 kHz cutoff. Use silvered mica capacitors for good temperature stability.

TL/H/7761-18

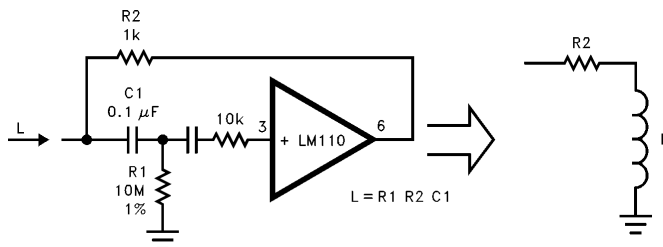
### High Pass Active Filter



\*Values are for 100 Hz cutoff. Use metallized polycarbonate capacitors for good temperature stability.

TL/H/7761-19

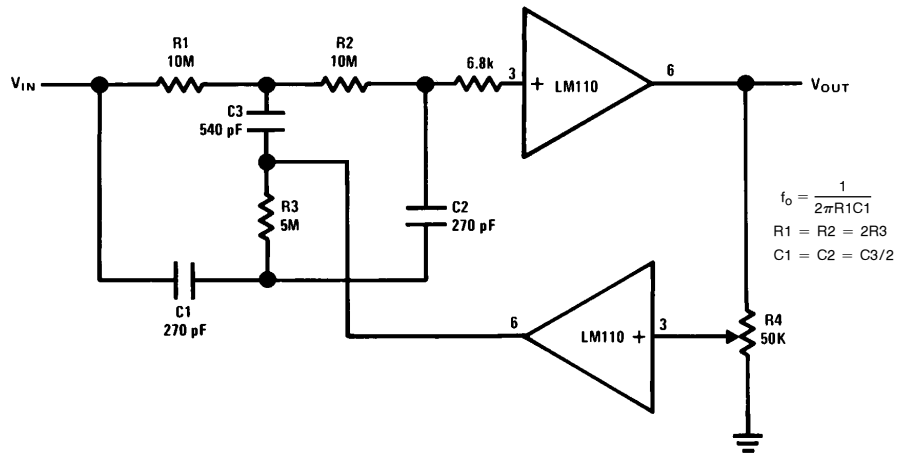
### Simulated Inductor



TL/H/7761-21

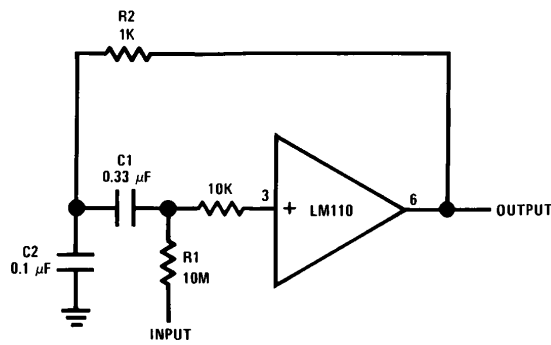
## Typical Applications (Continued)

### Adjustable Q Notch Filter



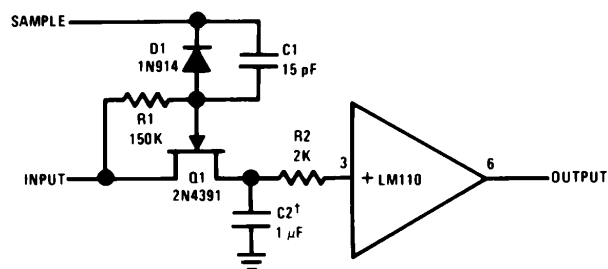
TL/H/7761-22

### Bandpass Filter



TL/H/7761-23

### Sample and Hold

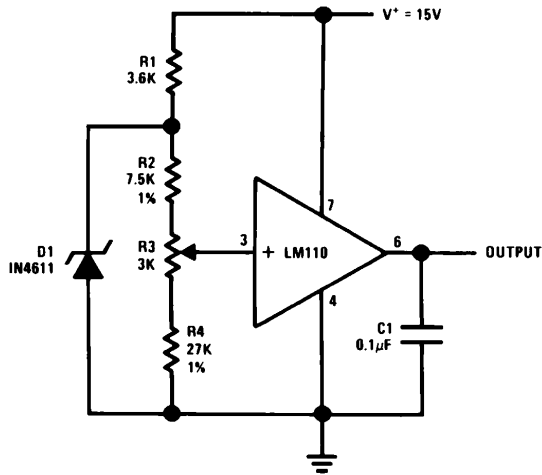


TL/H/7761-24

†Use capacitor with polycarbonate teflon or polyethylene dietic

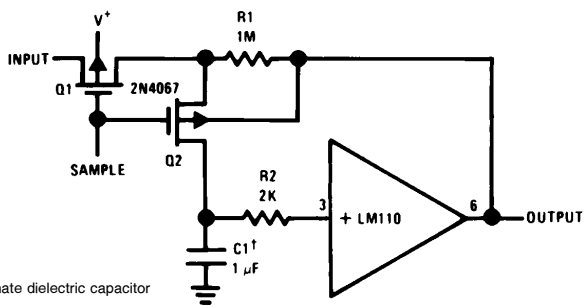
## Typical Applications (Continued)

### Buffered Reference Source



TL/H/7761-25

### Low Drift Sample and Hold\*

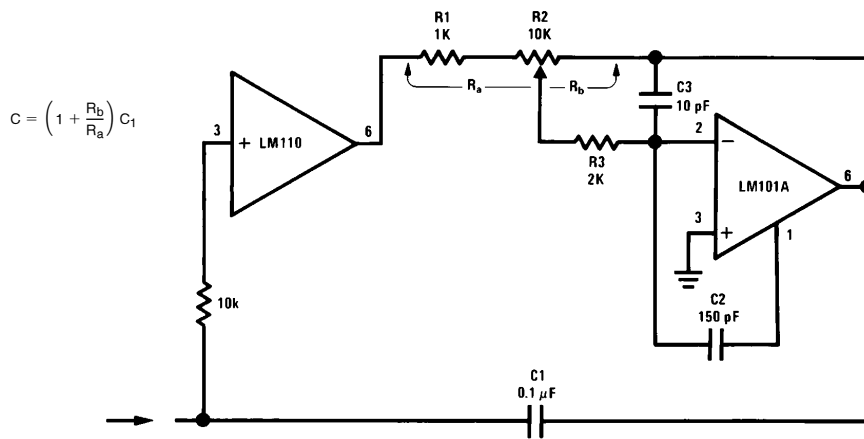


†Teflon polyethylene or polycarbonate dielectric capacitor

\*Worst case drift less than 3 mV/sec

TL/H/7761-26

### Variable Capacitance Multiplier

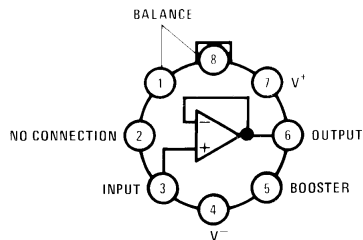


$$C = \left(1 + \frac{R_b}{R_a}\right) C_1$$

TL/H/7761-27

## Connection Diagrams

### Metal Can Package



TL/H/7761-30

Package is connected to Pin 4 ( $V^-$ )

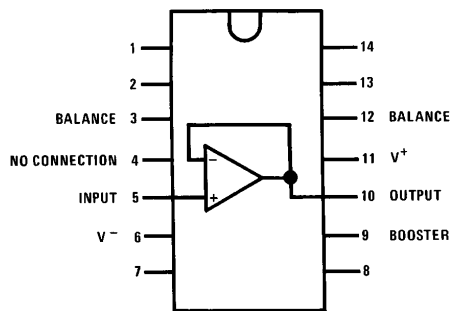
#### Top View

Order Number LM110H, LM210H or LM310H

LM110H/883\*

See NS Package Number H08C

### Dual-In-Line Package



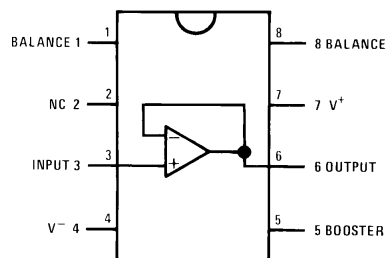
TL/H/7761-31

#### Top View

Order Number LM110J, LM210J,  
LM310J or LM110J/883\*

See NS Package Number J14A

### Dual-In-Line Package



TL/H/7761-32

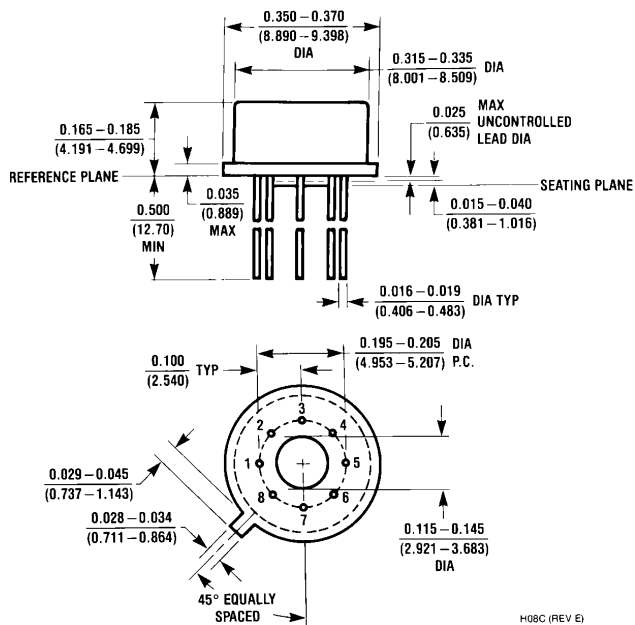
#### Top View

Order Number LM310M, LM310N or LM110J-8/883\*

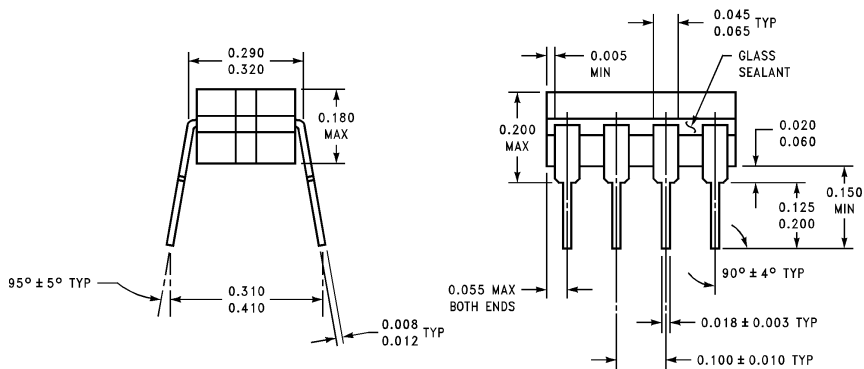
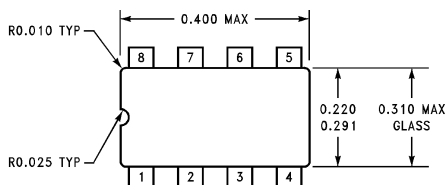
See NS Package Number J08A, M08A or N08E

\*Available per SMD # 5962-8760601

**Physical Dimensions** inches (millimeters)



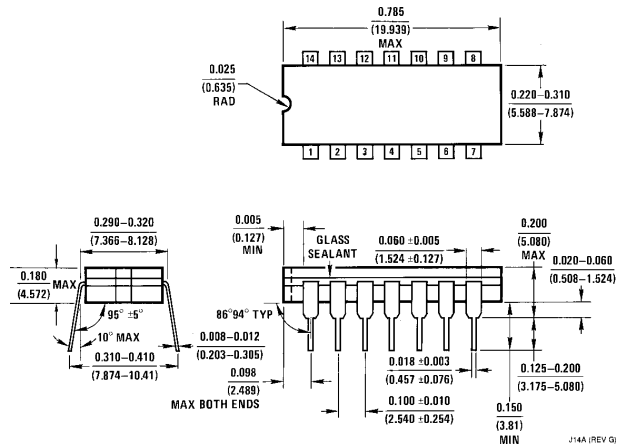
**Metal Can Package (H)**  
**Order Number LM110H, LM110H/883, LM210H or LM310H**  
**NS Package Number H08C**



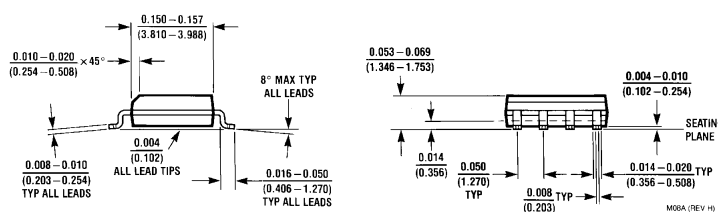
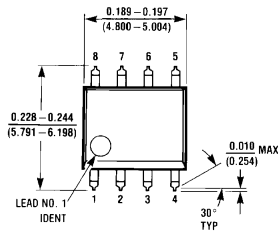
**Dual-In-Line Package (J)**  
**Order Number LM110J-8/883**  
**NS Package Number J08A**

J08A (REV K)

**Physical Dimensions** inches (millimeters) (Continued)



**Ceramic Dual-In-Line Package (J)**  
**Order Number LM110J/883**  
**NS Package Number J14A**




**S.O. Package (M)**  
**Order Number LM310M**  
**NS Package Number M08A**



## Looking for pricing, stock, or lifecycle information?

Click below to explore more details on WIN SOURCE:

 [View LM310H](#) on WIN SOURCE

 [Texas Instruments](#) Information

## Optimize Your Supply Chain with WIN SOURCE Solutions

-  Global Sourcing Solution
-  Obsolete Management
-  Cost Control Management
-  Shortage Management
-  Alternative Solution
-  Excess Inventory Management