

AsahiKASEI
ASAHI KASEI EMD

AK4103A
192kHz 24-Bit DIT

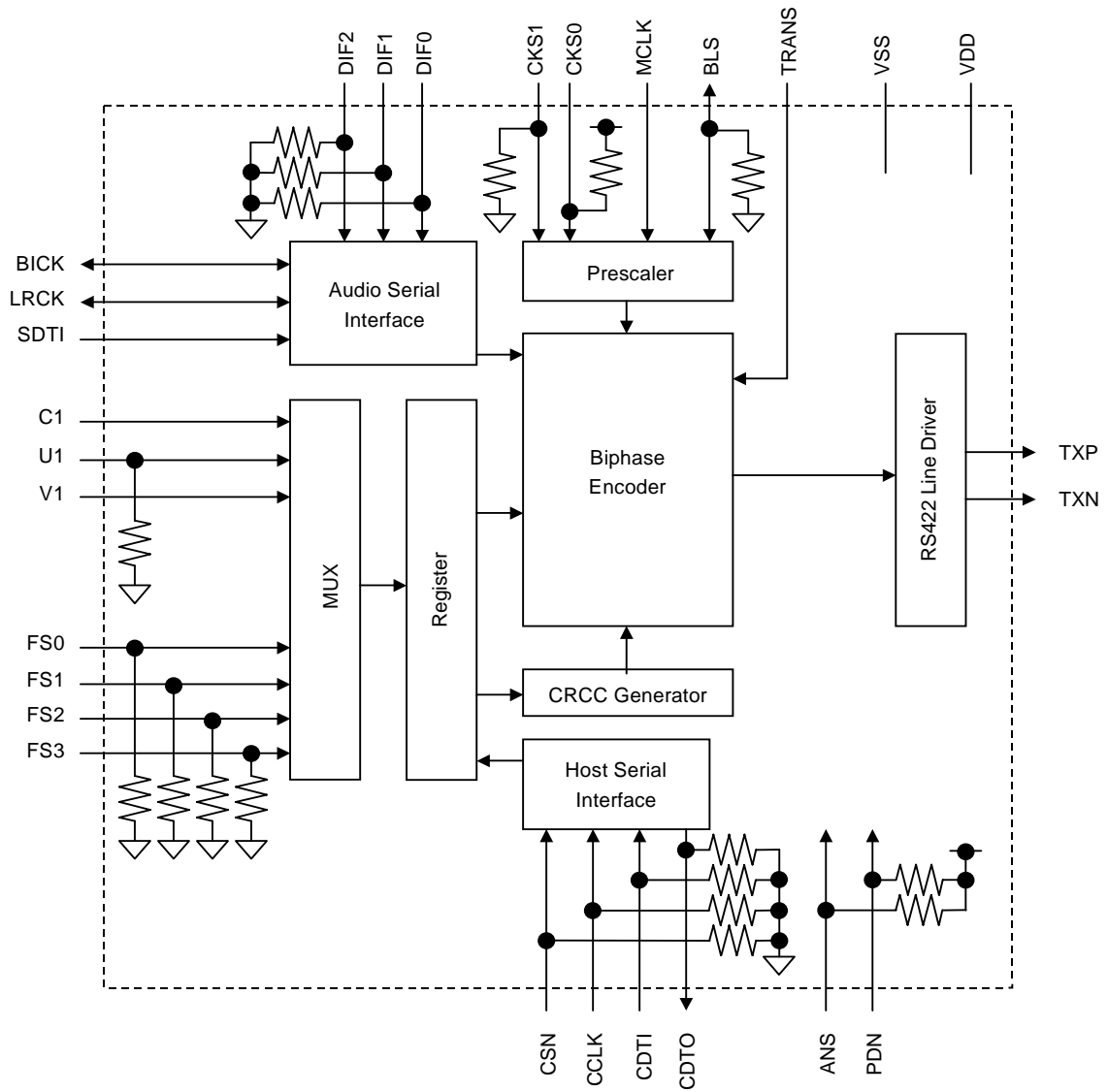
GENERAL DESCRIPTION

The AK4103A is a digital audio transmitter (DIT) which supports data rate up to 192kHz sample rate operation. The AK4103A supports AES3, IEC60958, S/PDIF & EIAJ CP1201 interface standards. The AK4103A accepts audio data, auxiliary information data and etc, which is then biphase-encoded and driven on to a cable. The audio serial port supports eight formats.

FEATURES

- Sampling Rate up to 192kHz
- Support AES3, IEC60958, S/PDIF & EIAJ CP1201 professional and consumer formats
- Generates CRCC codes and parity bits
- On-chip RS422 line driver
- 16-byte on-chip buffer memory for Channel Status and User bits
- Supports synchronous/asynchronous access to Channel Status and User bits
- Supports multiple clock frequencies: 128fs, 256fs, 384fs and 512fs
- Supports Left/Right justified and I²S audio formats
- Easy to use 4 wire, Serial Host Interface
- Audio Routing Mode (Transparent Mode)
- Power supply: 4.75 to 5.25V
- TTL level I/F
- Small Package: 24pin VSOP
- Temperature range of - 40 to 85 °C

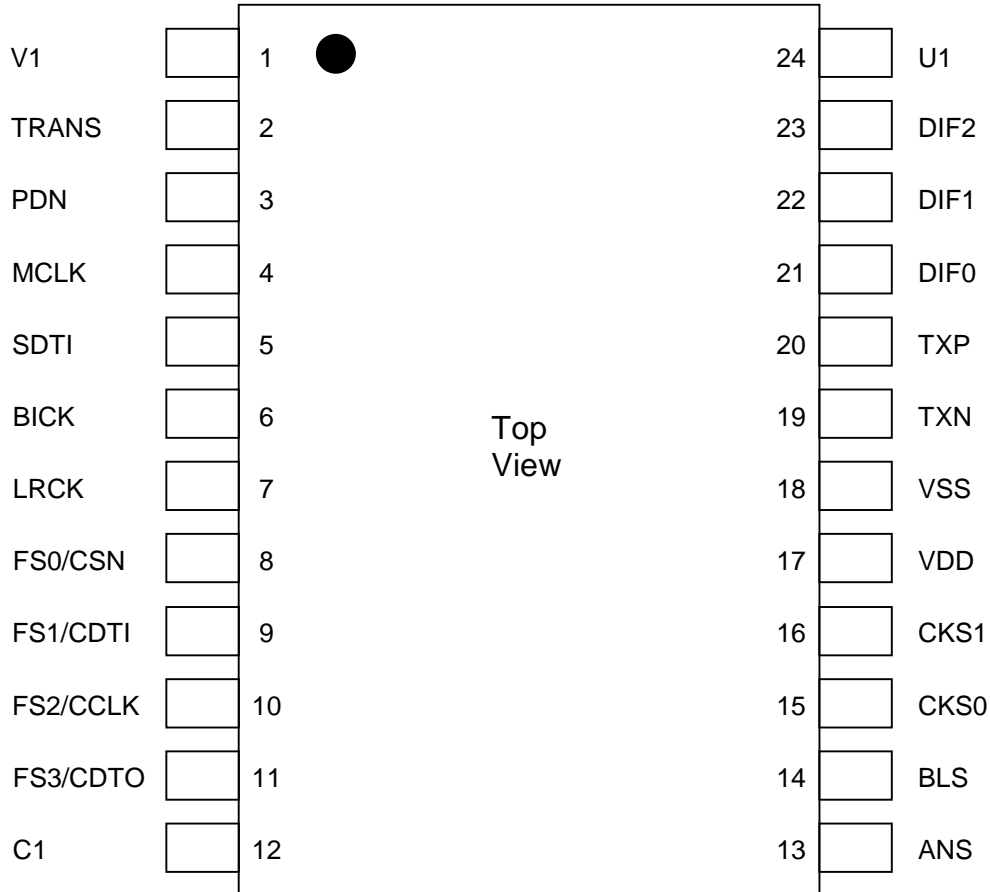
■ Block Diagram



■ Ordering Guide

AK4103AVF	-40 ~ +85°C	24pin VSOP (0.65mm pitch)
AKD4103A	Evaluation Board for AK4103A	

■ Pin Layout



■ Comparison AK4103 with AK4103A

Function		AK4103	AK4103A
Ambient Temperature		-10 ~ 70°C	-40 ~ 85°C
CRCC generation by FS3-0 pins	Synchronous mode	X	O
CRCC generation by FS3-0 bits	Asynchronous mode	X	O

O: Input data is reflected to CRCC.

X: Input data is ignored for CRCC.

PIN/FUNCTION			
No.	Pin Name	I/O	Description
1	V1	I	Validity Bit Input Pin
2	TRANS	I	Audio Routing Mode (Transparent Mode) Pin at Synchronous mode 0: Normal mode, 1: Audio routing mode (transparent mode)
3	PDN	I	Power Down & Reset Pin (Pull-up Pin) When “L”, the AK4103A is powered-down, TXP/N pins are “L” and the control registers are reset to default values.
4	MCLK	I	Master Clock Input Pin
5	SDTI	I	Audio Serial Data Input Pin
6	BICK	I/O	Audio Serial Data Clock Input/Output Pin Serial Clock for SDTI pin which can be configured as an output based on the DIF2-0 inputs.
7	LRCK	I/O	Input/Output Channel Clock Pin Indicates left or right channel, and can be configured as an output based on the DIF2-0 inputs.
8	FS0	I	Sampling Frequency Select 0 Pin at Synchronous mode (Pull-down Pin)
	CSN	I	Host Interface Chip Select Pin at Asynchronous mode (Pull-down Pin)
	AKMODE	I	AK4112B Mode Pin at Audio routing mode (Pull-down Pin) 0: Non-AKM receivers mode, 1: AK4112B mode
9	FS1	I	Sampling Frequency Select 1 Pin at Synchronous mode (Pull-down Pin)
	CDTI	I	Host Interface Data Input Pin at Asynchronous mode (Pull-down Pin)
10	FS2	I	Sampling Frequency Select 2 Pin at Synchronous mode (Pull-down Pin)
	CCLK	I	Host Interface Bit Clock Input Pin at Asynchronous mode (Pull-down Pin)
11	FS3	I	Sampling Frequency Select 3 Pin at Synchronous mode (Pull-down Pin)
	CDTO	O	Host Interface Data Output Pin at Asynchronous mode (Pull-down Pin)
12	C1	I	Channel Status Bit Input Pin
13	ANS	I	Asynchronous/Synchronous Mode Select Pin (Pull-up Pin) 0: Asynchronous mode, 1: Synchronous mode
14	BLS	I/O	Block Start Input/Output Pin (Pull-down Pin) In normal mode, the channel status block output is “H” for the first four bytes. In audio routing mode, the pin is configured as an input. When PDN pin = “L”, BLS pin goes “H” at Normal mode.
15	CKS0	I	Clock Mode Select 0 Pin (Pull-up Pin)
16	CKS1	I	Clock Mode Select 1 Pin (Pull-down Pin)
17	VDD	-	Power Supply Pin, 4.75V~5.25V
18	VSS	-	Ground Pin, 0V
19	TXN	O	Negative Differential Output Pin
20	TXP	O	Positive Differential Output Pin
21	DIF0	I	Audio Serial Interface Select 0 Pin (Pull-down Pin)
22	DIF1	I	Audio Serial Interface Select 1 Pin (Pull-down Pin)
23	DIF2	I	Audio Serial Interface Select 2 Pin (Pull-down Pin)
24	U1	I	User Data Bit Input Pin for Channel 1 (Pull-down Pin)

Note 1. Internal pull-up and pull-down resistors are connected on-chip. The value of the resistors is 43k Ω (typ).

Note 2. All input pins except internal pull-down/pull-up pins should not be left floating.

ABSOLUTE MAXIMUM RATINGS

(VSS=0V; Note 3)

Parameter	Symbol	min	max	Units
Power Supply	VDD	-0.3	6.0	V
Input Current (All pins except supply pins)	IIN	-	±10	mA
Input Voltage	VIND	-0.3	VDD+0.3	V
Ambient Operating Temperature	Ta	-40	85	°C
Storage Temperature	Tstg	-65	150	°C

Note 3. All voltages with respect to ground.

WARNING: Operation at or beyond these limits may results in permanent damage to the device.
Normal operation is not guaranteed at these extremes.

RECOMMENDED OPERATING CONDITIONS

(VSS=0V; Note 3)

Parameter	Symbol	min	typ	max	Units
Power Supply	VDD	4.75	5.0	5.25	V

*AKEMD assumes no responsibility for the usage beyond the conditions in this datasheet.

DC CHARACTERISTICS

(Ta=25°C; VDD=4.75~5.25V)

Parameter	Symbol	min	typ	max	Units
Power Supply Current (fs=108kHz, Note 4)	IDD		6	15	mA
High-Level Input Voltage	VIH	2.4	-	-	V
Low-Level Input Voltage	VIL	-	-	0.8	V
High-Level Output Voltage	VOH	VDD-1.0	-	-	V
(Except TXP/N pins: Iout=-400μA)	VOH	VDD-0.8	-	-	V
(TXP/N pins: Iout= -8mA)					
Low-Level Output Voltage	VOL	-	-	0.4	V
(Except TXP/N pins: Iout= 400μA)	VOL	-	-	0.6	V
(TXP/N pins: Iout= 8mA)					
Input Leakage Current	Iin	-	-	±10	μA

Note 4. Power supply current (IDD) is 3mA(typ)@fs=48kHz and 9mA(typ)@fs=192kHz.

IDD increases by 20mA(typ) with professional output driver circuit.

IDD is 350μA(typ) if PDN pin = "L", TRANS pin = "H" and all other input pins except internal pull-up/pull-down pins are held to VSS.

SWITCHING CHARACTERISTICS

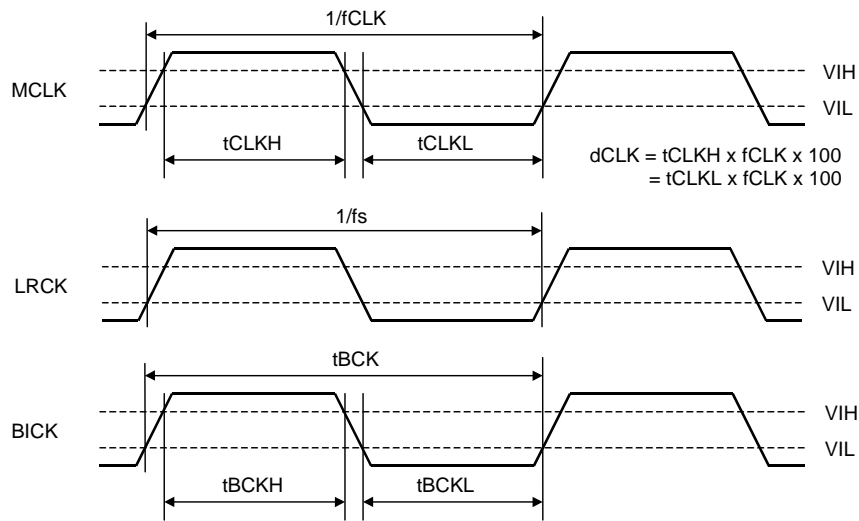
(Ta=25°C; VDD=4.75~5.25V; CL=20pF)

Parameter	Symbol	min	typ	max	Units
Master Clock Timing					
Frequency	fCLK	3.584		27.648	MHz
Duty Cycle	dCLK	40		60	%
LRCK Timing					
Frequency	fs	28		192	kHz
Duty Cycle at Slave Mode	dLCK	45		55	%
Duty Cycle at Master Mode			50		%
Audio Interface Timing					
Slave Mode					
BICK Period	tBCK	36			ns
BICK Pulse Width Low	tBCKL	15			ns
Pulse Width High	tBCKH	15			ns
LRCK Edge to BICK “↑”	tLRB	15			ns
BICK “↑” to LRCK Edge	tBLR	15			ns
SDTI Hold Time	tSDH	8			ns
SDTI Setup Time	tSDS	8			ns
Master Mode					
BICK Frequency	fBCK		64fs		Hz
BICK Duty	dBCK		50		%
BICK “↓” to LRCK	tMBLR	-20		20	ns
SDTI Hold Time	tSDH	20			ns
SDTI Setup Time	tSDS	20			ns
Control Interface Timing					
CCLK Period	tCCK	200			ns
CCLK Pulse Width Low	tCCKL	80			ns
Pulse Width High	tCCKH	80			ns
CDTI Setup Time	tCDS	50			ns
CDTI Hold Time	tCDH	50			ns
CSN “H” Time	tCSW	520			ns
CSN “↓” to CCLK “↑”	tCSS	50			ns
CCLK “↑” to CSN “↑”	tCSH	50			ns
CDTO Delay	tDCD			45	ns
CSN “↑” to CDTO Hi-Z	tCCZ			70	ns
Power-down & Reset Timing					
PDN Pulse Width	tPDW	150			ns

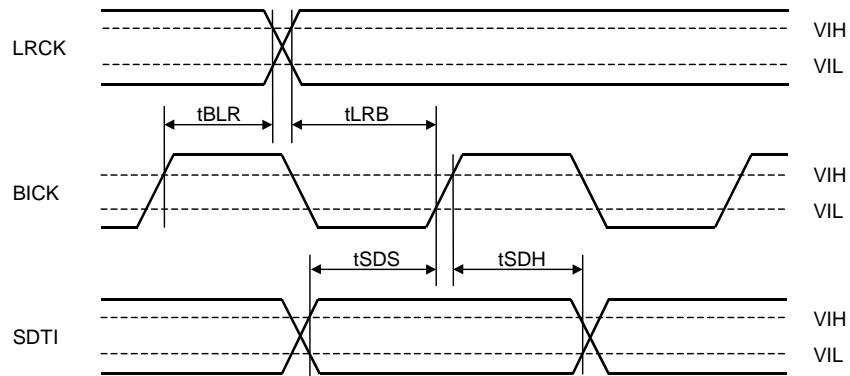
Note 5. BICK rising edge must not occur at the same time as LRCK edge.

Note 6. CDTO pin is internally connected to a pull-down resistor.

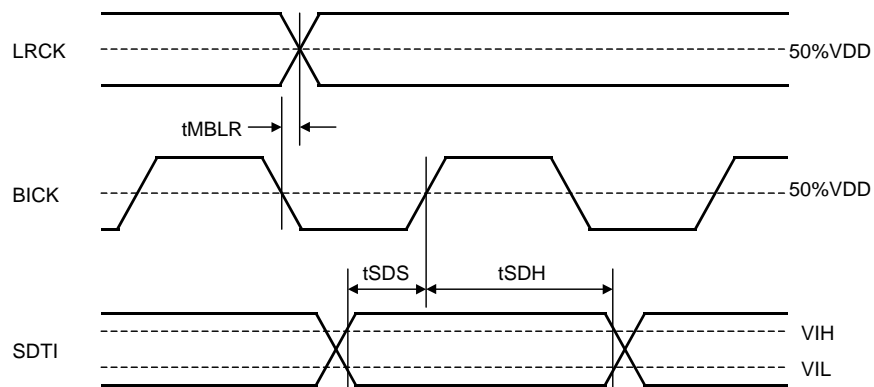
■ Timing Diagram



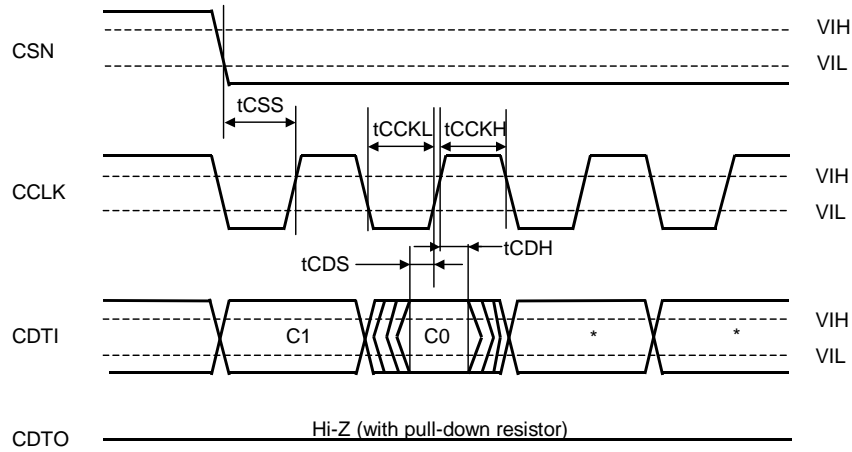
Clock Timing



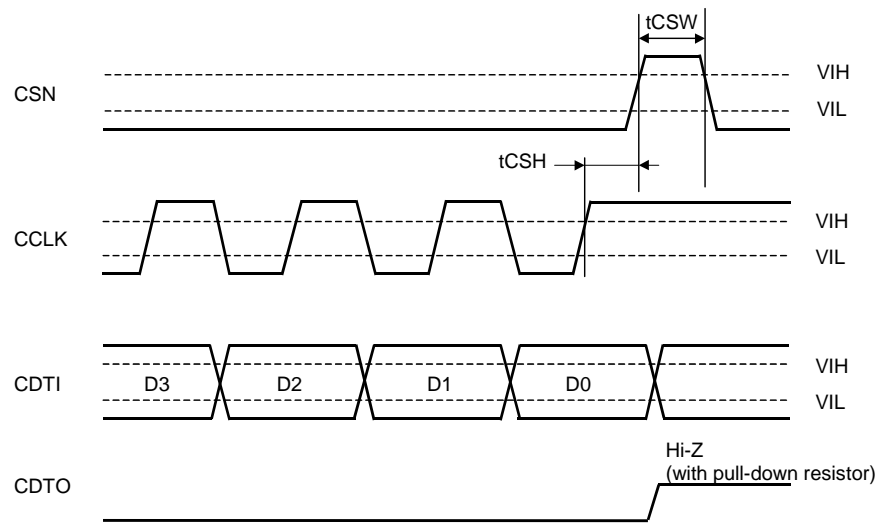
Audio Interface Timing (Slave Mode)



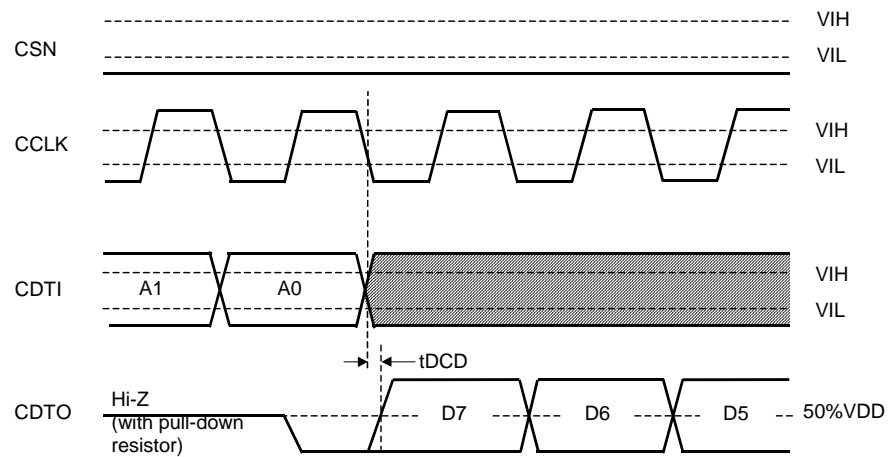
Audio Interface Timing (Master Mode)



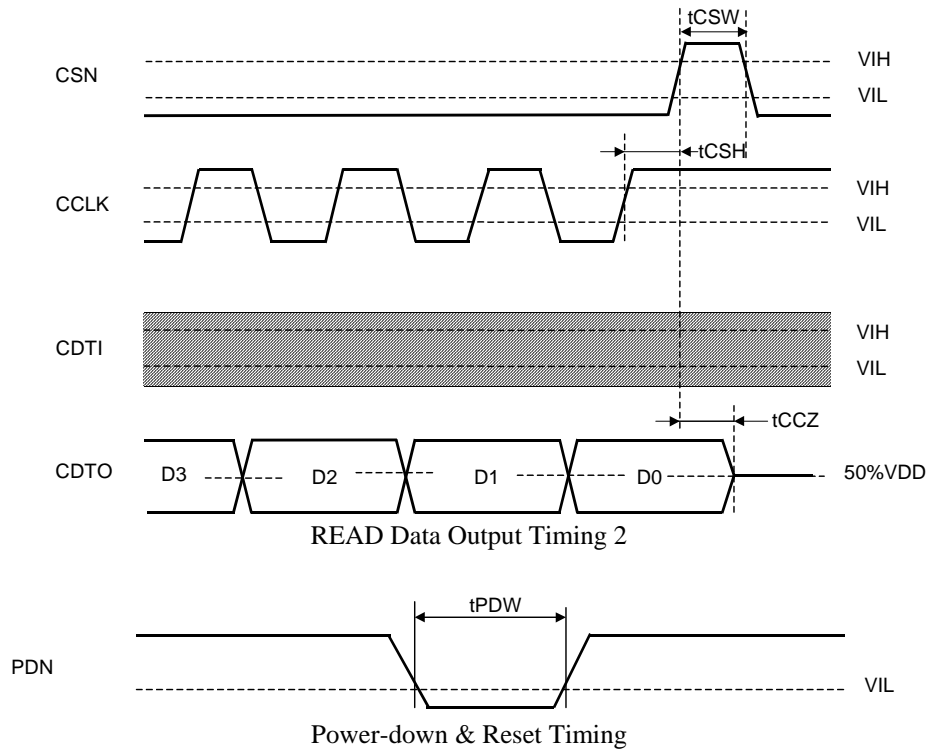
WRITE/READ Command Input Timing



WRITE Data Input Timing



READ Data Output Timing 1



OPERATION OVERVIEW

■ General Description

The AK4103A is a monolithic CMOS circuit that biphas-encodes and transmits audio data, auxiliary information data and etc according to the AES3, IEC60958, S/PDIF and EIAJ CP1201 interface standards. There is one set of stereo channels that can be transmitted simultaneously. The chip accepts audio data and auxiliary information data separately, biphas-mark encodes the data internally, and drives it directly or through a transformer to a transmission line. There are two modes of operation: asynchronous and synchronous. See section of “Asynchronous mode / Synchronous mode”.

■ Initialization

The AK4103A takes 8 bit clock cycles to initialize after PDN pin goes inactive. Also, for correct synchronization, MCLK should be synchronized with LRCK but the phase is not critical.

■ MCLK and LRCK Relationship

For correct synchronization, MCLK and LRCK should be derived from the same clock signal either directly (as through a frequency divider) or indirectly (for example, as through a DSP). The relationship of BICK to LRCK is fixed and should not change. If MCLK or LRCK move such that they are shifted (128fs x 3) or more MCLK cycles from their initial conditions, the chip will reset the internal frame and bit counters. However, control registers are not initialized. The following frequencies are supported for MCLK.

CKS1	CKS0	MCLK	fs
0	0	128fs	28k-192kHz
0	1	256fs	28k-108kHz
1	0	384fs	28k-54kHz
1	1	512fs	28k-54kHz

Table 1. MCLK Frequency

■ Asynchronous Mode/ Synchronous Mode

1. Asynchronous Mode (software controlled)

The AK4103A can be configured in the asynchronous mode by connecting the ANS pin to logic “L”. In this mode the 16 to 24-bit audio samples are accepted through a configured audio serial port, and the channel status and user data through a serial control host interface (SCI). The SCI allows access to internal buffer memory and control registers which are used to store the channel status and user data. 4bytes per channel of user and channel status is stored. This data is multiplexed with the audio data from the audio serial port, the parity bit is generated, and the bit stream is biphas-mark encoded and driven through the RS422 line driver. The CRCC code for the channel status is also generated according to the professional mode definition in the AES3 standards. This mode also allows for software control for mute, reset, audio format selection, clock frequency settings and output enables, via the serial host interface.

2. Synchronous Mode (hardware controlled)

The AK4103A when configured in synchronous mode accepts 16 - 24 bit audio samples through the audio serial port and provides dedicated pins for the control data and allows all channel status, user data and validity bits to be serially input through port pins. This data is multiplexed, the parity bit generated, and the bit stream is biphase-mark encoded and driven through an RS422 line driver.

2-1. Audio Routing Mode (Transparent Mode)

The AK4103A can be configured in audio routing mode (transparent mode) by ANS pin = TRANS pin = "H". In this mode, the channel status(C), user data(U) and validity(V) bits must pass through unaltered. The Block Start(B) signal is configured as an input, allowing the transmit block structure to be slaved to the block structure of the receiver. The C, U and V are now transmitted with the current audio sample. In audio routing mode, no CRCC bytes are generated and C bits pass through unaltered. In audio routing mode, the FS0/CSN pin changes definition to AKMODE pin. When set "H" the AK4103A can be configured directly with the AK4112B receiver. When set "L", it may be used with other non-AKM receivers. Setting the part with TRANS pin = "H" and ANS pin = "L" is illegal and places the chip into a test mode.

Pin		Modes		Source for C, U and V bits
ANS	TRANS	Synchronous/Asynchronous	Audio Routing	
L	L	Asynchronous mode	Normal mode	C Pin ORed Control Register U Pin ORed Control Register V Pin ORed Control Register
L	H	(Test mode)		
H	L	Synchronous mode	Normal mode	C,U and V pin
H	H		Audio routing mode	

Table 2. Mode setting

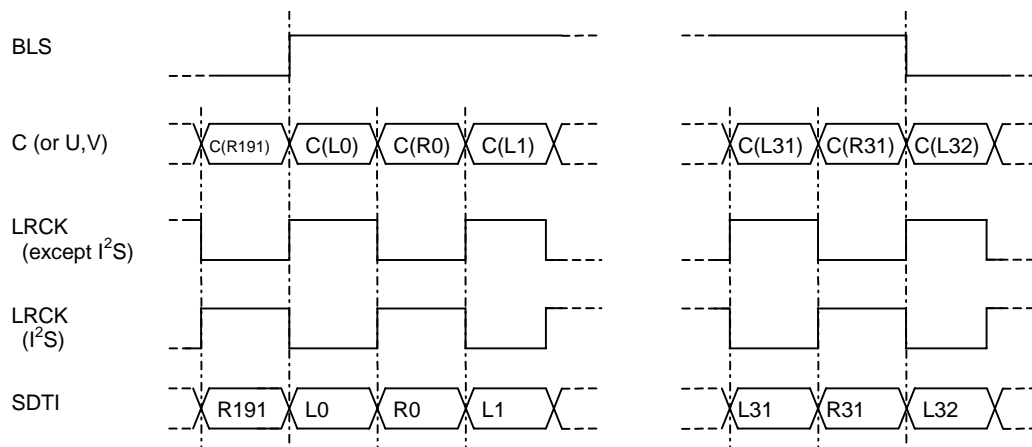


Figure 1. Audio routing mode timing (AKMODE pin = "0")

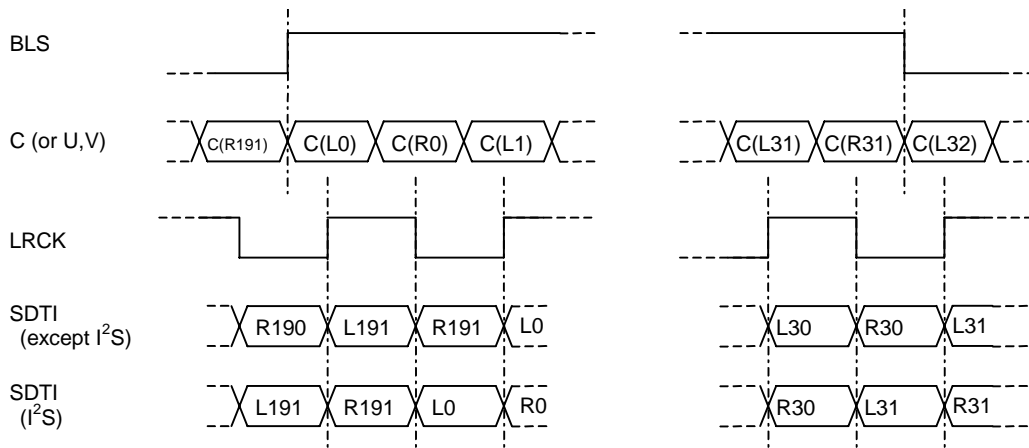


Figure 2. Audio routing mode timing (AKMODE pin = "1")

■ Block Start Timing

Normal mode

In normal mode (TRANS pin = "L"), the block start signal is an output. It goes "H" two bit cycle after the beginning of channel 2 of frame 0 in each block, and stays "H" for the first 32 frames.

Audio Routing Mode (Transparent Mode)

In audio routing mode (transparent mode) (ANS pin = TRANS pin = "H"), the block start becomes an input. Except in I²S mode, a block start signal sampled any time from the first positive BICK edge of the previous left channel to the positive BICK edge preceding the transition of an LRCK indicating the left channel will result in the current left channel being taken as the first sub frame of the current block. See Figure 3 below.

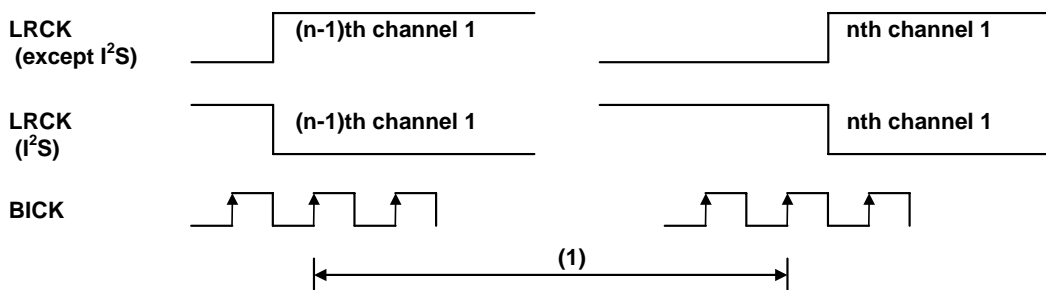


Figure 3. Block start timing in audio routing mode

A block start signal arriving during "(1)" period will result in the usage of "nth channel 1" as the first sub-frame of the block.

■ C, U, V Serial Ports

Normal mode

In normal mode (TRANS pin = “L”), the C, U and V bits are captured (either from the pins, in synchronous mode, or the control registers, in the asynchronous mode) in the sub frame following the audio data. The V bit is set to zero to indicate the audio data is suitable for conversion. See [Figure 4](#) and [Figure 5](#).

Audio routing mode (transparent mode)

In audio routing mode (transparent mode) (ANS pin = TRANS pin = “H”), the C, U and V bits are captured with the same sub-frame as the data to which the C, U and V bits correspond. In all DIF modes except 5 and 7, the C, U and V bits are captured at the first, rising edge of BICK after an LRCK transition. In modes 5 and 7 (I²S), the C, U and V bits are captured at the second rising edge. See [Figure 6](#) and [Figure 7](#).

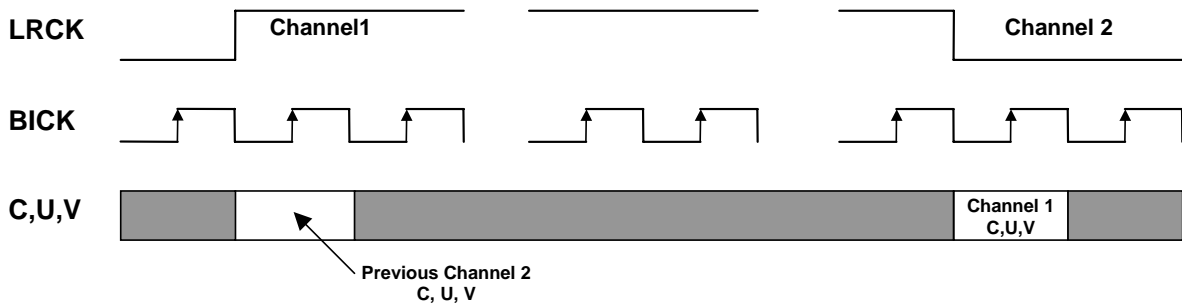


Figure 4. Normal, DIF modes 0/1/2/3/4/6

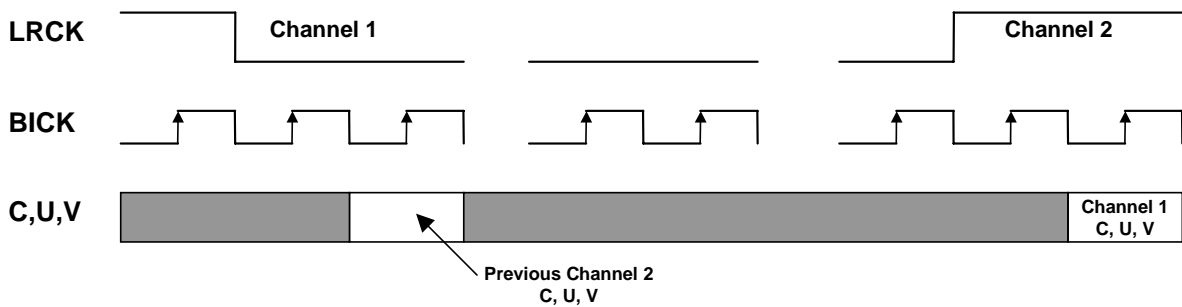


Figure 5. Normal, DIF modes 5 and 7 (I²S)

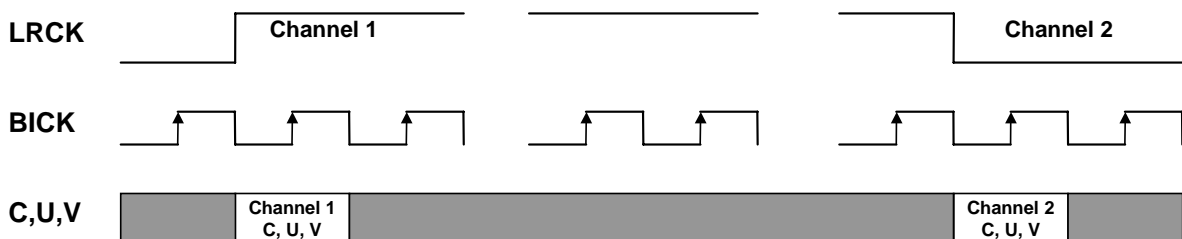


Figure 6. Audio routing, DIF modes 0/1/2/3/4/6

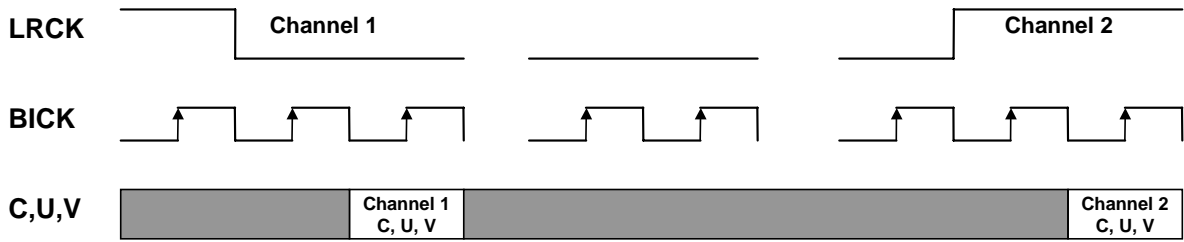


Figure 7. Audio routing, DIF modes 5 and 7 (I²S)

■ Audio Serial Interface

The audio serial interface is used to input audio data and consists of three pins: Bit Clock (BICK), Word Clock (LRCK) & Data pin (SDTI). LRCK indicates the particular channel, left or right. The DIF 2-0 pins in synchronous mode and control registers in asynchronous mode select the particular input mode. In asynchronous mode, DIF2-0 bits are logically ORed with DIF2-0 pins. Audio data format supports 16-24 bits, right justified and left justified modes. The I²S mode is also supported. The AK4103A can be configured in master and slave modes.

Mode	DIF2	DIF1	DIF0	SDTI	Master / Slave	LRCK	BICK
0	0	0	0	16bit, Right justified	Slave	H/L (I)	32fs-128fs (I)
1	0	0	1	18bit, Right justified	Slave	H/L (I)	36fs-128fs (I)
2	0	1	0	20bit, Right justified	Slave	H/L (I)	40fs-128fs (I)
3	0	1	1	24bit, Right justified	Slave	H/L (I)	48fs-128fs (I)
4	1	0	0	24bit, Left justified	Slave	H/L (I)	48fs-128fs (I)
5	1	0	1	24bit, I ² S	Slave	L/H (I)	50fs-128fs (I)
6	1	1	0	24bit, Left justified	Master	H/L (O)	64fs (O)
7	1	1	1	24bit, I ² S	Master	L/H (O)	64fs (O)

Table 3. Audio Data Format Modes [NOTE; (I): Input, (O): Output]

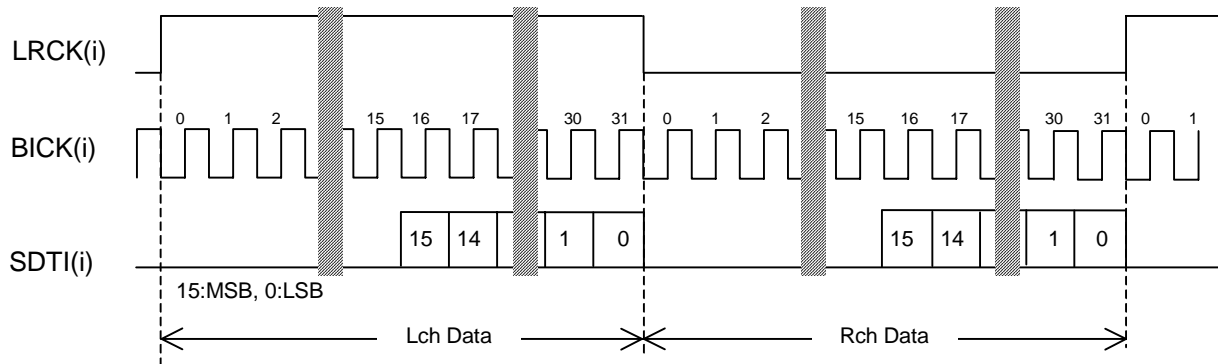


Figure 8. Mode 0 Timing

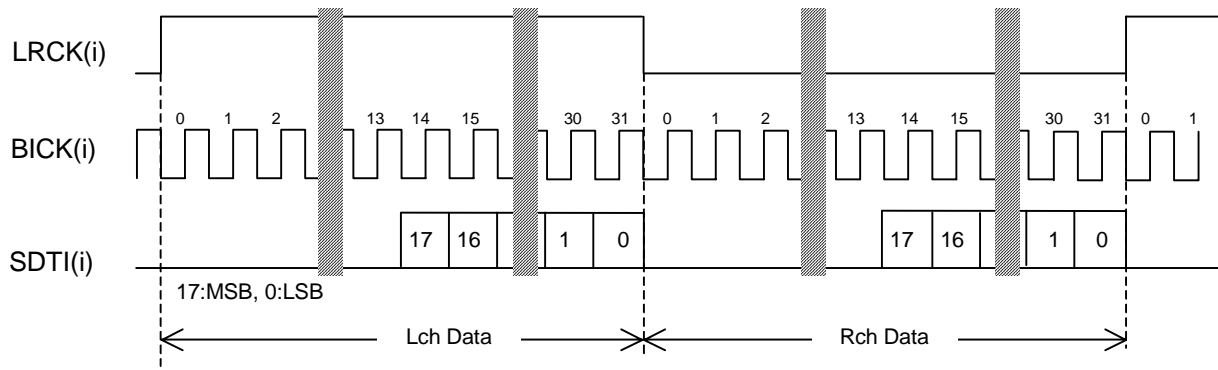


Figure 9. Mode 1 Timing

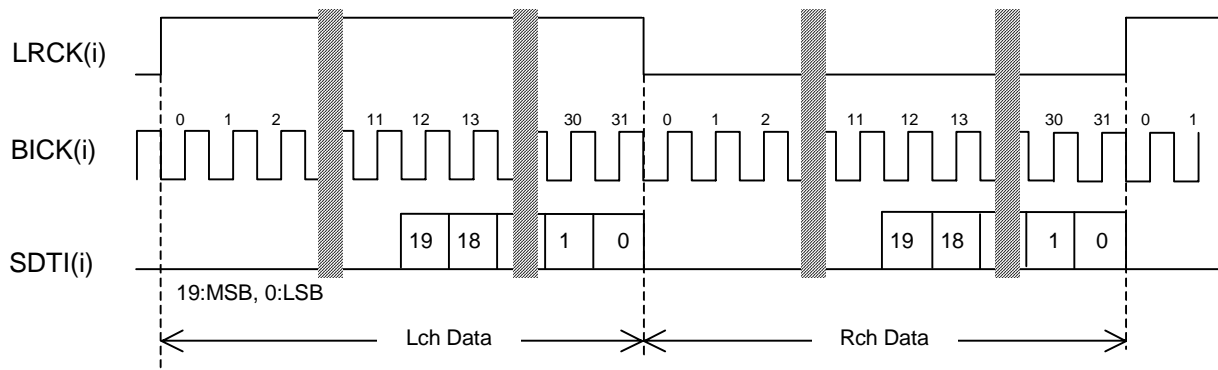


Figure 10. Mode 2 Timing

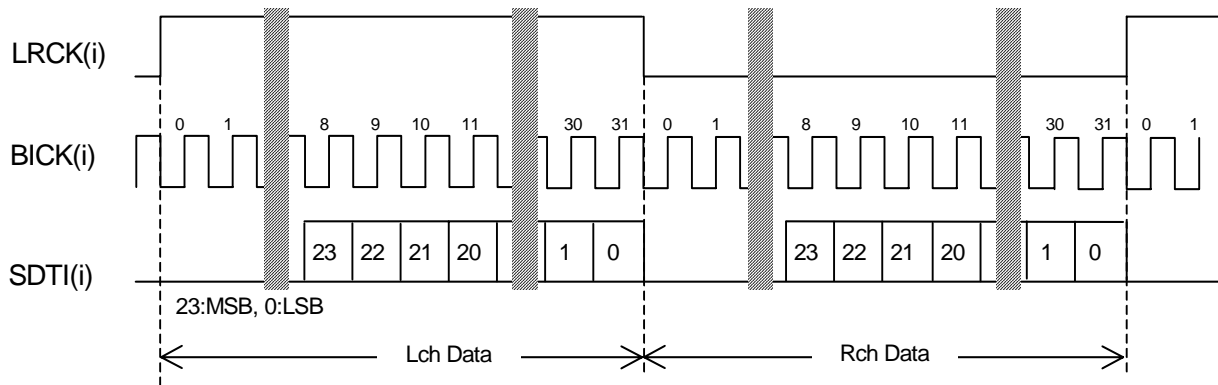


Figure 11. Mode 3 Timing

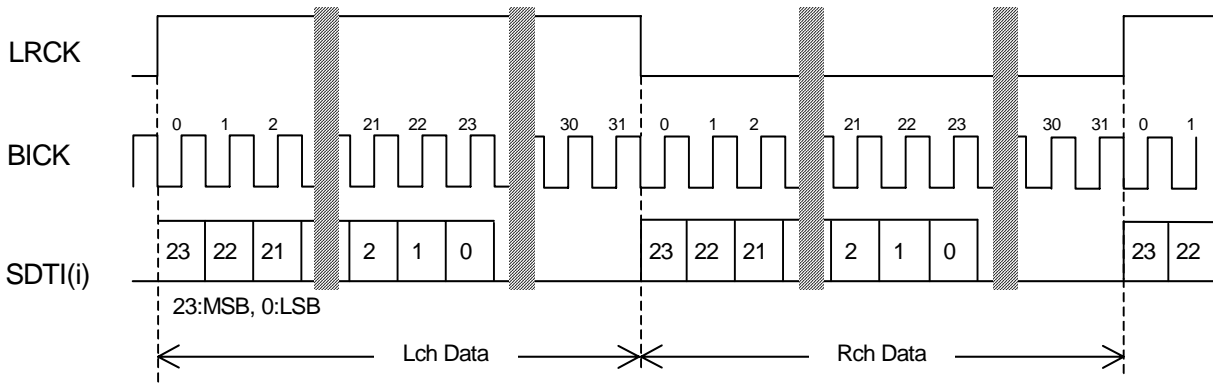


Figure 12. Mode 4/6 Timing
 Mode 4: LRCK, BICK: Input
 Mode 6: LRCK, BICK: Output

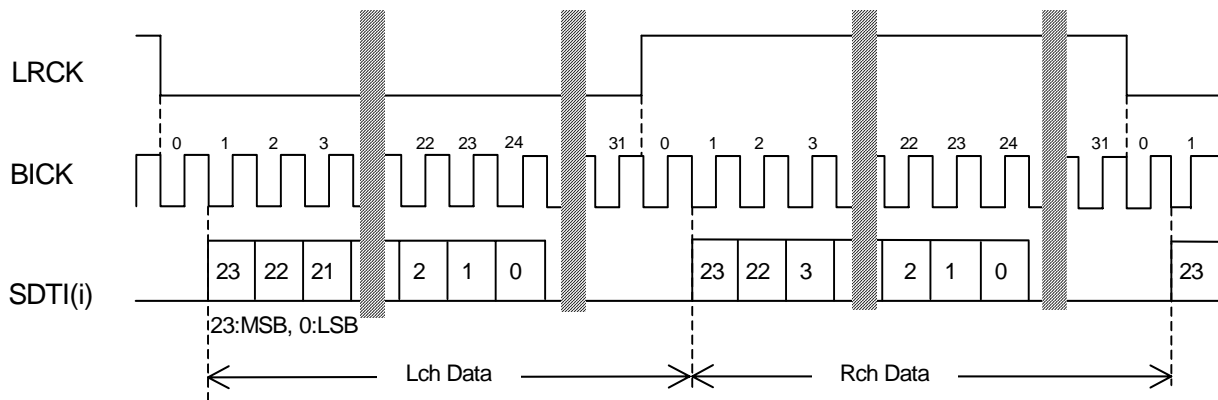


Figure 13. Mode 5/7 Timing
 Mode 5: LRCK, BICK: Input
 Mode 7: LRCK, BICK: Output

■ Sampling frequency setting

Bits 3-0 of Channel Status Byte 3 in consumer mode can be set by FS3-0 pins. Also bits 7-6 of Channel Status Byte 0 and bits 6-3 of Channel Status Byte 4 in professional mode can be set by FS3-0 pins.

FS[3:0]	Sampling Frequency	Byte 3 Bits 3-0
0000	44.1kHz	0000
0001	Not Indicated	0001
0010	48kHz	0010
0011	32kHz	0011
0100	22.05kHz	0100
0101	Reserved	0101
0110	24kHz	0110
0111	Reserved	0111
1000	88.2kHz	1000
1001	Reserved	1001
1010	96kHz	1010
1011	Reserved	1011
1100	176.4kHz	1100
1101	Reserved	1101
1110	192kHz	1110
1111	Reserved	1111

Table 4. Sampling frequency setting (Consumer mode)

FS[3:0]	Sampling Frequency	Byte 0 Bits 7-6	Byte 4 Bits 6-3
0000	Not Defined	00	0000
0001	44.1kHz	01	0000
0010	48kHz	10	0000
0011	32kHz	11	0000
0100	Not Defined	00	0000
0101	Not Defined	00	0000
0110	Not Defined	00	0000
0111	Not Defined	00	0000
1000	For vectoring	00	1000
1001	22.05kHz	00	1001
1010	88.2kHz	00	1010
1011	176.4kHz	00	1011
1100	192kHz	00	0011
1101	24kHz	00	0001
1110	96kHz	00	0010
1111	Not Defined	00	1111

Table 5. Sampling frequency setting (Professional mode)

■ Data Transmission Format

Data transmitted on the TX outputs is formatted in blocks as shown in Figure 14. Each block consists of 192 frames. A frame of data contains two sub-frames. A sub-frame consists of 32 bits of information. Each data bit received is coded using a bi-phase mark encoding as a two binary state symbol. The preambles violate bi-phase encoding so they may be differentiated from data. In bi-phase encoding, the first state of an input symbol is always the inverse of the last state of the previous data symbol. For a logic “0”, the second state of the symbol is the same as the first state. For a “1”, the second state is the opposite of the first. Figure 15 illustrates a sample stream of 8 data bits encoded in 16 symbol states.

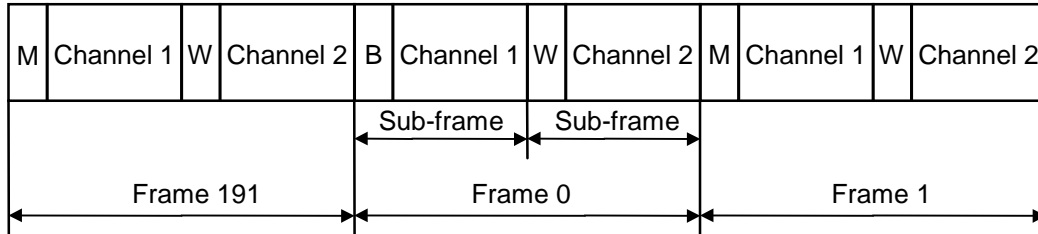


Figure 14. Block format

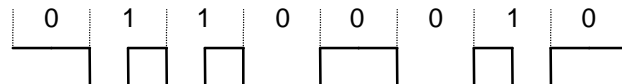


Figure 15. A biphas-encoded bit stream

The sub-frame is defined in Figure 16 below. Bits 0-3 of the sub-frame represent a preamble for synchronization. There are three preambles. The block preamble, B, is contained in the first sub-frame of Frame 0. The channel 1 preamble, M, is contained in the first sub-frame of all other frames. The channel 2 preamble, W, is contained in all of the second sub-frames.

Table 6 below defines the symbol encoding for each of the preambles. Bits 4-27 of the sub-frame contain the 24 bit audio sample in 2’s complement format with bit 27 as the most significant bit. For 16 bit mode, Bits 4-11 are all 0. Bit 28 is the validity flag. This is “H” if the audio sample is unreliable. Bit 29 is a user data bit. Frame 0 contains the first bit of a 192 bit user data word. Frame 191 contains the last bit of the user data word. Bit 30 is a channel status bit. Again frame 0 contains the first bit of the 192 bit word with the last bit in frame 191. Bit 31 is an even parity bit for bits 4-31 of the sub-frame.

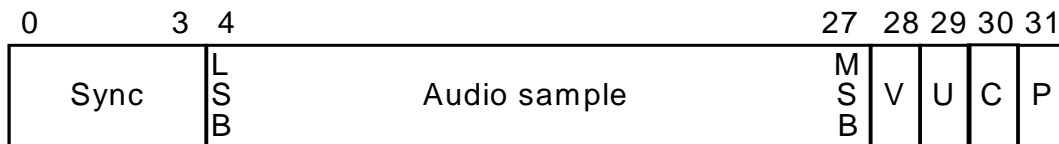


Figure 16. Sub-frame format

The block of data contains consecutive frames transmitted at a state-bit rate of 64 times the sample frequency, fs. For stereophonic audio, the left or A channel data is in channel 1 while the right or B data is in channel 2. For monophonic audio, channel 1 contains the audio data.

Preamble	Preceding state = 0	Preceding state = 1
B	11101000	00010111
M	11100010	00011101
W	11100100	00011011

Table 6. Sub-frame preamble encoding

■ Line Driver

There is an RS422 line driver on chip. The AES3 specification states that the line driver shall have a balanced output with an internal impedance of 110 ohms $\pm 20\%$ and also requires a balanced output drive capability of 2 to 7 volts peak-to-peak into 110 ohm load. The internal impedance of the RS422 driver along with a series resistor of 56 ohms realizes this requirement. For consumer use(S/PDIF), the specifications require an output impedance of 75 ohms $\pm 20\%$ and a driver level of $0.5 \pm 20\%$ volts peak to peak. A combination of 330 ohms in parallel with 100 ohms realizes this requirement. The outputs can be set to ground by resetting the device or a software mute.

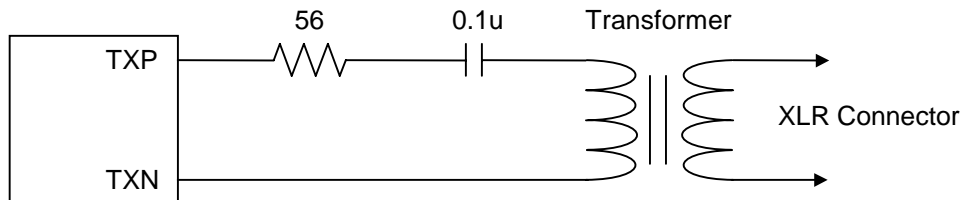


Figure 17. Professional Output Driver Circuit

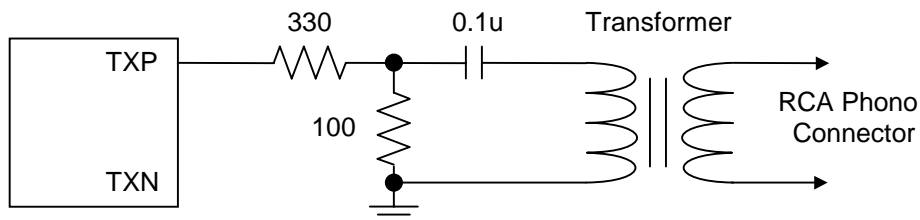
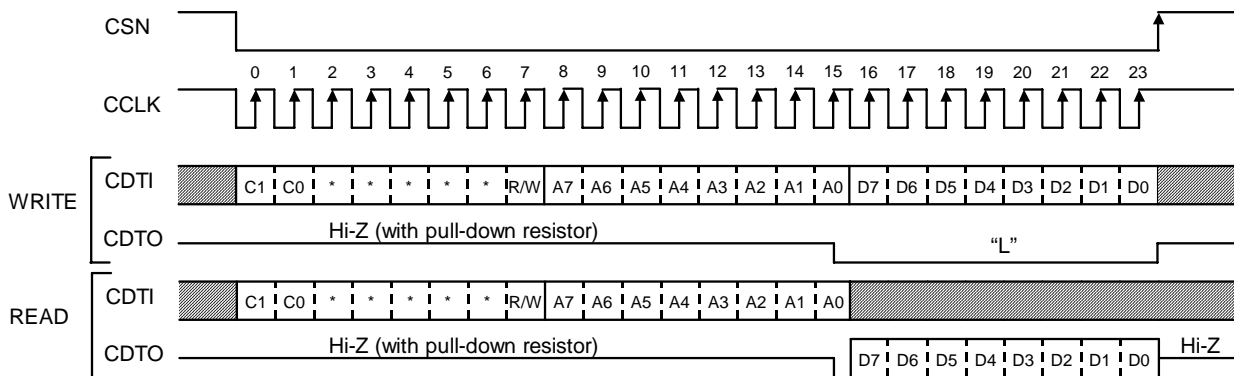


Figure 18. Consumer Output Driver Circuit

■ Serial Control Interface

In asynchronous mode, four of the dual function pins become CSN, CCLK, CDTI and CDTO, a 4 wire microprocessor interface. The internal 18 byte control register can then be read and written. The contents of the control register define, in part, the mode of operation for the AK4103A. Figure 19 illustrates the serial data flow associated with SCI read and write operations. C1-0 bits are the chip address. The AK4103A looks for C1-0 bits to be a “11” before responding to the incoming data. R/W is the Read/ Write bit which is “0” for a read operation and “1” for a write operation. The register address contained in A7-0 bits is decoded to select a particular byte of the control register. D7-0 bits on CDTI pin is the control data coming from the microprocessor during a write operation. D7-0 bits on CDTO pin is the contents of the addressed byte from the control register requested during a read operation. The address and data bits are framed by CSN pin = “0”. During a write operation, each address and data bit is sampled on the rising edge of CCLK. During a read operation, the address bits are sampled on the rising edge of CCLK while data on CDTO is output on the falling edge of CCLK. CCLK has a maximum frequency of 5 MHz.



C1-C0: Chip Address (Fixed to “11”)
 R/W: READ/WRITE (0:READ, 1:WRITE)
 *: Don't care
 A7-A0: Register Address
 D7-D0: Control Data

Figure 19. Control I/F Timing

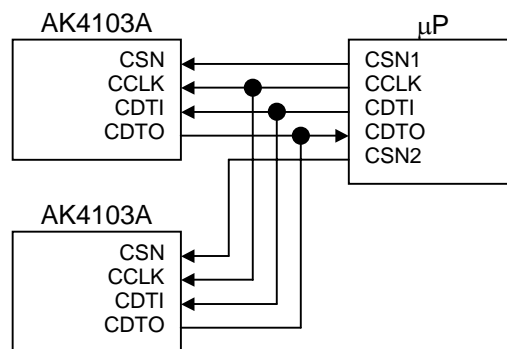


Figure 20. Typical connection with μP

Note: External pull-up resistor should not be attached to CDTO pins since CDTO pin is internally connected to the pull-down resistor.

■ Register Map

Addr	Register Name	D7	D6	D5	D4	D3	D2	D1	D0
00H	Clock/Format Control	CRCE	DIF2	DIF1	DIF0	CKS1	CKS0	MUTEN	RSTN
01H	Validity/fs Control	0	0	0	V1	FS3	FS2	FS1	FS0
02H	A-channel C-bit buffer for Byte 0	CA7	CA6	CA5	CA4	CA3	CA2	CA1	CA0
03H	A-channel C-bit buffer for Byte 1	CA15	CA14	CA13	CA12	CA11	CA10	CA9	CA8
04H	A-channel C-bit buffer for Byte 2	CA23	CA22	CA21	CA20	CA19	CA18	CA17	CA16
05H	A-channel C-bit buffer for Byte 3	CA31	CA30	CA29	CA28	CA27	CA26	CA25	CA24
06H-09H	B-channel C-bit buffer for Byte 0-3	CB7 ... CB31	CB0 ... CB24
0AH-0DH	A-channel U-bit buffer for Byte 0-3	UA7 ... UA31	UA0 ... UA24
0EH-11H	B-channel U-bit buffer for Byte 0-3	UB7 ... UB31	UB0 ... UB24

Table 7. Register Map

Notes:

- (1) In stereo mode, A indicates Left Channel and B indicates Right Channel.
- (2) In asynchronous mode, the DIF2-0 and CKS1-0 bits are logically “ORed” with the DIF2-0 and CKS1-0 pins.
- (3) For addresses from 12H to FFH, data is not written.
- (4) The PDN pin = “L” resets the registers to their default values.

■ Register Definitions

Addr	Register Name	D7	D6	D5	D4	D3	D2	D1	D0
00H	Clock/Format Control	CRCE	DIF2	DIF1	DIF0	CKS1	CKS0	MUTEN	RSTN
	R/W	R/W	R/W	R/W	R/W	R/W	R/W	R/W	R/W
	Default	1	0	0	0	0	0	1	1

RSTN: Timing Reset.

0: Resets the internal frame and bit counters. Control registers are not initialized.

TXP pin is “H” and TXN pin is “L”. In normal mode, BLS pin is “H”.

1: Normal operation. (Default)

MUTEN: Power Down and Mute for Asynchronous Mode.

0: Power Down Command. Control registers are not initialized.

TXP and TXN pins are “L”. In normal mode, BLS pin is “H”.

1: Normal operation. (Default)

CKS1-0: Master Clock Frequency Select. (Table 1)

Default: “00” (Mode 0: MCLK=128fs)

CKS1-0 bits are logically ORed with CKS1-0 pins.

DIF2-0: Audio Data Format. (Table 3)

Default: “000” (Mode 0: 16bit right justified)

DIF2-0 bits are logically ORed with DIF2-0 pins.

CRCE: CRCC Enable at professional mode.

0: CRCC is not generated.

1: CRCC is generated at professional mode. In consumer mode, CRCC is not generated. (Default)

Addr	Register Name	D7	D6	D5	D4	D3	D2	D1	D0
01H	Validity/fs Control	0	0	0	V1	FS3	FS2	FS1	FS0
	R/W	RD	RD	RD	R/W	R/W	R/W	R/W	R/W
	Default	0	0	0	0	0	0	0	0

FS3-0: Sampling Frequency Select. (Table 4 and Table 5)

Default: “0000” (“44.1kHz” in consumer mode; “Not defined” in professional mode.)

V1: Validity Flag.

0: Valid (Default)

1: Invalid

Addr	Register Name	D7	D6	D5	D4	D3	D2	D1	D0
02H	A-channel C-bit buffer for Byte 0	CA7	CA6	CA5	CA4	CA3	CA2	CA1	CA0
06H	B-channel C-bit buffer for Byte 0	CB7	CB6	CB5	CB4	CB3	CB2	CB1	CB0
R/W		R/W	R/W	R/W	R/W	R/W	R/W	R/W	R/W
Default		0	0	0	0	0	1	0	0

C0-7: Channel Status Byte 0
Default: "00100000"

Addr	Register Name	D7	D6	D5	D4	D3	D2	D1	D0
03H	A-channel C-bit buffer for Byte 1	CA15	CA14	CA13	CA12	CA11	CA10	CA9	CA8
07H	B-channel C-bit buffer for Byte 1	CB15	CB14	CB13	CB12	CB11	CB10	CB9	CB8
R/W		R/W	R/W	R/W	R/W	R/W	R/W	R/W	R/W
Default		0	0	0	0	0	0	0	0

C8-15: Channel Status Byte 1
Default: "00000000"

Addr	Register Name	D7	D6	D5	D4	D3	D2	D1	D0
04H	A-channel C-bit buffer for Byte 2	CA23	CA22	CA21	CA20	CA19	CA18	CA17	CA16
R/W		R/W	R/W	R/W	R/W	R/W	R/W	R/W	R/W
Default		0	0	0	1	0	0	0	0

CA16-23: Channel Status Byte 2 for A-channel
Default: "00001000"

Addr	Register Name	D7	D6	D5	D4	D3	D2	D1	D0
08H	B-channel C-bit buffer for Byte 2	CB23	CB22	CB21	CB20	CB19	CB18	CB17	CB16
R/W		R/W	R/W	R/W	R/W	R/W	R/W	R/W	R/W
Default		0	0	1	0	0	0	0	0

CB16-23: Channel Status Byte 2 for B-channel
Default: "00000100"

Addr	Register Name	D7	D6	D5	D4	D3	D2	D1	D0
05H	A-channel C-bit buffer for Byte 3	CA31	CA30	CA29	CA28	CA27	CA26	CA25	CA24
09H	B-channel C-bit buffer for Byte 3	CB31	CB30	CB29	CB28	CB27	CB26	CB25	CB24
R/W		R/W	R/W	R/W	R/W	R/W	R/W	R/W	R/W
Default		0	0	0	0	0	0	1	0

C24-31: Channel Status Byte 3
Default: "01000000"

Addr	Register Name	D7	D6	D5	D4	D3	D2	D1	D0
0AH-0DH	A-channel U-bit buffer for Byte 0-3	UA7 ... UA31	UA0 ... UA24
0EH-11H	B-channel U-bit buffer for Byte 0-3	UB7 ... UB31	UB0 ... UB24
	R/W	R/W	R/W	R/W	R/W	R/W	R/W	R/W	R/W
	Default	0	0	0	0	0	0	0	0

U0-31: User Data
Default: all "0"

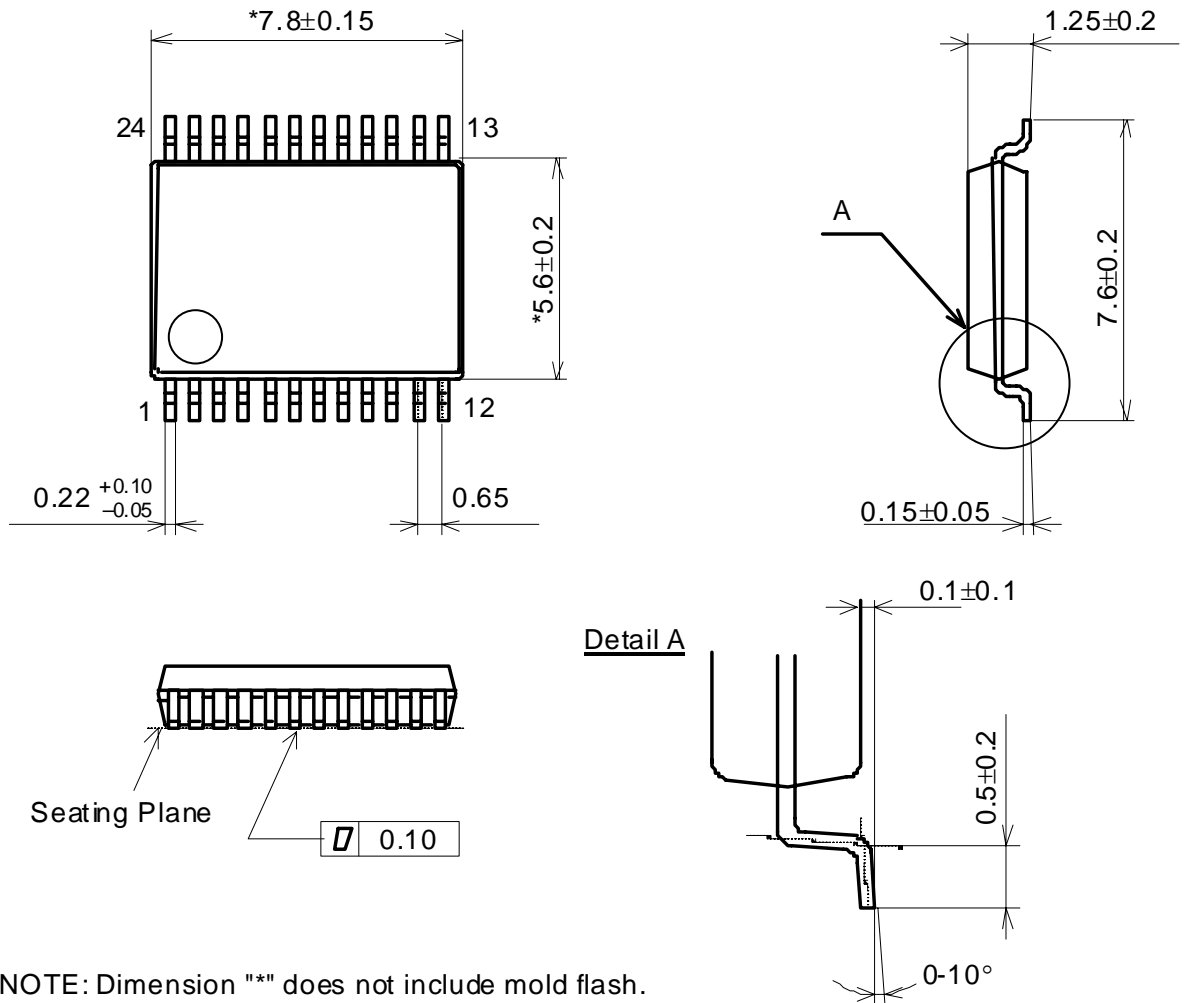
■ Default values of control registers

Bits	Default	
CRCE	1	CRCC is generated.
DIF2-0	000	16bit, Right justified
CKS1-0	00	MCLK=128fs
V1	0	Valid data
FS3-0	0000	fs=44.1kHz
MUTEN	1	Normal Operation
RSTN	1	Normal Operation
Channel Status		
Byte0	- Bit0	0 Consumer Mode
	- Bit1	0 Audio Mode
	- Bit2	1 No Copyright
	- Bit3-5	000 No Emphasis
	- Bit6-7	00 Mode 0
Byte1	- Bit0-7	00000000 General Category Code
Byte2	- Bit0-3	0000 Source Number: Don't care
	- Bit4-7	1000 Channel A Source channel 0100 Channel B Source channel
Byte3	- Bit0-3	0100 fs=48kHz
	- Bit4-5	00 Standard Clock Accuracy
	- Bit6-7	00
User Data	All zeros	

Table 8. Default Values of Control Register

PACKAGE

24pin VSOP (Unit: mm)

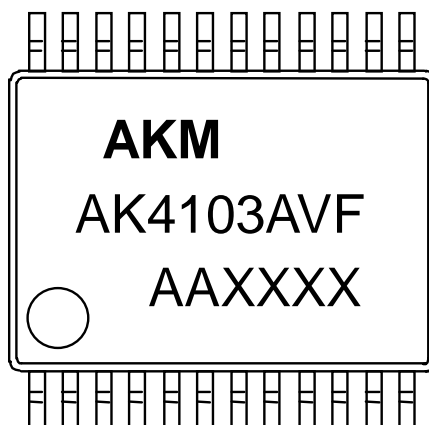


NOTE: Dimension "*" does not include mold flash.

■ Package & Lead frame material

- Package molding compound: Epoxy
- Lead frame material: Cu
- Lead frame surface treatment: Solder plate (Pb free)

MARKING



Contents of AAXXXX
 AA: Lot#
 XXXX: Date Code

REVISION HISTORY

Date (YY/MM/DD)	Revision	Reason	Page	Contents
03/07/28	00	First Edition		
09/01/09	01	Specification Change	25	PACKAGE The pin width dimension was changed.

IMPORTANT NOTICE

- These products and their specifications are subject to change without notice.
When you consider any use or application of these products, please make inquiries the sales office of Asahi Kasei EMD Corporation (AKEMD) or authorized distributors as to current status of the products.
- AKEMD assumes no liability for infringement of any patent, intellectual property, or other rights in the application or use of any information contained herein.
- Any export of these products, or devices or systems containing them, may require an export license or other official approval under the law and regulations of the country of export pertaining to customs and tariffs, currency exchange, or strategic materials.
- AKEMD products are neither intended nor authorized for use as critical components_{Note1)} in any safety, life support, or other hazard related device or system_{Note2)}, and AKEMD assumes no responsibility for such use, except for the use approved with the express written consent by Representative Director of AKEMD. As used here:
 - Note1) A critical component is one whose failure to function or perform may reasonably be expected to result, whether directly or indirectly, in the loss of the safety or effectiveness of the device or system containing it, and which must therefore meet very high standards of performance and reliability.
 - Note2) A hazard related device or system is one designed or intended for life support or maintenance of safety or for applications in medicine, aerospace, nuclear energy, or other fields, in which its failure to function or perform may reasonably be expected to result in loss of life or in significant injury or damage to person or property.
- It is the responsibility of the buyer or distributor of AKEMD products, who distributes, disposes of, or otherwise places the product with a third party, to notify such third party in advance of the above content and conditions, and the buyer or distributor agrees to assume any and all responsibility and liability for and hold AKEMD harmless from any and all claims arising from the use of said product in the absence of such notification.

Looking for pricing, stock, or lifecycle information?

Click below to explore more details on WIN SOURCE:

- ⊖ [View AK4103AVF-E2 on WIN SOURCE](#)
- ⊖ [AKM Semiconductor Inc. Information](#)

Optimize Your Supply Chain with WIN SOURCE Solutions

- ✓ Global Sourcing Solution
- ✓ Obsolete Management
- ✓ Cost Control Management
- ✓ Shortage Management
- ✓ Alternative Solution
- ✓ Excess Inventory Management