



**THE DATASHEET OF  
ST322ECDR**





# ST3222EB ST3222EC

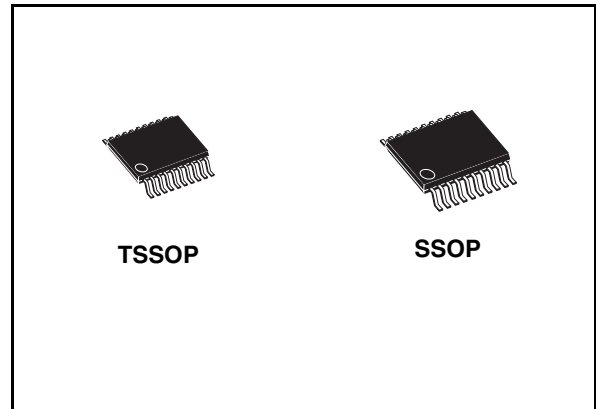
± 15 kV ESD protected, 3 to 5.5 V  
low power, up to 250 Kbps, RS-232 drivers and receivers

## Features

- ESD protection for RS-232 I/O pins ± 15 kV human body model, ± 8 kV IEC 1000-4-2 contact discharge
- 300 µA supply current
- 250Kbps minimum guarantee data rate
- 6 V/µs minimum guarantee slew rate
- Meet EIA/TIA-232 specification down to 3 V
- Available in SSOP20 and TSSOP20

## Description

The ST3222E is a 3 V powered EIA/TIA-232 and V.28/V.24 communications interface with low power requirements, high data-rate capabilities and enhanced electrostatic discharge (ESD) protection to ± 8 kV using IEC1000-4-2 Contact Discharge and ±15 kV using the Human Body Model. ST3222E has a proprietary low dropout transmitter output stage providing true RS-232 performance from 3 to 5 V supplies with a dual charge pump. The charge pump requires only four small 0.1 mF external capacitors for operation from 3 V supply. The device has two receivers and two drivers. The ST3222E features a 1 mA shutdown mode that reduces power consumption and extends battery life in portable systems. Its receivers can remain active in shutdown mode, allowing external devices such as modems to be monitored using only 1 mA supply current. The device is guaranteed to run at data rates of 250 Kbps while maintaining RS-232 output levels.



Typical applications are Notebook, Sub-notebook and Palmtop Computers, Battery Powered Equipment, Hand-Held Equipment, Peripherals and Printers.

**Table 1. Device summary**

Order codes	Temperature range	Package	Packaging
ST3222ECPR	0 to 70 °C	SSOP20 (tape and reel)	1350 parts per reel
ST3222EBPR	-40 to 85 °C	SSOP20 (tape and reel)	1350 parts per reel
ST3222ECTR	0 to 70 °C	TSSOP20 (tape and reel)	2500 parts per reel
ST3222EBTR	-40 to 85 °C	TSSOP20 (tape and reel)	2500 parts per reel

# Contents

1	Pin configuration .....	3
2	Absolute maximum ratings .....	4
3	Electrical characteristics .....	5
4	Application circuits .....	7
5	Typical performance characteristics .....	8
6	Package mechanical data .....	9
7	Revision history .....	14

# 1 Pin configuration

Figure 1. Pin connection

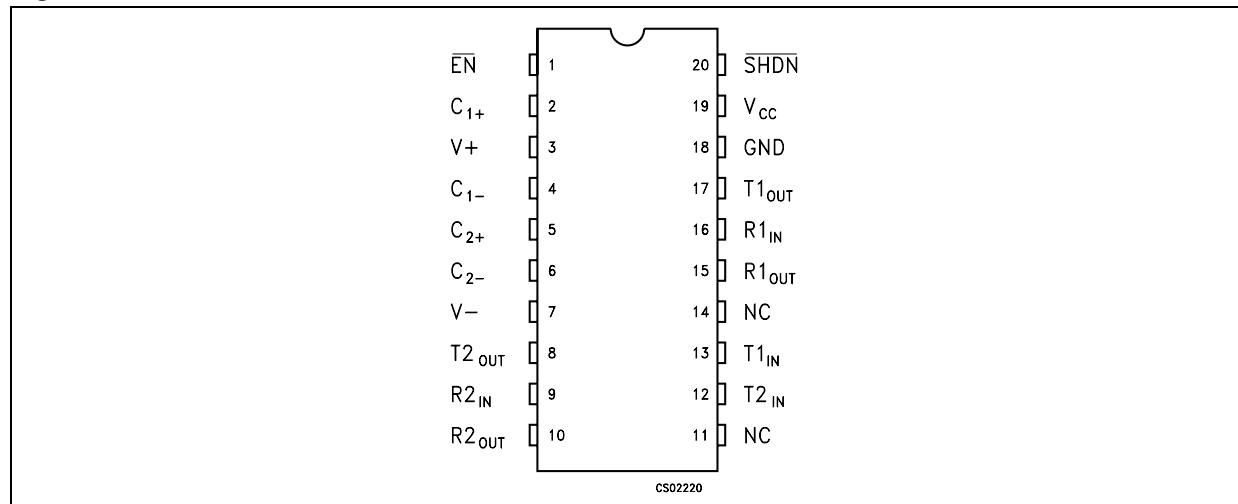


Table 2. Pin description

Pin n°	Symbol	Name and function
1	EN	Receiver enable control. drive low for normal operation. Drive high to force the receivers outputs (R_OUT) into a high-impedance state.
2	C <sub>1+</sub>	Positive terminal for the first charge pump capacitor
3	V+	5.5V Generated by the charge pump.
4	C <sub>1-</sub>	Negative terminal for the first charge pump capacitor
5	C <sub>2+</sub>	Positive terminal for the second charge pump capacitor
6	C <sub>2-</sub>	Negative terminal for the second charge pump capacitor
7	V-	-5.5V Generated by the charge pump.
8	T <sub>2</sub> OUT	Second transmitter output voltage
9	R <sub>2</sub> IN	Second receiver input voltage
10	R <sub>2</sub> OUT	Second receiver output voltage
11	NC	Not connected
12	T <sub>2</sub> IN	Second transmitter input voltage
13	T <sub>1</sub> IN	First transmitter input voltage
14	NC	Not connected
15	R <sub>1</sub> OUT	First receiver output voltage
16	R <sub>1</sub> IN	First receiver input voltage
17	T <sub>1</sub> OUT	First transmitter output voltage
18	GND	Ground
19	V <sub>CC</sub>	Supply voltage
20	SHDN	Active low shutdown control input. drive low to shut-down transmitter and charge pump

## 2 Absolute maximum ratings

**Table 3. Absolute maximum ratings**

Symbol	Parameter	Value	Unit
$V_{CC}$	Supply voltage	-0.3 to 6	V
V+	Doubled voltage terminal	$(V_{CC} - 0.3)$ to 7	V
V-	Inverted voltage terminal	0.3 to -7	V
$V+ +  V- $		13	V
$T_{IN}$	Transmitter input voltage range	-0.3 to 6	V
$R_{IN}$	Receiver input voltage range	$\pm 25$	V
$T_{OUT}$	Transmitter output voltage range	$\pm 13.2$	V
$R_{OUT}$	Receiver output voltage range	-0.3 to $(V_{CC} + 0.3)$	V
$t_{SHORT}$	Transmitter output short to gnd time	Continuous	

*Note:* Absolute maximum ratings are those values beyond which damage to the device may occur. Functional operation under these condition is not implied.

*Externally applied V+ and V- can have a maximum magnitude of +7 V, but their absolute addition can not exceed 13 V.*

*Running on internal charge pump, intrinsic self limitation allows exceeding those values without any damage.*

*Startup voltage sequence ( $V_{CC}$ , then V+, then V-) is critical, therefore it is not recommended to use this device using externally applied voltage to V+ and V-.*

**Table 4. Shutdown and enable control truth table**

SHDN	EN	T-OUT	R-OUT
0	0	High Z	Active
0	1	High Z	High Z
1	0	Active	Active
1	1	Active	High Z

**Table 5. ESD performance: transmitter outputs, receiver inputs**

Symbol	Parameter	Test conditions	Min.	Typ.	Max.	Unit
ESD	ESD protection voltage	Human body model	$\pm 15$			kV
ESD	ESD protection voltage	IEC-1000-4-2	$\pm 8$			kV

### 3 Electrical characteristics

**Table 6. Electrical characteristics** ( $C_1 - C_4 = 0.1 \mu\text{F}$ ,  $V_{CC} = 3 \text{ V to } 5.5 \text{ V}$ ,  $T_A = -40 \text{ to } 85 \text{ }^\circ\text{C}$ , unless otherwise specified. Typical values are referred to  $T_A = 25 \text{ }^\circ\text{C}$ )

Symbol	Parameter	Test conditions	Min.	Typ.	Max.	Unit
$I_{\text{SUPPLY}}$	$V_{CC}$ power supply current	No load, $\overline{\text{SHDN}} = V_{CC}$ , $T_A = 25^\circ\text{C}$		0.3	1	mA
$I_{\text{SHDN}}$	Shutdown supply current	No load, $\overline{\text{SHDN}} = V_{CC}$ , $T_A = 25^\circ\text{C}$		1	10	$\mu\text{A}$

**Table 7. Logic input electrical characteristics** ( $C_1 - C_4 = 0.1 \mu\text{F}$ ,  $V_{CC} = 3 \text{ V to } 5.5 \text{ V}$ ,  $T_A = -40 \text{ to } 85 \text{ }^\circ\text{C}$ , unless otherwise specified. Typical values are referred to  $T_A = 25 \text{ }^\circ\text{C}$ )

Symbol	Parameter	Test conditions	Min.	Typ.	Max.	Unit
$V_{\text{IL}}$	Input logic threshold low	T-IN, $\overline{\text{EN}}$ , $\overline{\text{SHDN}}$ (Note: 1)			0.8	V
$V_{\text{IH}}$	Input logic threshold high	$V_{CC} = 3.3 \text{ V}$	2			V
		$V_{CC} = 5 \text{ V}$	2.4			
$V_{\text{HYS}}$	Transmitter input hysteresis			0.25		V
$I_{\text{IL}}$	Input leakage current	T-IN, $\overline{\text{EN}}$ , $\overline{\text{SHDN}}$		$\pm 0.01$	$\pm 1$	$\mu\text{A}$

Note: 1 Transmitter input hysteresis is typically 250 mV

**Table 8. Transmitter electrical characteristics** ( $C_1 - C_4 = 0.1 \mu\text{F}$ ,  $V_{CC} = 3 \text{ V to } 5.5 \text{ V}$ ,  $T_A = -40 \text{ to } 85 \text{ }^\circ\text{C}$ , unless otherwise specified. Typical values are referred to  $T_A = 25 \text{ }^\circ\text{C}$ )

Symbol	Parameter	Test conditions	Min.	Typ.	Max.	Unit
$V_{\text{TOUT}}$	Output voltage swing	All transmitter outputs are loaded with $3 \text{ K}\Omega$ to GND	$\pm 5$	$\pm 5.4$		V
$R_{\text{TOUT}}$	Transmitter output resistance	$V_{CC} = V_+ = V_- = 0 \text{ V}$ , $V_{\text{OUT}} = \pm 2 \text{ V}$	300	10M		$\Omega$
$I_{\text{TSC}}$	Output short circuit current			$\pm 60$		mA
$I_{\text{TOL}}$	Output leakage current	$V_{CC} = 0 \text{ or } 3 \text{ V to } 3.6 \text{ V}$ , $V_{\text{OUT}} = \pm 12 \text{ V}$ Transmitters disable			$\pm 25$	$\mu\text{A}$

**Table 9. Receiver electrical characteristics** ( $C_1 - C_4 = 0.1 \mu\text{F}$ ,  $V_{CC} = 3 \text{ V to } 5.5 \text{ V}$ ,  $T_A = -40 \text{ to } 85 \text{ }^\circ\text{C}$ , unless otherwise specified. Typical values are referred to  $T_A = 25 \text{ }^\circ\text{C}$ )

Symbol	Parameter	Test conditions	Min.	Typ.	Max.	Unit
$I_{OL}$	Output leakage current	R-OUT, $\overline{EN} = V_{CC}$ , receiver disabled		$\pm 0.05$	$\pm 10$	$\mu\text{A}$
$V_{RIN}$	Receiver input voltage operating range		-25		25	V
$V_{RIL}$	Input threshold low	$T_A = 25^\circ\text{C}$ , $V_{CC} = 3.3 \text{ V}$	0.6	1.2		V
		$T_A = 25^\circ\text{C}$ , $V_{CC} = 5 \text{ V}$	0.8	1.5		
$V_{RIH}$	Input threshold high	$T_A = 25^\circ\text{C}$ , $V_{CC} = 3.3 \text{ V}$		1.5	2.4	V
		$T_A = 25^\circ\text{C}$ , $V_{CC} = 5 \text{ V}$		1.8	2.4	
$V_{RIHYS}$	Input hysteresis			0.5		V
$R_{RIN}$	Input resistance	$T_A = 25^\circ\text{C}$	3	5	7	$\text{K}\Omega$
$V_{ROL}$	Output voltage low	$I_{OUT} = 1.6 \text{ mA}$			0.4	V
$V_{ROH}$	Output voltage high	$I_{OUT} = -1 \text{ mA}$	$V_{CC}-0.6$	$V_{CC}-0.1$		V

**Table 10. Timing characteristics** ( $C_1 - C_4 = 0.1 \mu\text{F}$ ,  $V_{CC} = 3 \text{ V to } 5.5 \text{ V}$ ,  $T_A = -40 \text{ to } 85 \text{ }^\circ\text{C}$ , unless otherwise specified. Typical values are referred to  $T_A = 25 \text{ }^\circ\text{C}$ )

Symbol	Parameter	Test conditions	Min.	Typ.	Max.	Unit
$D_R$	Data transfer rate	$R_L = 3 \text{ K}\Omega$ , $C_{L2} = 1000 \text{ pF}$ one transmitter switching	250			Kbps
$t_{PHLR}$ $t_{PLHR}$	Propagation delay input to output	$R_{XIN}$ to $R_{XOUT}$ , $C_L = 150 \text{ pF}$		0.15		$\mu\text{s}$
$ t_{PHLT} - t_{THL} $	Transmitter propagation delay difference <sup>(1)</sup>			200		ns
$t_{OER}$	Receiver output enable time	Normal operation		50		ns
$t_{ODR}$	Receiver output disable time	Normal operation		50		ns
$ t_{PHLR} - t_{THR} $	Receiver propagation delay difference			50		ns
$S_{RT}$	Transition slew rate	$T_A = 25^\circ\text{C}$ $R_L = 3 \text{ K}\Omega$ to $7 \text{ K}\Omega$ $V_{CC} = 3.3 \text{ V}$ measured from +3V to -3V or -3V to +3V $C_L = 150 \text{ pF}$ to $1000 \text{ pF}$	6		30	$\text{V}/\mu\text{s}$
		$T_A = 25^\circ\text{C}$ $R_L = 3 \text{ K}\Omega$ to $7 \text{ K}\Omega$ $V_{CC} = 3.3 \text{ V}$ measured from +3V to -3V or -3V to +3V $C_L = 150 \text{ pF}$ to $2500 \text{ pF}$	4		30	$\text{V}/\mu\text{s}$

1. Transmitter Skew is measured at the transmitter zero cross points

## 4 Application circuits

Figure 2. Application schematic

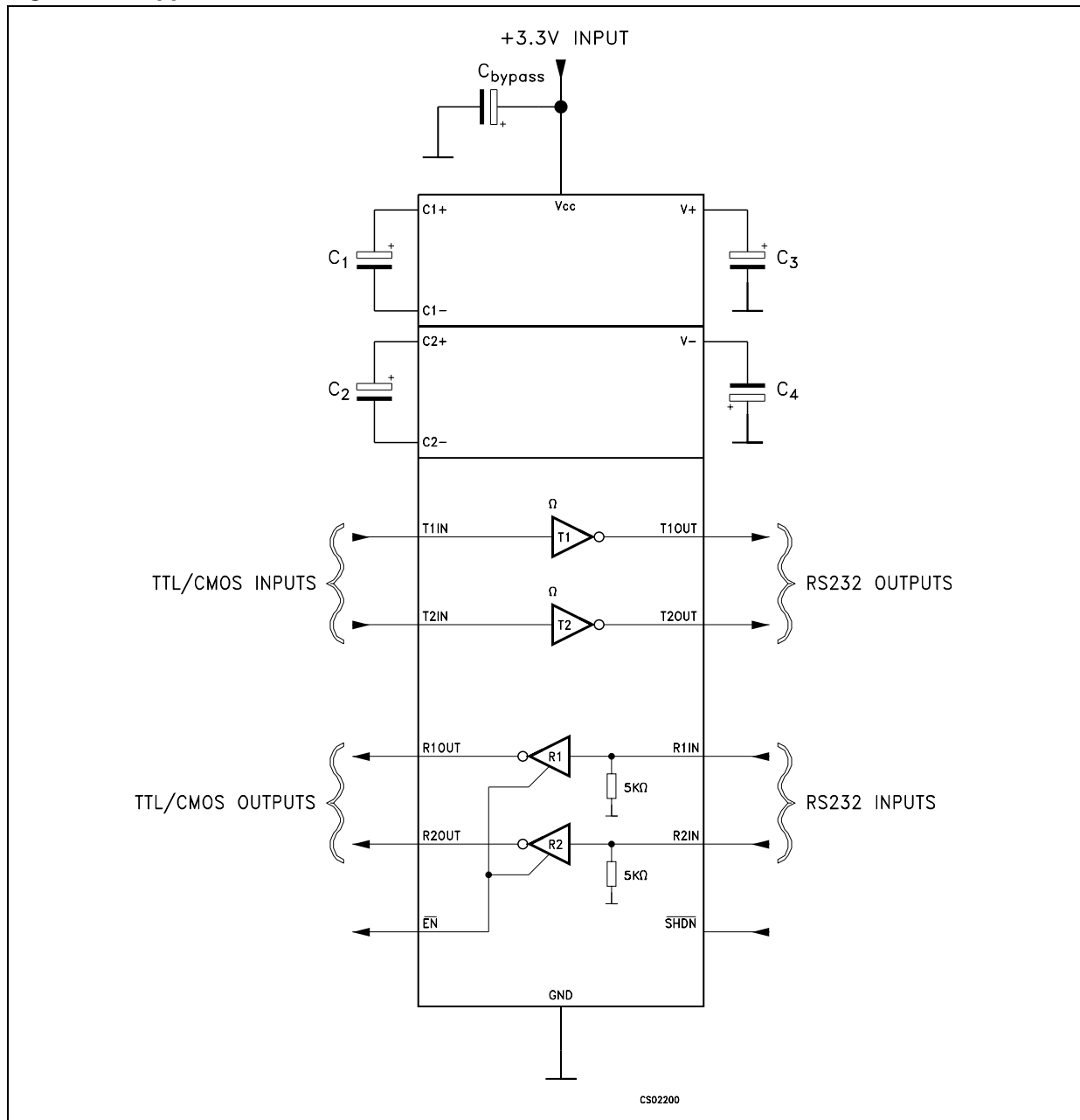


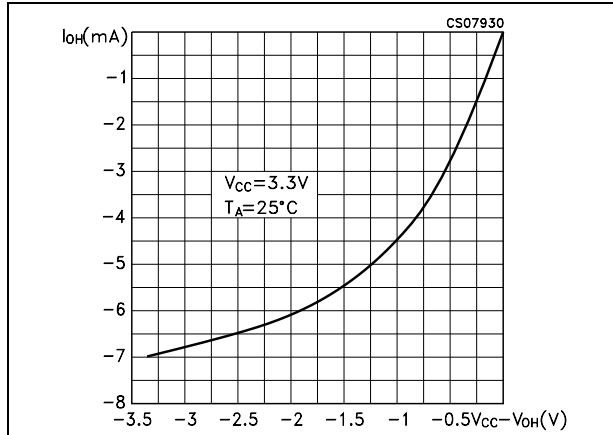
Table 11. Capacitance value ( $\mu\text{F}$ )

$V_{CC}$	C1	C2	C3	C4	$C_{bypass}$
3.0 to 3.6	0.1	0.1	0.1	0.1	0.1
4.5 to 5.5	0.047	0.33	0.33	0.33	0.33
3.0 to 5.5	0.22	0.1	0.1	0.1	0.22

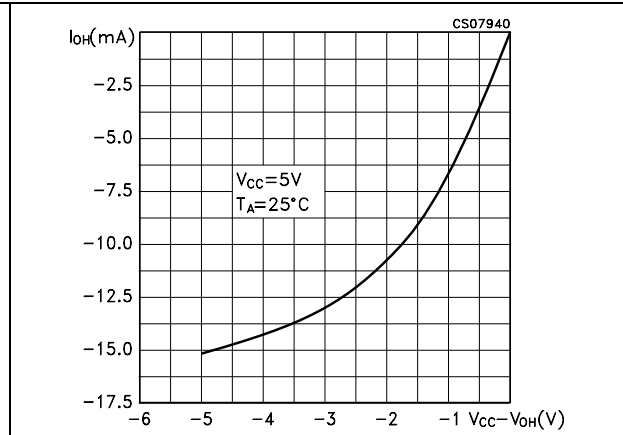
# 5 Typical performance characteristics

(unless otherwise specified  $T_J = 25\text{ }^\circ\text{C}$ )

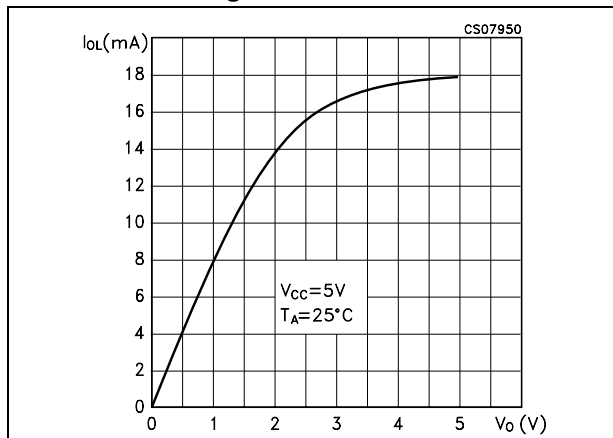
**Figure 3. Output current vs output high voltage**



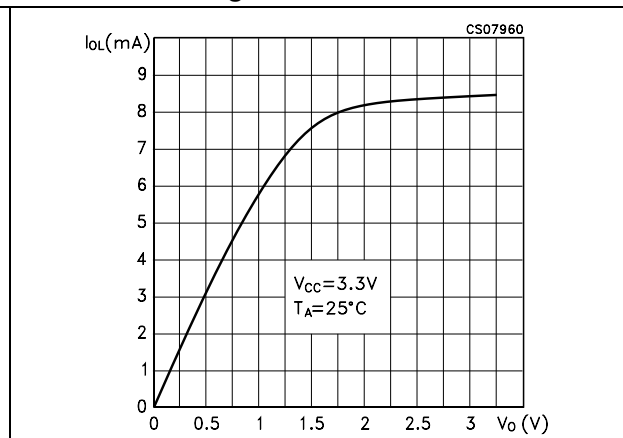
**Figure 4. Output current vs output high voltage**



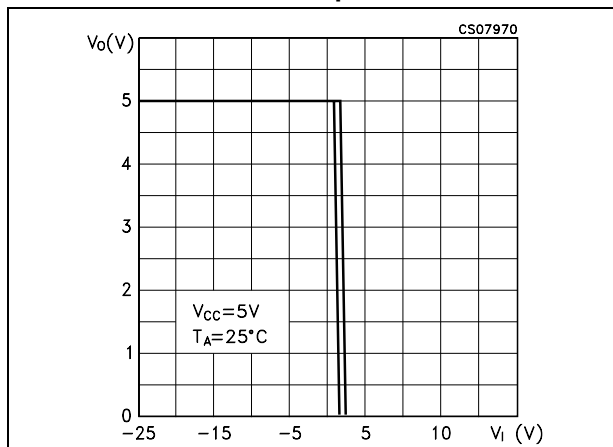
**Figure 5. Output current vs output low voltage**



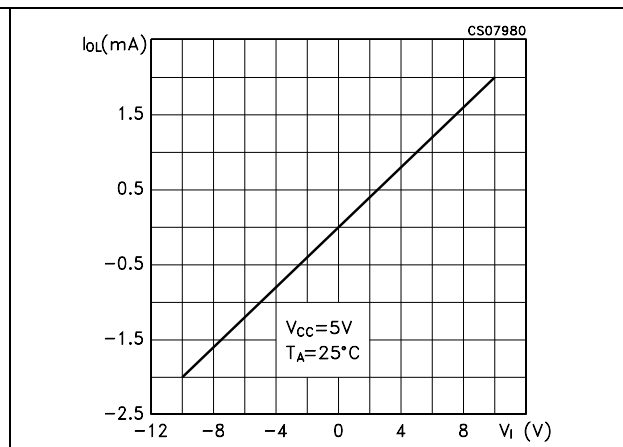
**Figure 6. Output current vs output low voltage**



**Figure 7. Voltage transfer characteristics for transmitter inputs**



**Figure 8. Receiver input resistance**

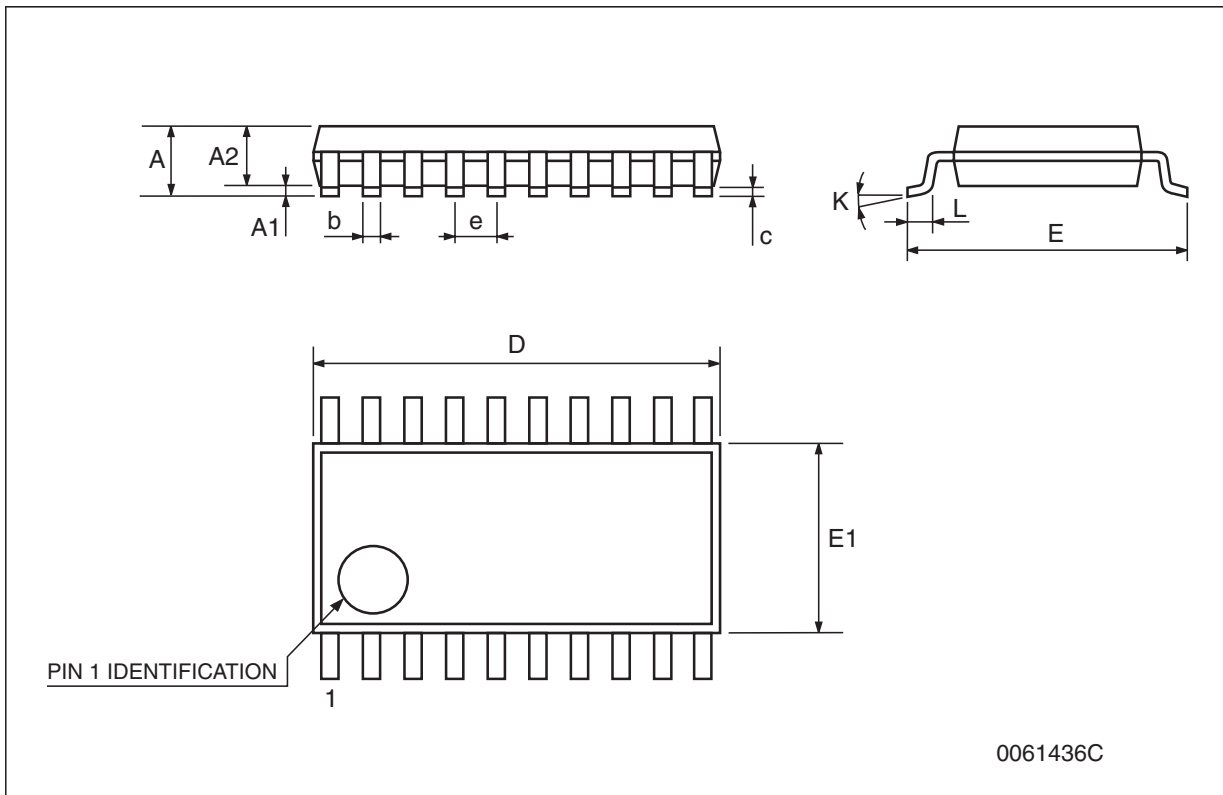


## 6 Package mechanical data

In order to meet environmental requirements, ST offers these devices in ECOPACK® packages. These packages have a lead-free second level interconnect. The category of second level interconnect is marked on the package and on the inner box label, in compliance with JEDEC Standard JESD97. The maximum ratings related to soldering conditions are also marked on the inner box label. ECOPACK is an ST trademark. ECOPACK specifications are available at: [www.st.com](http://www.st.com)

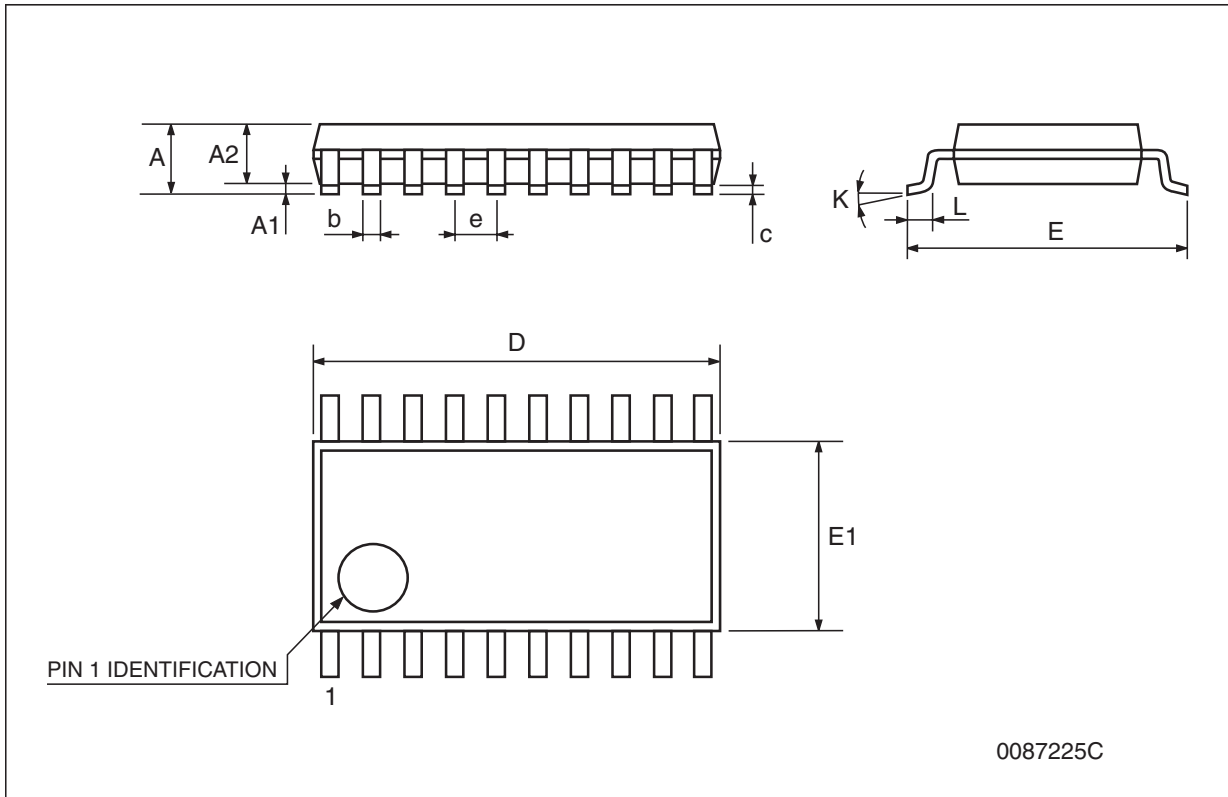
**SSOP20 mechanical data**

Dim.	mm.			inch.		
	Min.	Typ.	Max.	Min.	Typ.	Max.
A			2			0.079
A1	0.05			0.002		
A2	1.65	1.75	1.85	0.065	0.069	0.073
b	0.22		0.38	0.009		0.015
c	0.09		0.25	0.004		0.010
D	6.9	7.2	7.5	0.272	0.283	0.295
E	7.4	7.8	8.2	0.291	0.307	0.323
E1	5	5.3	5.6	0.197	0.209	0.220
e		0.65 BSC			0.0256 BSC	
K	0°	4°	8°	0°	4°	8°
L	0.55	0.75	0.95	0.022	0.030	0.037



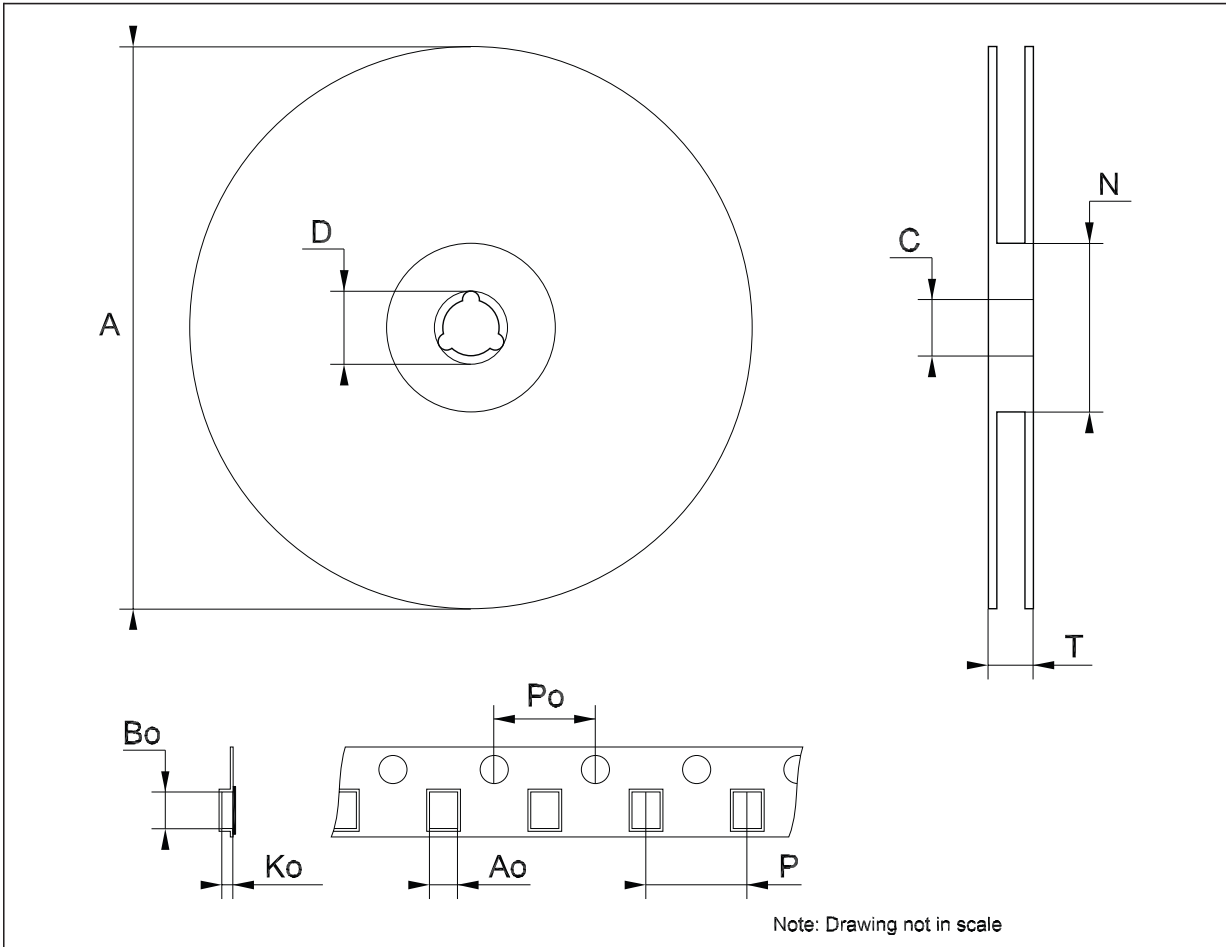
**TSSOP20 mechanical data**

Dim.	mm.			inch.		
	Min.	Typ.	Max.	Min.	Typ.	Max.
A			1.2			0.047
A1	0.05		0.15	0.002	0.004	0.006
A2	0.8	1	1.05	0.031	0.039	0.041
b	0.19		0.30	0.007		0.012
c	0.09		0.20	0.004		0.0079
D	6.4	6.5	6.6	0.252	0.256	0.260
E	6.2	6.4	6.6	0.244	0.252	0.260
E1	4.3	4.4	4.48	0.169	0.173	0.176
e		0.65 BSC			0.0256 BSC	
K	0°		8°	0°		8°
L	0.45	0.60	0.75	0.018	0.024	0.030



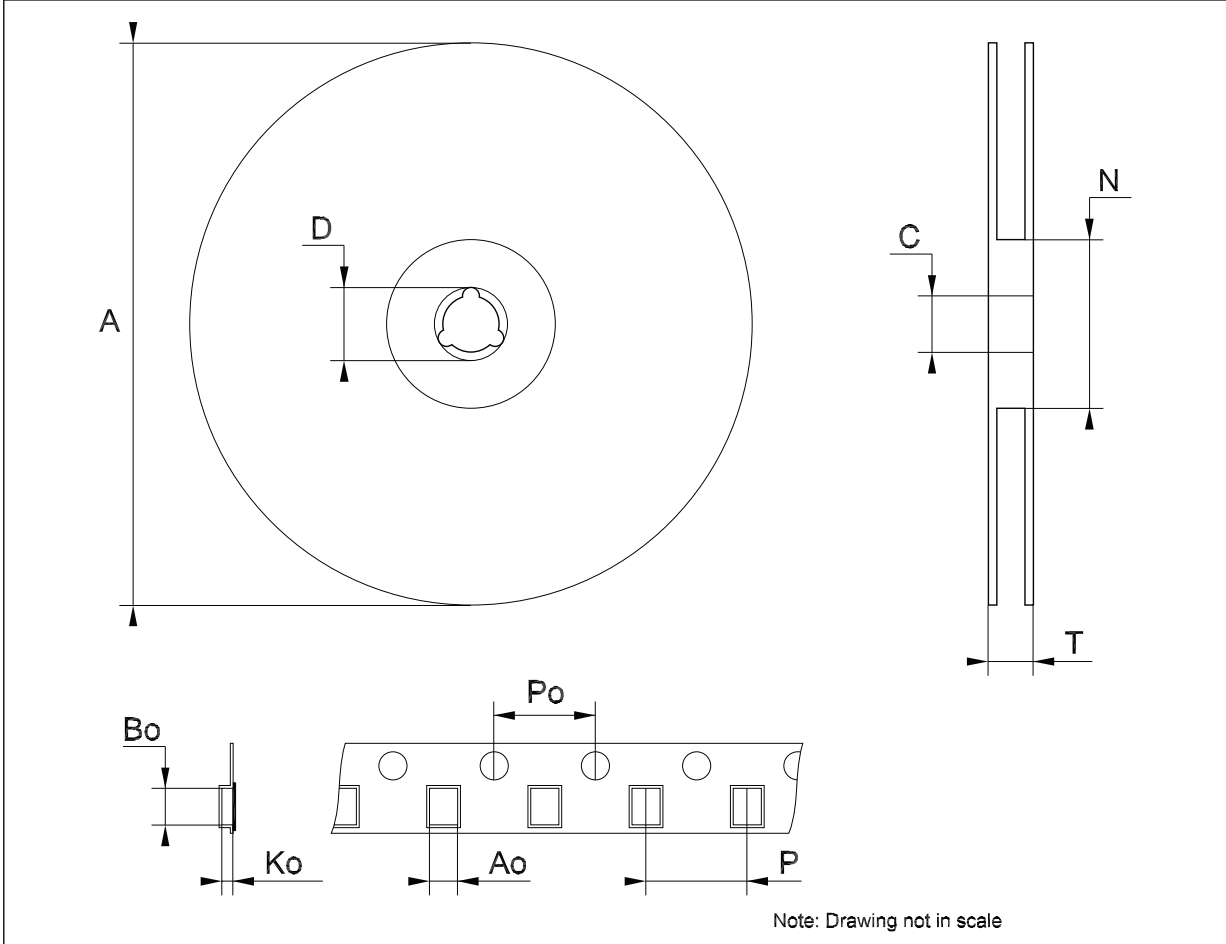
**Tape & reel SSOP20 mechanical data**

Dim.	mm.			inch.		
	Min.	Typ.	Max.	Min.	Typ.	Max.
A			330			12.992
C	12.8		13.2	0.504		0.519
D	20.2			0.795		
N	60			2.362		
T			22.4			0.882
Ao	8.4		8.6	0.331		0.339
Bo	7.7		7.9	0.303		0.311
Ko	2.9		3.1	0.114		0.122
Po	3.9		4.1	0.153		0.161
P	11.9		12.1	0.468		0.476



**Tape & reel TSSOP20 mechanical data**

Dim.	mm.			inch.		
	Min.	Typ.	Max.	Min.	Typ.	Max.
A			330			12.992
C	12.8		13.2	0.504		0.519
D	20.2			0.795		
N	60			2.362		
T			22.4			0.882
Ao	6.8		7	0.268		0.276
Bo	6.9		7.1	0.272		0.280
Ko	1.7		1.9	0.067		0.075
Po	3.9		4.1	0.153		0.161
P	11.9		12.1	0.468		0.476



## 7 Revision history

Table 12. Document revision history

Date	Revision	Changes
22-Mar-2006	6	Order codes updated.
23-Aug-2007	7	Added <a href="#">Table 1</a> in cover page.
21-Jan-2008	8	Added note on <a href="#">Table 3</a> .

**Please Read Carefully:**

Information in this document is provided solely in connection with ST products. STMicroelectronics NV and its subsidiaries ("ST") reserve the right to make changes, corrections, modifications or improvements, to this document, and the products and services described herein at any time, without notice.

All ST products are sold pursuant to ST's terms and conditions of sale.

Purchasers are solely responsible for the choice, selection and use of the ST products and services described herein, and ST assumes no liability whatsoever relating to the choice, selection or use of the ST products and services described herein.

No license, express or implied, by estoppel or otherwise, to any intellectual property rights is granted under this document. If any part of this document refers to any third party products or services it shall not be deemed a license grant by ST for the use of such third party products or services, or any intellectual property contained therein or considered as a warranty covering the use in any manner whatsoever of such third party products or services or any intellectual property contained therein.

**UNLESS OTHERWISE SET FORTH IN ST'S TERMS AND CONDITIONS OF SALE ST DISCLAIMS ANY EXPRESS OR IMPLIED WARRANTY WITH RESPECT TO THE USE AND/OR SALE OF ST PRODUCTS INCLUDING WITHOUT LIMITATION IMPLIED WARRANTIES OF MERCHANTABILITY, FITNESS FOR A PARTICULAR PURPOSE (AND THEIR EQUIVALENTS UNDER THE LAWS OF ANY JURISDICTION), OR INFRINGEMENT OF ANY PATENT, COPYRIGHT OR OTHER INTELLECTUAL PROPERTY RIGHT.**

**UNLESS EXPRESSLY APPROVED IN WRITING BY AN AUTHORIZED ST REPRESENTATIVE, ST PRODUCTS ARE NOT RECOMMENDED, AUTHORIZED OR WARRANTED FOR USE IN MILITARY, AIR CRAFT, SPACE, LIFE SAVING, OR LIFE SUSTAINING APPLICATIONS, NOR IN PRODUCTS OR SYSTEMS WHERE FAILURE OR MALFUNCTION MAY RESULT IN PERSONAL INJURY, DEATH, OR SEVERE PROPERTY OR ENVIRONMENTAL DAMAGE. ST PRODUCTS WHICH ARE NOT SPECIFIED AS "AUTOMOTIVE GRADE" MAY ONLY BE USED IN AUTOMOTIVE APPLICATIONS AT USER'S OWN RISK.**

Resale of ST products with provisions different from the statements and/or technical features set forth in this document shall immediately void any warranty granted by ST for the ST product or service described herein and shall not create or extend in any manner whatsoever, any liability of ST.

ST and the ST logo are trademarks or registered trademarks of ST in various countries.

Information in this document supersedes and replaces all information previously supplied.

The ST logo is a registered trademark of STMicroelectronics. All other names are the property of their respective owners.

© 2008 STMicroelectronics - All rights reserved

STMicroelectronics group of companies

Australia - Belgium - Brazil - Canada - China - Czech Republic - Finland - France - Germany - Hong Kong - India - Israel - Italy - Japan - Malaysia - Malta - Morocco - Singapore - Spain - Sweden - Switzerland - United Kingdom - United States of America

[www.st.com](http://www.st.com)



## Looking for pricing, stock, or lifecycle information?

Click below to explore more details on WIN SOURCE:

-  [View ST3222ECDR on WIN SOURCE](#)
-  [STMicroelectronics Information](#)

## Optimize Your Supply Chain with WIN SOURCE Solutions

-  Global Sourcing Solution
-  Obsolete Management
-  Cost Control Management
-  Shortage Management
-  Alternative Solution
-  Excess Inventory Management