



**THE DATASHEET OF
NCP1201D100R2G**



ON Semiconductor

Is Now

onsemi™

To learn more about onsemi™, please visit our website at
www.onsemi.com

onsemi and **onsemi** and other names, marks, and brands are registered and/or common law trademarks of Semiconductor Components Industries, LLC dba "**onsemi**" or its affiliates and/or subsidiaries in the United States and/or other countries. **onsemi** owns the rights to a number of patents, trademarks, copyrights, trade secrets, and other intellectual property. A listing of **onsemi** product/patent coverage may be accessed at www.onsemi.com/site/pdf/Patent-Marking.pdf. **onsemi** reserves the right to make changes at any time to any products or information herein, without notice. The information herein is provided "as-is" and **onsemi** makes no warranty, representation or guarantee regarding the accuracy of the information, product features, availability, functionality, or suitability of its products for any particular purpose, nor does **onsemi** assume any liability arising out of the application or use of any product or circuit, and specifically disclaims any and all liability, including without limitation special, consequential or incidental damages. Buyer is responsible for its products and applications using **onsemi** products, including compliance with all laws, regulations and safety requirements or standards, regardless of any support or applications information provided by **onsemi**. "Typical" parameters which may be provided in **onsemi** data sheets and/or specifications can and do vary in different applications and actual performance may vary over time. All operating parameters, including "Typicals" must be validated for each customer application by customer's technical experts. **onsemi** does not convey any license under any of its intellectual property rights nor the rights of others. **onsemi** products are not designed, intended, or authorized for use as a critical component in life support systems or any FDA Class 3 medical devices or medical devices with a same or similar classification in a foreign jurisdiction or any devices intended for implantation in the human body. Should Buyer purchase or use **onsemi** products for any such unintended or unauthorized application, Buyer shall indemnify and hold **onsemi** and its officers, employees, subsidiaries, affiliates, and distributors harmless against all claims, costs, damages, and expenses, and reasonable attorney fees arising out of, directly or indirectly, any claim of personal injury or death associated with such unintended or unauthorized use, even if such claim alleges that **onsemi** was negligent regarding the design or manufacture of the part. **onsemi** is an Equal Opportunity/Affirmative Action Employer. This literature is subject to all applicable copyright laws and is not for resale in any manner. Other names and brands may be claimed as the property of others.

NCP1201

PWM Current-Mode Controller for Universal Off-Line Supplies Featuring Low Standby Power with Fault Protection Modes

Housed in SOIC-8 or PDIP-8 package, the NCP1201 enhances the previous NCP1200 series by offering a reduced optocoupler current with additional Brownout Detection Protection (BOK). Similarly, the circuit allows the implementation of complete off-line AC-DC adapters, battery chargers or Switchmode Power Supplies (SMPS) where standby power is a key parameter.

The NCP1201 features efficient protection circuitry. When in the presence of a fault (e.g. failed optocoupler, overcurrent condition, etc.) the control permanently disables the output pulses to avoid subsequent damage to the system. The IC only restarts when the user cycles the mains power supply.

With the low power internal structure, operating at a fixed 60 or 100 kHz, the controller supplies itself from the high-voltage rail, avoiding the need of an auxiliary winding. This feature naturally eases the designer's task in battery charger applications. Finally, current-mode control provides an excellent audio-susceptibility and inherent pulse-by-pulse control.

When the load current falls down to a pre-defined setpoint (V_{SKIP}) value, e.g. the output power demand diminishes, the IC automatically enters the skip cycle mode and can provide excellent efficiency under light load conditions. The skip mode is designed to operate at relatively lower peak current so that acoustic noise that commonly takes place will not happen with NCP1201.

Features

- AC Line Brownout Detect Protection, BOK Function
- Latchoff Mode Fault Protection
- No Auxiliary Winding Operation
- Internal Output Short-Circuit Protection
- Extremely Low No-Load Standby Power
- Current-Mode with Skip-Cycle Capability
- Internal Overtemperature Shutdown
- Internal Leading Edge Blanking
- 250 mA Gate Peak Current Driving Capability
- Internally Fixed Switching Frequency at 60 or 100 kHz
- Built-in Frequency Jittering for EMI Reduction
- Direct Optocoupler Connection
- These Devices are Pb-Free, Halogen Free/BFR Free and are RoHS Compliant

Typical Applications

- AC-DC Adapters
- Offline Battery Chargers
- Auxiliary Power Supplies (USB, Appliances, TVs, etc.)



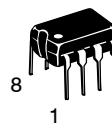
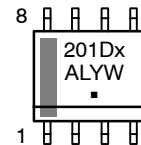
ON Semiconductor®

<http://onsemi.com>

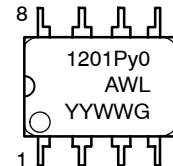
MARKING DIAGRAMS



SOIC-8
D SUFFIX
CASE 751

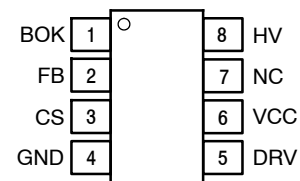


PDIP-8
P SUFFIX
CASE 626



- x = Device Code: 6 for 60 kHz
1 for 100 kHz
- y = Device Code: 6 for 60 kHz
10 for 100 kHz
- A = Assembly Location
- L = Wafer Lot
- Y, YY = Year
- W, WW = Work Week
- or G = Pb-Free Package

PIN CONNECTIONS

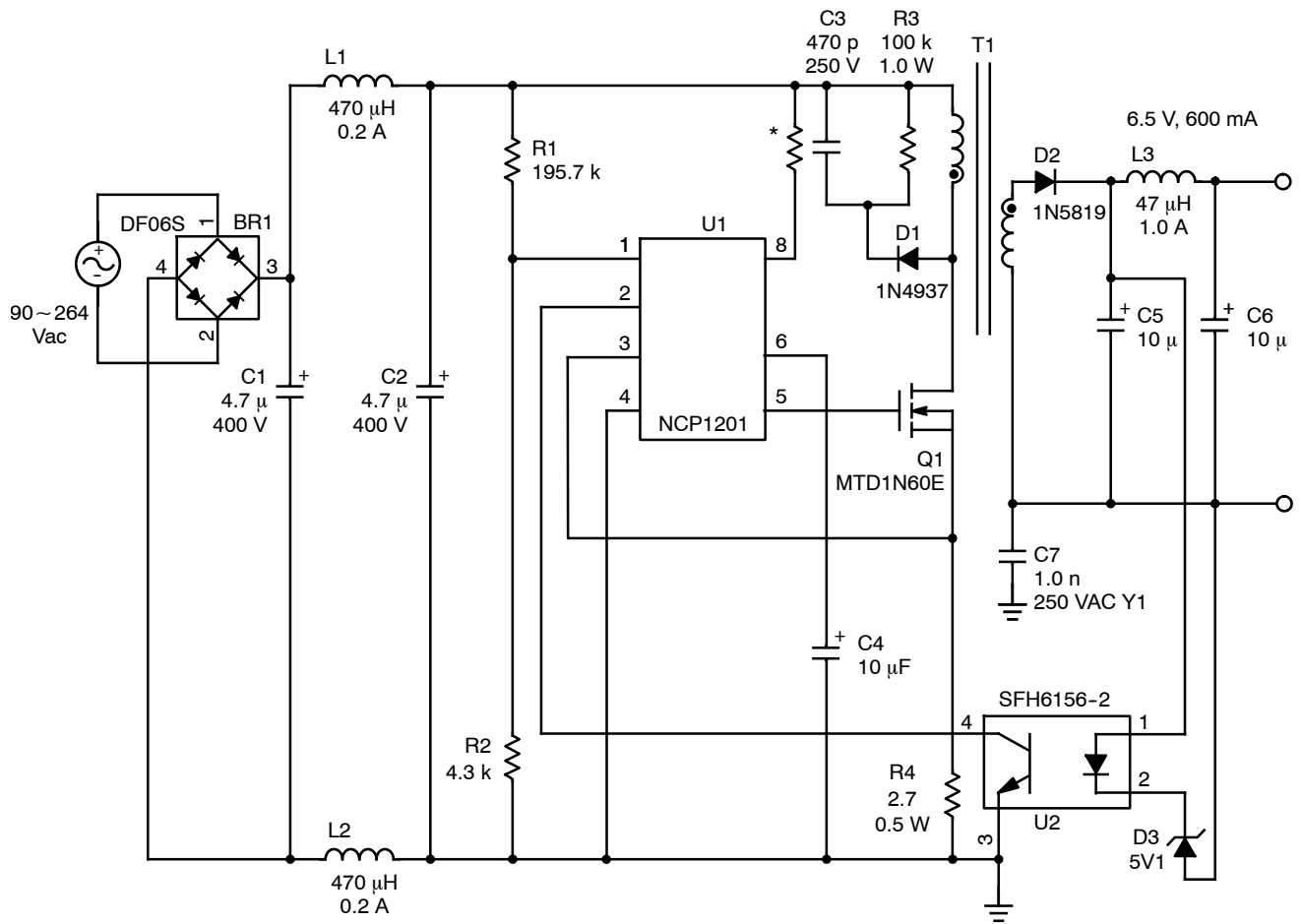


(Top View)

ORDERING INFORMATION

See detailed ordering and shipping information in the package dimensions section on page 17 of this data sheet.

NCP1201



* Please refer to the application information section.

Figure 1. Typical Application Example

NCP1201

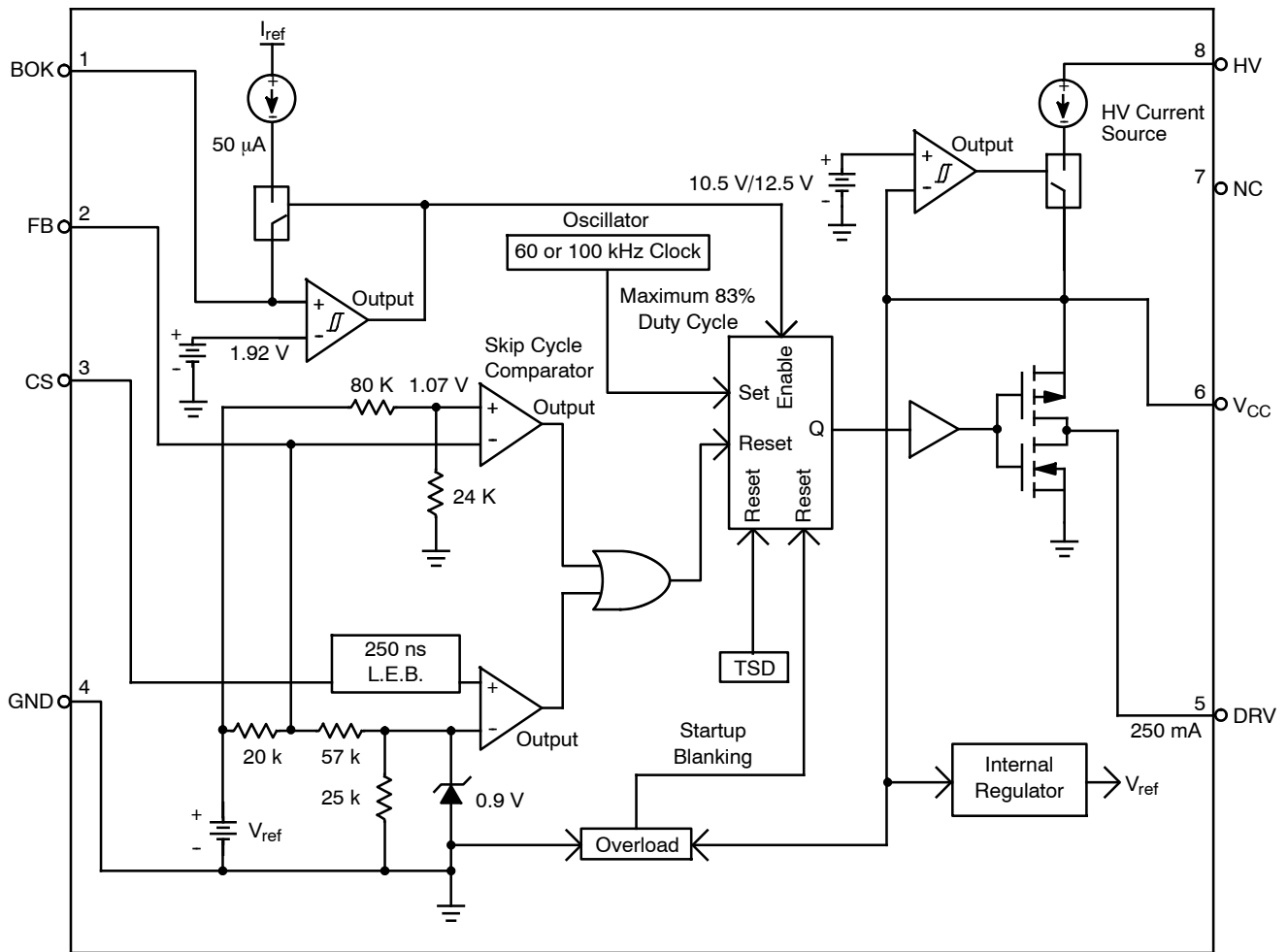


Figure 2. Simplified Functional Block Diagram

NCP1201

PIN FUNCTION DESCRIPTION

Pin No.	Pin Name	Function	Description
1	BOK	Bulk OK	This pin detects the input line voltage by sensing the bulk capacitor, and disables the PWM when line voltage is lower than normal.
2	FB	Sets the Peak Current Setpoint	By connecting an optocoupler to this pin, the peak current setpoint is adjusted according to the output power demand. Internal monitoring of this pin level triggers the fault management circuitry.
3	CS	Current Sense Input	This pin senses the primary inductor current and routes it to the internal comparator via an LEB circuit.
4	GND	The IC Ground	-
5	DRV	Driving Pulses	The driver's output to an external MOSFET.
6	VCC	Supplies the IC	This pin is connected to an external bulk capacitor of typically 10 μ F.
7	NC	No Connection	This unconnected pin ensures adequate creepage distance between High Voltage pin to other pins.
8	HV	Generates the V_{CC} from the Line	Connected to the high-voltage rail, this pin injects a constant current into the V_{CC} capacitor.

MAXIMUM RATINGS ($T_J = 25^\circ\text{C}$ unless otherwise noted)

Rating	Symbol	Value	Unit
Power Supply Voltage, Pin 6	V_{CC}	-0.3, 16	V
Input/Output Pins Pins 1, 2, 3, 5	V_{IO}	-0.3, 6.5	V
Maximum Voltage on Pin 8 (HV)	V_{HV}	500	V
Thermal Resistance, Junction-to-Air, PDIP-8 Version	$R_{\theta JA}$	100	$^\circ\text{C/W}$
Thermal Resistance, Junction-to-Air, SOIC Version	$R_{\theta JA}$	178	$^\circ\text{C/W}$
Operating Junction Temperature Range	T_J	-40 to +150	$^\circ\text{C}$
Operating Ambient Temperature Range	T_A	-25 to +125	$^\circ\text{C}$
Storage Temperature Range	T_{stg}	-55 to +150	$^\circ\text{C}$
ESD Capability, HBM (All pins except V_{CC} and HV pins) (Note 1)	-	2.0	kV
ESD Capability, Machine Model (All pins except V_{CC} and HV pins) (Note 1)	-	200	V

Stresses exceeding Maximum Ratings may damage the device. Maximum Ratings are stress ratings only. Functional operation above the Recommended Operating Conditions is not implied. Extended exposure to stresses above the Recommended Operating Conditions may affect device reliability.

- This device series contains ESD protection and exceeds the following tests:
Human Body Model (HBM) > 2.0 kV per JEDEC standard: JESD22-A114.
Machine Model (MM) > 200 V per JEDEC standard: JESD22-A115.
- Latchup Current Maximum Rating: ± 150 mA per JEDEC standard: JESD78.

NCP1201

ELECTRICAL CHARACTERISTICS (For typical values $T_J = 25^\circ\text{C}$, for min/max values $T_J = -25^\circ\text{C}$ to $+125^\circ\text{C}$, $V_{CC} = 11\text{ V}$ unless otherwise noted)

Characteristic	Symbol	Min	Typ	Max	Unit
----------------	--------	-----	-----	-----	------

DYNAMIC SELF-SUPPLY

V_{CC} Increasing Level at which the Current Source Turns-Off	V_{CCOFF}	11.5	12.5	13.5	V
V_{CC} Decreasing Level at which the Current Source Turns-On	V_{CCON}	9.6	10.5	11.3	V
Internal IC Current Consumption, No Output Load on Pin 5	I_{CC1}	440	905	1300	μA
Internal IC Current Consumption, 1.0 nF Output Load on Pin 5 NCP1201P60, NCP1201D60 NCP1201P100, NCP1201D100	I_{CC2}	0.75 1.6	1.6 2.1	2.2 2.8	mA
Internal IC Current Consumption, Latchoff Phase	I_{CC3}	405	575	772	μA

INTERNAL STARTUP CURRENT SOURCE

High-Voltage Current Source at $V_{CCON} - 0.2\text{ V}$	I_{C1}	3.6	5.3	7.1	mA
High-Voltage Current Source at $V_{CC} = 0\text{ V}$	I_{C2}	7.5	11.1	15	mA
HV Pin Leakage Current @ 450 V, V_{CC} Pin Connected to Ground	I_{LEAK}	-	30	70	μA

OUTPUT SECTION

Output Voltage Rise-Time ($CL = 1.0\text{ nF}$, 10 V Output)	T_r	-	116	-	ns
Output Voltage Fall-Time ($CL = 1.0\text{ nF}$, 10 V Output)	T_f	-	41	-	ns
Source Resistance ($V_{DRV} =$)	R_{OH}	26	38	60	Ω
Sink Resistance ($V_{DRV} =$)	R_{OL}	4.0	10	22	Ω

CURRENT SENSE SECTION (Pin 5 Unloaded)

Input Bias Current @ 1.0 V Input Level on Pin 3	I_{IB-CS}	-	10	100	nA
Maximum Current Sense Input Threshold	V_{LIMIT}	0.8	0.9	1.0	V
Default Current Sense Threshold for Skip Cycle Operation	V_{ILSKIP}	250	325	390	mV
Propagation Delay from Current Detection to Gate OFF State	T_{DEL}	35	65	160	ns
Leading Edge Blanking Duration	T_{LEB}	150	260	400	ns

OSCILLATOR SECTION ($V_{CC} = 11\text{ V}$, Pin 5 Loaded by 1.0 k Ω)

Oscillation Frequency NCP1201P60, NCP1201D60 NCP1201P100, NCP1201D100	F_{OSC}	52 92	60 100	72 117	kHz
Built-in Frequency Jittering (as a function of Vcc voltage) NCP1201P60, NCP1201D60 NCP1201P100, NCP1201D100	F_{jitter}	- -	493 822	- -	Hz/V
Maximum Duty Cycle	D_{max}	74	83	87	%

FEEDBACK SECTION ($V_{CC} = 11\text{ V}$, Pin 5 Unloaded)

Internal Pullup Resistor	R_{UP}	10	17	24	k Ω
Feedback Pin to Pin 3 Current Setpoint Division Ratio	I_{ratio}	2.9	3.3	4.0	-

BROWNOUT DETECT SECTION

BOK Input Threshold Voltage	V_{th}	1.75	1.92	2.05	V
BOK Input Bias Current ($V_{BOK} < V_{th}$)	I_{IB-BOK}	-	11	100	nA
Source Bias Current (Turn on After $V_{BOK} > V_{th}$)	I_{SC}	40	50	58	μA

FREQUENCY SKIP CYCLE SECTION

Built-in Frequency Skip Cycle Comparator Voltage Threshold	V_{SKIP}	0.96	1.07	1.18	V
--	------------	------	------	------	---

THERMAL SHUTDOWN

Thermal Shutdown Trip Point, Temperature Rising (Note 3)	T_{SD}	-	145	-	$^\circ\text{C}$
Thermal Shutdown Hysteresis	T_{HYST}	-	25	-	$^\circ\text{C}$

3. Verified by design.

TYPICAL CHARACTERISTICS

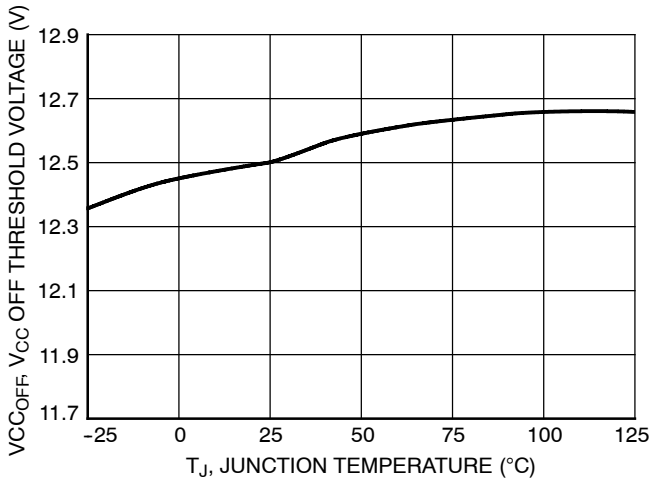


Figure 3. V_{CC} OFF Threshold Voltage vs. Junction Temperature

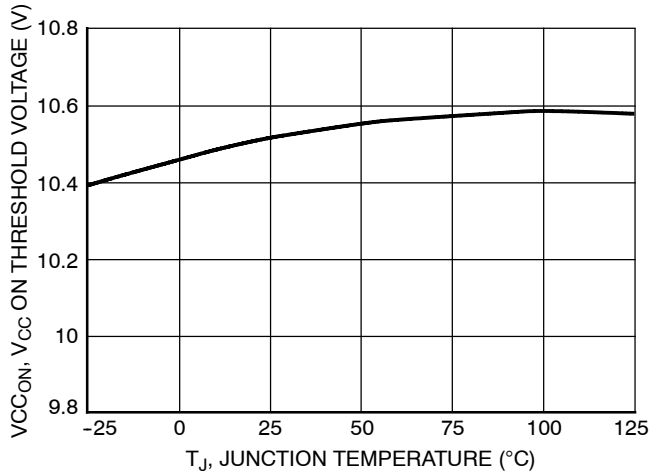


Figure 4. V_{CC} ON Threshold Voltage vs. Junction Temperature

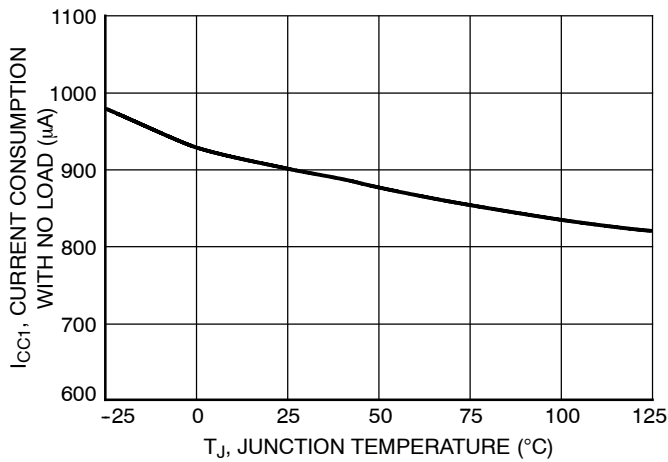


Figure 5. IC Current Consumption, I_{CC1} vs. Junction Temperature

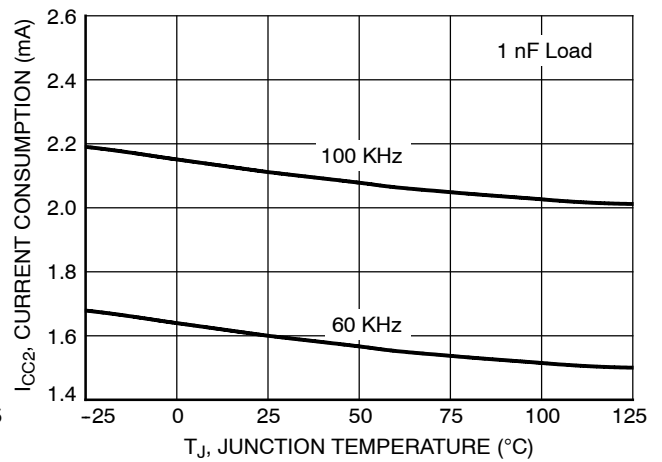


Figure 6. IC Current Consumption, I_{CC2} vs. Junction Temperature

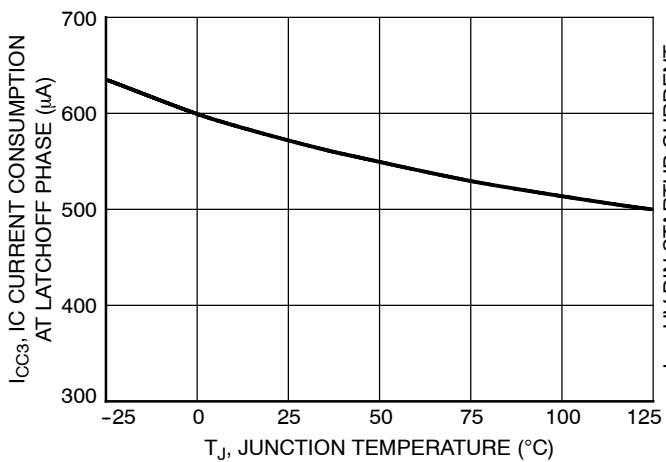


Figure 7. IC Current Consumption at Latchoff Phase vs. Junction Temperature

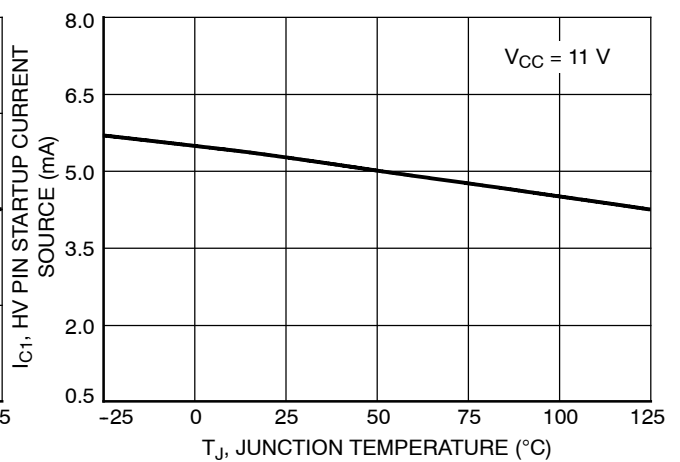


Figure 8. HV Pin Startup Current Source vs. Junction Temperature

TYPICAL CHARACTERISTICS

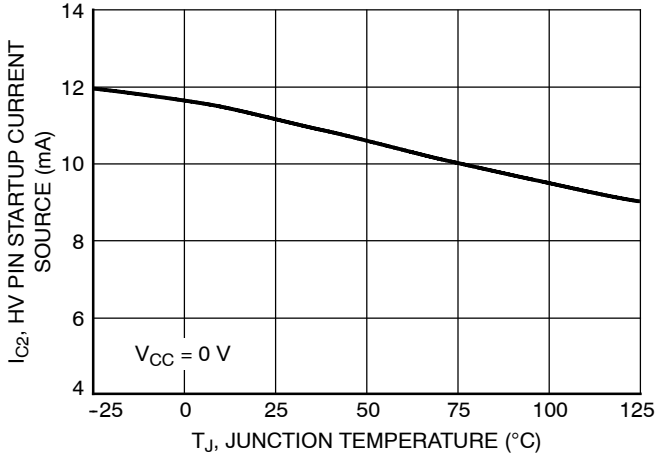


Figure 9. HV Pin Startup Current vs. Junction Temperature

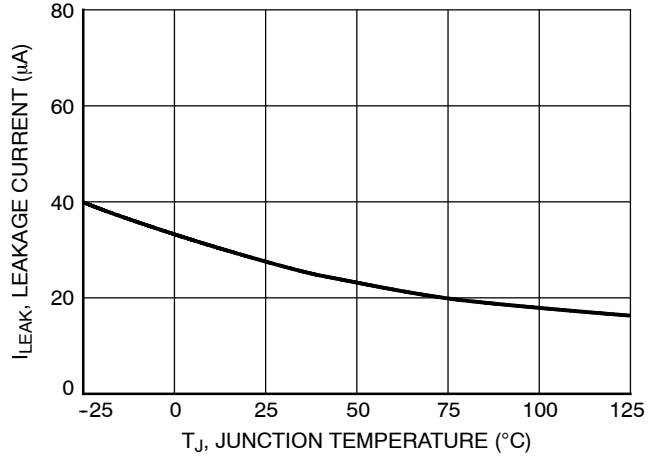


Figure 10. Leakage Current vs. Junction Temperature

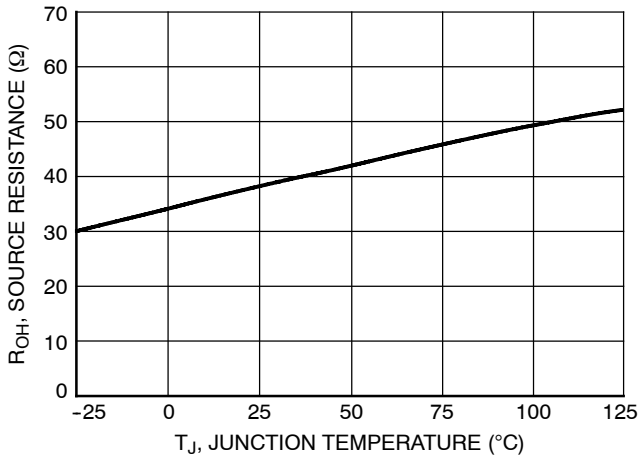


Figure 11. Output Source Resistance vs. Junction Temperature

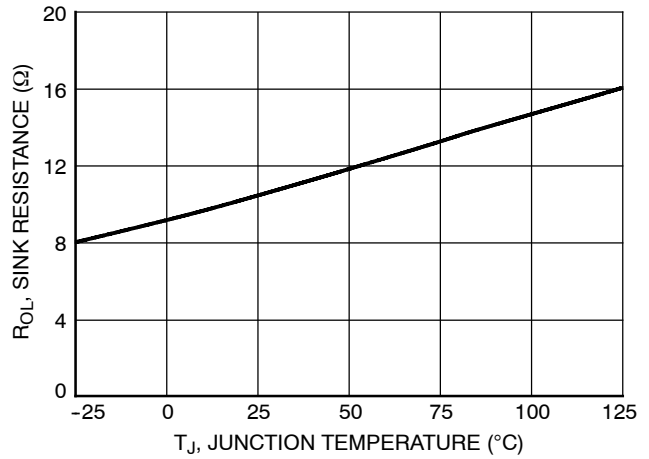


Figure 12. Output Sink Resistance vs. Junction Temperature

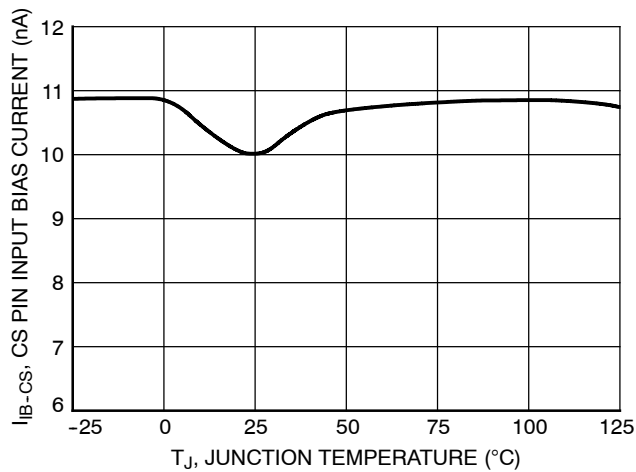


Figure 13. CS Pin Input Bias Current @ 1.0 V vs. Junction Temperature

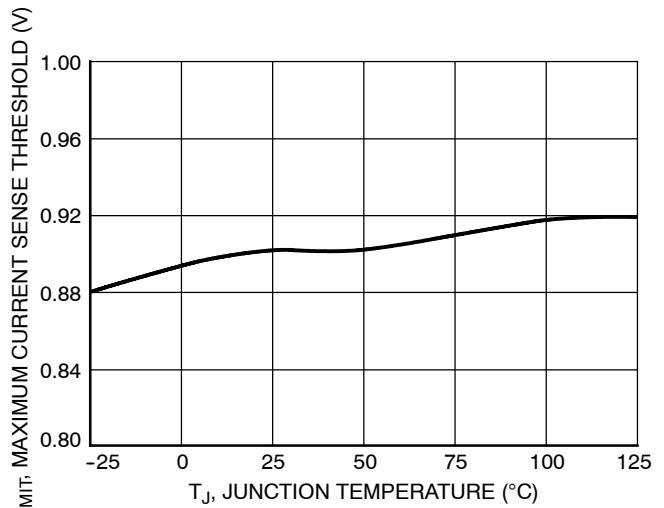


Figure 14. Maximum Current Sense Threshold vs. Junction Temperature

TYPICAL CHARACTERISTICS

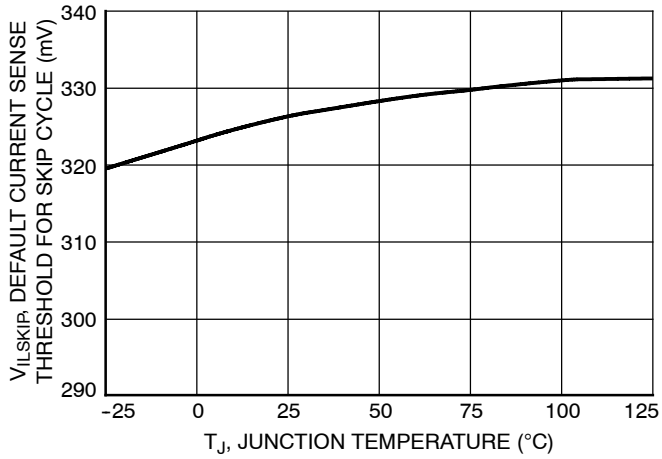


Figure 15. Default Current Setpoint for Skip Cycle vs. Junction Temperature

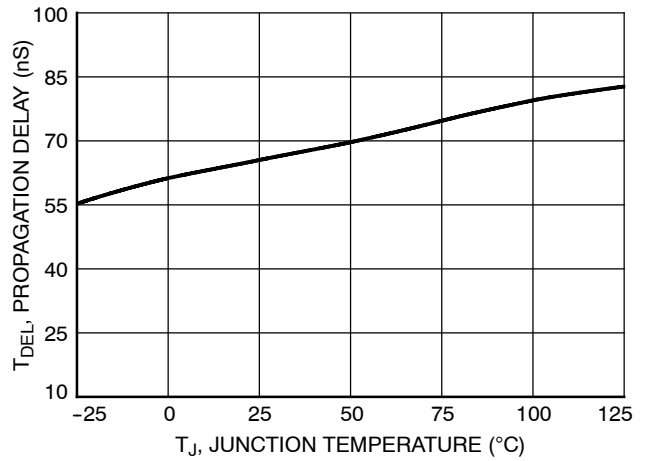


Figure 16. Propagation Delay from Current Detection to Gate Driver vs. Junction Temperature

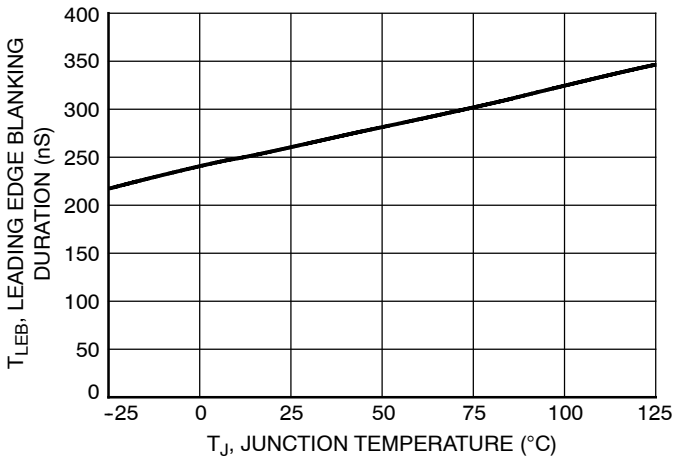


Figure 17. Leading Edge Blanking Duration vs. Junction Temperature

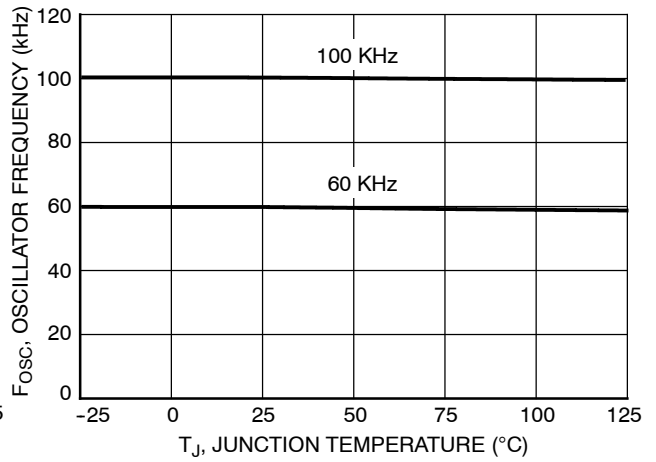


Figure 18. Oscillator Frequency vs. Junction Temperature

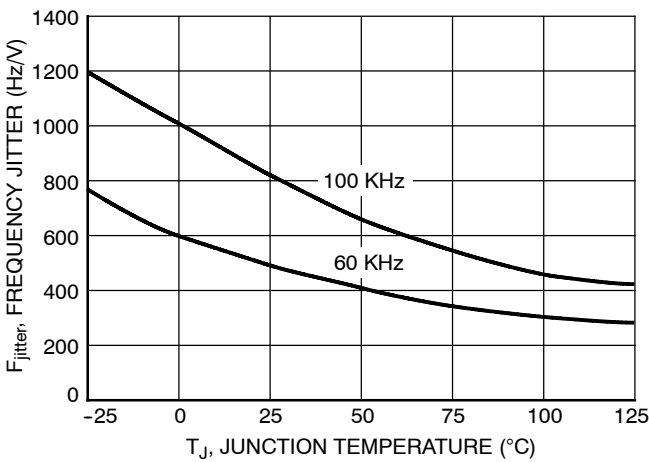


Figure 19. Frequency Jittering vs. Junction Temperature

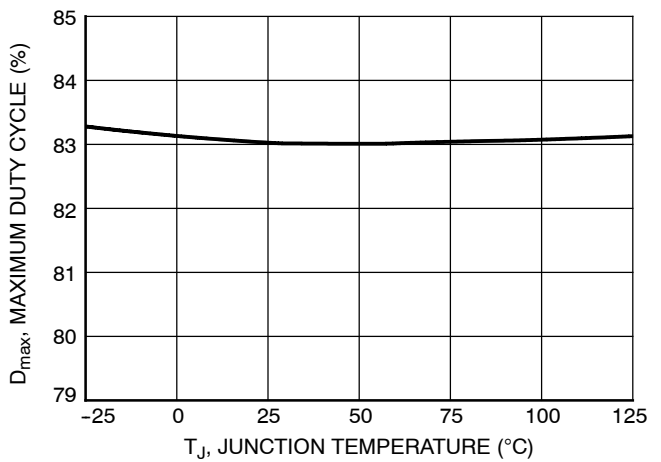


Figure 20. Maximum Duty Cycle vs. Junction Temperature

TYPICAL CHARACTERISTICS

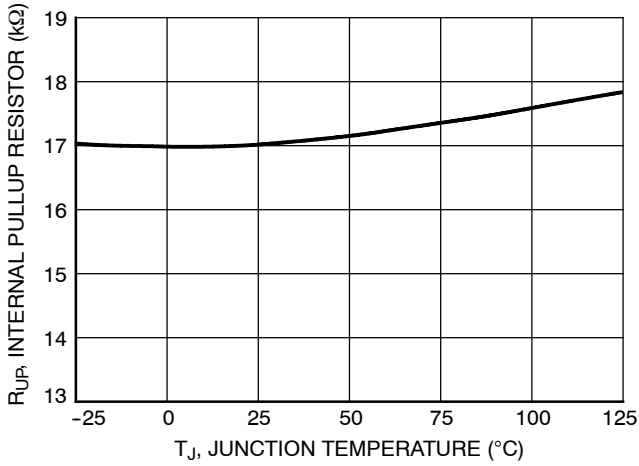


Figure 21. FB Pin Pullup Resistor vs. Junction Temperature

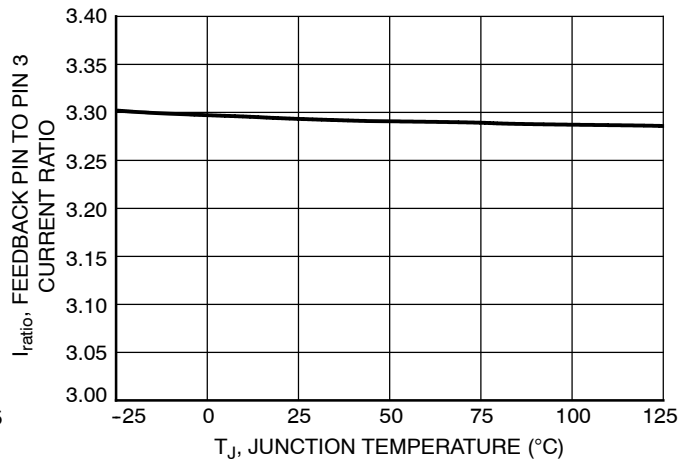


Figure 22. Feedback Pin to Pin 3 Current Setpoint Ratio vs. Junction Temperature

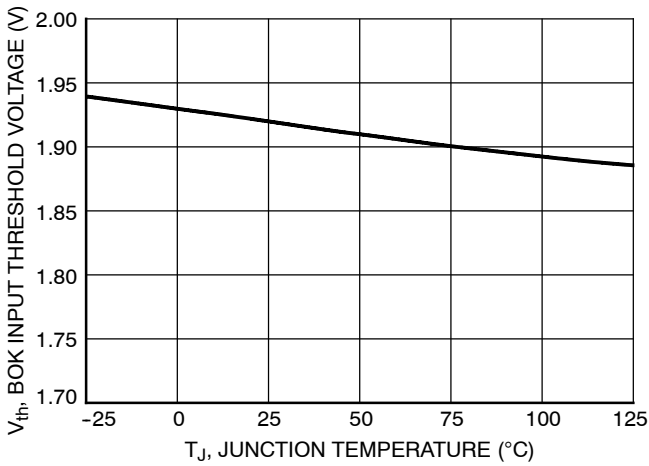


Figure 23. BOK Threshold Voltage vs. Junction Temperature

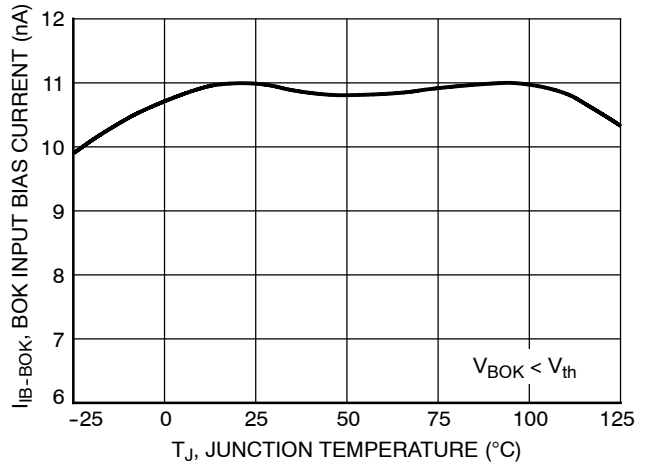


Figure 24. BOK Input Bias Current vs. Junction Temperature

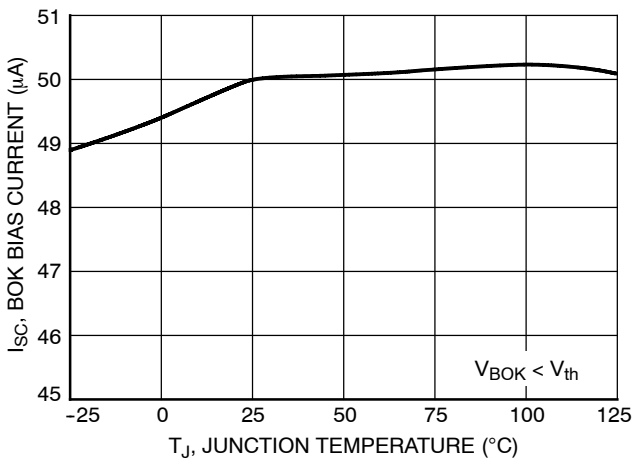


Figure 25. BOK Source Bias Current vs. Junction Temperature

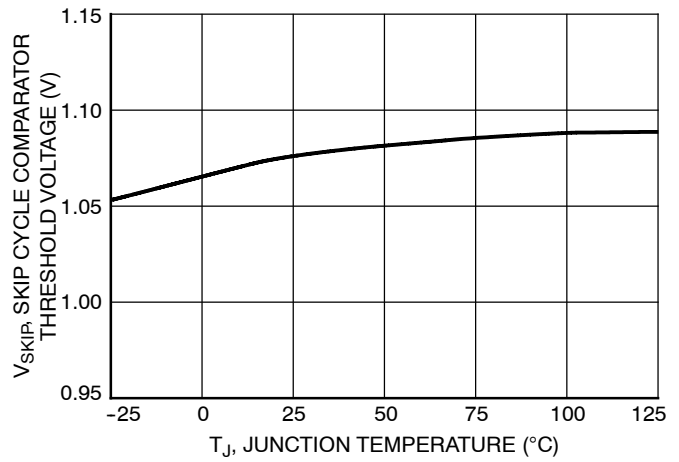


Figure 26. Skip Mode Threshold Voltage vs. Junction Temperature

DETAILED OPERATING DESCRIPTION

Introduction

The NCP1201 implements a standard current mode architecture where the switch-off time is dictated by the peak current setpoint. This component represents the ideal candidate where low part-count is the key criteria, particularly in low-cost AC-DC adapters, auxiliary supplies etc. Due to its high-performance High-Voltage technology, the NCP1201 incorporates all the necessary components normally needed in UC384X based supplies: timing components, feedback devices, low-pass filter and self-supply. This later point emphasizes the fact that ON Semiconductor's NCP1201 does NOT need an auxiliary winding to operate: the device is self supplied from the high-voltage rail and delivers a V_{CC} to the IC. This system is named the Dynamic Self-Supply (DSS).

Dynamic Self-Supply

The DSS principle is based on the charge/discharge of the V_{CC} bulk capacitor from a low level up to a higher level. We can easily describe the current source operation following simple logic equations:

POWER-ON: IF V_{CC} < V_{CCOFF} THEN
 Current Source is ON, no output pulses
 IF V_{CC} decreasing > V_{CCON} THEN
 Current Source is OFF, output is pulsing
 IF V_{CC} increasing < V_{CCOFF} THEN
 Current Source is ON, output is pulsing

Typical values are: V_{CCOFF} = 12.5 V, V_{CCON} = 10.5 V

To better understand the operation principle, Figure 27 sketch offers the necessary explanation,

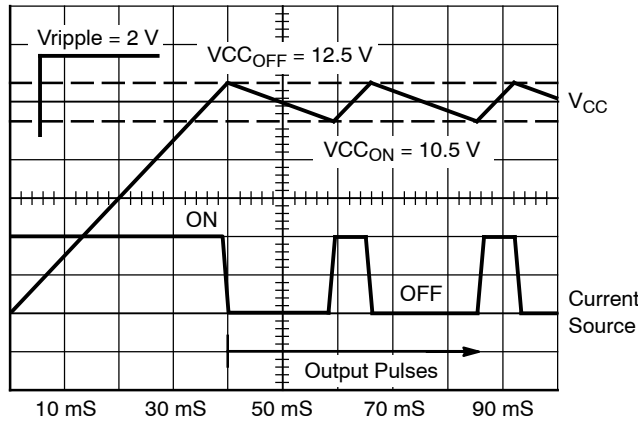


Figure 27. The Charge/Discharge Cycle Over a 10 µF V_{CC} Capacitor

The DSS behavior actually depends on the internal IC consumption and the MOSFET's gate charge Q_g. If we select a MOSFET like the MTP2N60E, Q_g max equals 22 nC. With a maximum switching frequency of 70 kHz for the oscillator 60 kHz, the average power necessary to drive the MOSFET (excluding the driver efficiency and neglecting various voltage drops) is:

$$P_{\text{driver}} = F_{\text{sw(max)}} \times Q_g \times V_{\text{CC}} \quad (\text{eq. 1})$$

Where,

P_{driver} = Average Power to drive the MOSFET

F_{sw(max)} = Maximum switching frequency

Q_g = MOSFET's gate charge

V_{CC} = VGS level applied to the gate of the MOSFET

To obtain an estimation of the driving current, simply divide P_{driver} by V_{CC},

$$I_{\text{driver}} = F_{\text{sw(max)}} \times Q_g = 1.54 \text{ mA} \quad (\text{eq. 2})$$

The total standby power consumption at no-load will therefore heavily rely on the internal IC current consumption plus the driving current (altered by the driver's efficiency). Suppose that the IC is supplied from a 350 VDC line. The current flowing through pin 8 is a direct image of the NCP1201 current consumption (neglecting the switching losses of the HV current source). If I_{CC2} equals 2.1 mA @ T_A = 25°C, then the power dissipated (lost) by the IC is simply: 350 V x 2.1 mA = 735 mW. For design and reliability reasons, it would be interesting to reduce this source of wasted power. In order to achieve that, different methods can be used.

1. Use a MOSFET with lower gate charge Q_g;
2. Connect pin through a diode (1N4007 typically) to one of the mains input. The average value on pin 8 becomes:

$$\frac{V_{\text{mainsPEAK}} \times 2}{\pi} \quad (\text{eq. 3})$$

Our power contribution example drops to $223\text{ V} \times 2.1\text{ m} = 468.3\text{ mW}$. If a resistor is installed between the mains and the diode, you further force the dissipation to migrate from the package to the resistor. The resistor value should be carefully selected to account for low-line startup.

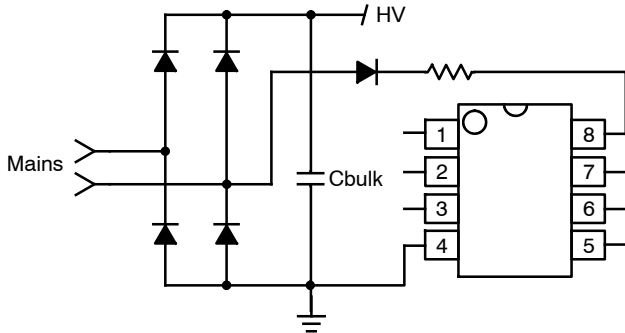


Figure 28. A Simple Diode Naturally Reduces the Average Voltage on Pin 8

3. Permanently force the V_{CC} level above V_{CCOFF} with an auxiliary winding. It will automatically disconnect the internal startup source and the IC will be fully self-supplied from this winding. Again, the total power drawn from the mains will significantly decrease. By using this approach, user need to make sure the auxiliary voltage never exceeds the 16 V limit for all line conditions.

Skipping Cycle Mode

The NCP1201 automatically skips switching cycles when the output power demand drops below a preset level. This is accomplished by monitoring the FB pin. In normal operation, FB pin imposes a peak current according to the load value. If the load demand decreases, the internal loop asks for less peak current. When this set-point reaches the skip mode threshold level, 1.07 V, the IC prevents the current from decreasing further down and starts to blank the output pulses, i.e. the controller enters the so-called Skip Cycle Mode, also named Controlled Burst Operation. The power transfer now depends upon the width of the pulse bunches, Figure 29.

Suppose we have the following component values:

L_p , primary inductance = 1.0 mH

F_{sw} , switching frequency = 60 kHz

I_p (skip) = 200 mA (or $333\text{ mV}/R_{sense}$)

The theoretical power transfer is therefore:

$$\frac{1}{2} \times L_p \times I_p^2 \times F_{sw} = 1.2\text{ W} \quad (\text{eq. 4})$$

If the controller enters Skip Cycle Mode with a pulse packet length of 20 ms over a recurrent period of 100 ms, then the total power transfer reduced to $1.2\text{ W} \times 0.2 = 240\text{ mW}$.

To better understand how this Skip Cycle Mode takes place, a look at the operation mode versus the FB pin voltage level shown below, immediately gives the necessary insight.

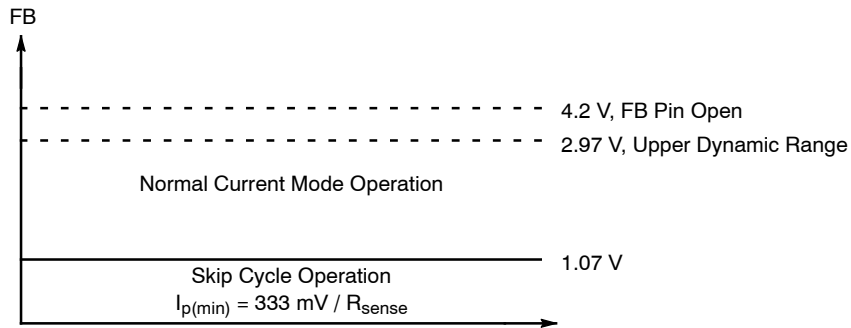


Figure 29. Feedback Pin Voltage and Modes of Operation

When FB pin voltage level is above the skip cycle threshold (1.07 V by default), the peak current cannot exceed $0.9\text{ V}/R_{sense}$. When the IC enters the skip cycle mode, the

peak current cannot go below $V_{SKIP}/3.3$. By using the peak current limit reduction scheme, the skip cycle takes place at a lower peak current, which guarantees noise free operation.

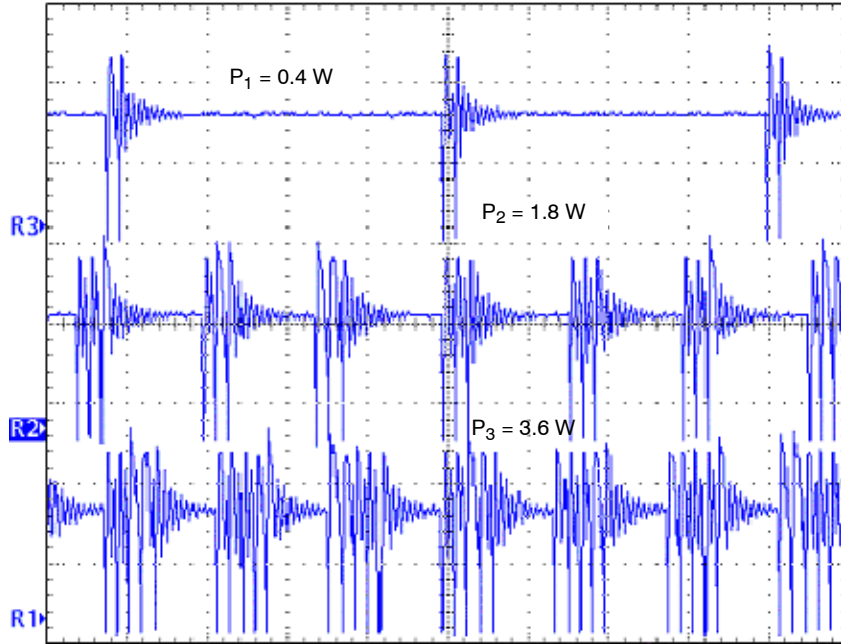


Figure 30. MOSFET V_{DS} at Various Power Levels, $P_1 < P_2 < P_3$

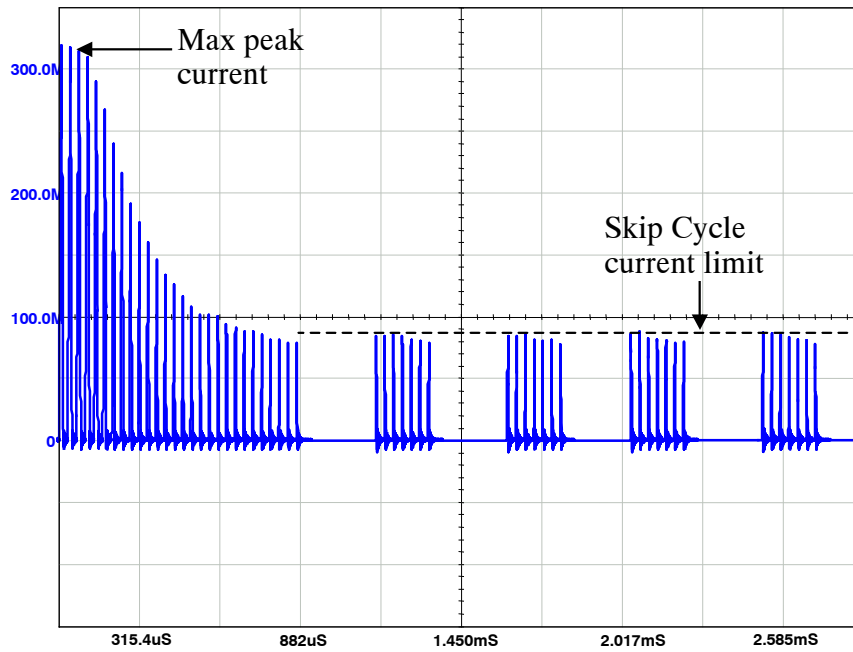


Figure 31. The Skip Cycle Takes Place at Low Peak Current

Brownout Detect Protection

In order to avoid output voltage bouncing during electricity brownout, a Bulk Capacitor Voltage Comparator with programmable hysteresis is included in this device. The non-inverting input, pin 1, is connected to the voltage divider comprised of R_{Upper} and R_{Lower} as shown in Figure 32, monitoring the bulk capacitor voltage level. The inverting input is connected to a threshold voltage of 1.92 V internally. As bulk capacitor voltage drops below the pre-programmed level, i.e. Pin 1 voltage drops below 1.92 V, a reset signal will be generated via internal protection logic to the PWM Latch to turn off the Power Switch immediately. At the same time, an internal current source controlled by the state of the comparator provides a mean to setup the voltage hysteresis through injecting current into R_{Lower} . The equations below (Equations 5 and 6) show the relationship between V_{BULK} levels and the voltage divider network resistors.

Equations for resistors selection are:

$$R_{Upper} + R_{Lower} = \frac{(V_{BULK_H} - V_{BULK_L})}{50 \mu A} \quad (eq. 5)$$

$$R_{Lower} = \frac{[1.92 V(V_{BULK_H} - V_{BULK_L})]}{(50 \mu A \times V_{BULK_H})} \quad (eq. 6)$$

Assume $V_{BULK_H} = 90$ Vdc and $V_{BULK_L} = 80$ Vdc, by using $4.3 \text{ k}\Omega$ for R_{Lower} then R_{Upper} is about $195.7 \text{ k}\Omega$.

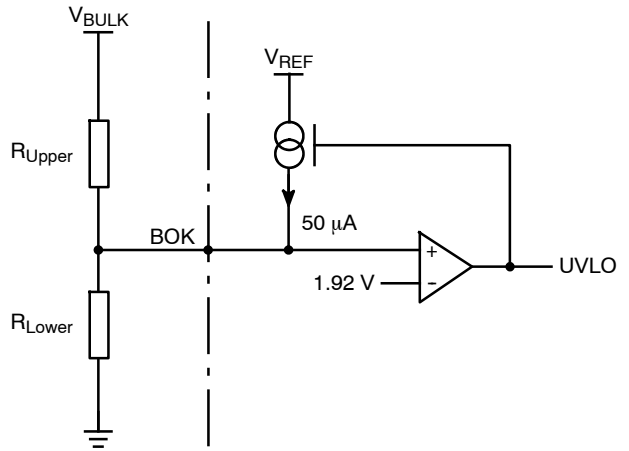


Figure 32. Brown-Out Protection Operation

APPLICATION INFORMATION

Power Dissipation

The NCP1201 can be directly supplied from the DC rail through the internal DSS circuitry. The average current flowing through the DSS is therefore the direct image of the NCP1201 current consumption. The total power dissipation can be evaluated using: $(V_{HVDC} - 11\text{ V}) \times I_{CC2}$. If the device operates on a 250 VAC rail, the maximum rectified voltage can go up to 350 VDC. At $T_A = 25^\circ\text{C}$, $I_{CC2} = 2.1\text{ mA}$ for the 60 kHz version over a 1.0 nF capacitive load. As a result, the NCP1201 will dissipate $350\text{ V} \times 2.1\text{ mA} = 735\text{ mW}$ ($T_A = 25^\circ\text{C}$). The SOIC-8 package offers a junction-to-ambient thermal resistance $R_{\theta J-A}$ of 178°C/W . Adding some copper area around the device pins will help to improve this number, 12mm x 12mm copper can drop $R_{\theta J-A}$ down to 100°C/W with 35 μ copper thickness (1 oz.) or 6.5mm x 6.5mm with 70 μ copper thickness (2 oz.). With this later number, we can compute the maximum power dissipation the package accepts at an ambient of 50°C :

$$P_{\text{max}} = \frac{T_{j\text{max}} - T_{A\text{max}}}{R_{\theta J-A}} = 750\text{ mW} \quad (T_{j\text{max}} = 125^\circ\text{C}),$$

which is acceptable with our previous thermal budget. For the DIP8 package, adding a min-pad area of 80mm^2 of 35 μ copper (1 oz.), $R_{\theta J-A}$ drops from 100°C/W to about 75°C/W . In the above calculations, I_{CC2} is based on a 1.0 nF output capacitor. As seen before, I_{CC2} will depend on your

MOSFET's Q_g which $I_{CC2} \approx I_{CC1} + F_{\text{sw}} \times Q_g$. Final calculation should thus account for the total gate-charge Q_g your MOSFET will exhibit.

If the power estimation is beyond the limit, supply to the V_{CC} with a series diode as suggested in Figure 28 can be used. As a result, it will drop the average input voltage and lower the dissipation to $\frac{350\text{ V} \times 2}{\pi} \times 1.6\text{ mA} = 356.5\text{ mW}$. Alternatively, an auxiliary winding can be used to disable the DSS and hence reduce the power consumption down to $V_{CC} \times I_{CC2}$. By using the auxiliary winding supply method, the rectified auxiliary voltage should permanently stays above the $V_{CC\text{OFF}}$ threshold voltage, keeping DSS off and is safely kept well below the 16 V maximum rating for whole operating conditions.

Non-Latching Shutdown

In some cases, it might be desirable to shut off the device temporarily and authorize its restart once the control signal has disappeared. This option can easily be accomplished through a single NPN bipolar transistor wired between FB and ground. By pulling FB pin voltage below the V_{SKIP} level, the output pulses are disabled as long as FB pin voltage is pulled below the skip mode threshold voltage. As soon as FB pin is released, the the device resumes its normal operation again. Figure 33 depicts an application example.

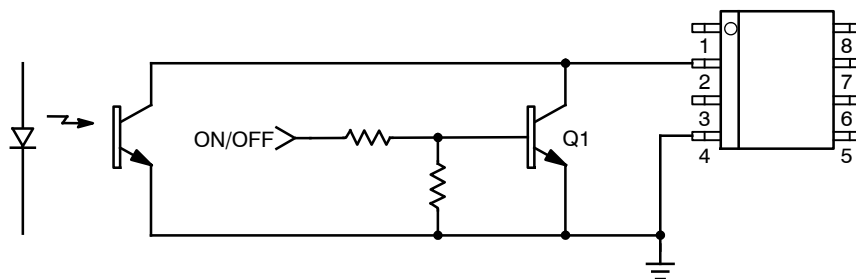


Figure 33. A Method to Shut Down the Device Without a Definitive Latchoff State

Fault Protection

In applications where the output current is purposely not controlled (e.g. wall adapters delivering raw DC level), it is often required to permanently latching off the power supply in presence of a fault. This fault can be either a short-circuit on the output or a broken optocoupler. In this later case, it is important to quickly react in order to avoid a lethal output voltage runaway. The NCP1201 includes a circuitry tailored to tackle both events. A short-circuit forces the output voltage to be at a low level, preventing a bias current to circulate in the optocoupler LED. As a result, the FB pin level is pulled up to 4.2 V, as internally imposed by the IC. The peak current set-point goes to the maximum and the supply delivers a rather high power with all the associated effects. However, this can also happen in case of feedback loss, e.g. a broken optocoupler. To account for those

situations, NCP1201 included a dedicated overload protection circuitry. Once the protection activated, the circuitry permanently stops the pulses while the V_{CC} moves between 10-12 V to maintain this latching state. The system resets when the user purposely cycles the V_{CC} down below 3.0 V, e.g. when the power plug is removed from the mains.

In NCP1201, the controller stops all output pulses as soon as the error flag is asserted, irrespective to the V_{CC} level. However, to avoid false triggers during the startup sequence, NCP1201 purposely omits the very first V_{CC} descent from 12 to 10 V. The error circuitry is actually armed just after this sequence, e.g. V_{CC} crossing 10 V. Figure 34 details the timing sequence. The V_{CC} capacitor should be calculated carefully to offer a sufficient time out during the first startup V_{CC} descent.

NCP1201

As shown below, the fault logic is armed once V_{CC} crosses 10 V after startup phase. When powering the device from an auxiliary winding, meeting this condition can sometimes be problematic since upon startup, V_{CC} naturally goes up and not down as with a DSS. As a result, V_{CC} never crosses 10 V and the fault logic is not activated. If a short-circuit takes place, the fault circuitry activates as soon as V_{CC} collapses below 10 V (because of the coupling between V_{aux} and

V_{out}), but in presence of a broken optocoupler, i.e. feedback is open, V_{CC} increases and the fault will never triggered! To avoid this problem, the application note “Tips and Tricks with NCP1200, AN8069/D” offers some possible solutions where the DSS is kept for protection logic operation only but all the driving power is derived from the auxiliary winding. Some solutions even offer the ability to disable the DSS in standby and benefit to low standby power.

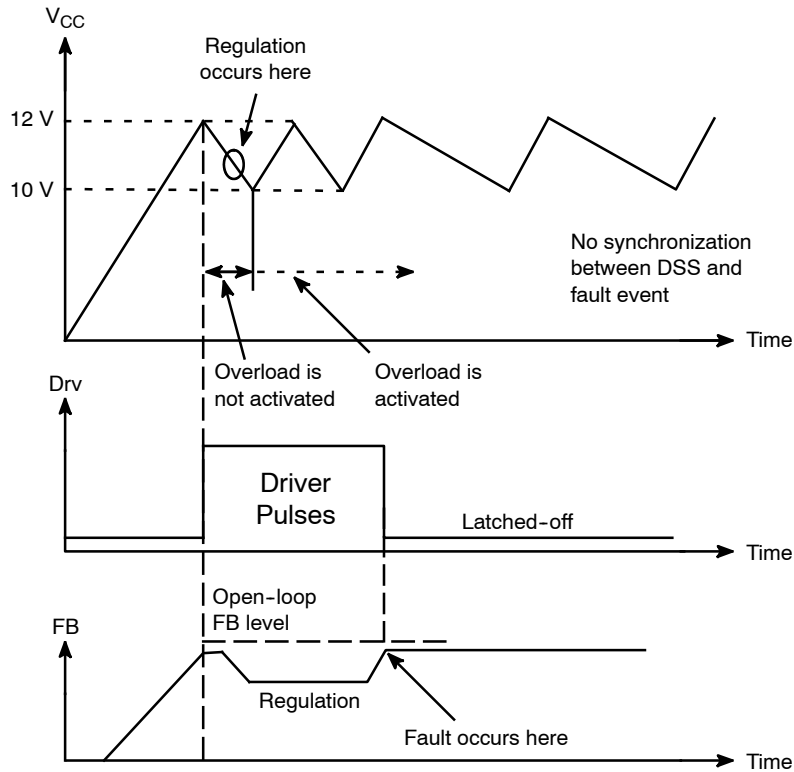


Figure 34. Fault Protection Timing Diagram

Calculating the V_{CC} Capacitor

As the above section describes, the fall down sequence depends upon the V_{CC} level, i.e. how long does it take for the V_{CC} line to decrease from 12.5 V to 10.5 V. The required time depends on the powerup sequence of your system, i.e. when you first apply the power to the device. The corresponding transient fault duration due to the output capacitor charging must be less than the time needed to discharge from 12.5 V to 10.5 V, otherwise the supply will not properly startup. The test consists in either simulating or measuring in the laboratory to determine time required for the system to reach the regulation at full load. Let's assume

that this time corresponds to 6.0 ms. Therefore a V_{CC} fall time of 10 ms could be well appropriated in order to not trigger the overload detection circuitry. If the corresponding IC consumption, including the MOSFET drive, establishes at 1.8 mA for instance, we can calculate the required capacitor using the following formula: $\Delta t = \frac{\Delta V \times C}{i}$, with $\Delta V = 2.0$ V. Then for a wanted Δt of 10 ms, C equals 9.0 μ F or 10 μ F for a standard value. When an overload condition occurs, the IC blocks its internal circuitry and its consumption drops to 575 μ A typical. This explains the V_{CC} falling slope changes after latching in Figure 34.

Protecting the Controller Against Negative Spikes

As with any controller built upon a CMOS technology, it is the designer’s duty to avoid the presence of negative spikes on sensitive pins. Negative signals have the bad habit to forward bias the controller substrate and induce erratic behaviors. Sometimes, the injection can be so strong that internal parasitic SCRs are triggered, engendering irremediable damages to the IC if they are a low impedance path is offered between V_{CC} and GND. If the current sense pin is often the seat of such spurious signals, the high-voltage pin can also be the source of problems in certain circumstances. During the turn-off sequence, e.g. when the user unplugs the power supply, the controller is still

fed by its V_{CC} capacitor and keeps activating the MOSFET ON and OFF with a peak current limited by R_{sense} . Unfortunately, if the quality coefficient Q of the resonating network formed by L_p and C_{bulk} is low (e.g. the MOSFET $R_{dson} + R_{sense}$ are small), conditions are met to make the circuit resonate and thus negatively bias the controller. Since we are talking about ms pulses, the amount of injected charge ($Q = I \times t$) immediately latches the controller which brutally discharges its V_{CC} capacitor. If this V_{CC} capacitor is of sufficient value, its stored energy damages the controller. Figure 35 depicts a typical negative shot occurring on the HV pin where the brutal V_{CC} discharge testifies for latchup.

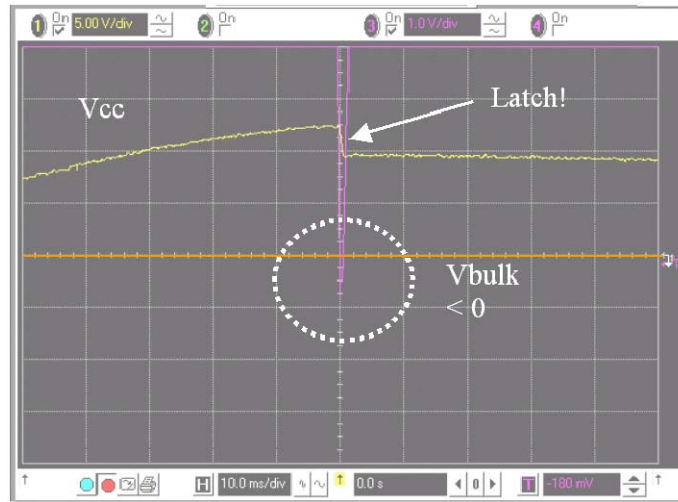


Figure 35. A negative spike takes place on the Bulk capacitor at the switch-off sequence

Simple and inexpensive cures exist to prevent from internal parasitic SCR activation. One of them consists in inserting a resistor in series with the high-voltage pin to keep the negative current to the lowest when the bulk becomes negative (Figure 36). Please note that the negative spike is clamped to $-2 \times V_f$ due to the diode bridge. Please refer to AND8069 for power dissipation calculations.

Another option (Figure 37) consists in wiring a diode from V_{CC} to the bulk capacitor to force V_{CC} to reach UVLOlow sooner and thus stops the switching activity before the bulk capacitor gets deeply discharged. For security reasons, two diodes can be connected in series.

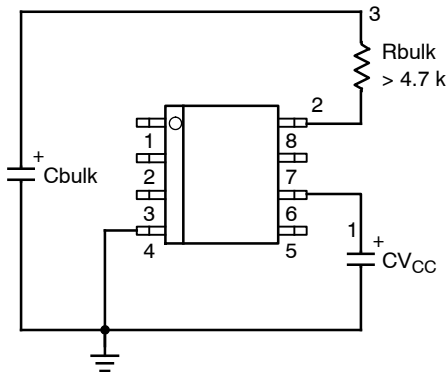


Figure 36. A simple resistor in series avoids any latchup in the controller

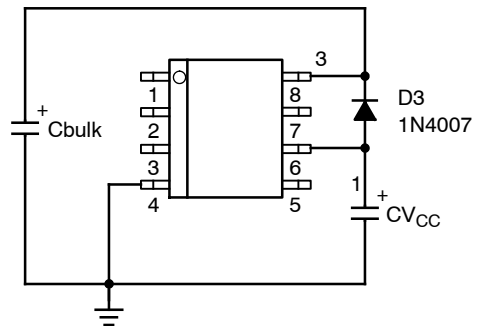


Figure 37. or a diode forces V_{CC} to reach UVLOlow sooner

NCP1201

ORDERING INFORMATION

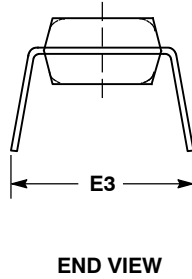
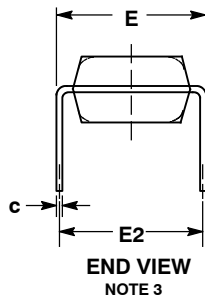
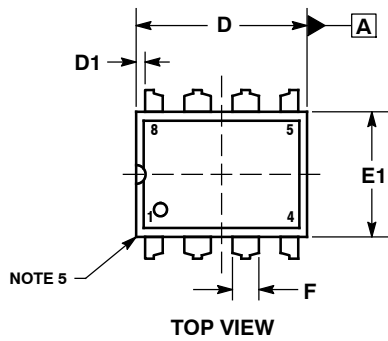
Device	Package	Shipping†
NCP1201P60G	PDIP-8 (Pb-Free)	50 Units / Rail
NCP1201D60R2G	SOIC-8 (Pb-Free)	2500 / Tape & Reel
NCP1201P100G	PDIP-8 (Pb-Free)	50 Units / Rail
NCP1201D100R2G	SOIC-8 (Pb-Free)	2500 / Tape & Reel

†For information on tape and reel specifications, including part orientation and tape sizes, please refer to our Tape and Reel Packaging Specifications Brochure, BRD8011/D.

NCP1201

PACKAGE DIMENSIONS

8 LEAD PDIP
CASE 626-05
ISSUE M



NOTES:

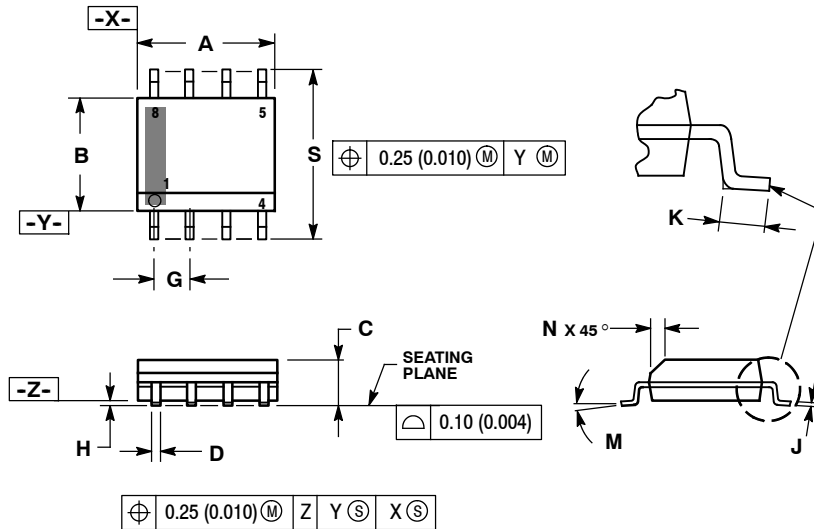
1. DIMENSIONING AND TOLERANCING PER ASME Y14.5M, 1994.
2. CONTROLLING DIMENSION: INCHES.
3. DIMENSION E IS MEASURED WITH THE LEADS RESTRAINED PARALLEL AT WIDTH E2.
4. DIMENSION E1 DOES NOT INCLUDE MOLD FLASH.
5. ROUNDED CORNERS OPTIONAL.

DIM	INCHES			MILLIMETERS		
	MIN	NOM	MAX	MIN	NOM	MAX
A	----	----	0.210	----	----	5.33
A1	0.015	----	----	0.38	----	----
b	0.014	0.018	0.022	0.35	0.46	0.56
C	0.008	0.010	0.014	0.20	0.25	0.36
D	0.355	0.365	0.400	9.02	9.27	10.02
D1	0.005	----	----	0.13	----	----
E	0.300	0.310	0.325	7.62	7.87	8.26
E1	0.240	0.250	0.280	6.10	6.35	7.11
E2	0.300 BSC			7.62 BSC		
E3	----	----	0.430	----	----	10.92
e	0.100 BSC			2.54 BSC		
L	0.115	0.130	0.150	2.92	3.30	3.81

NCP1201

PACKAGE DIMENSIONS

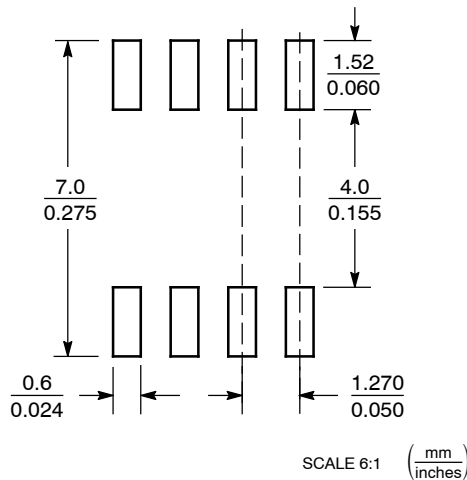
SOIC-8 NB CASE 751-07 ISSUE AJ



- NOTES:
1. DIMENSIONING AND TOLERANCING PER ANSI Y14.5M, 1982.
 2. CONTROLLING DIMENSION: MILLIMETER.
 3. DIMENSION A AND B DO NOT INCLUDE MOLD PROTRUSION.
 4. MAXIMUM MOLD PROTRUSION 0.15 (0.006) PER SIDE.
 5. DIMENSION D DOES NOT INCLUDE DAMBAR PROTRUSION. ALLOWABLE DAMBAR PROTRUSION SHALL BE 0.127 (0.005) TOTAL IN EXCESS OF THE D DIMENSION AT MAXIMUM MATERIAL CONDITION.
 6. 751-01 THRU 751-06 ARE OBSOLETE. NEW STANDARD IS 751-07.

DIM	MILLIMETERS		INCHES	
	MIN	MAX	MIN	MAX
A	4.80	5.00	0.189	0.197
B	3.80	4.00	0.150	0.157
C	1.35	1.75	0.053	0.069
D	0.33	0.51	0.013	0.020
G	1.27 BSC		0.050 BSC	
H	0.10	0.25	0.004	0.010
J	0.19	0.25	0.007	0.010
K	0.40	1.27	0.016	0.050
M	0°	8°	0°	8°
N	0.25	0.50	0.010	0.020
S	5.80	6.20	0.228	0.244

SOLDERING FOOTPRINT*



*For additional information on our Pb-Free strategy and soldering details, please download the ON Semiconductor Soldering and Mounting Techniques Reference Manual, SOLDERRM/D.

ON Semiconductor and are registered trademarks of Semiconductor Components Industries, LLC (SCILLC). SCILLC reserves the right to make changes without further notice to any products herein. SCILLC makes no warranty, representation or guarantee regarding the suitability of its products for any particular purpose, nor does SCILLC assume any liability arising out of the application or use of any product or circuit, and specifically disclaims any and all liability, including without limitation special, consequential or incidental damages. "Typical" parameters which may be provided in SCILLC data sheets and/or specifications can and do vary in different applications and actual performance may vary over time. All operating parameters, including "Typicals" must be validated for each customer application by customer's technical experts. SCILLC does not convey any license under its patent rights nor the rights of others. SCILLC products are not designed, intended, or authorized for use as components in systems intended for surgical implant into the body, or other applications intended to support or sustain life, or for any other application in which the failure of the SCILLC product could create a situation where personal injury or death may occur. Should Buyer purchase or use SCILLC products for any such unintended or unauthorized application, Buyer shall indemnify and hold SCILLC and its officers, employees, subsidiaries, affiliates, and distributors harmless against all claims, costs, damages, and expenses, and reasonable attorney fees arising out of, directly or indirectly, any claim of personal injury or death associated with such unintended or unauthorized use, even if such claim alleges that SCILLC was negligent regarding the design or manufacture of the part. SCILLC is an Equal Opportunity/Affirmative Action Employer. This literature is subject to all applicable copyright laws and is not for resale in any manner.

PUBLICATION ORDERING INFORMATION

LITERATURE FULFILLMENT:
Literature Distribution Center for ON Semiconductor
P.O. Box 5163, Denver, Colorado 80217 USA
Phone: 303-675-2175 or 800-344-3860 Toll Free USA/Canada
Fax: 303-675-2176 or 800-344-3867 Toll Free USA/Canada
Email: orderlit@onsemi.com

N. American Technical Support: 800-282-9855 Toll Free USA/Canada
Europe, Middle East and Africa Technical Support:
Phone: 421 33 790 2910
Japan Customer Focus Center
Phone: 81-3-5773-3850

ON Semiconductor Website: www.onsemi.com
Order Literature: <http://www.onsemi.com/orderlit>

For additional information, please contact your local Sales Representative

Looking for pricing, stock, or lifecycle information?

Click below to explore more details on WIN SOURCE:

- ⊖ [View NCP1201D100R2G on WIN SOURCE](#)
- ⊖ [ON Semiconductor Information](#)

Optimize Your Supply Chain with WIN SOURCE Solutions

- ✓ Global Sourcing Solution
- ✓ Obsolete Management
- ✓ Cost Control Management
- ✓ Shortage Management
- ✓ Alternative Solution
- ✓ Excess Inventory Management