



**THE DATASHEET OF
EL1527CRE-T13**



EL1527

Dual Channel Medium Power Differential Line Driver

FN7341
 Rev 2.00
 June 25, 2008

The EL1527 is a very low power dual channel differentiated amplifier designed for central office and customer premise line driving for DMT ADSL solutions. This device features a high drive capability of 400mA while consuming only 7.5mA of supply current per amplifier from $\pm 12V$ supplies. This driver achieves a typical distortion of less than -75dBc, at 1MHz into a 50 Ω load.

The EL1527 has two control pins, C₀ and C₁, per channel. With the selection of C₀ and C₁, the device can be set into full-I_S power, 3/4-I_S power, 1/2-I_S power, and power-down disable modes. The EL1527 maintains excellent distortion and load driving capabilities even in the lowest power settings.

The EL1527 is available in the thermally-enhanced 28 Ld HTSSOP package. This device is specified for operation over the full -40°C to +85°C temperature range.

Ordering Information

PART NUMBER	PART MARKING	TEMP. RANGE (°C)	PACKAGE	PKG. DWG. #
EL1527CRE	1527CRE	-40 to +85	28 Ld HTSSOP	MDP0048
EL1527CRE-T7*	1527CRE	-40 to +85	28 Ld HTSSOP	MDP0048
EL1527CRE-T13*	1527CRE	-40 to +85	28 Ld HTSSOP	MDP0048
EL1527CREZ (See Note)	1527CREZ	-40 to +85	28 Ld HTSSOP (Pb-Free)	MDP0048
EL1527CREZ-T7* (See Note)	1527CREZ	-40 to +85	28 Ld HTSSOP (Pb-Free)	MDP0048
EL1527CREZ-T13 (See Note)	1527CREZ	-40 to +85	28 Ld HTSSOP (Pb-Free)	MDP0048

*Please refer to TB347 for details on reel specifications.

NOTE: These Intersil Pb-free plastic packaged products employ special Pb-free material sets, molding compounds/die attach materials, and 100% matte tin plate plus anneal (e3 termination finish, which is RoHS compliant and compatible with both SnPb and Pb-free soldering operations). Intersil Pb-free products are MSL classified at Pb-free peak reflow temperatures that meet or exceed the Pb-free requirements of IPC/JEDEC J STD-020.

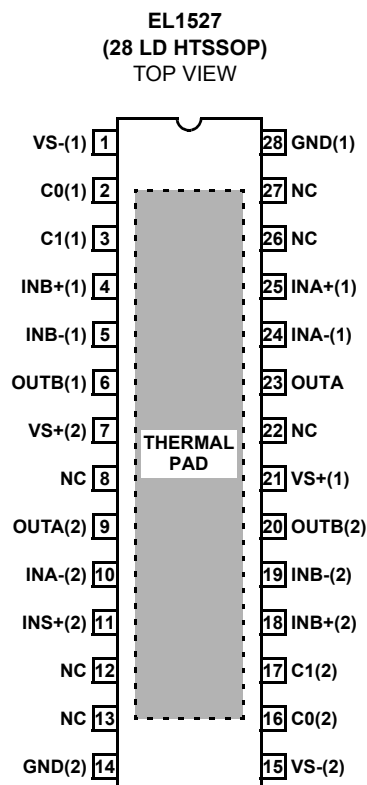
Features

- Drives 360mA at 16V_{P-P} on $\pm 12V$ supplies
- 40V_{P-P} differential output drive into 100 Ω
- -75dBc typical driver output distortion driving 50 Ω at 1MHz and 1/2-I_S bias current
- Low quiescent current of 3.5mA per amplifier in 1/2-I_S mode
- Power-down disable mode
- Pb-free available (RoHS compliant)

Applications

- ADSL G.DMT and G.lite CO line driving
- G.SHDSL, HDSL2 line driver
- ADSL CPE line driving
- Video distribution amplifier
- Video twisted-pair line driver

Pinout



© Copyright Intersil Americas LLC 2002-2008. All Rights Reserved.
All trademarks and registered trademarks are the property of their respective owners.

For additional products, see www.intersil.com/en/products.html

Intersil products are manufactured, assembled and tested utilizing ISO9001 quality systems as noted in the quality certifications found at www.intersil.com/en/support/qualandreliability.html

Intersil products are sold by description only. Intersil may modify the circuit design and/or specifications of products at any time without notice, provided that such modification does not, in Intersil's sole judgment, affect the form, fit or function of the product. Accordingly, the reader is cautioned to verify that datasheets are current before placing orders. Information furnished by Intersil is believed to be accurate and reliable. However, no responsibility is assumed by Intersil or its subsidiaries for its use; nor for any infringements of patents or other rights of third parties which may result from its use. No license is granted by implication or otherwise under any patent or patent rights of Intersil or its subsidiaries.

For information regarding Intersil Corporation and its products, see www.intersil.com

Looking for pricing, stock, or lifecycle information?

Click below to explore more details on WIN SOURCE:

- ⊖ [View EL1527CRE-T13 on WIN SOURCE](#)
- ⊖ [Renesas Electronics America](#) Information

Optimize Your Supply Chain with WIN SOURCE Solutions

- ✓ Global Sourcing Solution
- ✓ Obsolete Management
- ✓ Cost Control Management
- ✓ Shortage Management
- ✓ Alternative Solution
- ✓ Excess Inventory Management