



THE DATASHEET OF AUIRS2113S



Features

- Floating channel designed for bootstrap operation
- Fully operational to +500 V or +600 V
- Tolerant to negative transient voltage – dV/dt immune
- Gate drive supply range from 10 V to 20 V
- Undervoltage lockout for both channels
- 3.3 V input logic compatible
- Separate logic supply range from 3.3 V to 20 V
- Logic and power ground ± 5 V offset
- CMOS Schmitt-triggered inputs with pull-down
- Cycle by cycle edge-triggered shutdown logic
- Matched propagation delay for both channels
- Output in phase with inputs
- Leadfree, roHS Compliant
- Automotive qualified*

Typical Applications

- Hybrid electric vehicles
- Air condition drives, pumps, fans
- Automotive general purpose dual LS/HS driver
- Automotive motor drives
- Automotive DC/DC converters
- Automotive injection control

Product Summary

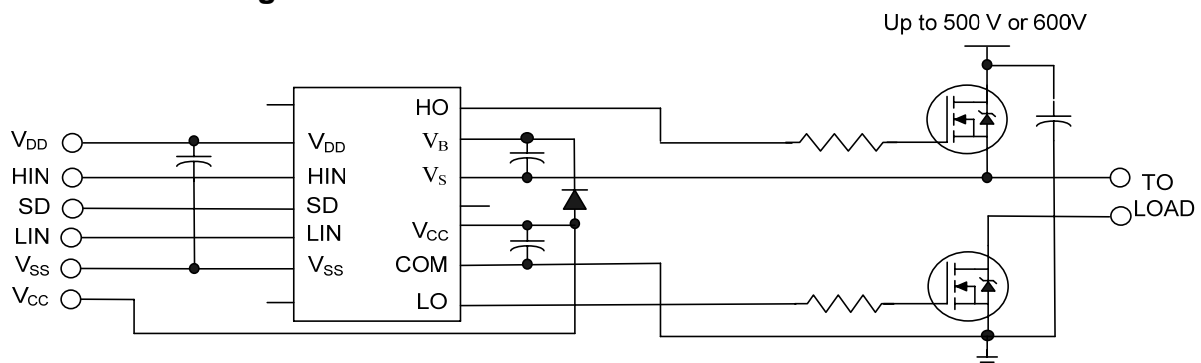
Topology		2 channels
V_{OFFSET}	AUIRS2110	500 V max
	AUIRS2113	600 V max
V_{OUT}		10 V – 20 V
$I_{\text{O+}} \& I_{\text{O-}}$ (typical)		2.5 A / 2.5 A
$t_{\text{ON}} \& t_{\text{OFF}}$ (typical)		140 ns & 120 ns
Delay Matching (max.)		35 ns max

Package Option



16-Lead SOIC
AUIRS211(0,3)S

Typical Connection Diagram



(Refer to Lead Assignments for correct pin configuration). This/These diagram(s) show electrical connections only. Please refer to our Application Notes and Design Tips for proper circuit board layout.

Table of Contents	Page
Description	3
Qualification Information	4
Absolute Maximum Ratings	5
Recommended Operating Conditions	5
Static Electrical Characteristics	6
Dynamic Electrical Characteristics	6
Functional Block Diagram	7
Input/Output Pin Equivalent Circuit Diagram	8
Lead Definitions	9
Lead Assignments	9
Application Information and Additional Details	10-11
Parameter Temperature Trends	12-14
Package Details	15
Tape and Reel Details	16
Part Marking Information	17
Ordering Information	18

Description

The AUIRS211(0,3)S are high voltage, high speed power MOSFET and IGBT drivers with independent high and low side referenced output channels. Proprietary HVIC and latch immune CMOS technologies enable ruggedized monolithic construction. The logic input is compatible with standard CMOS or LSTTL output, down to 3.3 V logic. The output drivers feature a high pulse current buffer stage designed for minimum driver cross-conduction. Propagation delays are matched to simplify use in high frequency applications. The floating channel can be used to drive an N-channel power MOSFET or IGBT in the high side configuration which operates up to 500 V or 600 V.

Qualification Information[†]

Qualification Level		Automotive (per AEC-Q100 ^{††})	
		Comments: This family of ICs has passed an Automotive qualification. IR's Industrial and Consumer qualification level is granted by extension of the higher Automotive level.	
Moisture Sensitivity Level		SOIC16W	MSL3 ^{†††} 260°C (per IPC/JEDEC J-STD-020)
ESD	Machine Model	Class M2 (Pass +/-200V) (per AEC-Q100-003)	
	Human Body Model	Class H1B (Pass +/-1000V) (per AEC-Q100-002)	
	Charged Device Model	Class C4 (Pass +/-1000V) (per AEC-Q100-011)	
IC Latch-Up Test		Class II, Level A (per AEC-Q100-004)	
RoHS Compliant		Yes	

- † Qualification standards can be found at International Rectifier's web site <http://www.irf.com/>
- †† Exceptions to AEC-Q100 requirements are noted in the qualification report.
- ††† Higher MSL ratings may be available for the specific package types listed here. Please contact your International Rectifier sales representative for further information.

Absolute Maximum Ratings

Absolute Maximum Ratings indicate sustained limits beyond which damage to the device may occur. All voltage parameters are absolute voltages referenced to COM. The thermal resistance and power dissipation ratings are measured under board mounted and still air conditions.

Symbol	Definition	Min.	Max.	Units	
V _B	High-side floating supply voltage	(AUIRS2110)	-0.3	520 (†)	V
		(AUIRS2113)	-0.3	620 (†)	
V _S	High-side floating supply offset voltage	V _B - 20	V _B + 0.3		
V _{HO}	High-side floating output voltage	V _S - 0.3	V _B + 0.3		
V _{CC}	Low-side fixed supply voltage	-0.3	20		
V _{LO}	Low-side output voltage	-0.3	V _{CC} + 0.3		
V _{DD}	Logic supply voltage	-0.3	V _{SS} + 20 (†)		
V _{SS}	Logic supply offset voltage	V _{CC} - 20	V _{CC} + 0.3		
V _{IN}	Logic input voltage (HIN, LIN & SD)	V _{SS} - 0.3	V _{DD} + 0.3		
dV _S /dt	Allowable offset supply voltage transient (Fig. 2)	—	50	V/ns	
P _D	Package power dissipation @ TA ≤ 25°C	—	1.25	W	
Rth _{JA}	Thermal resistance, junction to ambient	—	100	°C/W	
T _J	Junction temperature	—	150	°C	
T _S	Storage temperature	-55	150		
T _L	Lead temperature (soldering, 10 seconds)	—	300		

† All supplies are fully tested at 25 V, and an internal 20 V clamp exists for each supply.

Recommended Operating Conditions

The input/output logic timing diagram is shown in Figure 1. For proper operation the device should be used within the recommended conditions. The V_S and V_{SS} offset rating are tested with all supplies biased at 15 V differential.

Symbol	Definition	Min.	Max.	Units	
V _B	High-side floating supply absolute voltage	V _S + 10	V _S + 20	V	
V _S	High-side floating supply offset voltage	(AUIRS2110)	†		500
		(AUIRS2113)	†		600
V _{HO}	High-side floating output voltage	V _S	V _B		
V _{CC}	Low-side fixed supply voltage	10	20		
V _{LO}	Low-side output voltage	0	V _{CC}		
V _{DD}	Logic supply voltage	V _{SS} + 3	V _{SS} + 20		
V _{SS}	Logic ground offset voltage	-5 (††)	5		
V _{IN}	Logic input voltage (HIN, LIN & SD)	V _{SS}	V _{DD}		
T _A	Ambient temperature	-40	125	°C	

† Logic operational for V_S of -4 V to +500 V. Logic state held for V_S of -4 V to -V_{BS}.
 (Please refer to the Design Tip DT97 -3 for more details).

†† When V_{DD} < 5 V, the minimum V_{SS} offset is limited to -V_{DD}.

Static Electrical Characteristics

Unless otherwise noted, these specifications apply for an operating junction temperature range of $-40^{\circ}\text{C} \leq T_j \leq 125^{\circ}\text{C}$ with bias conditions of $V_{\text{BIAS}} (V_{\text{CC}}, V_{\text{BS}}, V_{\text{DD}}) = 15 \text{ V}$, $V_{\text{SS}} = \text{COM}$. The V_{IL} , V_{TH} and I_{IN} parameters are referenced to V_{SS} and are applicable to all three logic input leads: HIN, LIN and SD. The V_{O} and I_{O} parameters are referenced to COM and are applicable to the respective output leads: HO or LO.

Symbol	Definition	Min	Typ	Max	Units	Test Conditions	
V_{IH}	Logic "1" input voltage	9.5	—	—	V		
V_{IL}	Logic "0" input voltage	—	—	6.0			
V_{OH}	High level output voltage, $V_{\text{BIAS}} - V_{\text{O}}$	—	—	1.4			$I_{\text{O}} = 0 \text{ A}$
V_{OL}	Low level output voltage, V_{O}	—	—	0.15			$I_{\text{O}} = 20 \text{ mA}$
I_{LK}	Offset supply leakage current	—	—	50	μA	$V_{\text{B}} = V_{\text{S}} = 500 \text{ V}/600 \text{ V}$	
I_{QBS}	Quiescent V_{BS} supply current	—	70	130		$V_{\text{IN}} = 0 \text{ V}$ or V_{DD}	
I_{QCC}	Quiescent V_{CC} supply current	—	125	230			
I_{QDD}	Quiescent V_{DD} supply current	—	5	30			
$I_{\text{IN+}}$	Logic "1" input bias current	—	20	40		$V_{\text{IN}} = V_{\text{DD}}$	
$I_{\text{IN-}}$	Logic "0" input bias current	—	—	5.0		$V_{\text{IN}} = 0 \text{ V}$	
$V_{\text{BSUV+}}$	V_{BS} supply undervoltage positive going threshold	7.5	8.6	9.7	V		
$V_{\text{BSUV-}}$	V_{BS} supply undervoltage negative going threshold	7.0	8.2	9.4			
$V_{\text{CCUV+}}$	V_{CC} supply undervoltage positive going threshold	7.4	8.5	9.6			
$V_{\text{CCUV-}}$	V_{CC} supply undervoltage negative going threshold	7.0	8.2	9.4			
$I_{\text{O+}}$	Output high short circuit pulsed current ^(†)	2.0	2.5	—	A	$V_{\text{O}} = 0 \text{ V}$, $V_{\text{IN}} = V_{\text{DD}}$ $\text{PW} \leq 10 \text{ us}$	
$I_{\text{O-}}$	Output low short circuit pulsed current ^(†)	2.0	2.5	—		$V_{\text{O}} = 15 \text{ V}$, $V_{\text{IN}} = 0 \text{ V}$ $\text{PW} \leq 10 \text{ us}$	

(†) Guaranteed by design

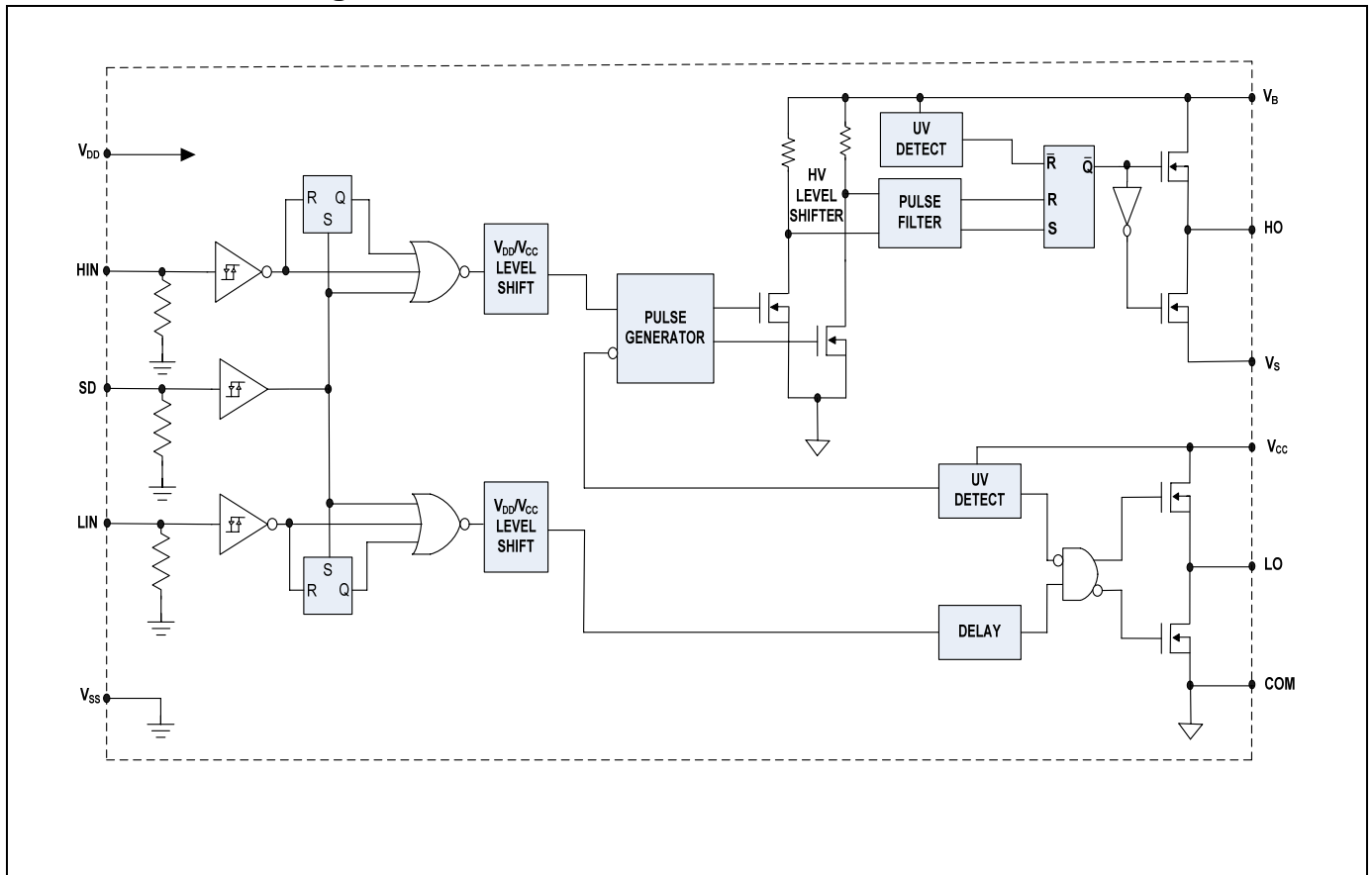
Dynamic Electrical Characteristics

Unless otherwise noted, these specifications apply for an operating junction temperature range of $-40^{\circ}\text{C} \leq T_j \leq 125^{\circ}\text{C}$ with bias conditions of $V_{\text{BIAS}} (V_{\text{CC}}, V_{\text{BS}}, V_{\text{DD}}) = 15 \text{ V}$, $C_{\text{L}} = 1000 \text{ pF}$, and $V_{\text{SS}} = \text{COM}$. The dynamic electrical characteristics are measured using the test circuit shown in Fig. 3.

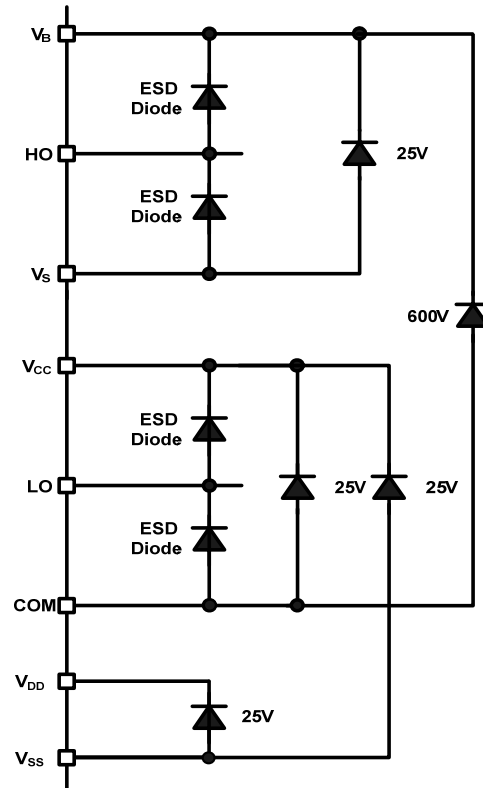
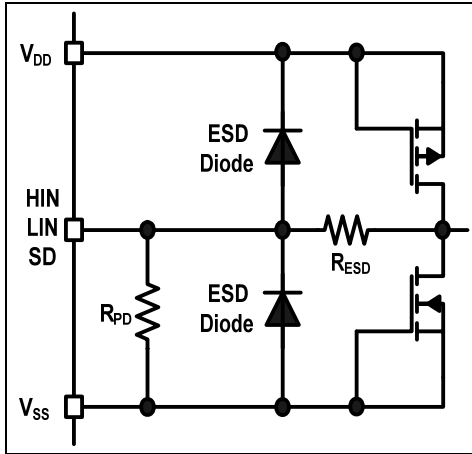
Symbol	Definition	Min	Typ	Max	Units	Test Conditions
t_{on}	Turn-on propagation delay	—	140	230	ns	$V_{\text{S}} = 0 \text{ V}$
t_{off}	Turn-off propagation delay	—	120	210		$V_{\text{S}} = 500 \text{ V}/600 \text{ V}$
t_{sd}	Shutdown propagation delay	—	125	220		
t_{r}	Turn-on rise time	—	25	40		
t_{f}	Turn-off fall time	—	15	30		
MT	Delay matching, HS & LS turn on/off	—	—	35		

Note: Please refer to figures in Parameter Temperature Trends section

Functional Block Diagram



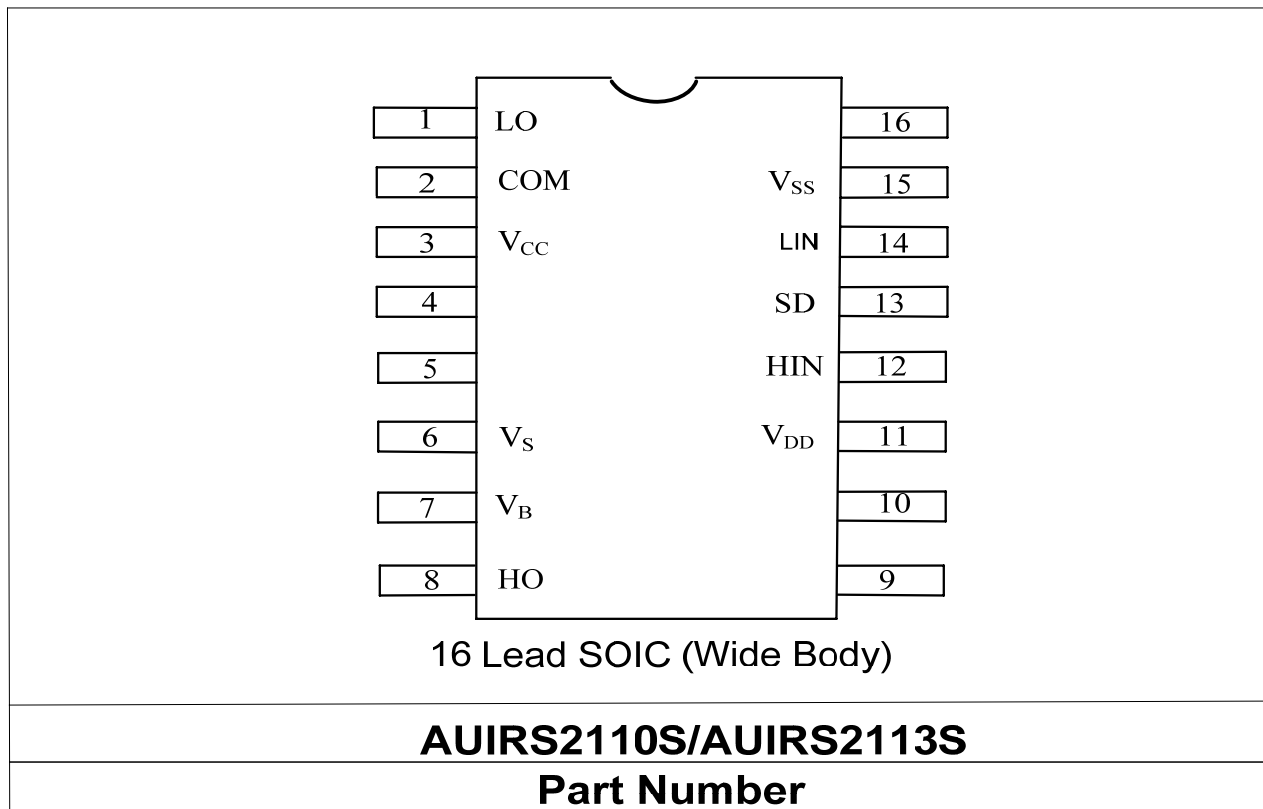
Input/Output Pin Equivalent Circuit Diagrams



Lead Definitions

Pin	Symbol	Description
1	LO	Low-side gate drive output
2	COM	Low-side return
3	V _{CC}	Low-side supply
4	NC	Not connected
5	NC	Not connected
6	V _S	High-side floating supply return
7	V _B	High-side floating supply
8	HO	High-side gate drive output
9	NC	Not connected
10	NC	Not connected
11	V _{DD}	Logic supply
12	HIN	Logic input for high-side gate driver output (HO), in phase
13	SD	Logic input for shutdown
14	LIN	Logic input for low-side gate driver output (LO), in phase
15	V _{SS}	Logic ground
16	NC	Not connected

Lead Assignments



Application Information and Additional Details

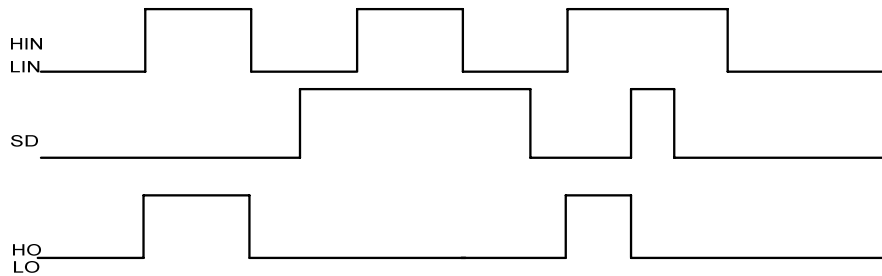


Figure 1: Input/Output Timing Diagram

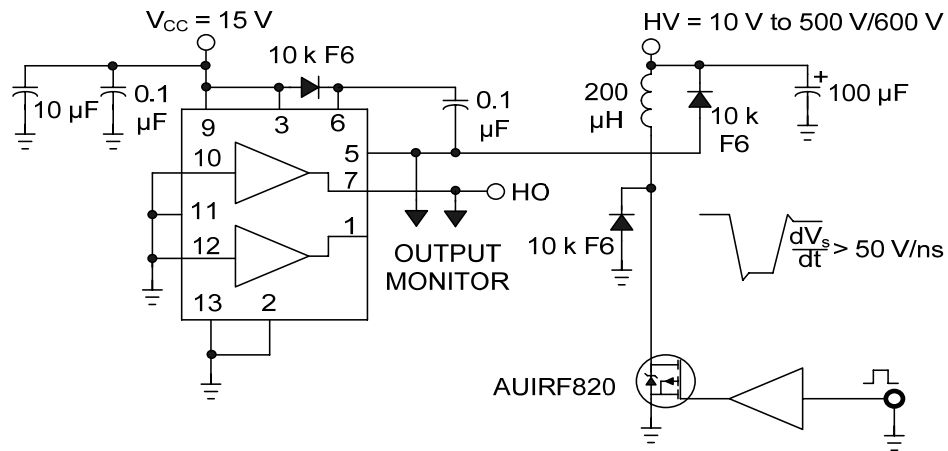


Figure 2: Floating Supply Voltage Transient Test Circuit

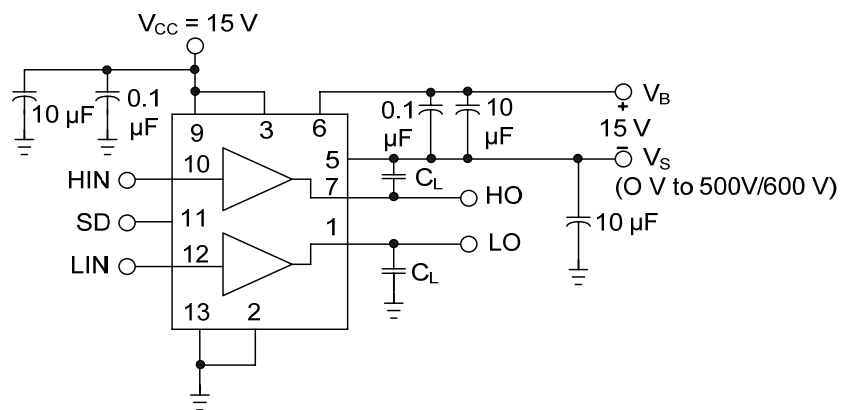


Figure 3: Switching Time Test Circuit

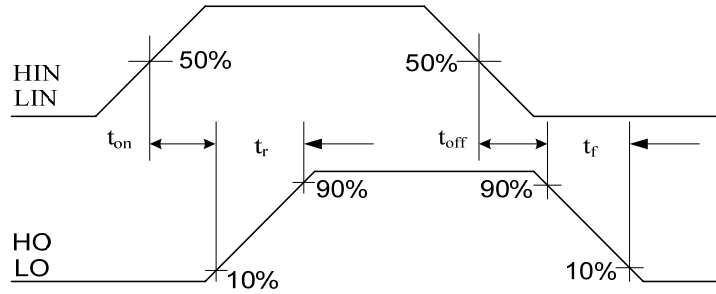


Figure 4: Switching Time Waveform Definitions

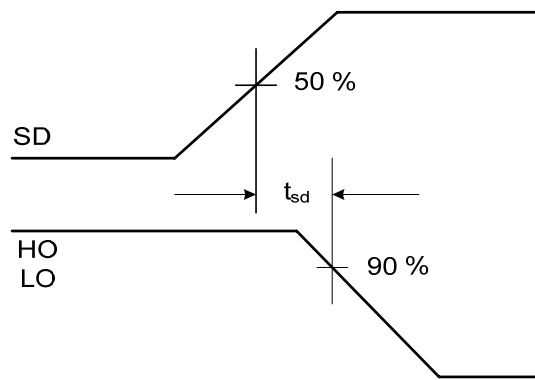


Figure 5: Shutdown Waveform Definitions

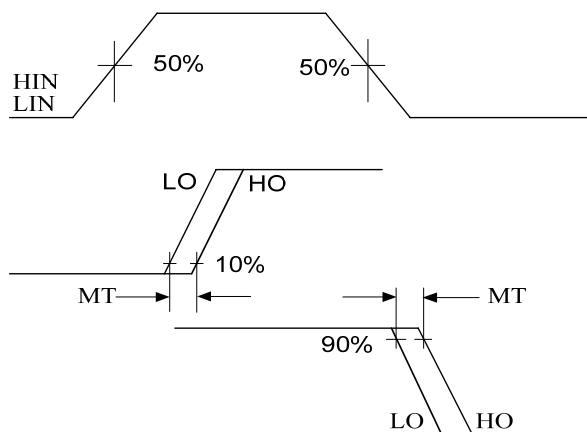


Figure 6: Delay Matching Waveform Definitions

Parameter Temperature Trends

Figures illustrated in this chapter provide information on the experimental performance of the AUIRS211(0,3)S HVIC. The line plotted in each figure is generated from actual lab data. A large number of individual samples were tested at three temperatures (-40 °C, 25 °C, and 125 °C) in order to generate the experimental curve. The line consists of three data points (one data point at each of the tested temperatures) that have been connected together to illustrate the understood trend. The individual data points on the Typ. curve were determined by calculating the averaged experimental value of the parameter (for a given temperature).

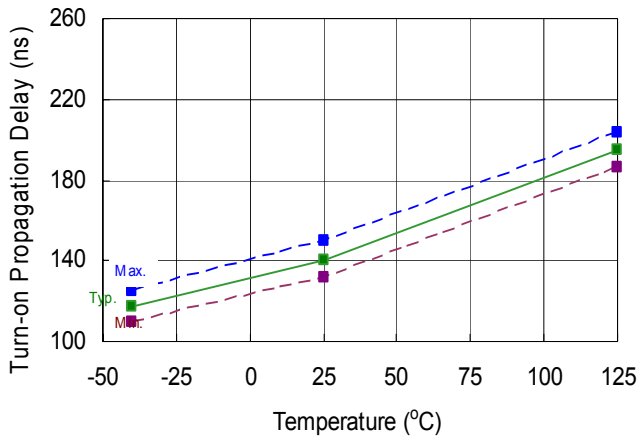


Figure 7. Turn-On Time vs. Temperature

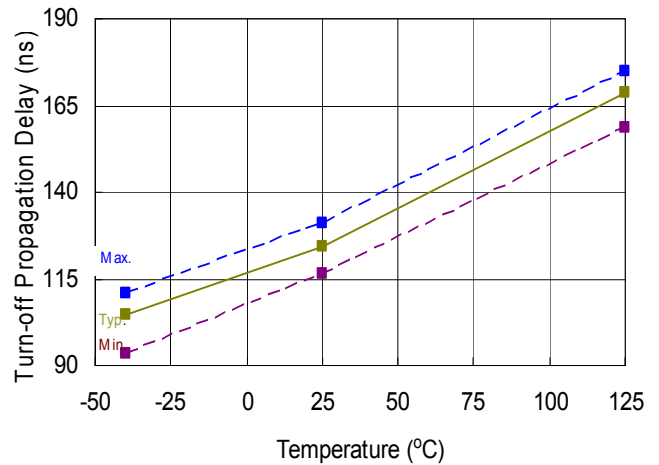


Figure 8. Turn-Off Time vs. Temperature

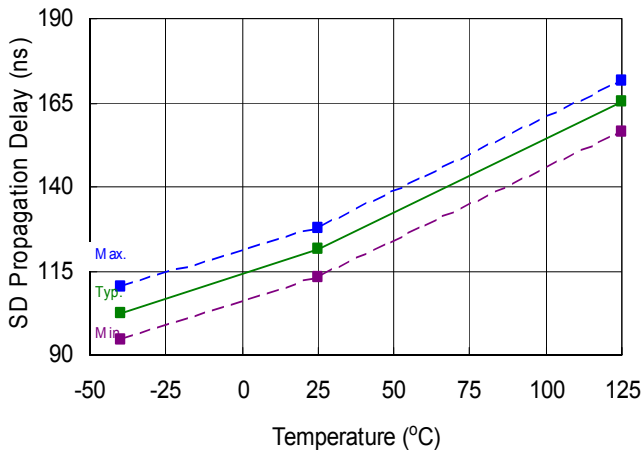


Figure 9. Shutdown Time vs. Temperature

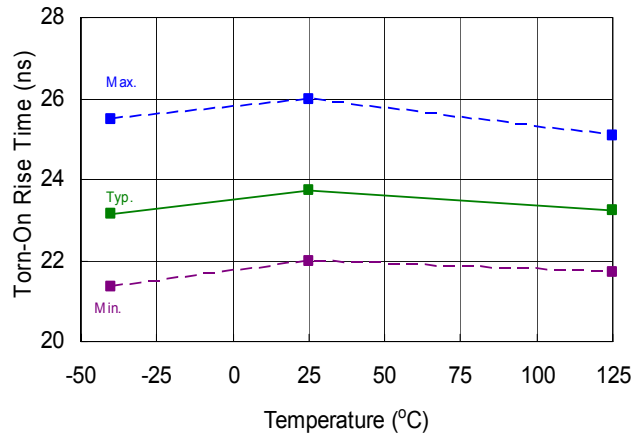


Figure 10. Turn-On Rise Time vs. Temperature

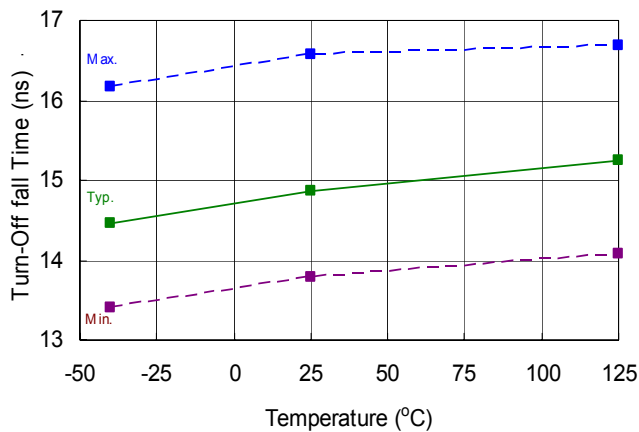


Figure 11. Turn-Off Fall Time vs. Temperature

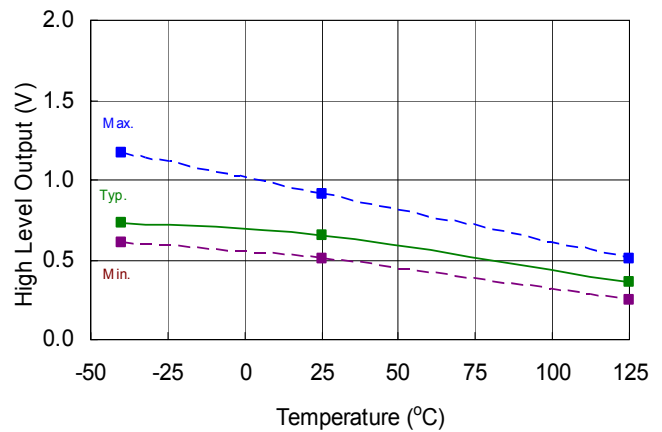


Figure 12. High Level Output Voltage vs. Temperature (I_o = 0 mA)

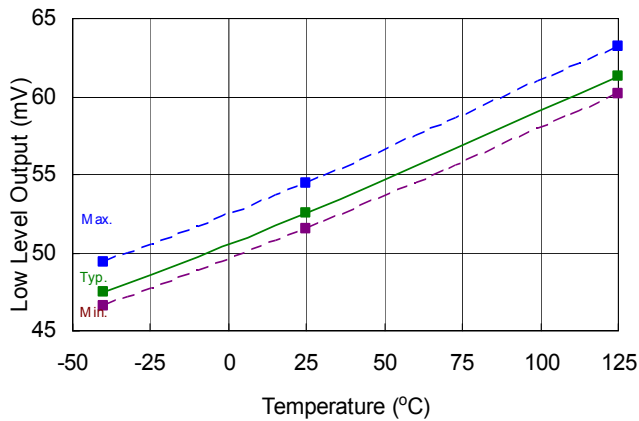


Figure 13. Low Level Output vs. Temperature

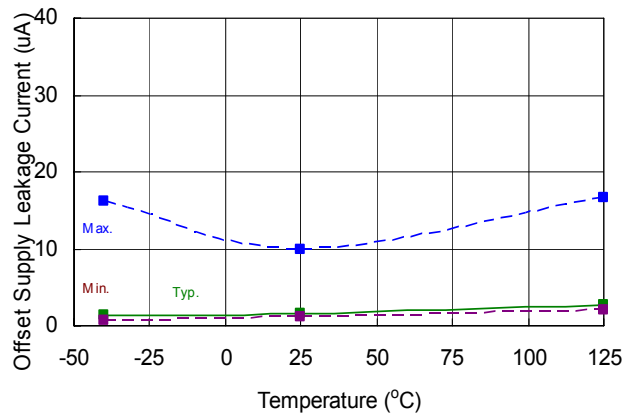


Figure 14. Offset Supply Current vs. Temperature

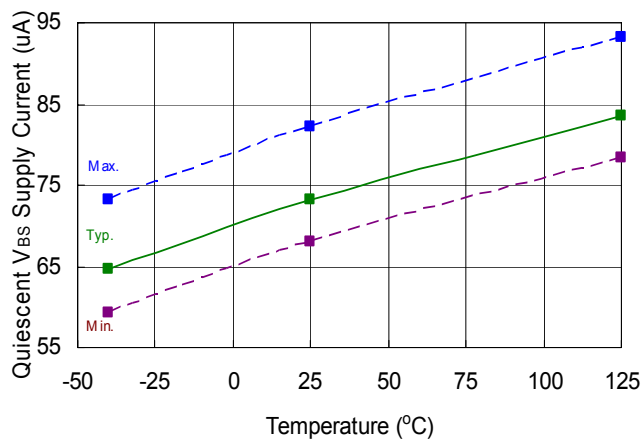


Figure 15. V_{BS} Supply Current vs. Temperature

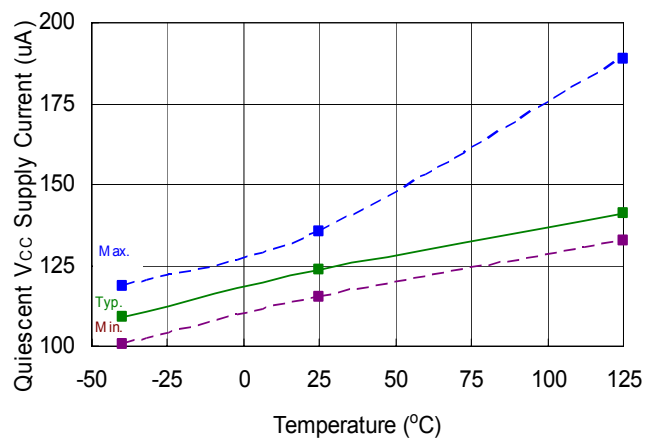


Figure 16. V_{CC} Supply Current vs. Temperature

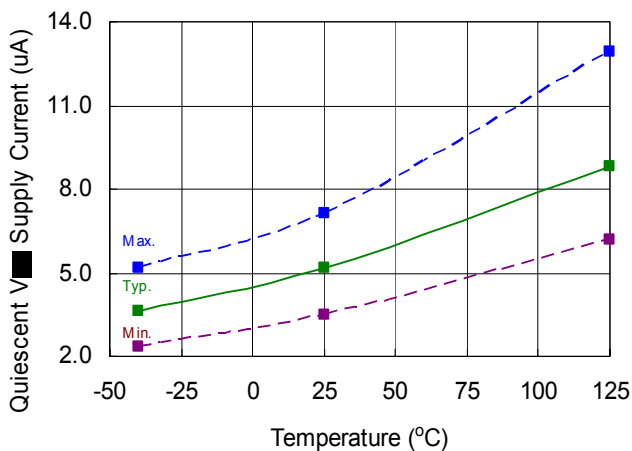


Figure 17. V_{DD} Supply Current vs. Temperature

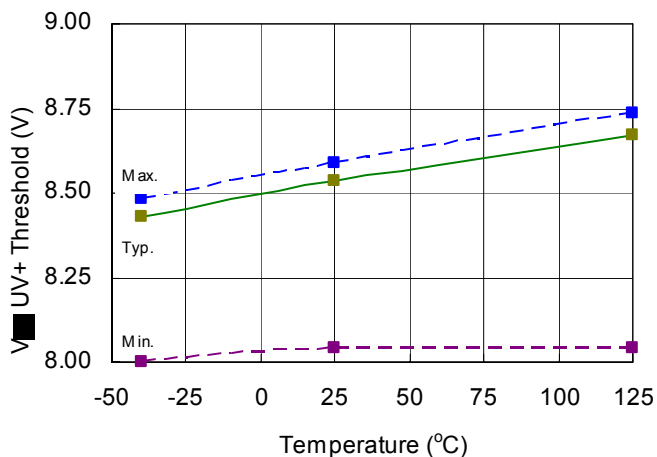


Figure 18. V_{BS} Undervoltage (+) vs. Temperature

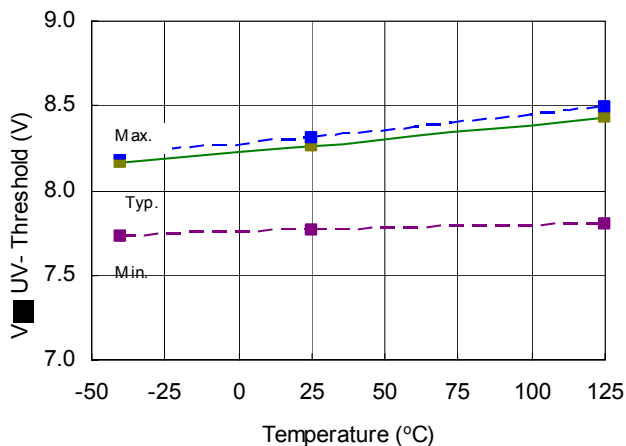


Figure 19. V_{BS} Undervoltage (-) vs. Temperature

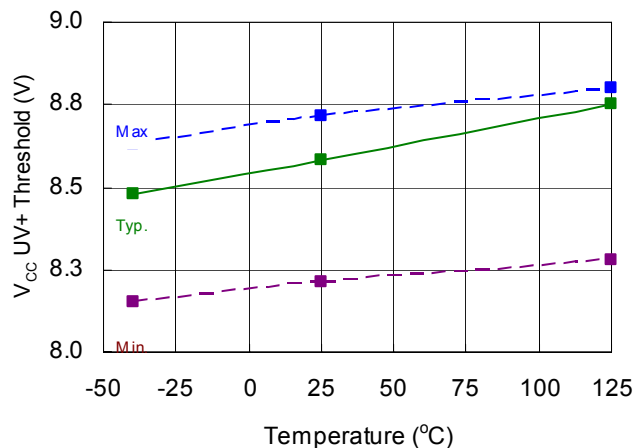


Figure 20. V_{CC} Undervoltage (+) vs. Temperature

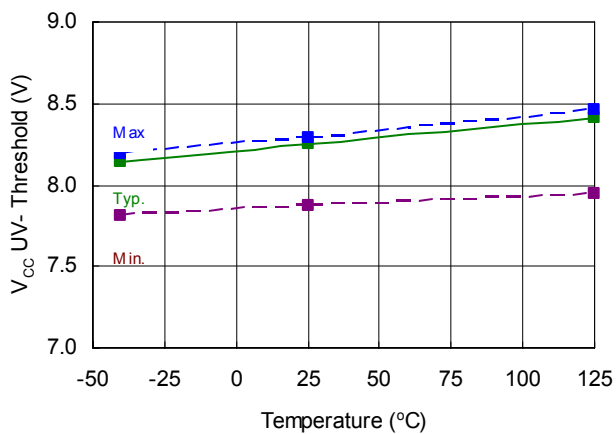
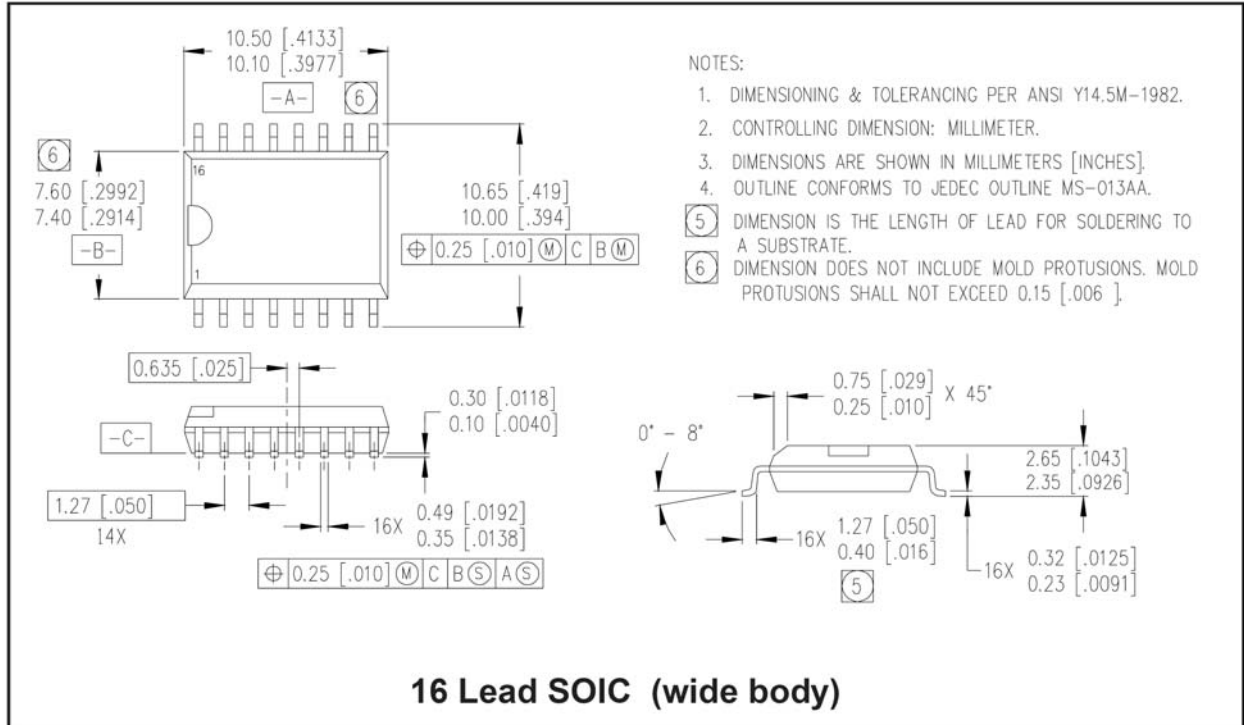
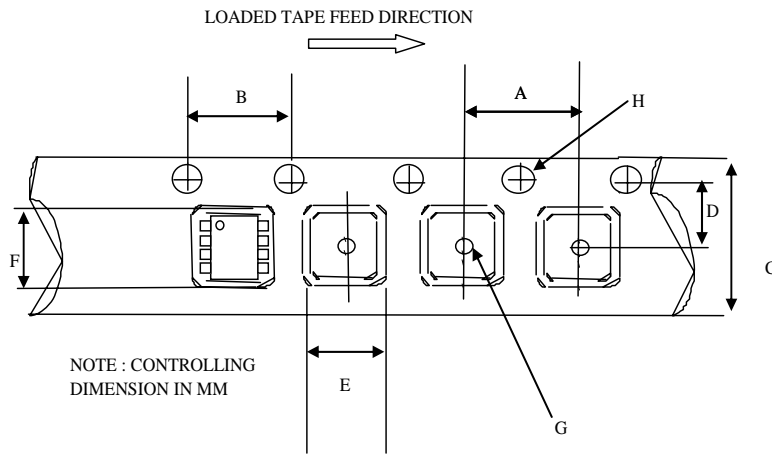


Figure 21. V_{CC} Undervoltage (-) vs. Temperature

Package Details: SOIC16WB

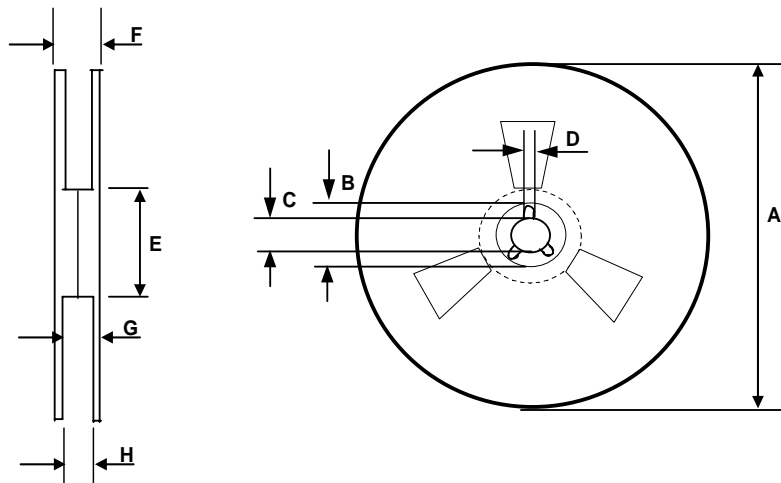


Tape and Reel Details: SOIC16WB



CARRIER TAPE DIMENSION FOR 16SOICN

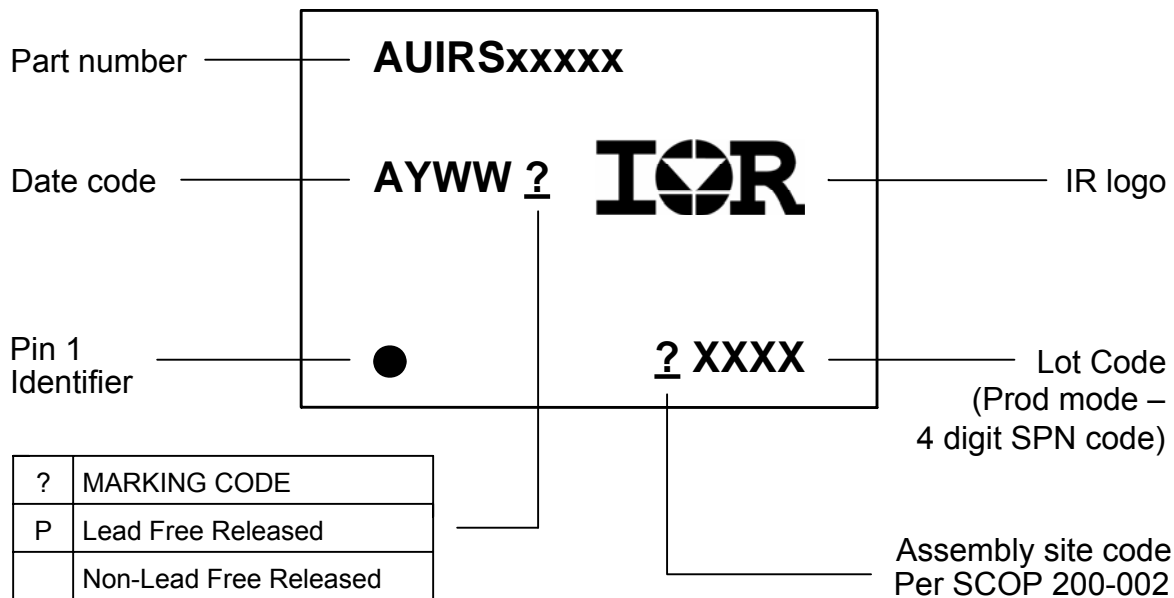
Code	Metric		Imperial	
	Min	Max	Min	Max
A	7.90	8.10	0.311	0.318
B	3.90	4.10	0.153	0.161
C	15.70	16.30	0.618	0.641
D	7.40	7.60	0.291	0.299
E	6.40	6.60	0.252	0.260
F	10.20	10.40	0.402	0.409
G	1.50	n/a	0.059	n/a
H	1.50	1.60	0.059	0.062



REEL DIMENSIONS FOR 16SOICN

Code	Metric		Imperial	
	Min	Max	Min	Max
A	329.60	330.25	12.976	13.001
B	20.95	21.45	0.824	0.844
C	12.80	13.20	0.503	0.519
D	1.95	2.45	0.767	0.096
E	98.00	102.00	3.858	4.015
F	n/a	22.40	n/a	0.881
G	18.50	21.10	0.728	0.830
H	16.40	18.40	0.645	0.724

Part Marking Information



Ordering Information

Base Part Number	Package Type	Standard Pack		Complete Part Number
		Form	Quantity	
AUIRS2110S	SOIC16W	Tube/Bulk	25	AUIRS2110S
		<i>Tape and Reel</i>	<i>1000</i>	AUIRS2110STR
AUIRS2113S	SOIC16W	Tube/Bulk	25	AUIRS2113S
		<i>Tape and Reel</i>	<i>1000</i>	AUIRS2113STR

IMPORTANT NOTICE

Unless specifically designated for the automotive market, International Rectifier Corporation and its subsidiaries (IR) reserve the right to make corrections, modifications, enhancements, improvements, and other changes to its products and services at any time and to discontinue any product or services without notice. Part numbers designated with the "AU" prefix follow automotive industry and / or customer specific requirements with regards to product discontinuance and process change notification. All products are sold subject to IR's terms and conditions of sale supplied at the time of order acknowledgment.

IR warrants performance of its hardware products to the specifications applicable at the time of sale in accordance with IR's standard warranty. Testing and other quality control techniques are used to the extent IR deems necessary to support this warranty. Except where mandated by government requirements, testing of all parameters of each product is not necessarily performed.

IR assumes no liability for applications assistance or customer product design. Customers are responsible for their products and applications using IR components. To minimize the risks with customer products and applications, customers should provide adequate design and operating safeguards.

Reproduction of IR information in IR data books or data sheets is permissible only if reproduction is without alteration and is accompanied by all associated warranties, conditions, limitations, and notices. Reproduction of this information with alterations is an unfair and deceptive business practice. IR is not responsible or liable for such altered documentation. Information of third parties may be subject to additional restrictions.

Resale of IR products or serviced with statements different from or beyond the parameters stated by IR for that product or service voids all express and any implied warranties for the associated IR product or service and is an unfair and deceptive business practice. IR is not responsible or liable for any such statements.

IR products are not designed, intended, or authorized for use as components in systems intended for surgical implant into the body, or in other applications intended to support or sustain life, or in any other application in which the failure of the IR product could create a situation where personal injury or death may occur. Should Buyer purchase or use IR products for any such unintended or unauthorized application, Buyer shall indemnify and hold International Rectifier and its officers, employees, subsidiaries, affiliates, and distributors harmless against all claims, costs, damages, and expenses, and reasonable attorney fees arising out of, directly or indirectly, any claim of personal injury or death associated with such unintended or unauthorized use, even if such claim alleges that IR was negligent regarding the design or manufacture of the product.

IR products are neither designed nor intended for use in military/aerospace applications or environments unless the IR products are specifically designated by IR as military-grade or "enhanced plastic." Only products designated by IR as military-grade meet military specifications. Buyers acknowledge and agree that any such use of IR products which IR has not designated as military-grade is solely at the Buyer's risk, and that they are solely responsible for compliance with all legal and regulatory requirements in connection with such use.

IR products are neither designed nor intended for use in automotive applications or environments unless the specific IR products are designated by IR as compliant with ISO/TS 16949 requirements and bear a part number including the designation "AU". Buyers acknowledge and agree that, if they use any non-designated products in automotive applications, IR will not be responsible for any failure to meet such requirements.

For technical support, please contact IR's Technical Assistance Center
<http://www.irf.com/technical-info/>

WORLD HEADQUARTERS:
233 Kansas St., El Segundo, California 90245
Tel: (310) 252-7105

Looking for pricing, stock, or lifecycle information?

Click below to explore more details on WIN SOURCE:

- ⊖ [View AUIRS2113S on WIN SOURCE](#)
- ⊖ [Infineon Technologies Information](#)

Optimize Your Supply Chain with WIN SOURCE Solutions

- ✓ Global Sourcing Solution
- ✓ Obsolete Management
- ✓ Cost Control Management
- ✓ Shortage Management
- ✓ Alternative Solution
- ✓ Excess Inventory Management