



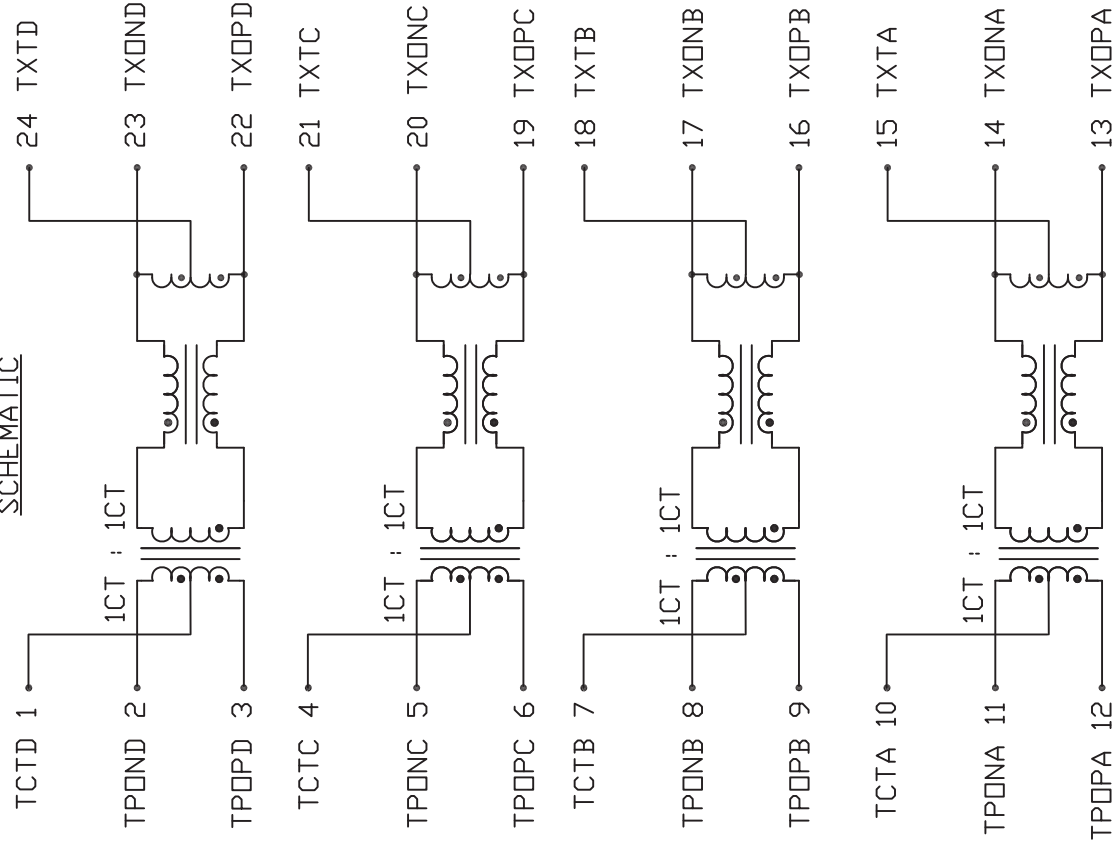
**THE DATASHEET OF**  
**S558-5999-P3-F**



THE INFORMATION CONTAINED HEREIN IS CONSIDERED "PROPRIETARY" TO BEL FUSE INC. AND SHALL NOT BE COPIED, REPRODUCED OR DISCLOSED WITHOUT THE WRITTEN APPROVAL OF BEL FUSE INC.

ELECTRICAL CHAR

SCHEMATIC



TURNS RATIO  
 PIN<3-1-2> : <22-24-23>  
 PIN<6-4-5> : <19-21-20>  
 PIN<9-7-8> : <16-18-17>  
 PIN<12-10-11> : <13-15-14>

DCL

INSERTION LOSS

RETURN LOSS

UNDER 100 OHMS±15% ENVIRONMENT

COMMON TO COMMON REJECTION

CROSSTALK

HIPOT

NOTES :

THIS PRODUCT HAS BEEN SUPPLIED TO JAPAN CUSTOMERS. PCN PROCESS TO COMPLY WITH 4M CRITERIA.

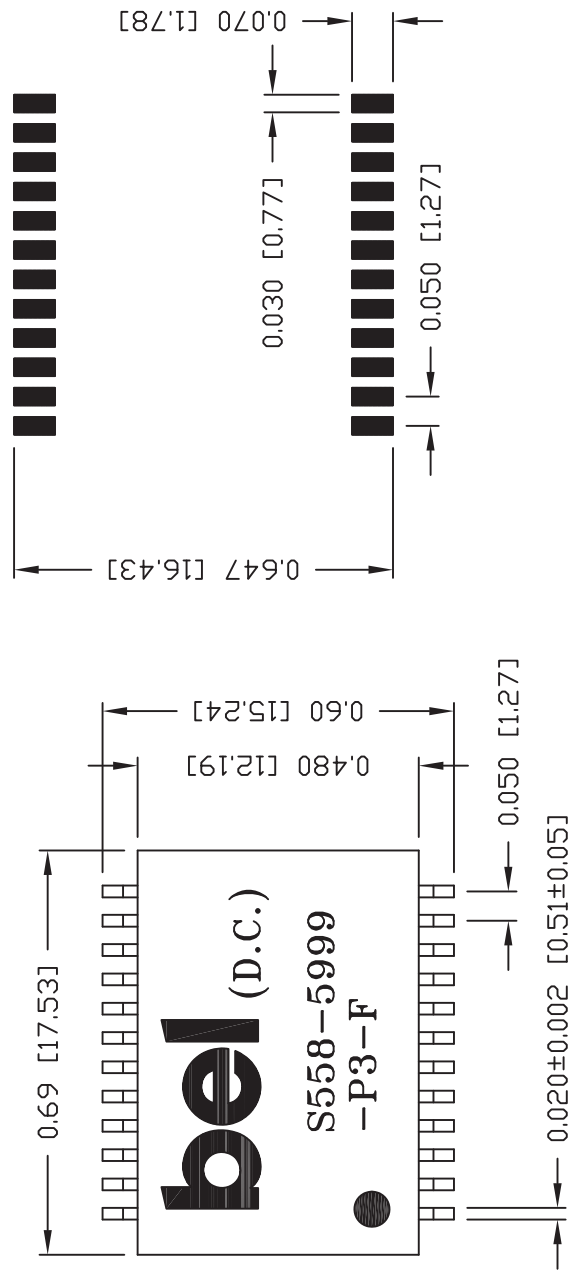
<b>ORIGINATED BY</b>		<b>DATE</b>		<b>TITLE</b>		<b>PART NO. / DRAWING NO.</b>		<b>STANDARD DIM. [ ]</b>	
Alice Pang		2015-07-16		ELECTRICAL SPECIFICATION		X5585999P3-F		TOL. IN INCH	
<b>DRAWN BY</b>		<b>DATE</b>		S558-5999-P3-F		<b>FILE NAME</b>		.X	
ZC Guo		2015-01-28				X5585999P3FD.DWG		.XX	
								.XXX	

DC002(2)120214

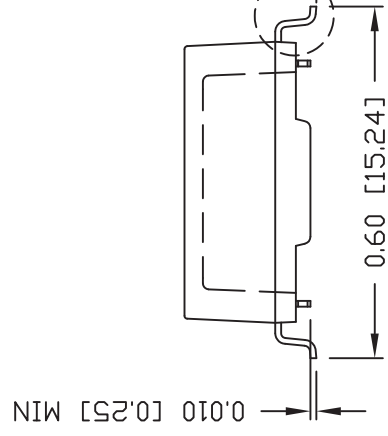
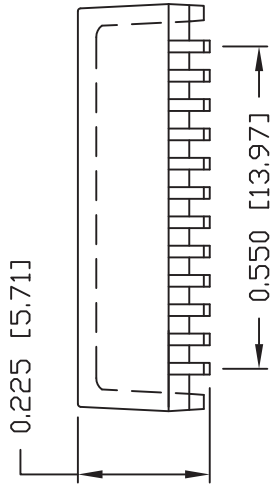
This document is electronically generated. This is a controlled copy if used

THE INFORMATION CONTAINED HEREIN IS CONSIDERED "PROPRIETARY" TO BEL FUSE INC. AND SHALL NOT BE COPIED, REPRODUCED OR DISCLOSED WITHOUT THE WRITTEN APPROVAL OF BEL FUSE INC.

SUGGESTED PCB PAD LAYOUT



ORIENT
TAPE WII
POCKET F
QUANTITY
PLASTIC
PLASTIC
COMPLY V



NOTES:

1. STANDARD MARKING REFER TO DOC. HAND-WORK-04.
2. PACKAGE CODE: "RQS001".
3. THIS PRODUCT HAS BEEN SUPPLYING TO JAPAN CUSTOMERS. PCN PROCESS NEEDS TO COMPLY WITH 4M CRITERIA.



<b>ORIGINATED BY</b>	<b>DATE</b>	<b>TITLE</b>	<b>PART NO. / DRAWING NO.</b>	<b>STANDARD DIM. [ ]</b>
Lawrence Tsang	2015-07-16	MECHANICAL OUTLINE	X5585999P3-F	TOL. IN INCH
<b>DRAWN BY</b>	<b>DATE</b>	S558-5999-P3-F	FILE NAME	.X ±0.01
ZC Guo	2015-07-16		X5585999P3FD.DWG	.XX ±0.01
				.XXX ±0.005

DC002(2)120214

This document is electronically generated. This is a controlled copy if used

## Looking for pricing, stock, or lifecycle information?

Click below to explore more details on WIN SOURCE:

-  [View S558-5999-P3-F on WIN SOURCE](#)
-  [Bel Fuse Inc. Information](#)

## Optimize Your Supply Chain with WIN SOURCE Solutions

-  Global Sourcing Solution
-  Obsolete Management
-  Cost Control Management
-  Shortage Management
-  Alternative Solution
-  Excess Inventory Management