



**THE DATASHEET OF
BU4015BF-E2**



Dual 4-bit static shift register

BU4015B / BU4015BF

The BU4015B and BU4015BF are 4-stage static shift registers, each consisting of two circuits.

The D flip-flops for each stage share a common reset input, enabling external asynchronous reset at any point.

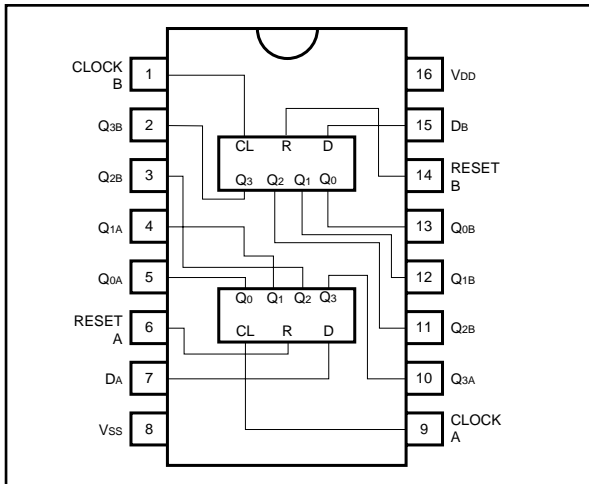
Also, the flip-flops at each stage are triggered by the rising edge of the clock input.

“H” level reset input resets the contents of all stages to “L”, regardless of the clock and data input, and sets data outputs Q0 to Q3 to “L”.

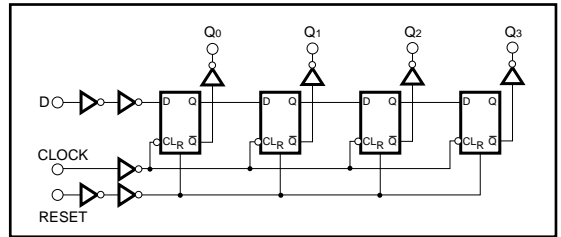
●Features

- 1) Low power dissipation.
- 2) Wide range of operating power supply voltages.
- 3) High input impedance.
- 4) High fan-out.
- 5) Direct drive of 2 L-TTL inputs and 1 LS-TTL input.

●Block diagram



●Logic circuit diagram



●Truth table

CLOCK	D	RESET	Q ₀	Q ₁	Q ₂	Q ₃
	L	L	L	Q ₀	Q ₁	Q ₂
	H	L	H	Q ₀	Q ₁	Q ₂
	X	L	No Change			
X	X	H	L	L	L	L

X : Irrelevant

●Absolute maximum ratings ($V_{SS} = 0V$, $T_a = 25^\circ C$)

Parameter	Symbol	Limits	Unit
Power supply voltage	V_{DD}	- 0.3 ~ + 18	V
Power dissipation	P_d	1000 (DIP), 500 (SOP)	mW
Operating temperature	T_{opr}	- 40 ~ + 85	$^\circ C$
Storage temperature	T_{stg}	- 55 ~ + 150	$^\circ C$
Input voltage	V_{IN}	- 0.3 ~ $V_{DD} + 0.3$	V

●Electrical characteristics

DC characteristics (unless otherwise noted, $T_a = 25^\circ C$, $V_{SS} = 0V$)

Parameter	Symbol	Min.	Typ.	Max.	Unit	Conditions	
						V_{DD} (V)	
Input high level voltage	V_{IH}	3.5	—	—	V	5	—
		7.0	—	—		10	
		11.0	—	—		15	
Input low level voltage	V_{IL}	—	—	1.5	V	5	—
		—	—	3.0		10	
		—	—	4.0		15	
Input high level current	I_{IH}	—	—	0.3	μA	15	$V_{IH} = 15V$
Input low level current	I_{IL}	—	—	- 0.3	μA	15	$V_{IL} = 0V$
Output high level voltage	V_{OH}	4.95	—	—	V	5	$I_o = 0mA$
		9.95	—	—		10	
		14.95	—	—		15	
Output low level voltage	V_{OL}	—	—	0.05	V	5	$I_o = 0mA$
		—	—	0.05		10	
		—	—	0.05		15	
Output high level current	I_{OH}	- 0.16	—	—	mA	5	$V_{OH} = 4.6V$
		- 0.4	—	—		10	$V_{OH} = 9.5V$
		- 1.2	—	—		15	$V_{OH} = 13.5V$
Output low level current	I_{OL}	0.44	—	—	mA	5	$V_{OL} = 0.4V$
		1.1	—	—		10	$V_{OL} = 0.5V$
		3.0	—	—		15	$V_{OL} = 1.5V$
Static current dissipation	I_{DD}	—	—	20	μA	5	$V_I = V_{DD}$ or GND
		—	—	40		10	
		—	—	80		15	

Switching characteristics (unless otherwise noted, $T_a = 25^\circ\text{C}$, $V_{SS} = 0\text{V}$, $C_L = 50\text{pF}$)

Parameter	Symbol	Min.	Typ.	Max.	Unit	V _{DD} (V)	Conditions
Output rise time	t _{TLH}	—	180	—	ns	5	—
		—	90	—		10	
		—	65	—		15	
Output fall time	t _{THL}	—	100	—	ns	5	—
		—	50	—		10	
		—	40	—		15	
Propagation delay time, CLOCK, D→Q	t _{PLH} t _{PHL}	—	310	—	ns	5	—
		—	125	—		10	
		—	90	—		15	
Propagation delay time, RESET to Q	t _{PLH} t _{PHL}	—	460	—	ns	5	—
		—	180	—		10	
		—	120	—		15	
Setup time	t _{su}	—	100	—	ns	5	—
		—	50	—		10	
		—	40	—		15	
Minimum clock pulse width	t _{WH (CLK)}	—	185	—	ns	5	—
		—	85	—		10	
		—	55	—		15	
Minimum reset pulse width	t _{WH (R)}	—	200	—	ns	5	—
		—	80	—		10	
		—	60	—		15	
Maximum clock frequency	f _{(CLK) Max.}	—	20	—	MHz	5	—
		—	6.0	—		10	
		—	7.5	—		15	
Maximum clock rise time and fall time	t _{r (CLK)} t _{f (CLK)}	—	100	—	μs	5	—
		—	40	—		10	
		—	15	—		15	
Input capacitance	C _{IN}	—	5	—	pF	—	—

● Measurement circuits

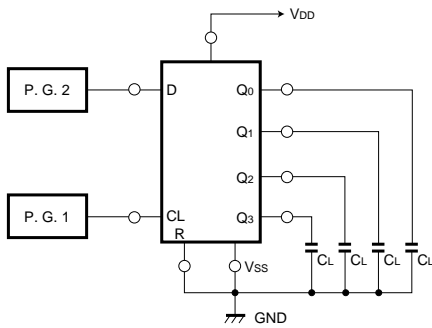


Fig.1 Switching characteristics measurement circuit

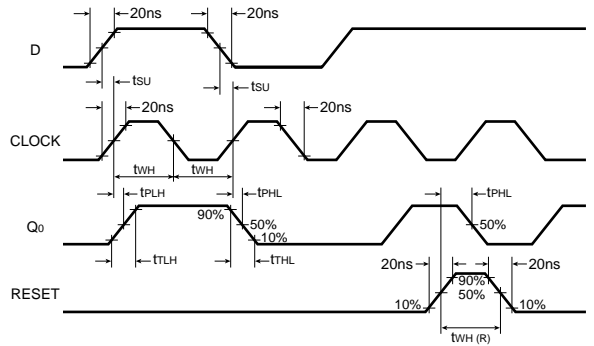


Fig.2 Switching time measurement waveform

● Electrical characteristic curve

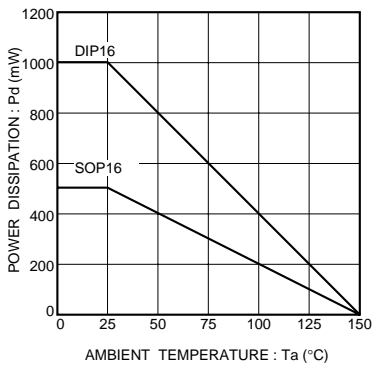
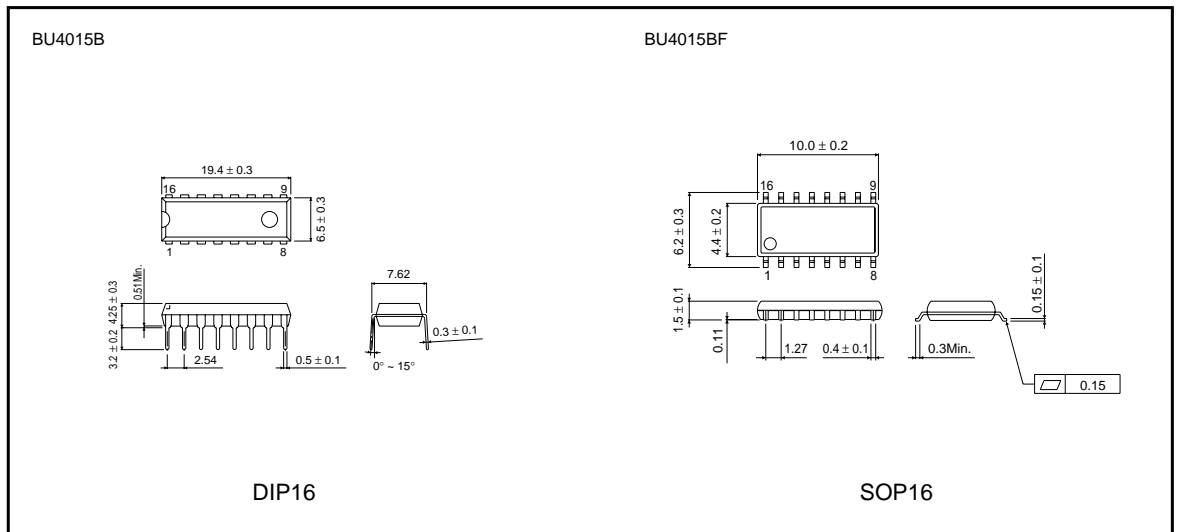


Fig.3 Power dissipation vs. ambient temperature

● External dimensions (Units: mm)



Notes

- No technical content pages of this document may be reproduced in any form or transmitted by any means without prior permission of ROHM CO.,LTD.
- The contents described herein are subject to change without notice. The specifications for the product described in this document are for reference only. Upon actual use, therefore, please request that specifications to be separately delivered.
- Application circuit diagrams and circuit constants contained herein are shown as examples of standard use and operation. Please pay careful attention to the peripheral conditions when designing circuits and deciding upon circuit constants in the set.
- Any data, including, but not limited to application circuit diagrams information, described herein are intended only as illustrations of such devices and not as the specifications for such devices. ROHM CO.,LTD. disclaims any warranty that any use of such devices shall be free from infringement of any third party's intellectual property rights or other proprietary rights, and further, assumes no liability of whatsoever nature in the event of any such infringement, or arising from or connected with or related to the use of such devices.
- Upon the sale of any such devices, other than for buyer's right to use such devices itself, resell or otherwise dispose of the same, no express or implied right or license to practice or commercially exploit any intellectual property rights or other proprietary rights owned or controlled by
- ROHM CO., LTD. is granted to any such buyer.
- Products listed in this document use silicon as a basic material.
Products listed in this document are no antiradiation design.

The products listed in this document are designed to be used with ordinary electronic equipment or devices (such as audio visual equipment, office-automation equipment, communications devices, electrical appliances and electronic toys).

Should you intend to use these products with equipment or devices which require an extremely high level of reliability and the malfunction of which would directly endanger human life (such as medical instruments, transportation equipment, aerospace machinery, nuclear-reactor controllers, fuel controllers and other safety devices), please be sure to consult with our sales representative in advance.



About Export Control Order in Japan

Products described herein are the objects of controlled goods in Annex 1 (Item 16) of Export Trade Control Order in Japan.

In case of export from Japan, please confirm if it applies to "objective" criteria or an "informed" (by MITI clause) on the basis of "catch all controls for Non-Proliferation of Weapons of Mass Destruction.

Looking for pricing, stock, or lifecycle information?

Click below to explore more details on WIN SOURCE:

-  [View BU4015BF-E2 on WIN SOURCE](#)
-  [Rohm Semiconductor Information](#)

Optimize Your Supply Chain with WIN SOURCE Solutions

-  Global Sourcing Solution
-  Obsolete Management
-  Cost Control Management
-  Shortage Management
-  Alternative Solution
-  Excess Inventory Management