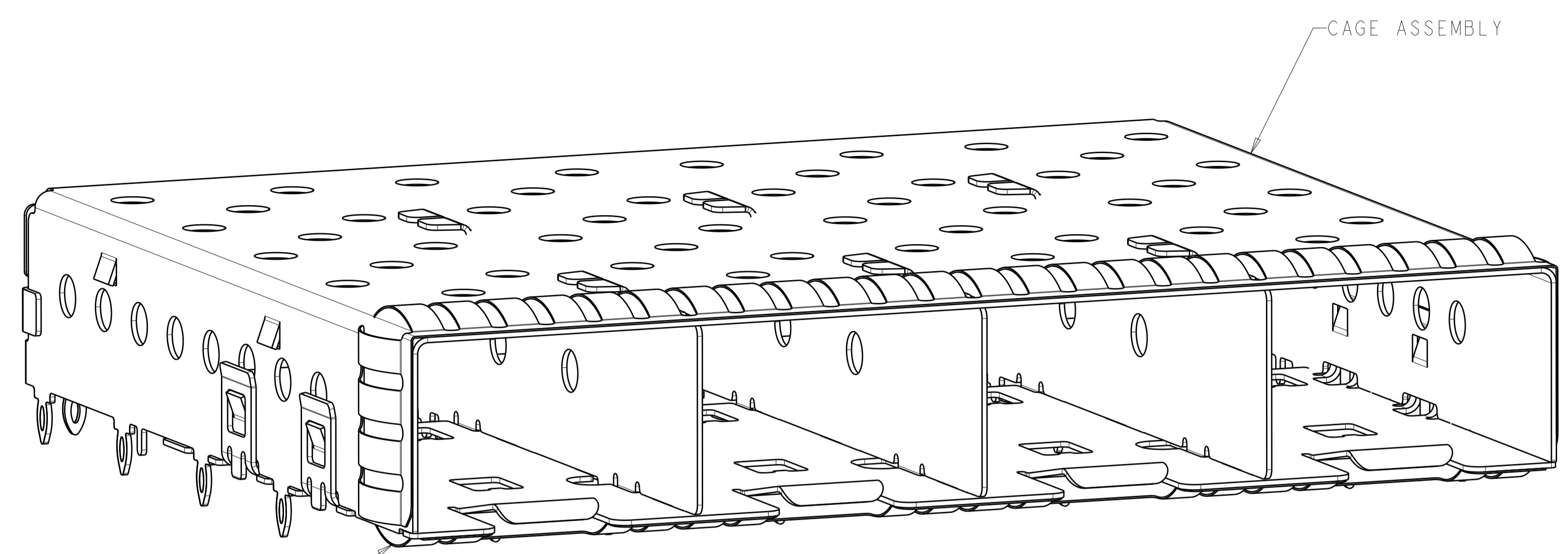




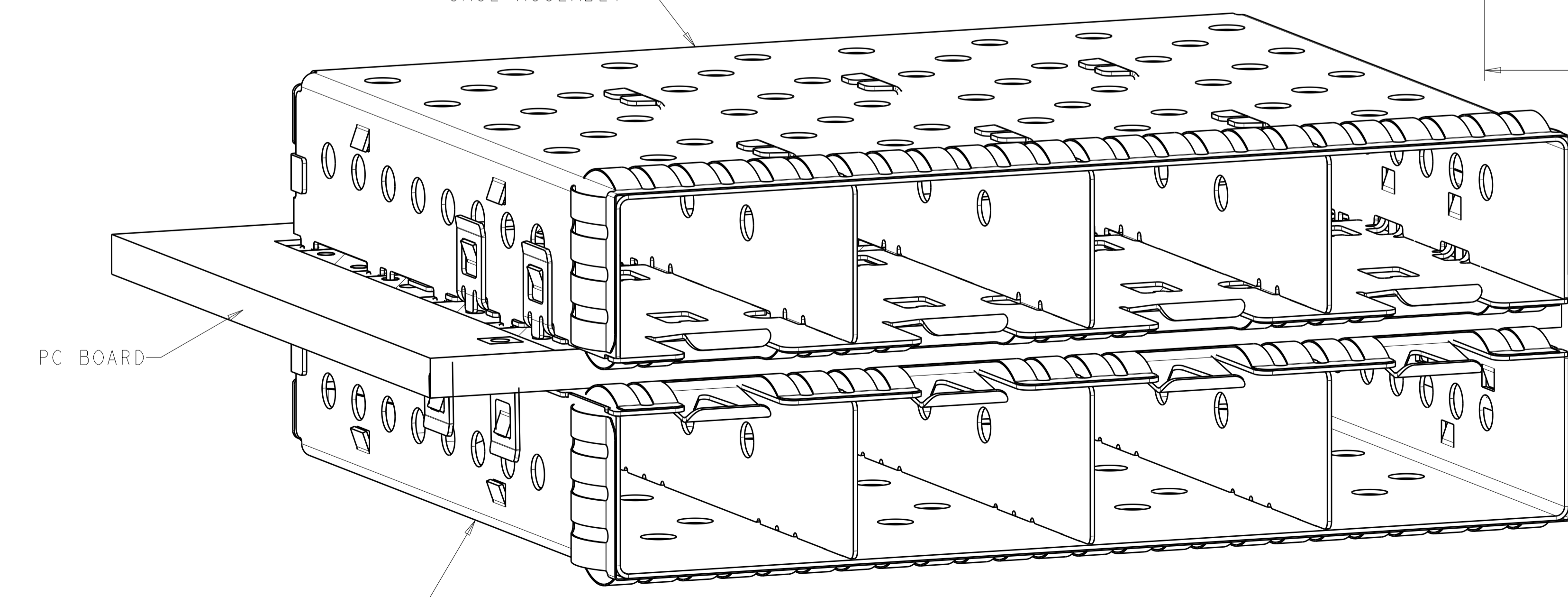
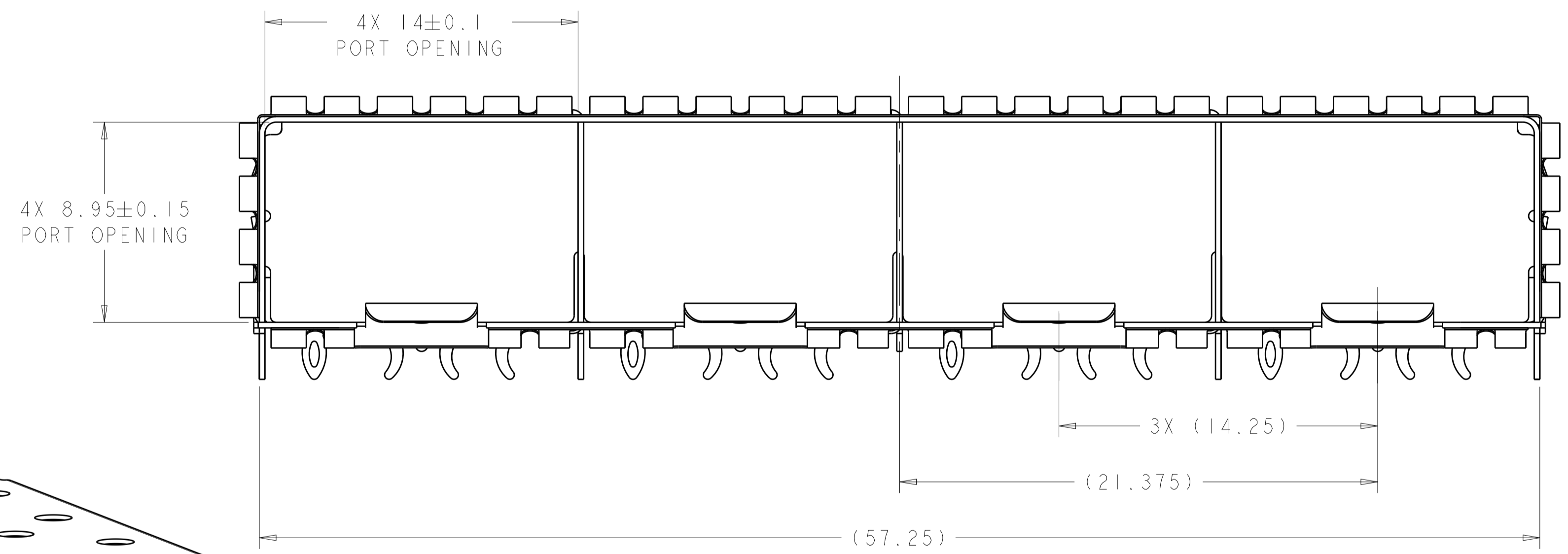
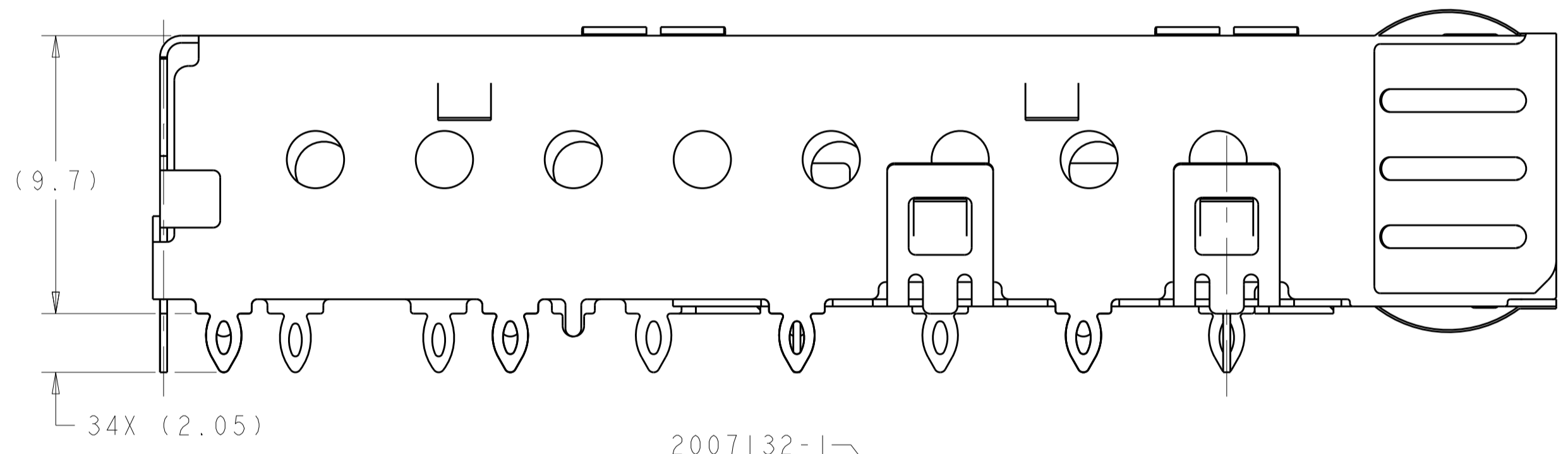
THE DATASHEET OF
2007132-1



LOC	DIST	REVISIONS					
GP	00	P	LTN	DESCRIPTION	DATE	DWN	APVD
		C		REVISED PER ECO-11-024172	07DEC2011	TX	AC
		D		REVISED PER ECO-12-014021	29NOV2012	TD	AC
		D1		REVISED PER ECO-14-000741	16JAN2014	PP	SH
		D2		REVISED PER ECO-15-012198	04AUG2015	KQ	SH



- 1 MATERIAL: CAGE ASSEMBLY: 0.25mm THICK NICKEL SILVER ALLOY.
EMI SPRINGS: COPPER ALLOY
- 2 FINISH
SPRINGS: MINIMUM OF 0.8um MATTE TIN PLATED OVER A MINIMUM OF 0.8um NICKEL UNDERPLATE.
NON-PLATED EDGES PERMISSIBLE.
- 3 PADS AND VIAS CHASSIS GROUND.
- 4 DATUM AND BASIC DIMENSION ESTABLISHED BY CUSTOMER.
- 5. MATES WITH SFP MSA COMPLIANT TRANSCEIVERS.
- 6. INTERPRETATION OF DATUM REFERENCE FRAME IN ACCORDANCE WITH SECT 4.4.1.1 OF ASME Y14.5M-1994.
- 7 REFERENCE APPLICATION SPEC. 114-13120, HOLE A, FOR RECOMMENDED DRILL HOLE DIAMETER AND PLATING THICKNESS.
- 8 REFERENCE APPLICATION SPEC. 114-13120, HOLE B, FOR RECOMMENDED DRILL HOLE DIAMETER AND PLATING THICKNESS.
- 9 HOLE PATTERN REPEATS FOR EACH PORT. SPACING BETWEEN PORTS IS 14.25mm.
- 10 MINIMUM PCB THICKNESS:
SINGLE SIDED = 1.50
DOUBLE SIDED = 2.25
- 11. CERTAIN MATING TRANSCEIVERS MAY REQUIRE ADDITIONAL PCB THICKNESS THAT WOULD NEED TO BE DETERMINED BY THE CUSTOMER.
- 12. PRODUCT COMPLIES WITH WITH SPECIFICATION SFF-8433 IMPROVED PLUGGABLE FORM FACTOR FOR SFP+ GANGED CAGES.

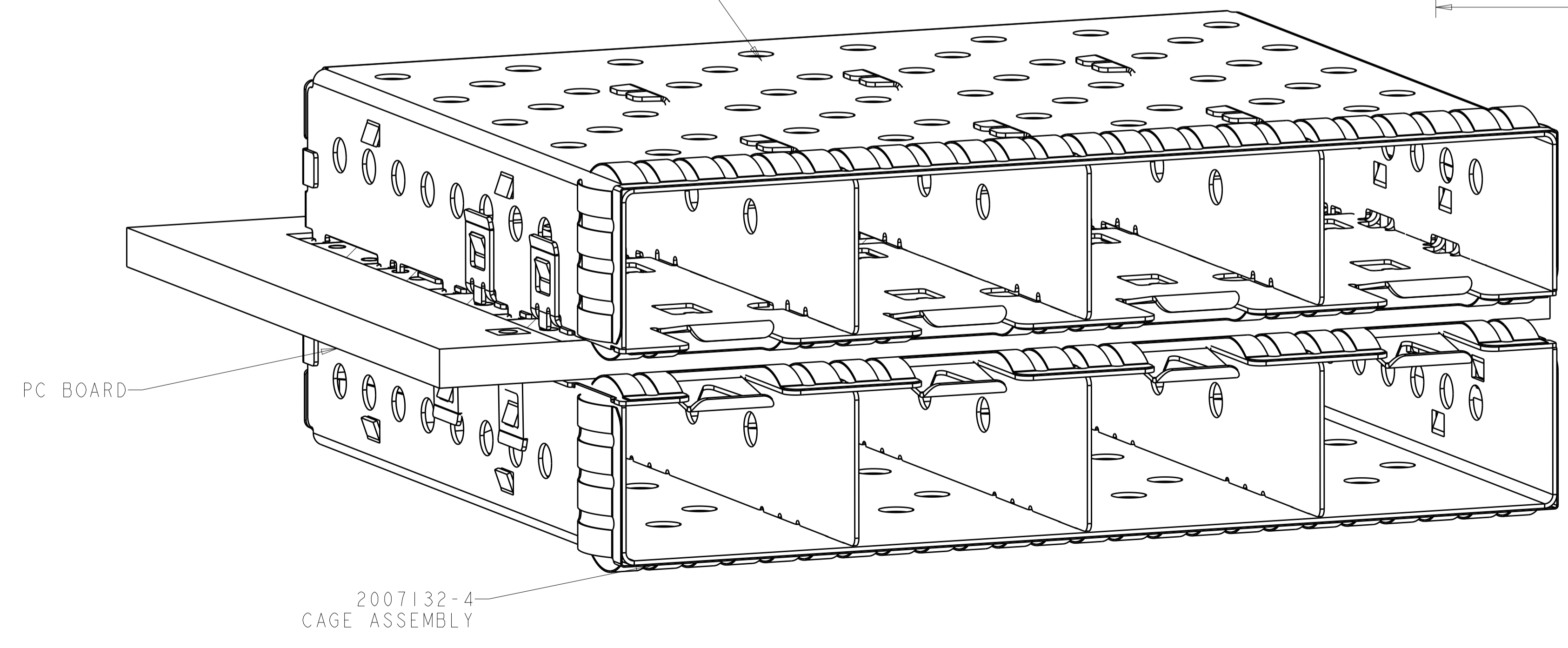
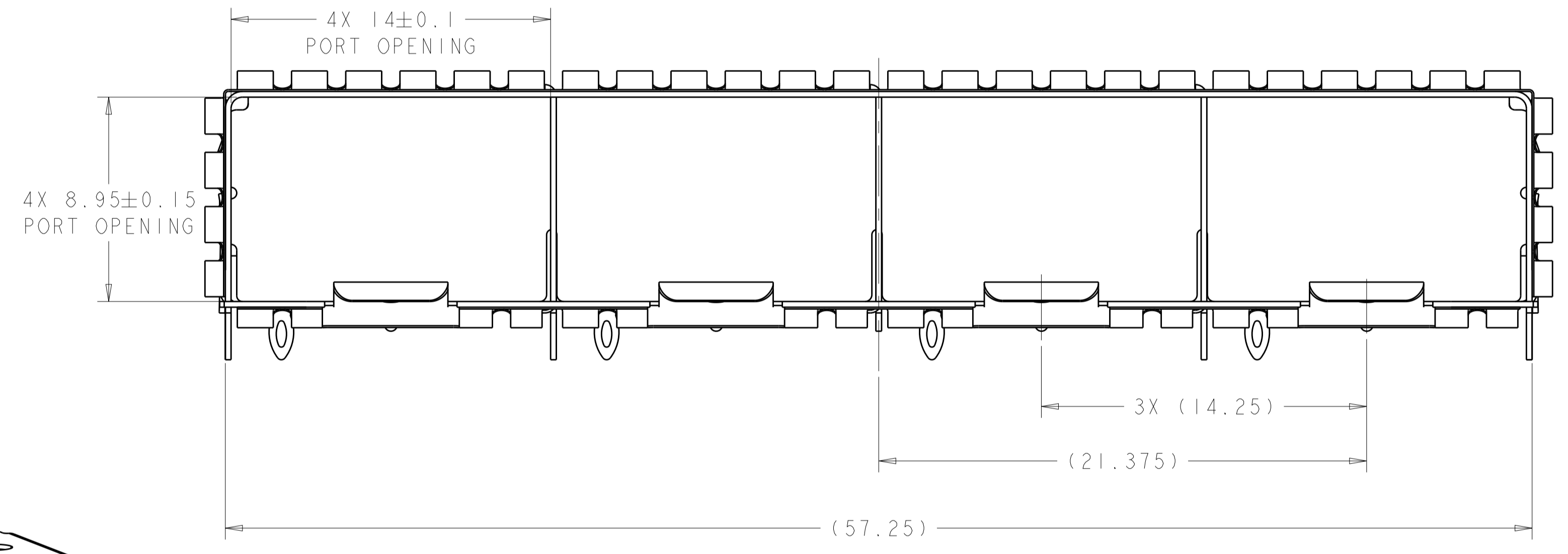
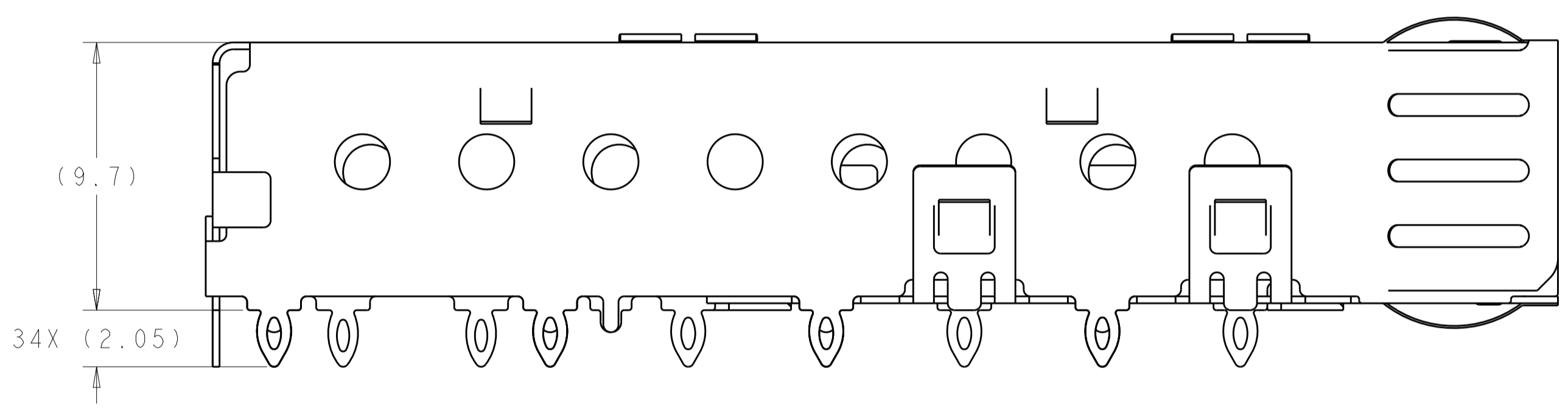
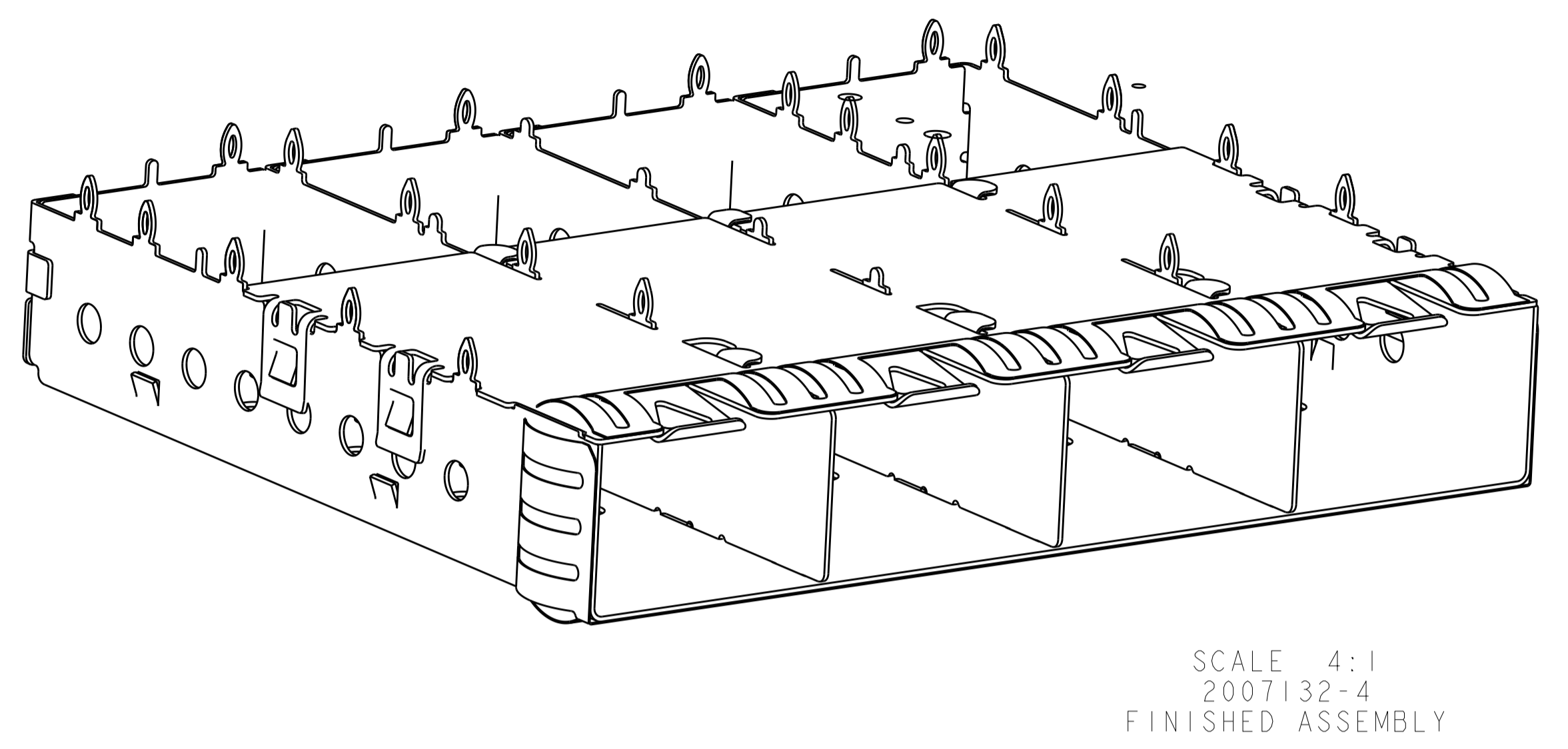
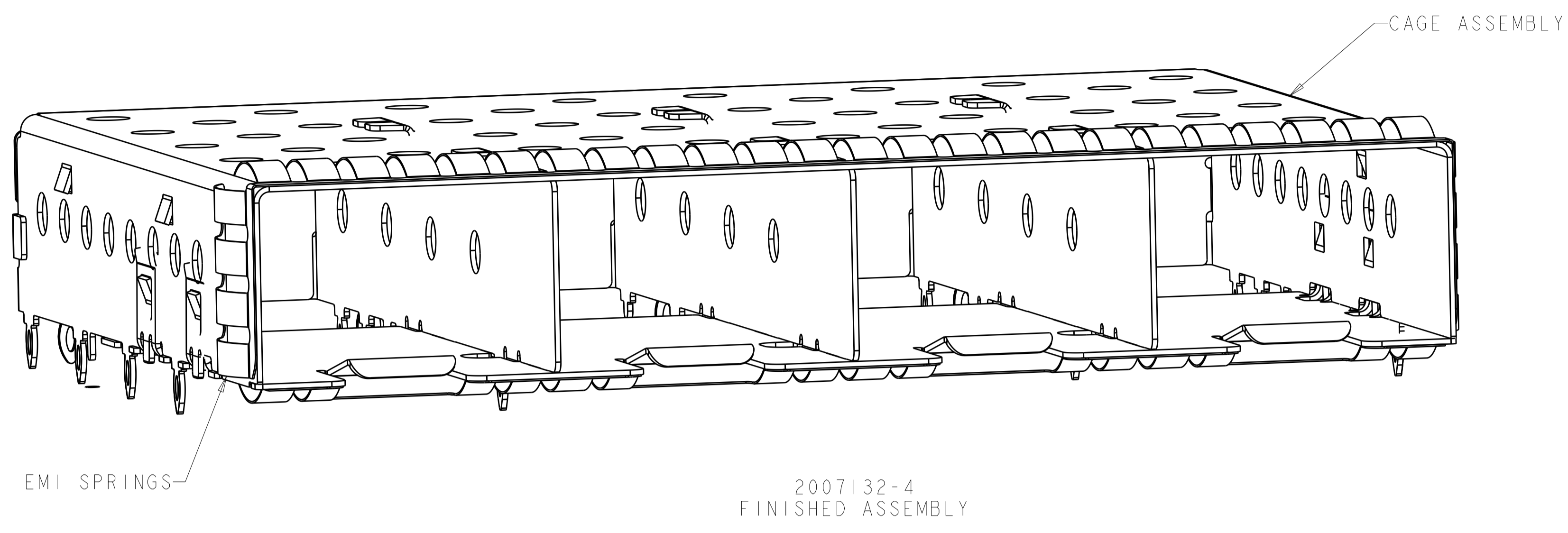


2007132-1 MOUNTED BELLYTO BELLY ON PCB
SCALE 5:1

2007132-1
PART NUMBER

THIS DRAWING IS A CONTROLLED DOCUMENT.		DWN M. SCHMITT 21JUN2007	TE Connectivity NAME SFP+ 1X4 CAGE ASSEMBLY PRESS FIT, EXTERNAL EMI SPRINGS
DIMENSIONS:		CHK M. SCHMITT 21JUN2007	
TOLERANCES UNLESS OTHERWISE SPECIFIED:		APVD B. WERTZ 21JUN2007	
mm		PRODUCT SPEC 108-2364	
0 PLC ±0.1 1 PLC ±0.1 2 PLC ±0.1 3 PLC ±0.1 4 PLC ±0.1 ANGLES ±1°		APPLICATION SPEC 114-13120	SIZE CAGE CODE DRAWING NO RESTRICTED TO
MATERIAL		WEIGHT	A100779C=2007132
FINISH		Customer Drawing	SCALE 2:1 SHEET 1 OF 10 REV D2

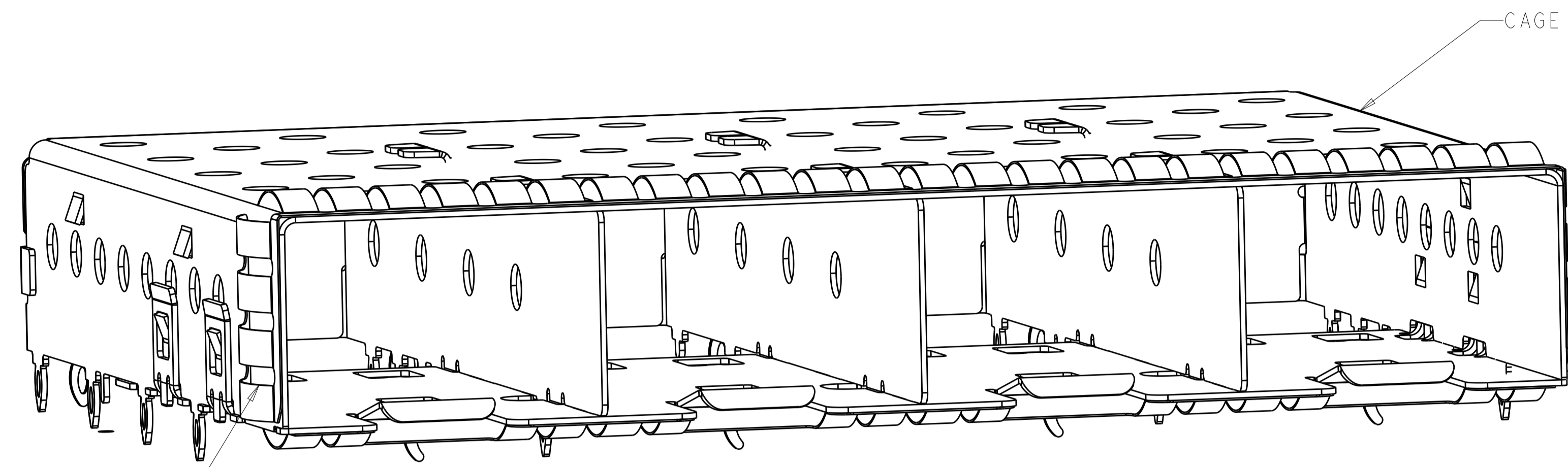
LOC	DIST	REVISIONS					
GP	00	P	LYR	DESCRIPTION	DATE	DMN	APVD
		-		SEE SHEET 1			



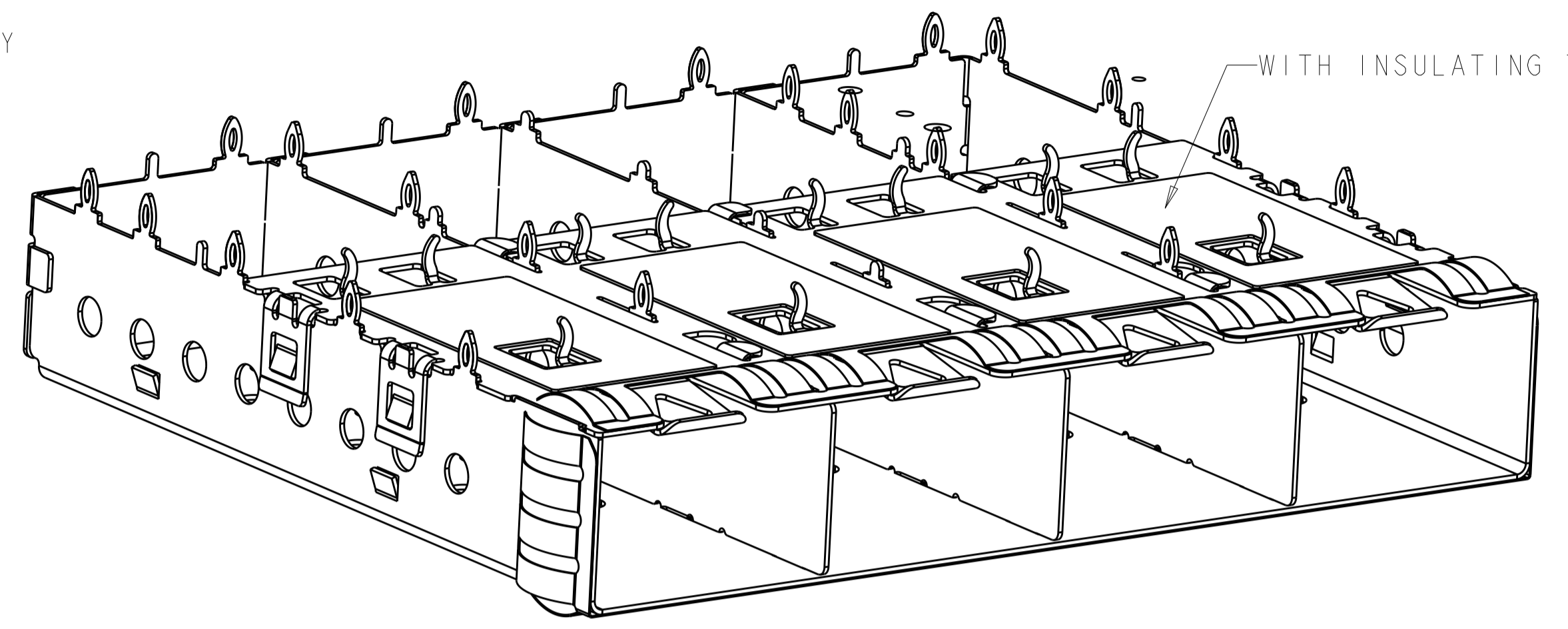
2007132-4
PART
NUMBER

THIS DRAWING IS A CONTROLLED DOCUMENT.		DMN M. SCHMITT 21JUN2007	TE Connectivity NAME SFP+ 1X4 CAGE ASSEMBLY PRESS FIT, EXTERNAL EMI SPRINGS
DIMENSIONS:		CHK M. SCHMITT 21JUN2007	
TOLERANCES UNLESS OTHERWISE SPECIFIED:		APVD B. WERTZ 21JUN2007	
mm		PRODUCT SPEC	
0 PLC	±0.1	108-2364	SIZE CAGE CODE DRAWING NO
1 PLC	±0.1	APPLICATION SPEC	RESTRICTED TO
2 PLC	±0.1	114-13120	A1 00779C=2007132
3 PLC	±0.1	WEIGHT	SCALE 1:1 SHEET 2 OF 10 REV D2
4 PLC	±0.1	Customer Drawing	
ANGLES	±0.1		
FINISH	±1°		

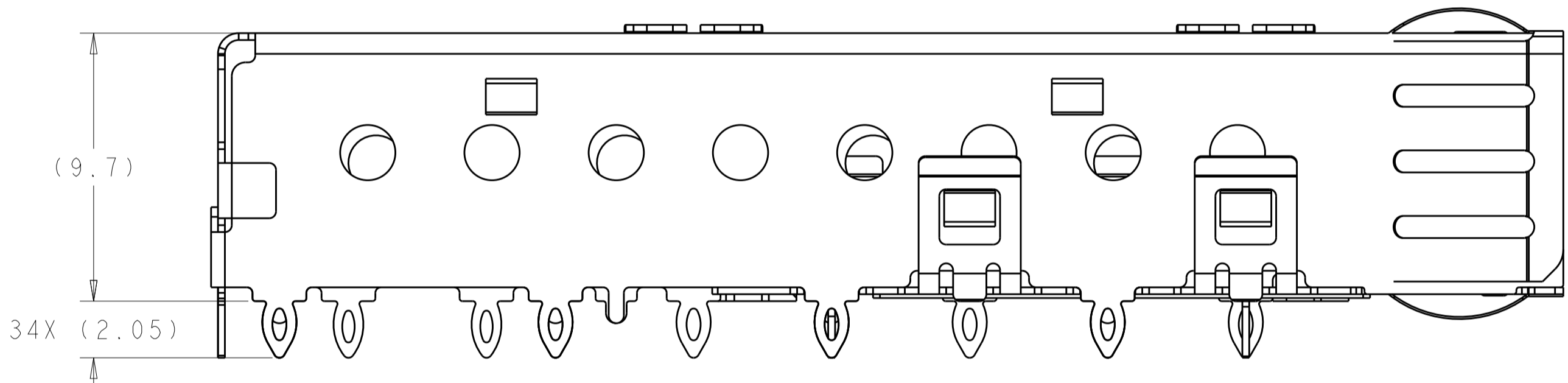
LOC		DIST		REVISIONS			
GP	00	P	LTN	DESCRIPTION	DATE	DMN	APV'D
				SEE SHEET 1			



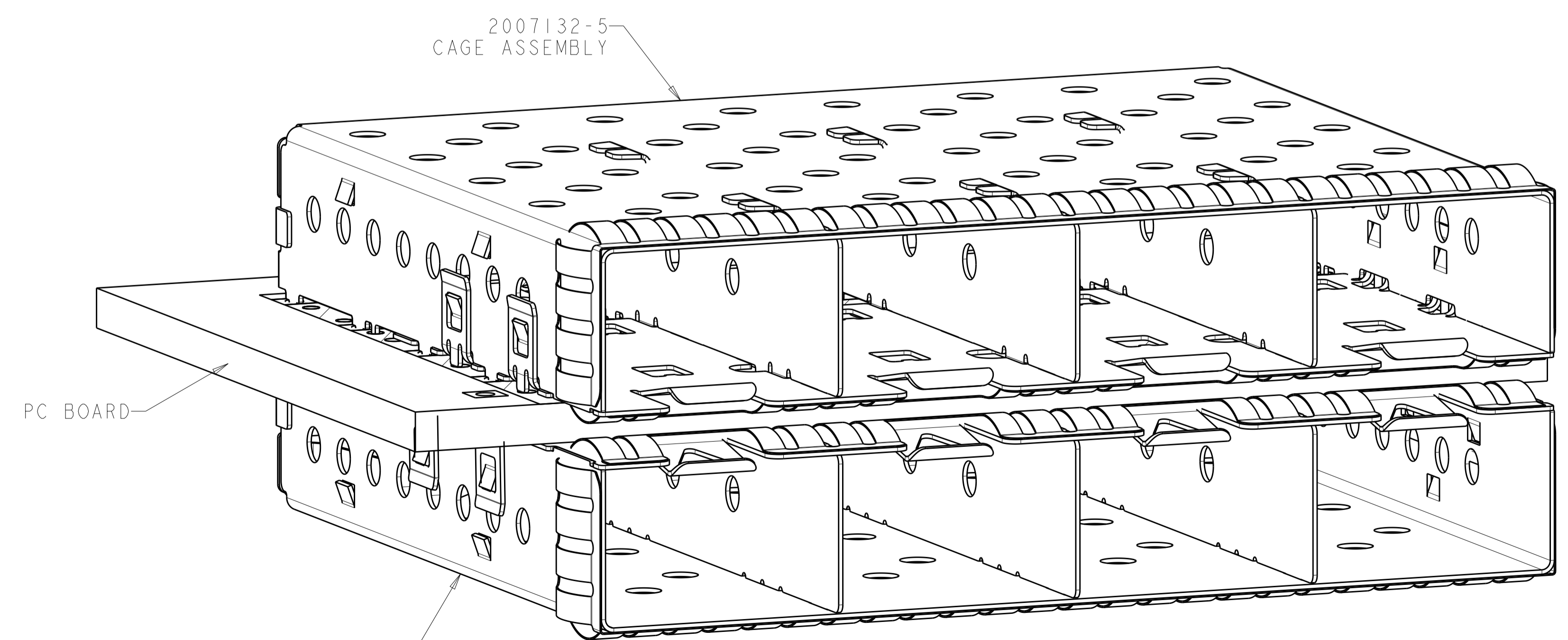
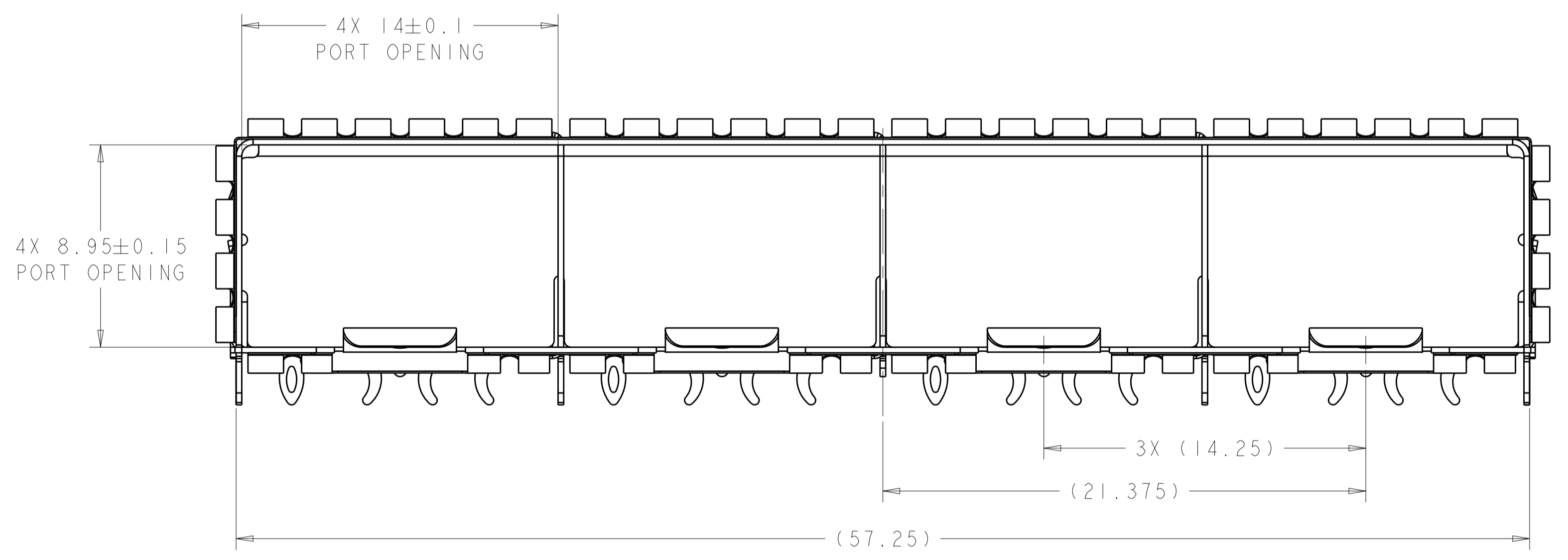
SCALE 6:1
 FINISHED ASSEMBLY



SCALE 4:1
 2007132-5
 FINISHED ASSEMBLY



SCALE 6:1

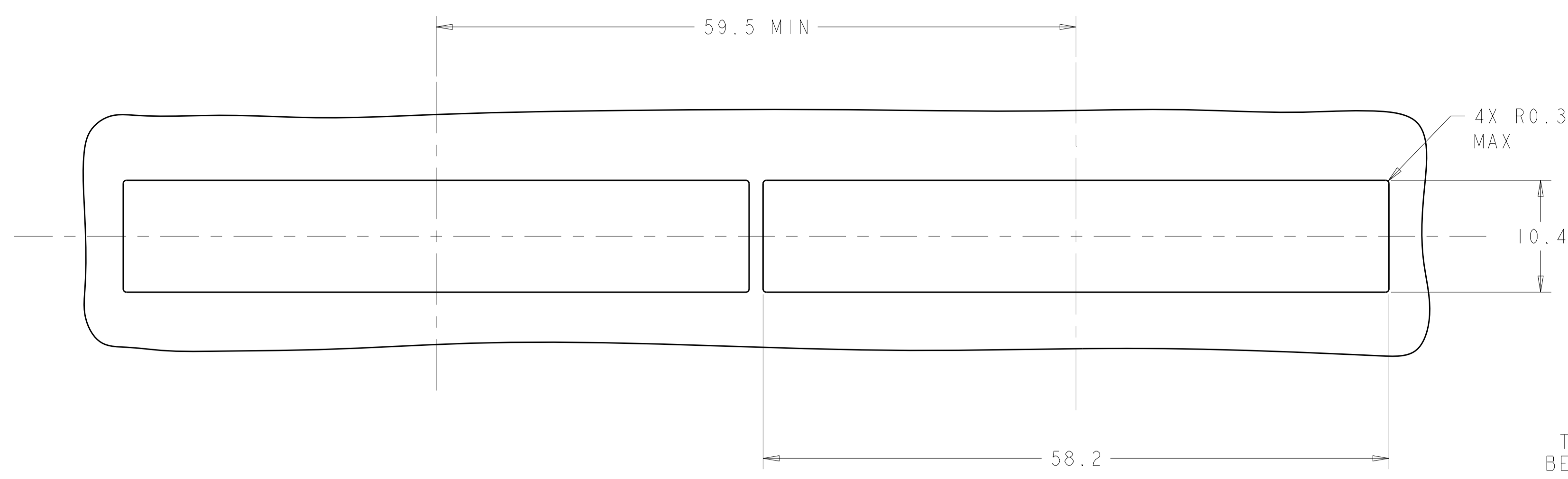


2007132-5
 MOUNTED BELLYTO BELLY ON PCB
 SCALE 5:1

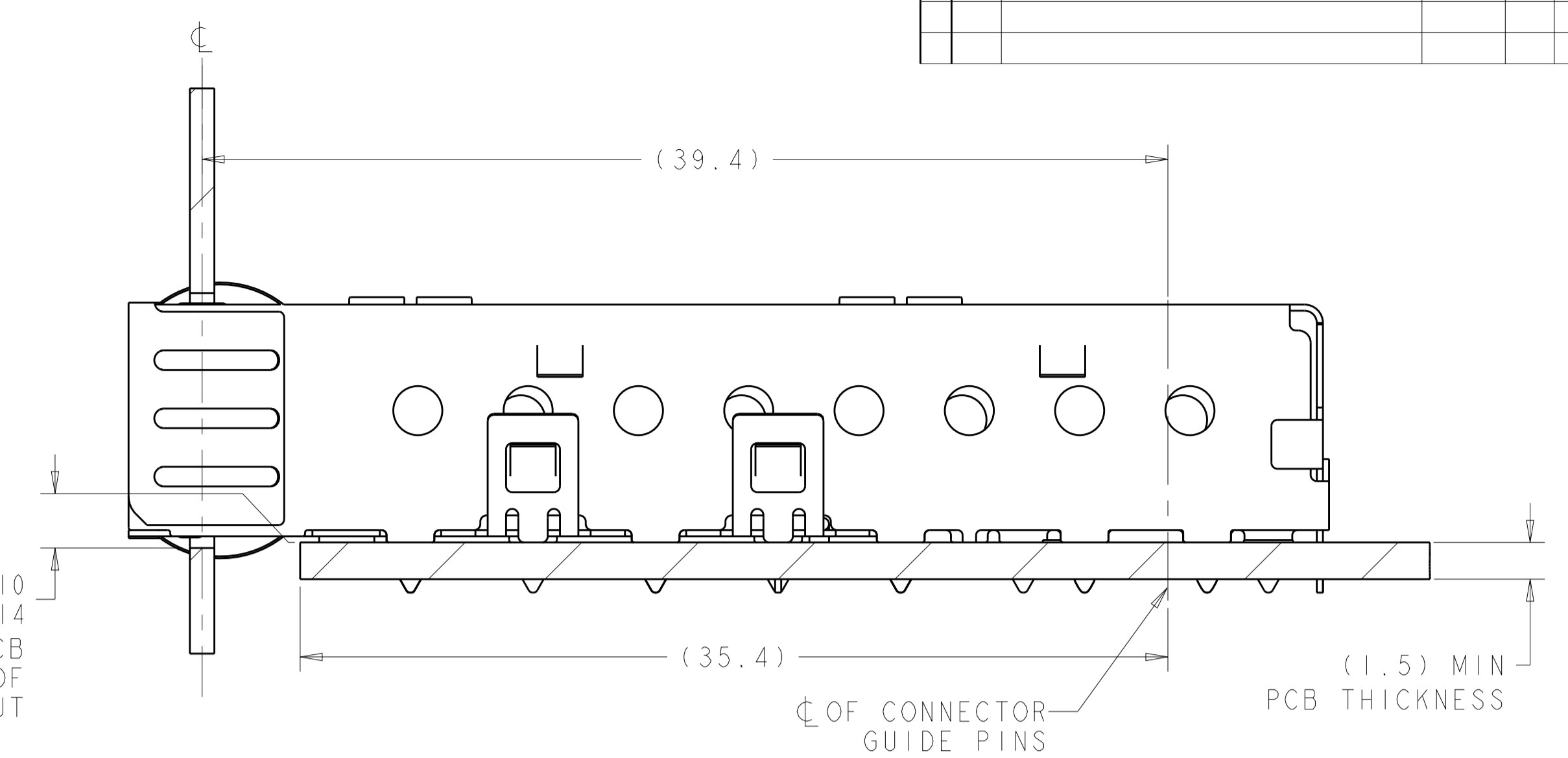
2007132-5
 PART
 NUMBER

THIS DRAWING IS A CONTROLLED DOCUMENT.		DMN M. SCHMITT 21JUN2007	TE Connectivity NAME SFP+ 1X4 CAGE ASSEMBLY PRESS FIT, EXTERNAL EMI SPRINGS
DIMENSIONS:		CHK M. SCHMITT 21JUN2007	
mm		APV'D B. WERTZ 21JUN2007	
TOLERANCES UNLESS OTHERWISE SPECIFIED: 0 PLC ±0.1 1 PLC ±0.1 2 PLC ±0.1 3 PLC ±0.1 4 PLC ±0.1 ANGLES ±1°		PRODUCT SPEC 108-2364 APPLICATION SPEC 114-13120 WEIGHT - Customer Drawing	
MATERIAL		FINISH	SIZE CAGE CODE DRAWING NO. RESTRICTED TO A100779C=2007132 SCALE 2:1 SHEET 3 OF 10 REV D2

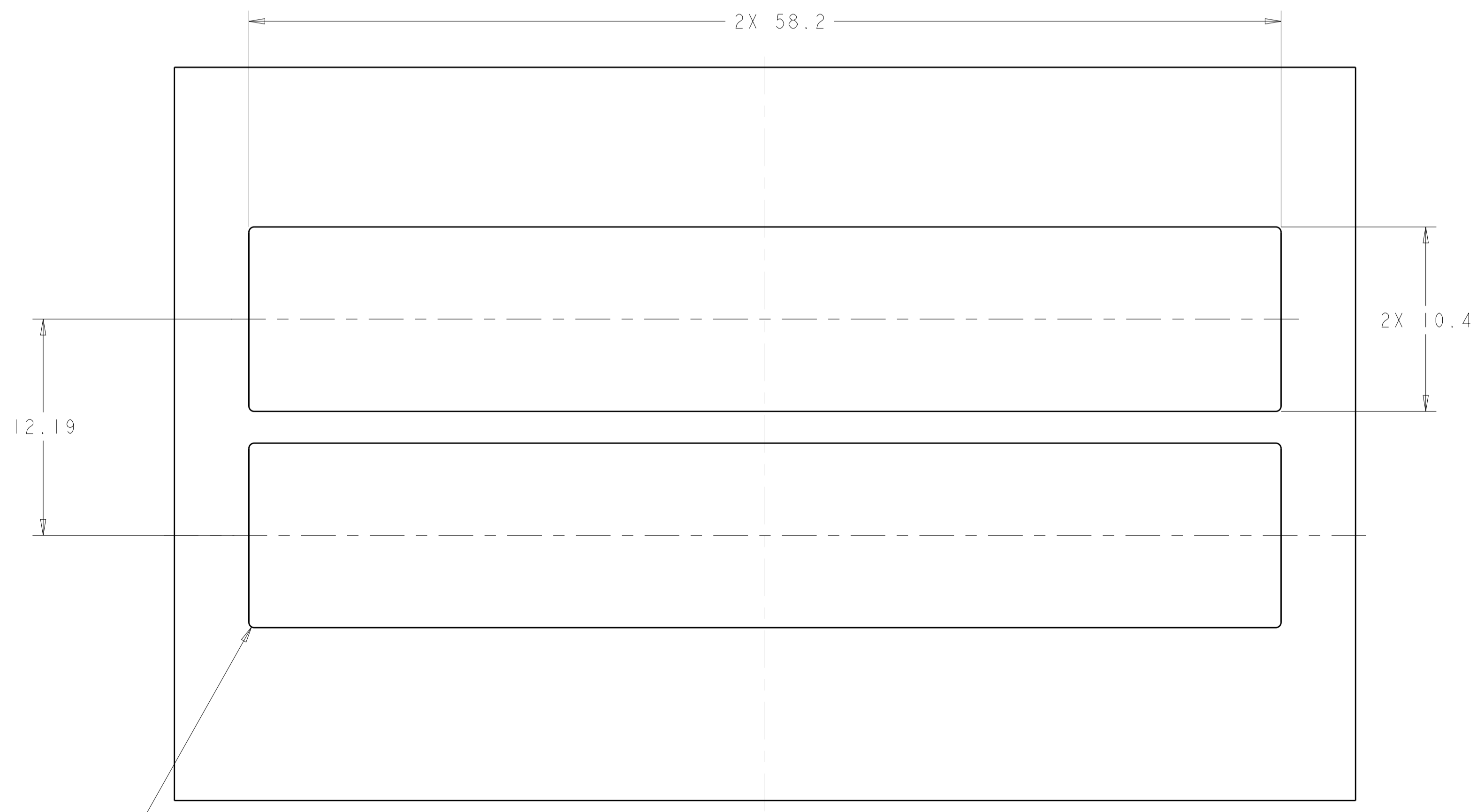
LOC		DIST		REVISIONS			
GP	00	P	LTN	DESCRIPTION	DATE	DMN	APVD
		-		SEE SHEET 1			



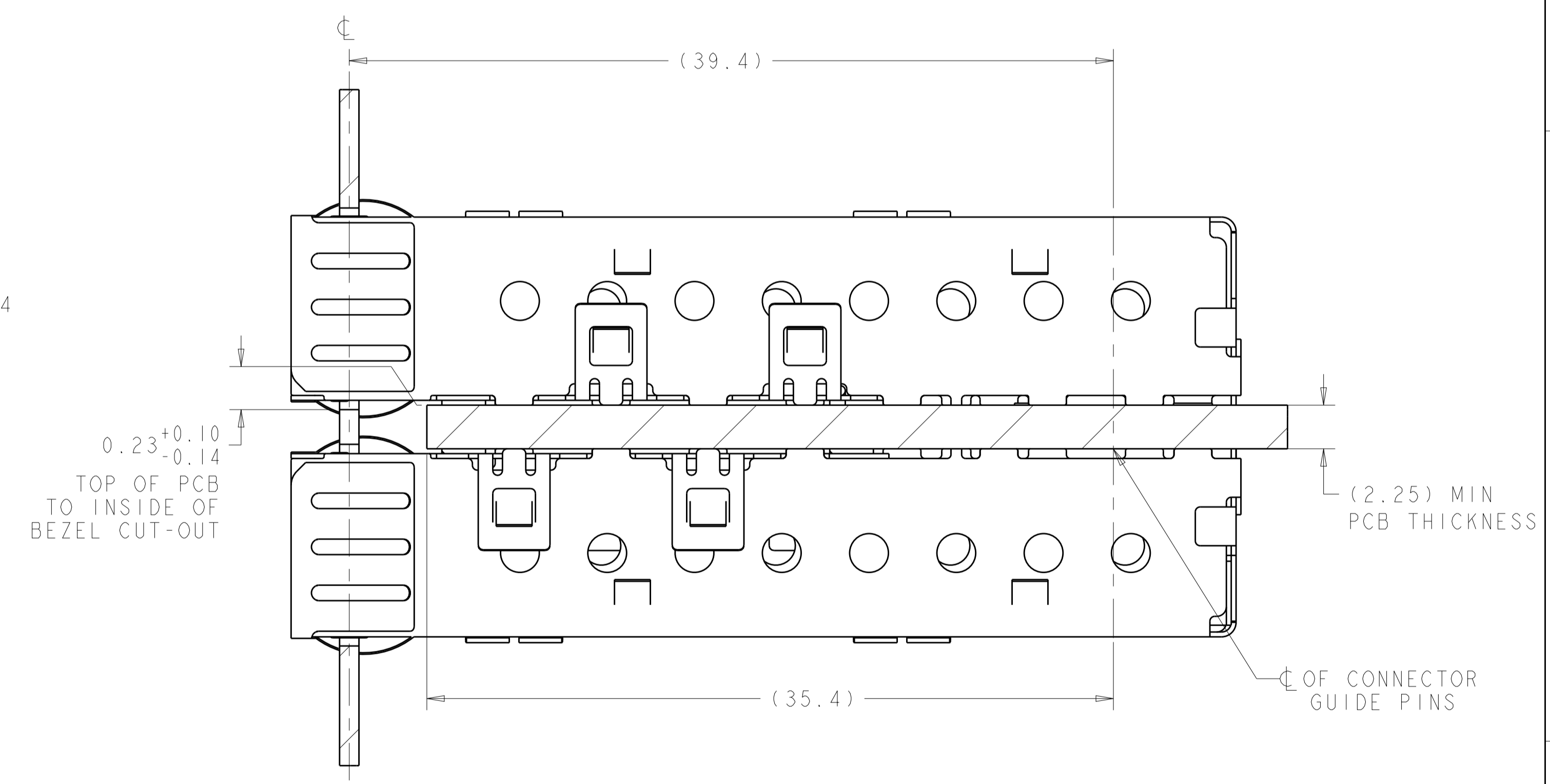
RECOMMENDED BEZEL CUT-OUT
 SINGLE SIDED APPLICATIONS
 SCALE 3:1



MOUNTED ON PC BOARD
 SHOWN THRU RECOMMENDED BEZEL
 SCALE 5:1



RECOMMENDED BEZEL CUT-OUT
 BELLY TO BELLY APPLICATIONS
 SCALE 5:1

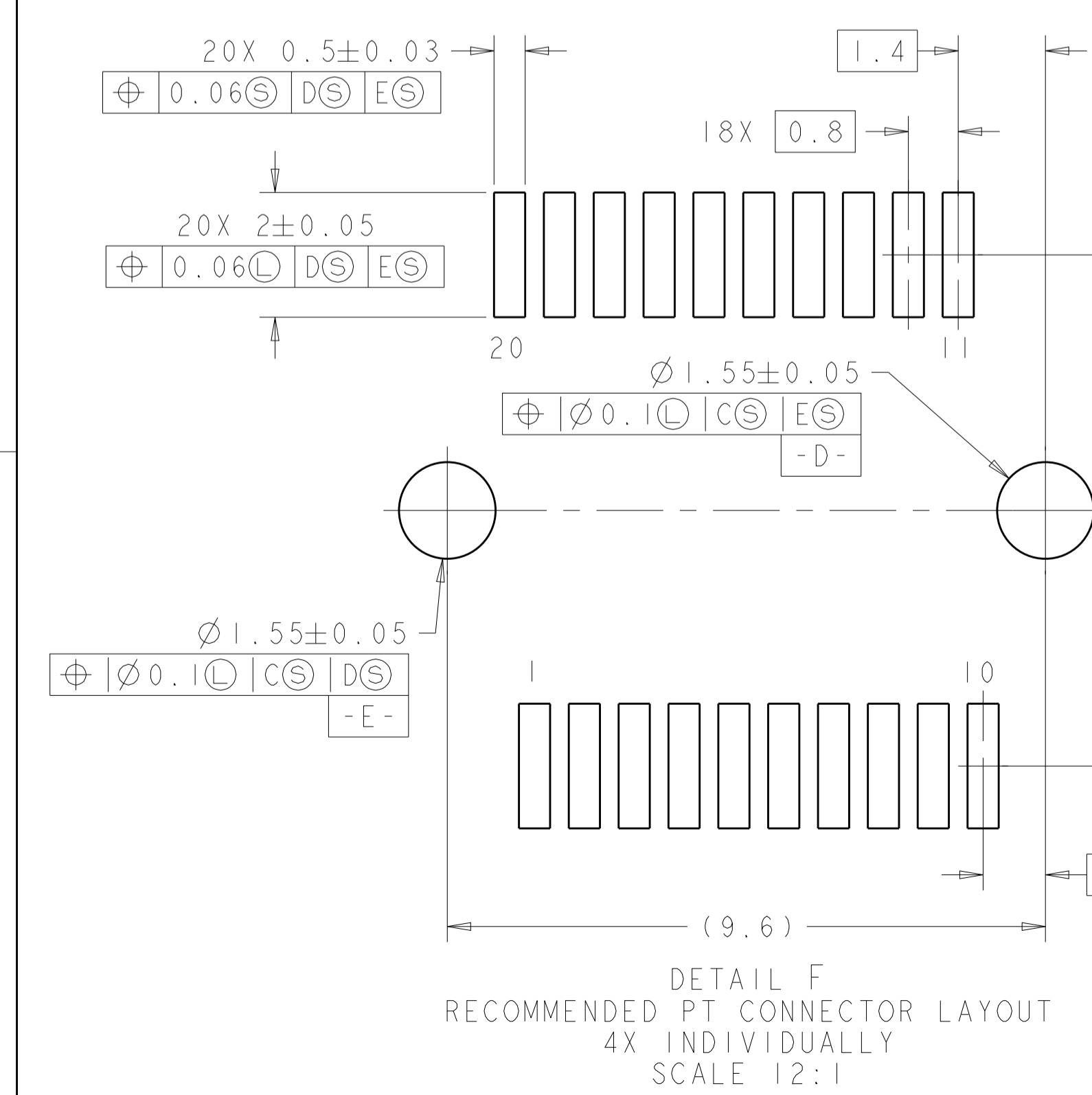
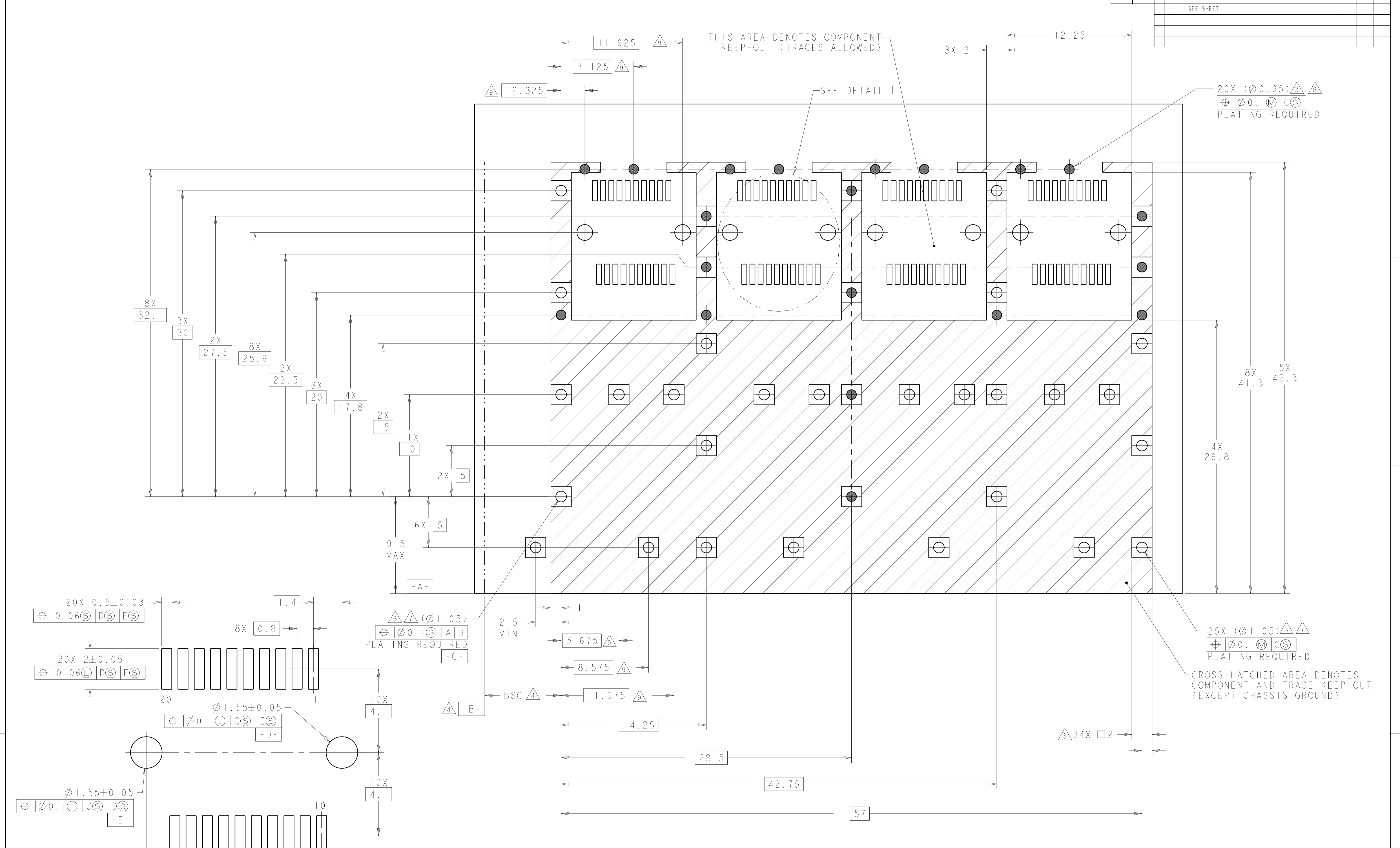


MOUNTED BELLY TO BELLY ON PC BOARD
 SHOWN THRU RECOMMENDED BEZEL
 SCALE 5:1

THIS DRAWING IS A CONTROLLED DOCUMENT.		DMN M. SCHMITT 21JUN2007	STE TE Connectivity
DIMENSIONS: mm		CHK M. SCHMITT 21JUN2007	
TOLERANCES UNLESS OTHERWISE SPECIFIED:		APVD B. WERTZ 21JUN2007	NAME SFP+ 1X4 CAGE ASSEMBLY PRESS FIT, EXTERNAL EMI SPRINGS
0 PLC	±0.1	PRODUCT SPEC	SIZE CAGE CODE DRAWING NO RESTRICTED TO
1 PLC	±0.1	108-2364	A100779C=2007132
2 PLC	±0.1	APPLICATION SPEC	WEIGHT
3 PLC	±0.1	114-13120	Customer Drawing
4 PLC	±0.1	FINISH	SCALE 2:1 SHEET 4 OF 10 REV D2
ANGLES	±1°		

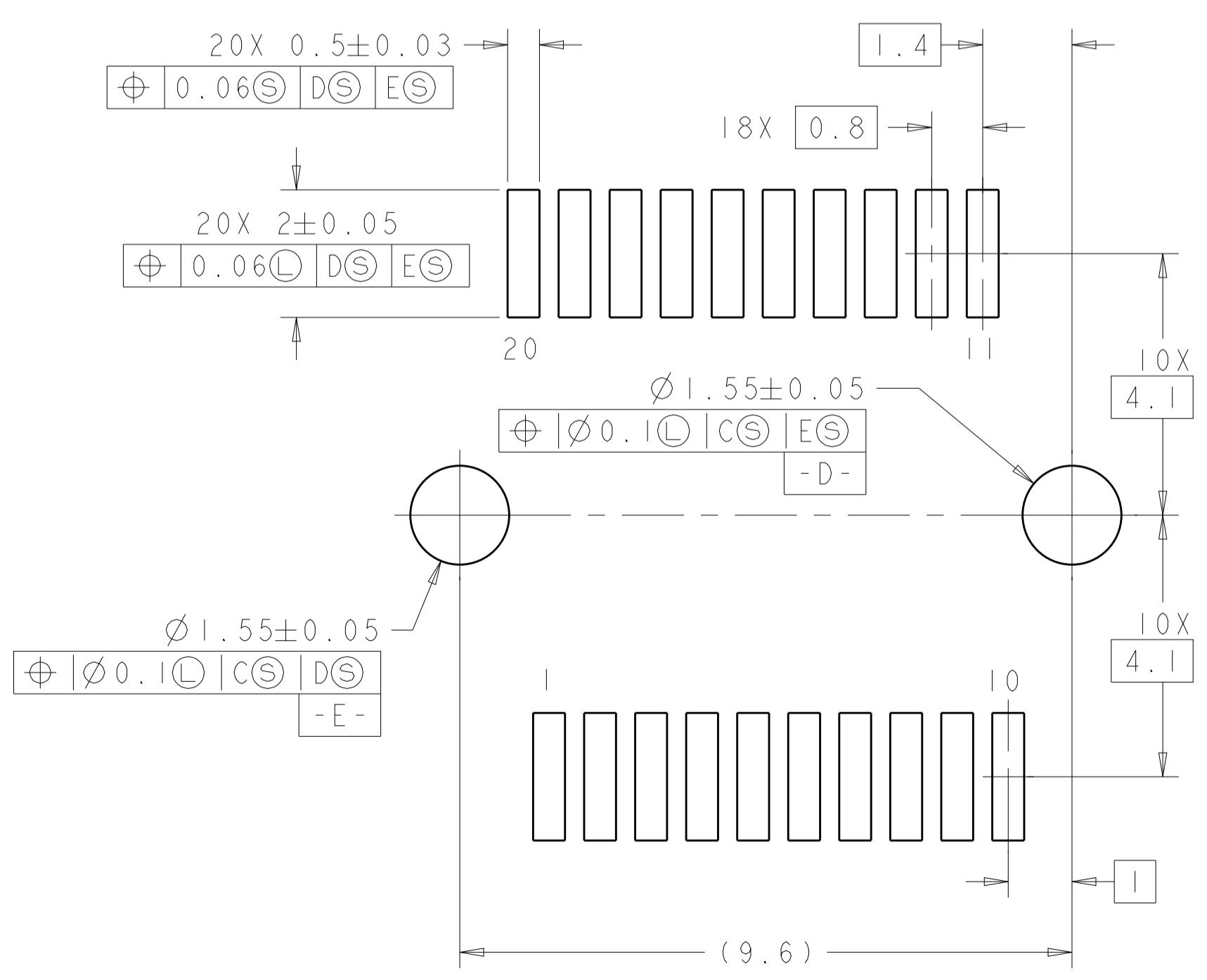
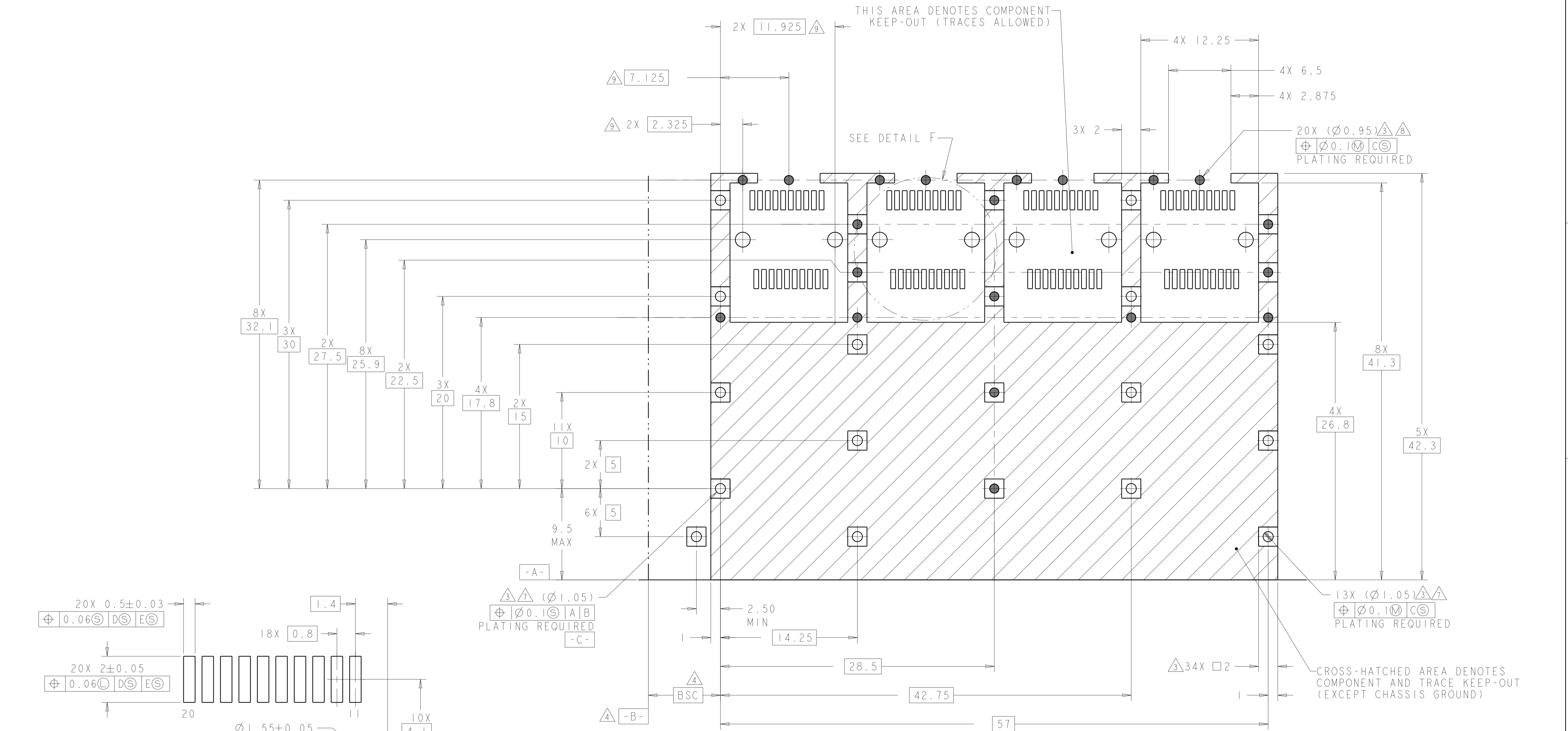
LOC	DIST	REV	DATE	BY	APPV
GP	00				

REVISIONS			
NO.	DESCRIPTION	DATE	BY
1	SEE SHEET 1	-	-



THIS DRAWING IS A CONTROLLED DOCUMENT.		OWN: M. SCHMITT 21JUN2007	TE Connectivity
DIMENSIONS: mm		CHK: M. SCHMITT 21JUN2007	
TOLERANCES UNLESS OTHERWISE SPECIFIED:		APPV: B. WERTZ 21JUN2007	NAME: SFP+ 1X4 CAGE ASSEMBLY PRESS FIT, EXTERNAL EMI SPRINGS
0 PLC	±0.1	PRODUCT SPEC	108-2364
1 PLC	±0.1	APPLICATION SPEC	114-13120
2 PLC	±0.1	WEIGHT	A100779C=2007132
3 PLC	±0.1	Customer Drawing	SCALE 2:1 SHEET 5 OF 10 REV D2
4 PLC	±0.1		
ANGLES	±1°		
FINISH			

LOC	DIST	REVISIONS			
GP	00	REV	DATE	BY	APPD
		1	SEE SHEET 1		



DETAIL F
 RECOMMENDED PT CONNECTOR LAYOUT
 4X INDIVIDUALLY
 SCALE 12:1

THIS DRAWING IS A CONTROLLED DOCUMENT.		OWN: M. SCHMITT 21 JUN 2007	TE Connectivity
DIMENSIONS: mm		CHK: M. SCHMITT 21 JUN 2007	
TOLERANCES UNLESS OTHERWISE SPECIFIED:		APVD: M. SCHMITT 21 JUN 2007	NAME: SFP+ 1X4 CAGE ASSEMBLY PRESS FIT, EXTERNAL EMI SPRINGS
0 PLC ±0.1		PRODUCT SPEC: 108-2364	
1 PLC ±0.1		APPLICATION SPEC: 114-13120	SIZE: A1
2 PLC ±0.1		WEIGHT: -	SCALE: 2:1
3 PLC ±0.1		Customer Drawing	SHEET 9 OF 10
4 PLC ±0.1			REV D2
ANGLES ±0.1			
FINISH: *			

Looking for pricing, stock, or lifecycle information?

Click below to explore more details on WIN SOURCE:

 [View 2007132-1](#) on WIN SOURCE

 [TE Connectivity](#) Information

Optimize Your Supply Chain with WIN SOURCE Solutions

-  Global Sourcing Solution
-  Obsolete Management
-  Cost Control Management
-  Shortage Management
-  Alternative Solution
-  Excess Inventory Management