



**THE DATASHEET OF
ADSP-BF512BSWZ-4F4**



Blackfin Processor Family



Why Choose a Blackfin Processor?

- High performance, 16-/32-bit Blackfin® processor core with DSP and RISC functionality and programmability
 - Eliminates need for multiple separate processors
- Large portfolio of products ranging from 300 MHz to 600 MHz
 - Best-in-class MHz/mW performance
 - Best-in-class price performance
- Software controlled dynamic power management
 - Extends battery life in portable applications
- Application-tuned system peripherals
 - Provides glueless connectivity to a variety of external devices
- Many low cost pin- and code-compatible models
- Industrial temperature range allows for wide range of applications
- Supported by easy to use, world-class development tools
- System-level integration with integrated flash and ADC on certain models
- Processors available with Lockbox® Secure Technology
- World-class ecosystem components and RTOS offerings from leading partners
- On-chip low power codec available on certain models

Blackfin Processors

Part Number	Package ¹	Speed (MHz)	RAM Memory (kB)	Ambient Temp Range (°C)	Key Peripherals	Price Range @ 1k (U.S.) ²
ADSP-BF592BCPZ	64-lead LFCSP	400	68, L1 ROM 64	-40 to +85	SPI, PPI, SPORTs, UART	4.33
ADSP-BF592KCPZ	64-lead LFCSP	400		0 to 70		3.55
ADSP-BF504BCPZ-4 ³	88-lead LFCSP	400	68	-40 to +85	SPI, PPI, SPORTs, UART, PWM, CAN, ADC control module	5.18 to 13.78
ADSP-BF504KCPZ-4	88-lead LFCSP	400		0 to 70		
ADSP-BF504BCPZ-3F	88-lead LFCSP	300	68, Flash memory 512k × 16	-40 to +85	SPI, PPI, SPORTs, UART, PWM, CAN, ADC control module, 4 MB parallel flash	
ADSP-BF504KCPZ-3F	88-lead LFCSP	300		0 to 70		
ADSP-BF504BCPZ-4F	88-lead LFCSP	400		-40 to +85		
ADSP-BF504KCPZ-4F	88-lead LFCSP	400		0 to 70		
ADSP-BF506BSWZ-3F	120-lead LQFP_EP	300		-40 to +85		
ADSP-BF506KSWZ-3F	120-lead LQFP_EP	300		0 to 70		
ADSP-BF506BSWZ-4F	120-lead LQFP_EP	400	-40 to +85	SPI, PPI, SPORTs, UART, PWM, CAN, ADC control module, 4 MB parallel flash, 12-bit ADC		
ADSP-BF506KSWZ-4F	120-lead LQFP_EP	400	0 to 70			
ADSP-BF512BBCZ-3	168-ball CSP_BGA	300	116	-40 to +85	PPI, SPI, SPORTs, TWI, UART	6.26 to 10.31
ADSP-BF512BBCZ-4	168-ball CSP_BGA	400				
ADSP-BF512BSWZ-3	176-lead LQFP_EP	300				
ADSP-BF512BSWZ-4 ³	176-lead LQFP_EP	400				
ADSP-BF512KBCZ-3	168-ball CSP_BGA	300		0 to 70		
ADSP-BF512KBCZ-4	168-ball CSP_BGA	400				
ADSP-BF512KSWZ-3	176-lead LQFP_EP	300				
ADSP-BF512KSWZ-4	176-lead LQFP_EP	400				
ADSP-BF512BBCZ-4F4	168-ball CSP_BGA	400	116, Flash memory 512k × 16	-40 to +85	PPI, SPI, SPORTs, TWI, UART, SPI flash	
ADSP-BF512BSWZ-4F4	176-lead LQFP_EP	400		-40 to +85		
ADSP-BF512KBCZ-4F4	168-ball CSP_BGA	400		0 to 70		
ADSP-BF512KSWZ-4F4	176-lead LQFP_EP	400		0 to 70		
ADSP-BF514BBCZ-3	168-ball CSP_BGA	300	116	-40 to +85	PPI, SPI, SPORTs, TWI, UART, SDIO, CE-ATA, eMMC	7.77 to 10.88
ADSP-BF514BBCZ-4	168-ball CSP_BGA	400				
ADSP-BF514BSWZ-3 ³	176-lead LQFP_EP	300				
ADSP-BF514BSWZ-4	176-lead LQFP_EP	400				
ADSP-BF514KBCZ-3	168-ball CSP_BGA	300		0 to 70		
ADSP-BF514KBCZ-4	168-ball CSP_BGA	400				
ADSP-BF514KSWZ-3	176-lead LQFP_EP	300				
ADSP-BF514KSWZ-4	176-lead LQFP_EP	400				
ADSP-BF514BBCZ-4F4	168-ball CSP_BGA	400	116, Flash memory 512k × 16	-40 to +85	PPI, SPI, SPORTs, TWI, UART, SDIO, CE-ATA, eMMC, SPI flash	
ADSP-BF514BSWZ-4F4	176-lead LQFP_EP	400		-40 to +85		
ADSP-BF514KBCZ-4F4	168-ball CSP_BGA	400		0 to 70		
ADSP-BF514KSWZ-4F4	176-lead LQFP_EP	400		0 to 70		
ADSP-BF516BBCZ-3	168-ball CSP_BGA	300	116	-40 to +85	PPI, SPI, SPORTs, TWI, UART, 10/100 Ethernet, SDIO, CE-ATA, eMMC	8.92 to 12.03
ADSP-BF516BBCZ-4	168-ball CSP_BGA	400				
ADSP-BF516BSWZ-3 ³	176-lead LQFP_EP	300				
ADSP-BF516BSWZ-4	176-lead LQFP_EP	400				
ADSP-BF516KBCZ-3	168-ball CSP_BGA	300		0 to 70		
ADSP-BF516KBCZ-4	168-ball CSP_BGA	400				
ADSP-BF516KSWZ-3	176-lead LQFP_EP	300				
ADSP-BF516KSWZ-4	176-lead LQFP_EP	400				
ADSP-BF516BBCZ-4F4	168-ball CSP_BGA	400	116, Flash memory 512k × 16	-40 to +85	PPI, SPI, SPORTs, TWI, UART, 10/100 Ethernet, SDIO, CE-ATA, eMMC, SPI flash	
ADSP-BF516BSWZ-4F4	176-lead LQFP_EP	400		-40 to +85		
ADSP-BF516KBCZ-4F4	168-ball CSP_BGA	400		0 to 70		
ADSP-BF516KSWZ-4F4	176-lead LQFP_EP	400		0 to 70		

¹Packages: LQFP_EP (low profile quad flat pack exposed pad); CSP_BGA (chip scale package ball grid array); PBGA (plastic ball grid array); LFCSP (lead frame chip scale package).

²All pricing is budgetary and subject to change.

³Available in automotive grade.

Blackfin Processors (continued)

Part Number	Package ¹	Speed (MHz)	RAM Memory (kB)	Ambient Temp Range (°C)	Key Peripherals	Price Range @ 1k (\$U.S.) ²	
ADSP-BF518BBCZ-4	168-ball CSP_BGA	400	116	-40 to +85	PPI, SPI, SPORTs, TWI, UART, 10/100 Ethernet with 1588, SDIO, CE-ATA, eMMC, SPI flash	13.07 to 14.45	
ADSP-BF518BSWZ-4 ³	176-lead LQFP_EP						
ADSP-BF518BBCZ-4F4	168-ball CSP_BGA						
ADSP-BF518BSWZ-4F4	176-lead LQFP_EP						
ADSP-BF522KBCZ-3	289-ball CSP_BGA	300	132	0 to 70	PPI, SPI, SPORTs, NAND interface, TWI, host DMA, UART, Lockbox	8.18 to 12.04	
ADSP-BF522BBCZ-3A	208-ball CSP_BGA			-40 to +85			
ADSP-BF522KBCZ-3C2	289-ball CSP_BGA	0 to 70					
ADSP-BF522KBCZ-4	289-ball CSP_BGA	0 to 70					
ADSP-BF522BBCZ-4A	208-ball CSP_BGA	-40 to +85					
ADSP-BF522KBCZ-4C2	289-ball CSP_BGA	0 to 70					
ADSP-BF523KBCZ-5	289-ball CSP_BGA	533		0 to 70		-40 to +85	13.46 to 19.24
ADSP-BF523BBCZ-5A	208-ball CSP_BGA						
ADSP-BF523KBCZ-5C2	289-ball CSP_BGA						
ADSP-BF523KBCZ-6	289-ball CSP_BGA	600		0 to 70		0 to 70	13.46 to 19.24
ADSP-BF523KBCZ-6A	208-ball CSP_BGA						
ADSP-BF523KBCZ-6C2	289-ball CSP_BGA						
ADSP-BF524KBCZ-3	289-ball CSP_BGA	300	132	0 to 70	PPI, SPI, SPORTs, NAND interface, TWI, host DMA, UART, Lockbox, HS USB OTG	9.58 to 13.74	
ADSP-BF524BBCZ-3A	208-ball CSP_BGA			-40 to +85			
ADSP-BF524KBCZ-3C2	289-ball CSP_BGA	0 to 70					
ADSP-BF524KBCZ-4	289-ball CSP_BGA	0 to 70					
ADSP-BF524BBCZ-4A	208-ball CSP_BGA	-40 to +85					
ADSP-BF524KBCZ-4C2	289-ball CSP_BGA	0 to 70					
ADSP-BF525KBCZ-5	289-ball CSP_BGA	533		0 to 70		-40 to +85	15.17 to 21.00
ADSP-BF525BBCZ-5A ³	208-ball CSP_BGA						
ADSP-BF525KBCZ-5C2	289-ball CSP_BGA						
ADSP-BF525KBCZ-6	289-ball CSP_BGA	600		0 to 70		0 to 70	15.17 to 21.00
ADSP-BF525KBCZ-6A	208-ball CSP_BGA						
ADSP-BF525KBCZ-6C2	289-ball CSP_BGA						
ADSP-BF526KBCZ-3	289-ball CSP_BGA	300	132	0 to 70	PPI, SPI, SPORTs, 10/100 Ethernet, TWI, host DMA, NAND interface, UART, Lockbox, HS USB OTG	10.76 to 15.53	
ADSP-BF526BBCZ-3A	208-ball CSP_BGA			-40 to +85			
ADSP-BF526KBCZ-3C2	289-ball CSP_BGA	0 to 70					
ADSP-BF526KBCZ-4	289-ball CSP_BGA	0 to 70					
ADSP-BF526BBCZ-4A	208-ball CSP_BGA	-40 to +85					
ADSP-BF526KBCZ-4C2	289-ball CSP_BGA	0 to 70					
ADSP-BF527KBCZ-5	289-ball CSP_BGA	533		0 to 70		-40 to +85	16.99 to 22.89
ADSP-BF527BBCZ-5A	208-ball CSP_BGA						
ADSP-BF527KBCZ-5C2	289-ball CSP_BGA						
ADSP-BF527KBCZ-6	289-ball CSP_BGA	600		0 to 70		0 to 70	16.99 to 22.89
ADSP-BF527KBCZ-6A	208-ball CSP_BGA						
ADSP-BF527KBCZ-6C2	289-ball CSP_BGA						

¹Packages: LQFP_EP (low profile quad flat pack exposed pad); CSP_BGA (chip scale package ball grid array); PBGA (plastic ball grid array); LFCSP (lead frame chip scale package).

²All pricing is budgetary and subject to change.

³Available in automotive grade.

Blackfin Processors (continued)

Part Number	Package ¹	Speed (MHz)	RAM Memory (kB)	Ambient Temp Range (°C)	Key Peripherals	Price Range @ 1k (U.S.) ²				
ADSP-BF531SBB400	169-ball PBGA	400	52	-40 to +85	PPI, UART, SPI, 2 SPORTs, 3 timers, 16 GPIOs	5.99 to 12.81				
ADSP-BF531SBBC400	160-ball CSP_BGA									
ADSP-BF531SBBCZ400 ³	160-ball CSP_BGA									
ADSP-BF531SBBZ400 ³	169-ball PBGA									
ADSP-BF531SBSTZ400 ³	176-lead LQFP									
ADSP-BF532SBBC400	160-ball CSP_BGA	400	84	-40 to +85		PPI, UART, SPI, 2 SPORTs, 3 timers, 16 GPIOs	9.33 to 17.31			
ADSP-BF532SBBCZ400 ³	160-ball CSP_BGA									
ADSP-BF532SBSTZ400 ³	176-lead LQFP									
ADSP-BF532SBB400	169-ball PBGA									
ADSP-BF532SBBZ400	169-ball PBGA									
ADSP-BF533SBBC400	160-ball CSP_BGA	400	148	-40 to +85	PPI, UART, SPI, 2 SPORTs, 3 timers, 16 GPIOs		12.19 to 23.32			
ADSP-BF533SBBCZ400	160-ball CSP_BGA	400								
ADSP-BF533SBBZ400	169-ball PBGA	400								
ADSP-BF533SBSTZ400	176-lead LQFP	400								
ADSP-BF533SBBC500	160-ball CSP_BGA	500								
ADSP-BF533SBBCZ500 ³	160-ball CSP_BGA	500								
ADSP-BF533SBB500	160-ball CSP_BGA	500								
ADSP-BF533SBBZ500 ³	169-ball PBGA	500								
ADSP-BF533SBBC-5V	160-ball CSP_BGA	533								
ADSP-BF533SBBCZ-5V	160-ball CSP_BGA	533								
ADSP-BF533SKBC-6V	160-ball CSP_BGA	600				0 to 70				
ADSP-BF533SKBCZ-6V	160-ball CSP_BGA	600				0 to 70				
ADSP-BF534BBC-4A	182-ball CSP_BGA	400				132		-40 to +85	CAN [®] PPI/SPI, TWI, 8 timers, 48 GPIOs, 2 SPORTs/UARTs	12.40 to 18.53
ADSP-BF534BBCZ-4A ³	182-ball CSP_BGA	400								
ADSP-BF534BBCZ-4B ³	208-ball CSP_BGA	400								
ADSP-BF534BBC-5A	182-ball CSP_BGA	500								
ADSP-BF534BBCZ-5A	182-ball CSP_BGA	500								
ADSP-BF534BBCZ-5B	208-ball CSP_BGA	500								
ADSP-BF534YBCZ-4B3	208-ball CSP_BGA	400								
ADSP-BF535PBB-200	260-ball PBGA	200	308	-40 to +85	2 SPIs, 2 SPORTs, USB device, PCI	31.27 to 48.22				
ADSP-BF535PBBZ-200	260-ball PBGA	200								
ADSP-BF535PKB-300	260-ball PBGA	300					0 to 70			
ADSP-BF535PKBZ-300	260-ball PBGA	300					0 to 70			
ADSP-BF535PBB-300	260-ball PBGA	300					-40 to +85			
ADSP-BF535PKB-350	260-ball PBGA	350					0 to 70			
ADSP-BF535PKBZ-350	260-ball PBGA	350					0 to 70			
ADSP-BF536BBC-3A	182-ball CSP_BGA	300					100	-40 to +85	10/100 Ethernet, CAN, PPI, TWI, 8 timers, 48 GPIOs, 2 SPORTs/UARTs, SPI	10.07 to 15.14
ADSP-BF536BBCZ-3A	182-ball CSP_BGA	300								
ADSP-BF536BBCZ-3B	208-ball CSP_BGA	300								
ADSP-BF536BBC-4A	182-ball CSP_BGA	400								
ADSP-BF536BBCZ-4A	182-ball CSP_BGA	400								
ADSP-BF536BBCZ-4B	208-ball CSP_BGA	400								

¹Packages: LQFP_EP (low profile quad flat pack exposed pad); CSP_BGA (chip scale package ball grid array); PBGA (plastic ball grid array); LFCSFP (lead frame chip scale package).

²All pricing is budgetary and subject to change.

³Available in automotive grade.

Blackfin Processors (continued)

Part Number	Package ¹	Speed (MHz)	RAM Memory (kB)	Ambient Temp Range (°C)	Key Peripherals	Price Range @ 1k (\$U.S.) ²
ADSP-BF537BBC-5A	182-ball CSP_BGA	500	132	-40 to +85	10/100 Ethernet, CAN, PPI, TWI, 8 timers, 48 GPIOs, 2 SPORTs/UARTs, SPI	17.15 to 21.20
ADSP-BF537BBCZ-5A	182-ball CSP_BGA	500				
ADSP-BF537BBCZ-5B	208-ball CSP_BGA	500				
ADSP-BF537BBCZ-5AV	182-ball CSP_BGA	533		0 to 70		
ADSP-BF537BBCZ-5BV	208-ball CSP_BGA	533				
ADSP-BF537KBCZ-6AV	182-ball CSP_BGA	600				
ADSP-BF537KBCZ-6BV	208-ball CSP_BGA	600				
ADSP-BF538BBCZ-4A	316-ball CSP_BGA	400	148	-40 to +85	CAN 2.0B, 54 GPIOs, 4 SPORTs, 3 UARTs, 3 SPIs, 2 TWIs, PPI, 8 MB flash	16.03 to 20.67
ADSP-BF538BBCZ-4F8	316-ball CSP_BGA	400				
ADSP-BF538BBCZ-5A	316-ball CSP_BGA	533				
ADSP-BF538BBCZ-5F8	316-ball CSP_BGA	533		MXVR, CAN, 54 GPIOs, 4 SPORTs, 3 UARTs, 3 SPIs, 2 TWIs, PPI, 8 MB flash	Contact ADI	
ADSP-BF539BBCZ-5A ³	316-ball CSP_BGA	533				
ADSP-BF539BBCZ-5F8 ³	316-ball CSP_BGA	533				
ADSP-BF542BBCZ-4A	400-ball CSP_BGA	400	132	-40 to +85	CAN, ⁴ HS USB OTG, 3 EPPIs, pixel comp, ATAPI-6, Lockbox	15.66 to 19.14
ADSP-BF542BBCZ-5A ³	400-ball CSP_BGA	533	132	-40 to +85		
ADSP-BF542KBCZ-6A	400-ball CSP_BGA	600		0 to 70		
ADSP-BF542MBBCZ-5M ⁵	400-ball CSP_BGA	533	-40 to +85			
ADSP-BF544BBCZ-4A	400-ball CSP_BGA	400	132	-40 to +85	CAN, ⁴ Host DMA, 3 EPPIs, pixel comp, Lockbox	16.56 to 18.40
ADSP-BF544BBCZ-5A ³	400-ball CSP_BGA	533	196			
ADSP-BF544MBBCZ-5M ⁵	400-ball CSP_BGA	533	132			
ADSP-BF547BBCZ-5A	400-ball CSP_BGA	533	260	-40 to +85	HS USB OTC, 3 EPPIs, pixel comp, ATAPI-6, Lockbox	20.11 to 22.12
ADSP-BF547KBCZ-6A	400-ball CSP_BGA	600	260	0 to 70		
ADSP-BF547MBBCZ-5M ⁵	400-ball CSP_BGA	533	132	-40 to +85		
ADSP-BF548BBCZ-5A	400-ball CSP_BGA	533	260	-40 to +85	HS USB OTG, 3 EPPIs, pixel comp, ATAPI-6, Lockbox, CAN	20.71
ADSP-BF548MBBCZ-5M ⁵	400-ball CSP_BGA	533	132			
ADSP-BF561SKB500	297-ball PBGA	500	328	0 to 70	2 PPIs, UART, 12 timers, 2 SPORTs	20.40 to 37.53
ADSP-BF561SKBZ500	297-ball PBGA	500		0 to 70		
ADSP-BF561SKBCZ-5A	256-ball CSP_BGA	500		0 to 70		
ADSP-BF561SKBCZ-5V	256-ball CSP_BGA	533		0 to 70		
ADSP-BF561SBB500	297-ball PBGA	500		-40 to +85		
ADSP-BF561SBBZ500 ³	297-ball PBGA	500		-40 to +85		
ADSP-BF561SBBCZ-5A ³	256-ball CSP_BGA	500		-40 to +85		
ADSP-BF561SKB600	297-ball PBGA	600		0 to 70		
ADSP-BF561SKBZ600	297-ball PBGA	600		0 to 70		
ADSP-BF561SKBCZ500	256-ball CSP_BGA	500		-40 to +85		
ADSP-BF561SKBCZ-6A	256-ball CSP_BGA	600		0 to 70		
ADSP-BF561SKBCZ-6V	256-ball CSP_BGA	600		0 to 70		
ADSP-BF561SBB600	297-ball PBGA	600		-40 to +85		
ADSP-BF561SBBZ600	297-ball PBGA	600		-40 to +85		

¹Packages: LQFP_EP (low profile quad flat pack exposed pad); CSP_BGA (chip scale package ball grid array); PBGA (plastic ball grid array); LFCSP (lead frame chip scale package).

²All pricing is budgetary and subject to change.

³Available in automotive grade.

⁴Available on automotive-grade parts only.

⁵M designates support for 1.8 V mobile DDR memory.

Development Tools

The Blackfin processor is supported by the Analog Devices CROSSCORE® line of robust and flexible development tools.

VisualDSP++ Software

VisualDSP++® software delivers efficient project management, enabling programmers to move easily between editing, building, and debugging within a single interface. Key features include an optimizing C/C++ compiler, advanced plotting tools, embedded OS support (VDK), award-winning statistical profiling, TCP/IP and USB support, free software upgrades, and technical support.

EZ-Board Evaluation Boards

The EZ-Board™ evaluation board provides developers with a low cost platform for initial evaluation of the processors via an external emulator or μ Clinix.™ The EZ-Board evaluation board has an expansion interface that allows for modularity with different EZ-Extender boards.

EZ-KIT Lite Evaluation Kit

The EZ-KIT Lite® evaluation kit is a standalone evaluation board and evaluation suite of VisualDSP++ software to facilitate architecture evaluation.

EZ-Extender Daughter Boards

EZ-Extender® daughter boards enable developers to access and connect various peripherals from Analog Devices and third parties to the expansion interface of the EZ-KIT Lite evaluation kits.

Emulators

Analog Devices cost-effective and high performance emulators provide an easy, portable, nonintrusive, target-based debugging solution for Analog Devices JTAG processors and DSPs.

These powerful emulators perform a wide range of emulation functions, including single-step and full-speed execution with predefined breakpoints, and viewing and/or altering of register and memory contents.

Standalone Debug Agent Board

The Standalone Debug Agent is intended to provide a modular low cost emulation solution for EZ-Board evaluation boards as well as evaluation boards designed by third parties. The Standalone Debug Agent is very similar to the Debug Agent that is on existing EZ-KIT Lite evaluation boards but will have the flexibility to move from one board to another.

Software Modules

Analog Devices has a wide range of tested and optimized software modules available, including decoders, encoders, codecs, and other algorithms that provide multimedia functions for the Blackfin and SHARC processor families. The software modules allow engineers to quickly and easily incorporate these functions, providing a faster development path to the end product. In addition, the highly optimized software modules feature a consistent API and framework to ensure rapid development of multiple functions. Visit www.analog.com/software for more information.

Platforms and Reference Designs

Platforms and reference designs help jump-start your design. They include comprehensive software suites with documented APIs running on application-specific evaluation boards. The easy to use APIs enable customization and control of core system functions, letting you focus on adding value through product differentiation. For more information on Analog Devices platforms, reference designs, and third-party reference designs, visit www.analog.com/referencedesigns.

Extended Development Tools and Support

Starter Kits

Analog Devices starter kits provide everything you need to get started on an application. Kits contain a Blackfin EZ-KIT Lite, EZ-Extender daughter board(s), and the software development kit (SDK), which contains sample code, “how to” documents, and various encoders/decoders that make getting started on an application easy and shorten the learning curve.

Software Development Kits

The SDK contains example software, source code, device drivers, algorithms, utilities information, and application notes that allow you to develop processor applications. The software can be used as a framework, or as examples of how to use certain aspects and peripherals, in conjunction with an ADI processor. The SDK is included in the starter kits and is also downloadable for free, provided you have the required hardware, at www.analog.com/sdk/downloads.

μ Clinix

The μ Clinix kernel and GNU toolchain are available for the Blackfin processor and can be downloaded from the μ Clinix for Blackfin processor website (www.blackfin.uclinux.org), which is the central repository for all Blackfin processor open-source projects. One of the board support packages available is the ADSP-BF537 STAMP μ Clinix kernel board support package (BSP). The BSP is composed of the ADSP-BF537 STAMP development board (including the full complement of memory along with serial and network interfaces), a recent copy of the open-source development tools, μ Clinix kernel, and bootloader. The STAMP board is specifically designed to support the development and porting of open-source μ Clinix applications.

Blackfin Processor Development Tools

Blackfin Processor	Hardware	Emulator	VisualDSP++ Development Software	Additional Software Available	
ADSP-BF592	ADZS-BF592-EZLITE <i>Key Features</i> <ul style="list-style-type: none">ADSP-BF592 Blackfin processorSPI flash memory: Numonyx M25P16—16 MBAudio codecUART				
ADSP-BF504 ADSP-BF504F ADSP-BF506F	ADZS-BF506F-EZLITE <i>Key Features</i> <ul style="list-style-type: none">ADSP-BF506F Blackfin processor with integrated 12-bit ADC and 4 MB stacked flash12-bit ADC input connectorsUART interface/DB9 connectorSDIO interfaceExpansion interfaceStandalone debug agent interface				
ADSP-BF512 ADSP-BF512F ADSP-BF514 ADSP-BF514F ADSP-BF516 ADSP-BF516F ADSP-BF518 ADSP-BF518F	ADZS-BF518F-EZBRD <i>Key Features</i> <ul style="list-style-type: none">ADSP-BF518F Blackfin processorSDRAMFlashSPI flashAudio codecPower analysis interfaceEthernet PHYAnalog-to-digital converterThumbwheelUARTRTC battery	ADZS-BF518F-EZLITE ADZS-BFLLCD-EZEXT ADZS-DBGAGENT-BRD ADZS-BLUET-EZEXT ADZS-BF5HUSB-EZEXT			
ADSP-BF522 ADSP-BF522C ADSP-BF524 ADSP-BF524C ADSP-BF526 ADSP-BF526C	ADZS-BF526-EZBRD <i>Key Features</i> <ul style="list-style-type: none">ADSP-BF526 Blackfin processorSDRAMFlash: 4 MB (2M × 16)NAND flash: 2 GbSPI flashAudio codecPower analysis interfaceEthernet PHYBattery or USB bus powered	ADZS-BF526-EZLITE ADZS-DBGAGENT-BRD ADZS-BFLLCD-EZEXT ADZS-BLUET-EZEXT ADZS-BF5HUSB-EZEXT	ADZS-ICE-100B ADZS-USB-ICE ADZS-HPUSB-ICE	VDSP-BKFN-PC-TEST VDSP-BLKFN-PC-FULL VDSP-BLKFN-PCFLOAT VDSP-BLKFN-PCFLT-5	Adeneo Embedded (ADSP-BF51x parts only) Arcturus (ADSP-BF54x parts only) MathWorks® (ADSP-BF531/ADSP-BF532/ADSP-BF533/ADSP-BF534/ADSP-BF536/ADSP-BF537/ADSP-BF538/ADSP-BF539 only) µClinux—open source (All parts except ADSP-BF535 and ADSP-BF50x family) GNU toolchain (Not available for the ADSP-BF535)
ADSP-BF523 ADSP-BF523C ADSP-BF525 ADSP-BF525C ADSP-BF527 ADSP-BF527C	ADZS-BF527-EZLITE <i>Key Features</i> <ul style="list-style-type: none">ADSP-BF527 Blackfin processorSDRAMNAND flash: 4 GbAudio codecHS USB OTGEthernet PHYLCD displayTouch screen/keyboard controller	ADZS-BF527-MPSKIT ADZS-BFAV-EZEXT ADZS-BFFPGA-EZEXT			
ADSP-BF531 ADSP-BF532 ADSP-BF533	ADZS-BF533-EZLITE <i>Key Features</i> <ul style="list-style-type: none">ADSP-BF533 Blackfin processor64 MB (32M × 16-bit) SDRAM2 MB (512k × 16-bit × 2) flash memoryAD1836 96 kHz audio codec with 4 input and 6 output RCA jacksADV7183 video decoder with 3 input RCA jacksADV7171 video encoder with 3 output RCA jacksADM3202 RS-232 line driver/receiver	ADZS-BF-EZEXT-1 ADZS-BFAV-EZEXT ADZS-USBLAN-EZEXT ADZS-BFAUDIO-EZEXT ADZS-BFFPGA-EZEXT ADZS-BF533-MMSKIT			

Blackfin Processor Development Tools (continued)

Blackfin Processor	Hardware	Emulator	VisualDSP++ Development Software	Additional Software Available	
ADSP-BF534 ADSP-BF536 ADSP-BF537	ADZS-BF537-EZLITE <i>Key Features</i> <ul style="list-style-type: none"> ADSP-BF537 Blackfin processor Max core clock rate of 600 MHz 64 MB (32M × 16) SDRAM, 4 MB (2M × 16) flash memory SMSC LAN83C185 10/100 PHY with RJ45 connector CAN TJA1041 transceiver with 2 RJ10 connectors AD1871 96 kHz stereo ADC with 1/8" jack connector AD1854 96 kHz stereo DAC with 1/8" jack connector RS-232 UART line driver/receiver National Instruments Educational Laboratory Virtual Instrumentation Suite (NI ELVIS) interface 	ADZS-BLUET-EZEXT ADZS-BFAV-EZEXT ADZS-BFLLCD-EZEXT ADZS-USBLAN-EZEXT ADZS-BFAUDIO-EZEXT ADZS-BFFPGA-EZEXT ADZS-BF537-ASKIT Additional Hardware <ul style="list-style-type: none"> ADSP-BF537-STAMP PHYTEC Phycore® 			
ADSP-BF538 ADSP-BF538F	ADZS-BF538F-EZLITE <i>Key Features</i> <ul style="list-style-type: none"> ADSP-BF538F Blackfin processor 64 MB (32M × 16) SDRAM 4 MB (2M × 16) flash memory ADM3202 RS-232 line driver/receiver AD1871 96 kHz stereo ADC AD1854 96 kHz stereo DAC TJA1041 transceiver 2 RJ10 connectors 9 LEDs 	ADZS-BFLLCD-EZEXT	ADZS-ICE-100B ADZS-USB-ICE ADZS-HPUSB-ICE	VDSP-BKFN-PC-TEST VDSP-BLKFN-PC-FULL VDSP-BLKFN-PCFLOAT VDSP-BLKFN-PCFLT-5	Adeneo Embedded (ADSP-BF51x parts only) Arcturus (ADSP-BF54x parts only) MathWorks (ADSP-BF531/ADSP-BF532/ ADSP-BF533/ADSP-BF534/ ADSP-BF536/ADSP-BF537/ ADSP-BF538/ADSP-BF539 only) μ.Clinux—open source (All parts except ADSP-BF535 and ADSP-BF50x family) GNU toolchain (Not available for the ADSP-BF535)
ADSP-BF542 ADSP-BF544 ADSP-BF547 ADSP-BF548	ADZS-BF548-EZLITE <i>Key Features</i> <ul style="list-style-type: none"> ADSP-BF548 Blackfin processor DDR SDRAM BURST flash NAND flash Hard drive LCD display AC'97 codec Ethernet PHY Touch screen/keyboard controller 	ADZS-BLUET-EZEXT ADZS-BFAV-EZEXT ADZS-BFFPGA-EZEXT ADZS-BFLLCD-EZEXT ADZS-BF548-MPSKIT			
ADSP-BF561	ADZS-BF561-EZLITE <i>Key Features</i> <ul style="list-style-type: none"> ADSP-BF561 Blackfin processor 64 MB (16M × 16-bit × 2) SDRAM 8 MB (4M × 16-bit) flash memory AD1836 multichannel 96 kHz audio codec RCA jacks for stereo audio input/output ADV7183A advanced 10-bit video decoder 3 RCA jacks for composite (CVBS), differential component (YUV), or S-Video (Y/C) input ADV7179 chip scale NTSC/PAL video encoder 3 RCA jacks for composite (CVBS), component (RGB), differential component (YUV), or S-Video (Y/C) output 	ADZS-BF561-MMSKIT			

Blackfin Processor Product Portfolio

	ADSP-BF592*	ADSP-BF504* ADSP-BF504F ADSP-BF506F	ADSP-BF512*	ADSP-BF514 ADSP-BF516 ADSP-BF518*	ADSP-BF522 ADSP-BF524 ADSP-BF526	ADSP-BF523 ADSP-BF525* ADSP-BF527	ADSP-BF531* ADSP-BF532*	ADSP-BF533*	ADSP-BF534* ADSP-BF535 ADSP-BF536	ADSP-BF537	ADSP-BF538 ADSP-BF539*	ADSP-BF542* ADSP-BF544* ADSP-BF547 ADSP-BF548	ADSP-BF561*	Future
Low BOM Cost	•	•	•		•	•	•							
Baseline Connectivity	•	•	•		•	•	•	•					•	
System-Level Connectivity		•		•	•	•			•	•	•	•		•
Low Standby	•	•	•	•	•									•
Lockbox Security			•	•	•	•						•		•
System Integration (Flash, Mixed-Signal)		•	•	•	•	•					•			
600 MHz or Greater						•		•		•		•	•	•
Multicore													•	•

*Automotive grade available.

Blackfin Processor Target Applications

ADSP-BF592: Low cost DSP for audio and imaging applications.

ADSP-BF504/ADSP-BF504F/ADSP-BF506F: Optimized for industrial control and advanced power applications, as well as low cost general-purpose DSP applications.

ADSP-BF512/ADSP-BF514/ADSP-BF516/ADSP-BF518: Low cost, low power, general-purpose parts with enhanced Internet and consumer connectivity.

ADSP-BF523/ADSP-BF525/ADSP-BF527 and ADSP-BF522/ADSP-BF524/ADSP-BF526: Low power processors that balance the combination of high performance, power efficiency, and system integration to enable highly optimized designs.

ADSP-BF531/ADSP-BF532: Low power, general-purpose processors for audio, voice, imaging, biometrics, and industrial applications.

ADSP-BF533: High performance for consumer video, security/surveillance, broadband home gateways, and automotive vision systems.

ADSP-BF534: CAN connectivity for automotive, industrial, and medical applications.

ADSP-BF535: Optimized for networked Internet appliances, central office/network switches, industrial control, and automation applications.

ADSP-BF536/ADSP-BF537: Embedded network connectivity for video, industrial, biometrics, instrumentation, medical, and consumer appliances.

ADSP-BF538/ADSP-BF538F: Ideally suited for a broad range of industrial, instrumentation, and medical appliance applications.

ADSP-BF542/ADSP-BF544/ADSP-BF547/ADSP-BF548: High performance convergent multimedia processors with a flexible platform for industrial, instrumentation, consumer, communications, and automotive applications.

ADSP-BF561: Symmetric multiprocessor optimized for high performance signal and media processing.

Third-Party Developers

More than 200 third parties provide software, hardware, and consulting services to support Blackfin embedded processors. For more information, visit www.analog.com/processors/collaborative.

Hardware

- Companion chip/chipsets
- Development boards
- Development systems
- Emulators
- Evaluation/starter boards
- Reference designs
- COTS DSP boards
- Daughter boards

Software and Algorithms

- Speech G.7xx
- Telephony (DTMF, caller ID, etc.)
- Echo cancellation
- Audio (MP3, AAC/AAC+, WMA9, Dolby,[®] DTS,[®] etc.)
- Video/imaging (JPEG, MPEG-2/MPEG-4, H.264, H.263, WMV9, etc.)
- Image processing
- Facial/object recognition software
- VoIP suites
- Embedded Web browser
- Voice recognition
- Proprietary algorithms (3D audio effects, etc.)

OS/RTOS

- Green Hills[®] Software/Integrity[®]
- Green Hills Software/veIOSity[™]
- Green Hills Software/ μ -veIOSity[™]
- Express Logic/ThreadX[®]
- Micri μ m μ C/OS-II
- Quadros Systems/RTXC[™] Quadros
- Unicoi Systems[™]/Fusion[™]
- KADAK Systems/KwikNet[™]
- Open Source/ μ Clinux
- Analog Devices VisualDSP++ Kernel

Design Test, Verification, and Validation

- National Instruments
- The MathWorks

Software IDDE Tools

- Green Hills Software/MULTI[®]
- GAIO Technology/Blackfin design kit

HW Development Kits

- PHYTEC/Rapid Development Kits
- Arcturus Networks

Design Services

- Boston Engineering
- Schmid Engineering
- Advanced Energy Conversion

Complimentary Support Resources

EngineerZone Online Support Community

www.EZ.analog.com

Blackfin Visual Training and Development

www.analog.com/vtd

Analog Devices Sales and Distributors

www.analog.com/salesdir

Worldwide Processor and Development Tools Technical Support

www.analog.com/support

Follow Us On



<http://www.twitter.com/blackfin>



Network with our LinkedIn Group: Analog Devices Blackfin

www.linkedin.com

Companion Power Selection Guide for the Blackfin Processor

ADI power management products provide optimized power for Blackfin products—whether it's a single processor or multiple processors, in handheld or high power applications. ADI has a solution to meet your needs.

How to Use This Guide

Determine the peak current requirement for each rail of your processor by referring to the relevant data sheets and engineer-to-engineer notes. Then, use this companion guide to select a power solution that offers the required V_{OUT} for that rail.

The ADIsimPower™ design tool offers a complete set of features to create a complete BOM for all of these solutions. Visit www.analog.com/ADIsimPower.

Blackfin Processors		Speed (MHz)	Min Voltage (V)	Max Voltage (V)	Max IDD_{INT} (mA)	LDO Regulators										Switch												
						ADP1720	ADP220	ADP170	ADP123	ADP125	ADP1752	ADP1753	ADP1708	ADP1754	ADP1740	ADP1741	ADP2102	ADP2140	ADP2108	ADP5020	ADP5022							
						Part Number	Output Voltage Range (V)	Input Voltage Range (V)	Maximum Output Current (A)	50 mA	Dual 200 mA	300 mA	300 mA	500 mA	800 mA	1.0	1.2	2.0	600 mA	Buck and LDO 600 mA, 300 mA	600 mA	Dual buck and LDO 0.6 + 0.6, 0.15	Dual buck and LDO 0.6 + 0.25, 0.15					
VDD _{INT} Domain		All	1.1	1.47	300	•	•	•	•	•	•	•	•	•	•	•	•	•	•	•	•	•	•	•				
		All	1.1	1.47	250	•	•	•	•	•	•	•	•	•	•	•	•	•	•	•	•	•	•	•	•			
		All	1.235	1.47	250	•	•	•	•	•	•	•	•	•	•	•	•	•	•	•	•	•	•	•	•	•		
		All	0.95	1.26	500	•	•	•	•	•	•	•	•	•	•	•	•	•	•	•	•	•	•	•	•	•	•	
		400	0.8	1.32	350	•	•	•	•	•	•	•	•	•	•	•	•	•	•	•	•	•	•	•	•	•	•	
		500, 533, 600	0.8	1.45	900	•	•	•	•	•	•	•	•	•	•	•	•	•	•	•	•	•	•	•	•	•	•	
		300, 400	0.8	1.32	400	•	•	•	•	•	•	•	•	•	•	•	•	•	•	•	•	•	•	•	•	•	•	
		500, 533, 600	0.8	1.43	900	•	•	•	•	•	•	•	•	•	•	•	•	•	•	•	•	•	•	•	•	•	•	•
		400, 533	0.8	1.375	850	•	•	•	•	•	•	•	•	•	•	•	•	•	•	•	•	•	•	•	•	•	•	•
		400	0.9	1.43	750	•	•	•	•	•	•	•	•	•	•	•	•	•	•	•	•	•	•	•	•	•	•	•
533, 600	0.9	1.43	1350	•	•	•	•	•	•	•	•	•	•	•	•	•	•	•	•	•	•	•	•	•	•	•		
All	0.8	1.42	1600	•	•	•	•	•	•	•	•	•	•	•	•	•	•	•	•	•	•	•	•	•	•	•		
Other Domains*		1.7	1.8, 2.5, 3.3	3.6	N/A	•	•	•	•	•	•	•	•	•	•	•	•	•	•	•	•	•	•	•	•	•		
		1.7	1.8, 2.5, 3.3	3.6	N/A	•	•	•	•	•	•	•	•	•	•	•	•	•	•	•	•	•	•	•	•	•	•	
		2.5	2.6	2.7	N/A	•	•	•	•	•	•	•	•	•	•	•	•	•	•	•	•	•	•	•	•	•	•	•
		3	3.3	3.6	30	•	•	•	•	•	•	•	•	•	•	•	•	•	•	•	•	•	•	•	•	•	•	•
		2.25	2.5	2.75	25	•	•	•	•	•	•	•	•	•	•	•	•	•	•	•	•	•	•	•	•	•	•	•

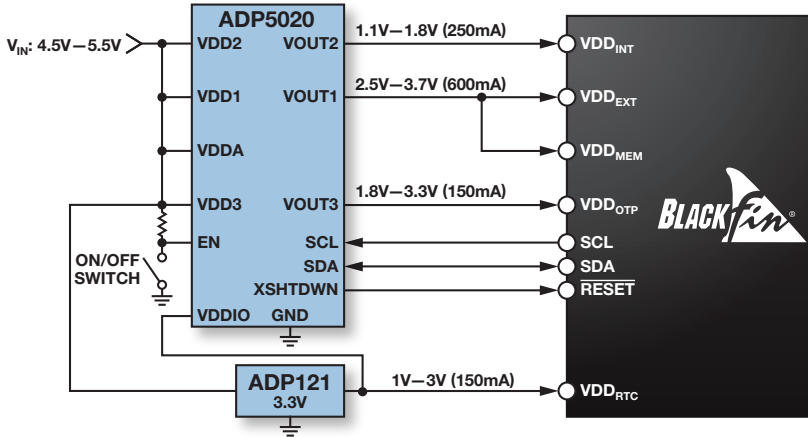
• Indicates that the regulator will support the current draw at the maximum specified frequency, voltage, and industrial temperature.

• Indicates that the regulator will support the current draw in some applications, but the maximum IDD_{INT} must be calculated using the appropriate Blackfin data sheet to ensure compatibility.

*Refer to the relevant data sheet and engineer-to-engineer note to determine the exact "other domain" requirements of each individual processor.

Many applications power more than one device or domain using a single regulator. Compute and add the maximum current draw for each device and domain in a particular application before choosing a regulator.

Example* Power Solution for Blackfin Processors



* Numerous variables affect the power requirements of an embedded system. Ambient temperature, core and system frequency, supply voltages, pin capacitances, power modes, application code, and peripheral utilization all contribute to the average power requirements; therefore, this is just one suggested solution.

Analog Devices, Inc. Worldwide Headquarters

Analog Devices, Inc.
One Technology Way
Norwood, MA 02062-9106
U.S.A.
Tel: 781.329.4700
(800.262.5643,
U.S.A. only)
Fax: 781.461.3113

Analog Devices, Inc. Europe Headquarters

Analog Devices, Inc.
Wilhelm-Wagenfeld-Str. 6
80807 Munich
Germany
Tel: 49.89.76903.0
Fax: 49.89.76903.157

Analog Devices, Inc. Japan Headquarters

Analog Devices, KK
New Pier Takeshiba
South Tower Building
1-16-1 Kaigan, Minato-ku,
Tokyo, 105-6891
Japan
Tel: 813.5402.8200
Fax: 813.5402.1064

Analog Devices, Inc. Southeast Asia Headquarters

Analog Devices
22/F One Corporate Avenue
222 Hu Bin Road
Shanghai, 200021
China
Tel: 86.21.2320.8000
Fax: 86.21.2320.8222

Looking for pricing, stock, or lifecycle information?

Click below to explore more details on WIN SOURCE:

- ⊖ [View ADSP-BF512BSWZ-4F4 on WIN SOURCE](#)
- ⊖ [Analog Devices Inc. Information](#)

Optimize Your Supply Chain with WIN SOURCE Solutions

- ✓ Global Sourcing Solution
- ✓ Obsolete Management
- ✓ Cost Control Management
- ✓ Shortage Management
- ✓ Alternative Solution
- ✓ Excess Inventory Management