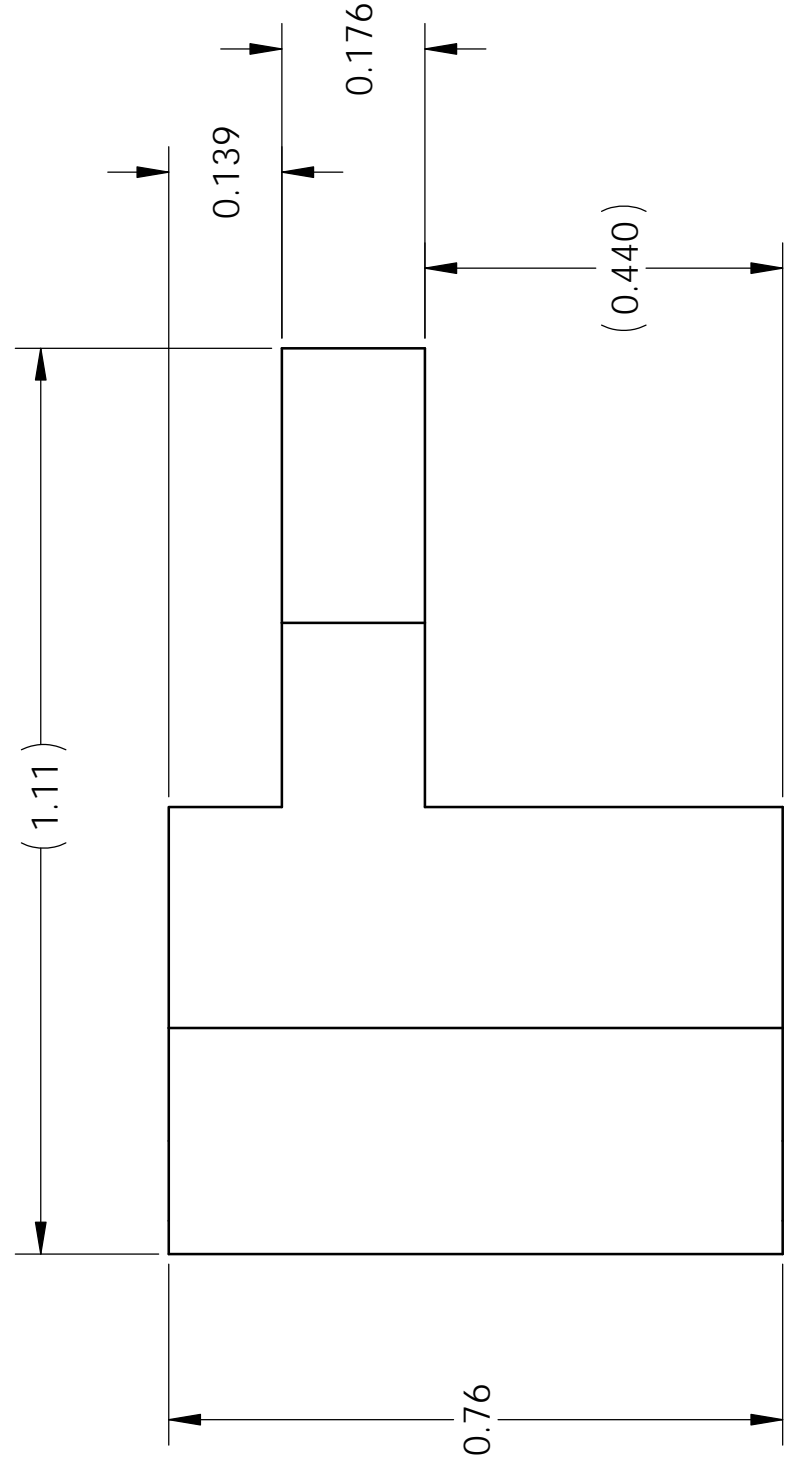
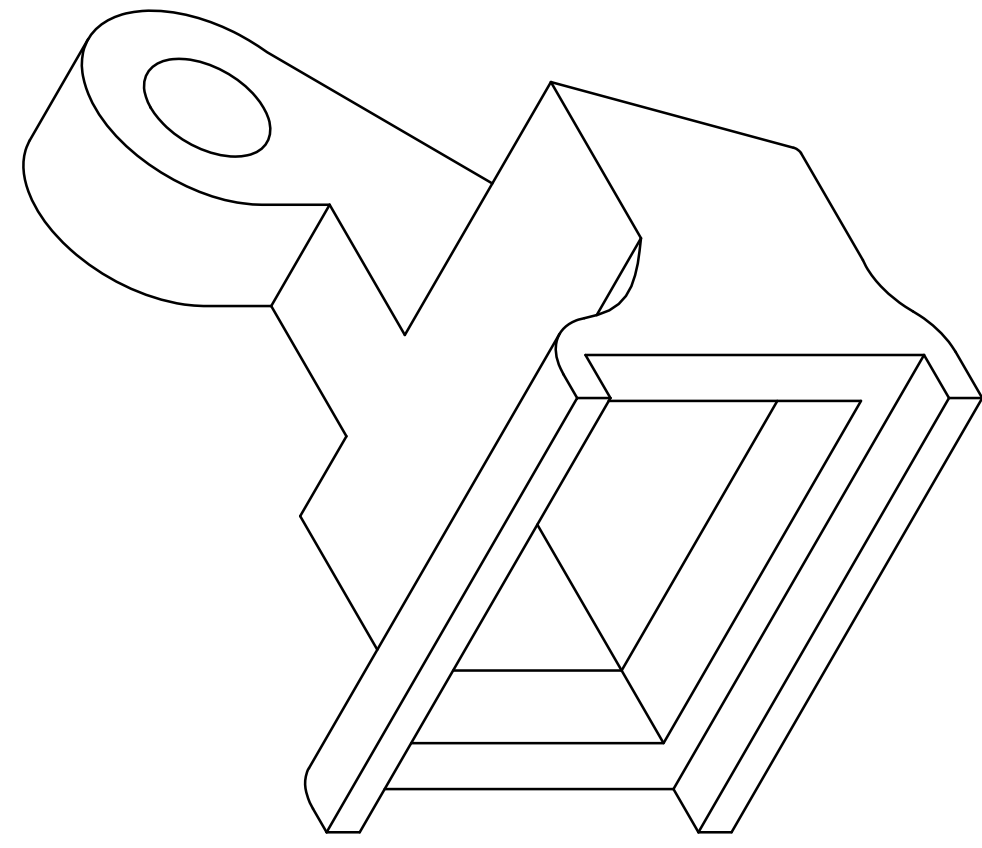


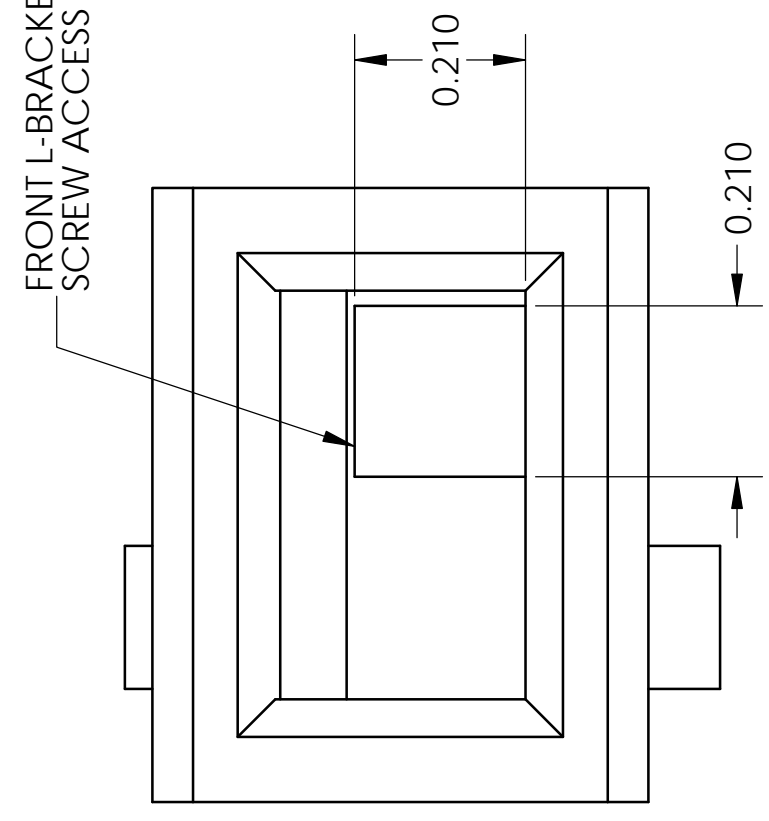
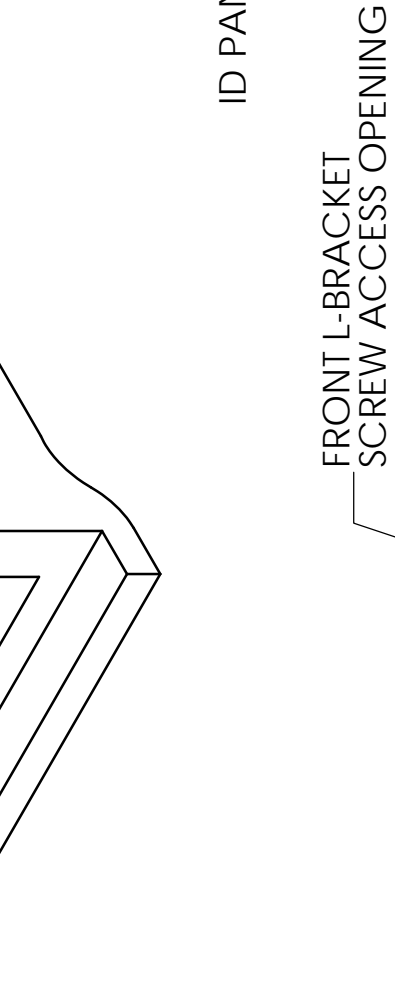


# THE DATASHEET OF CM10



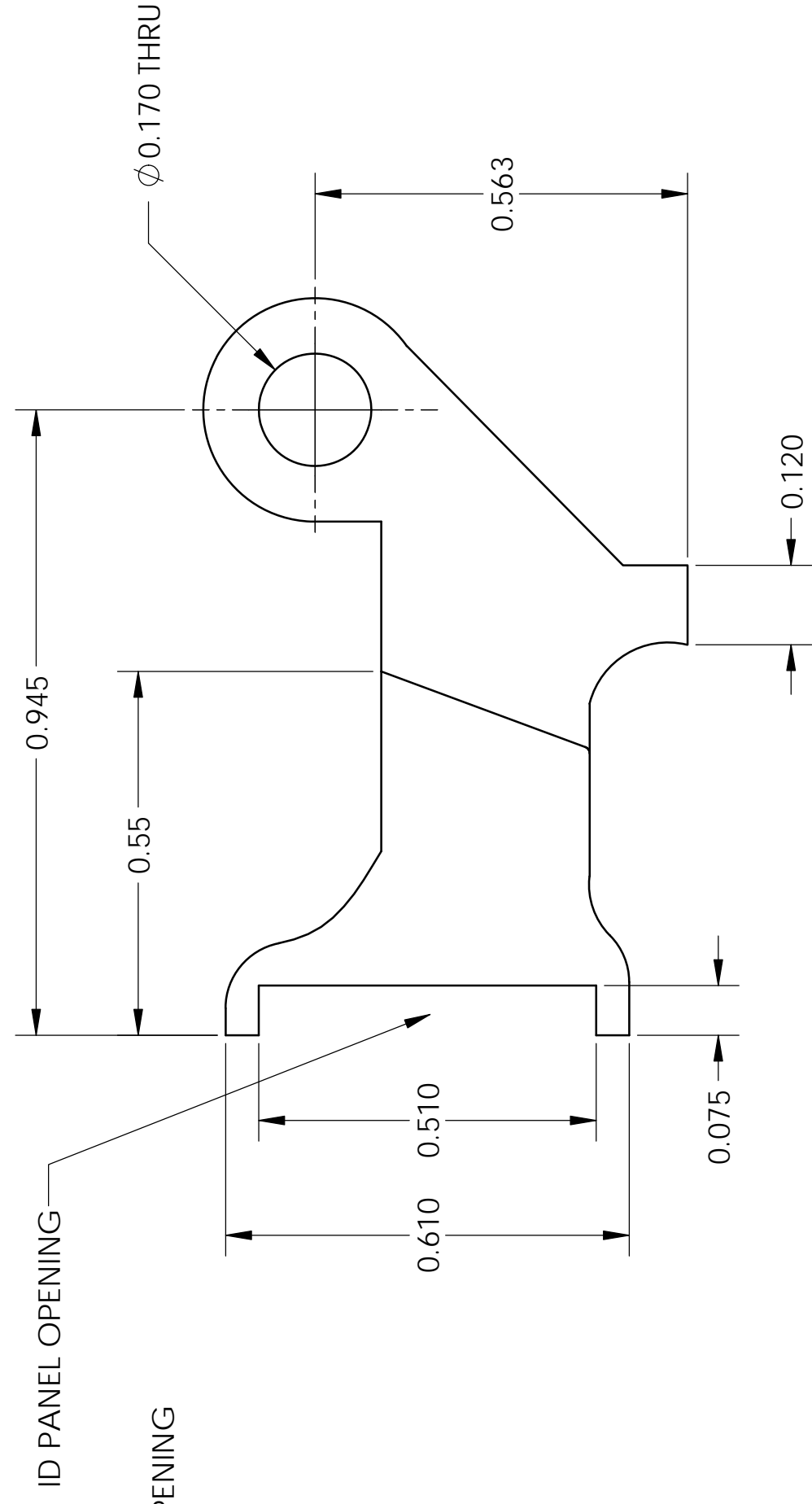
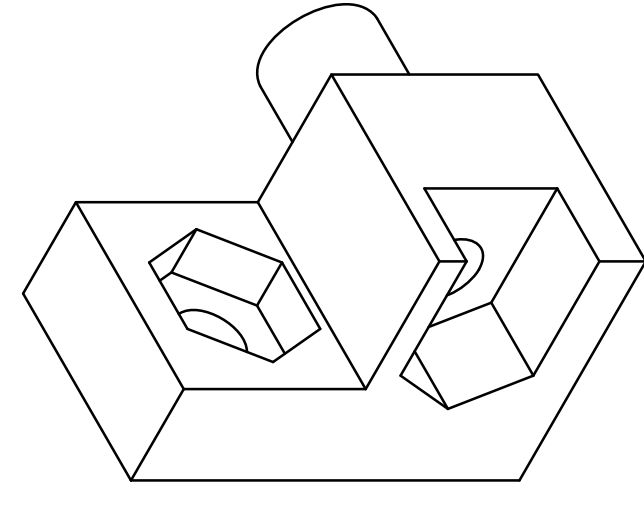


FRONT ALUMINUM (NOT P.)



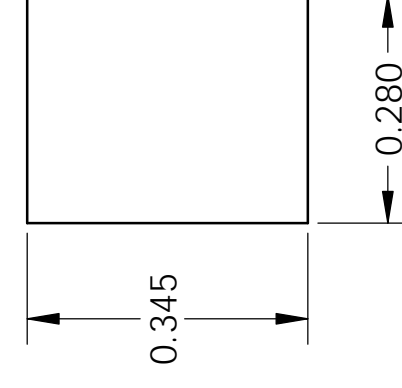
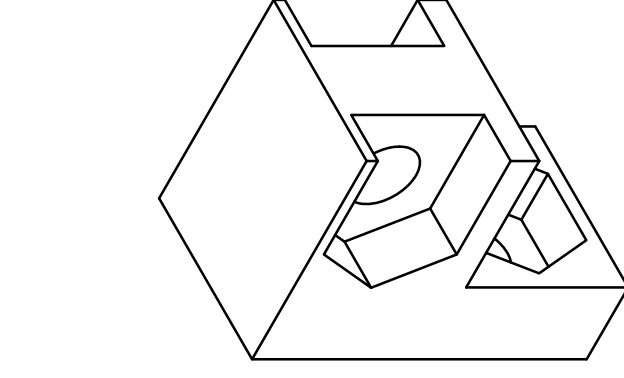
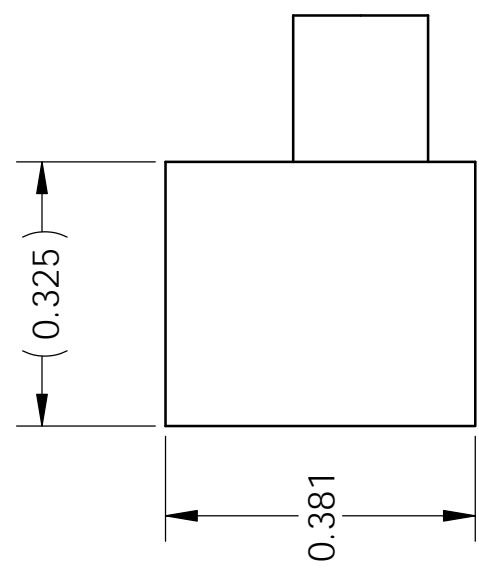
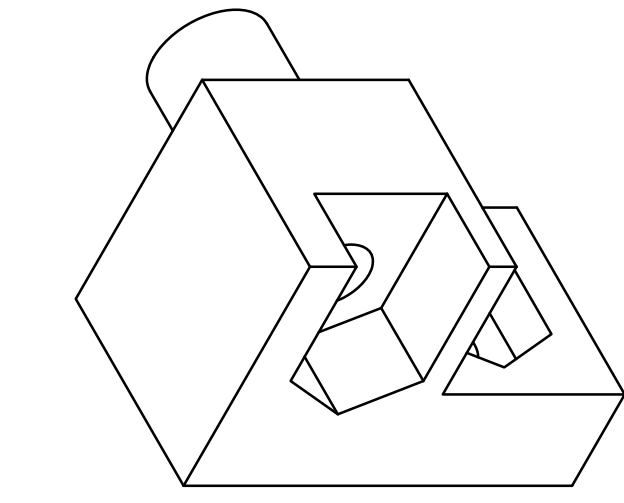
CENTER OPTICAL HIGH P.

**TOP EJECTOR HANDLE DETAIL**  
MIRROR VIEW OF BOTTOM HANDLE



EJECTOR HANDLE BOTTOM

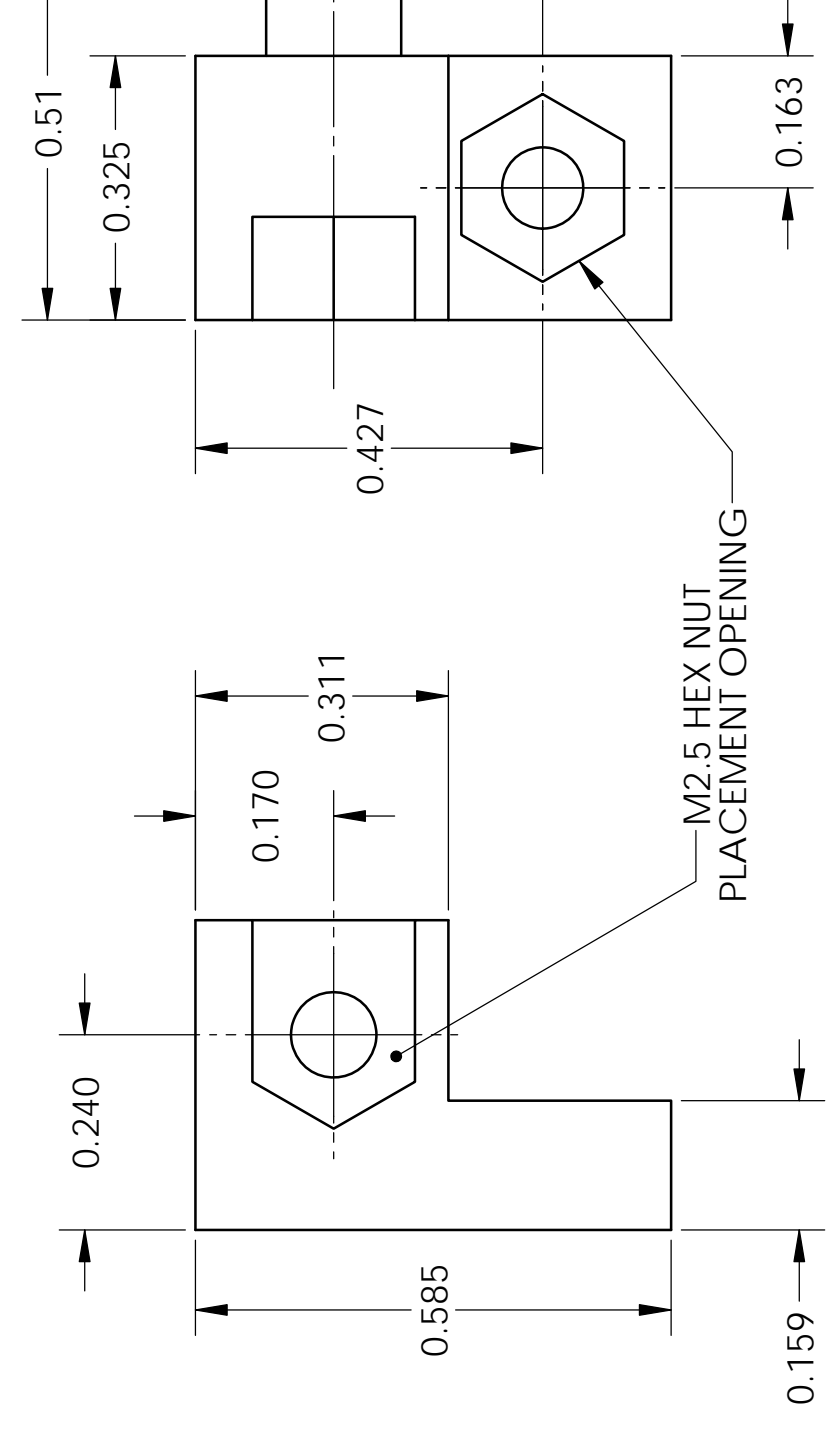
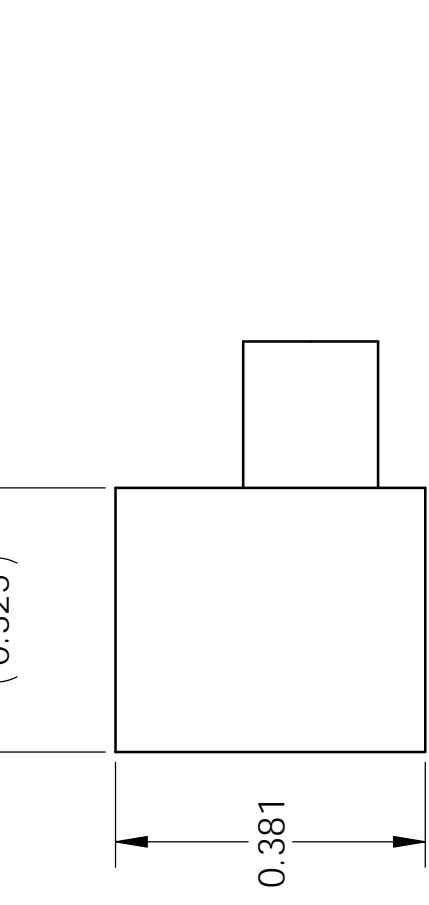
**BOTTOM EJECTOR HANDLE DETAIL**



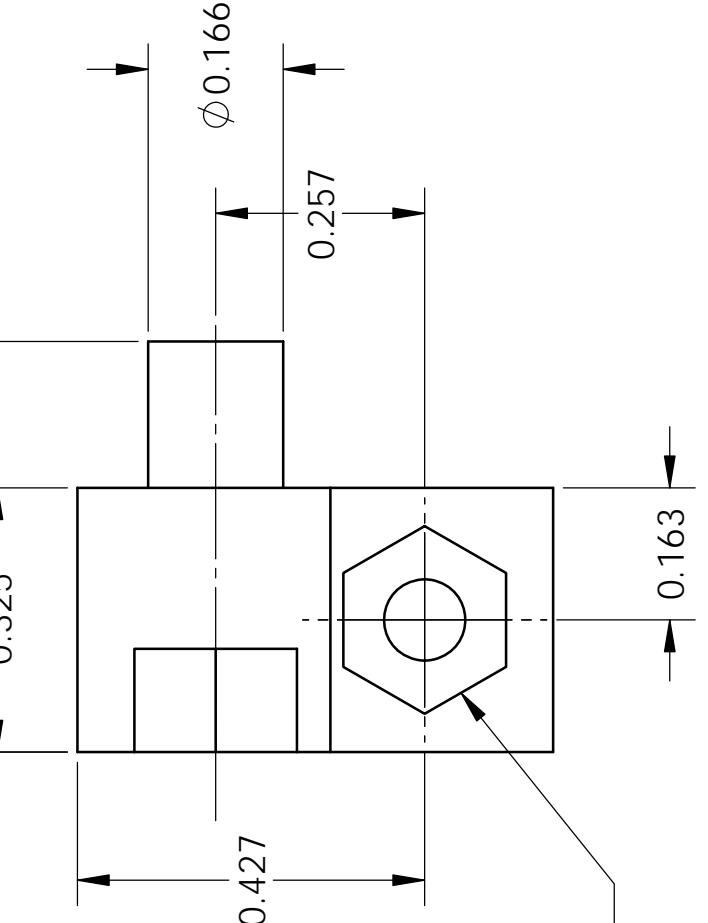
**TOP SUPPORT BRACKET DETAIL**  
MIRROR VIEW OF BOTTOM BRACKET

ID PANEL

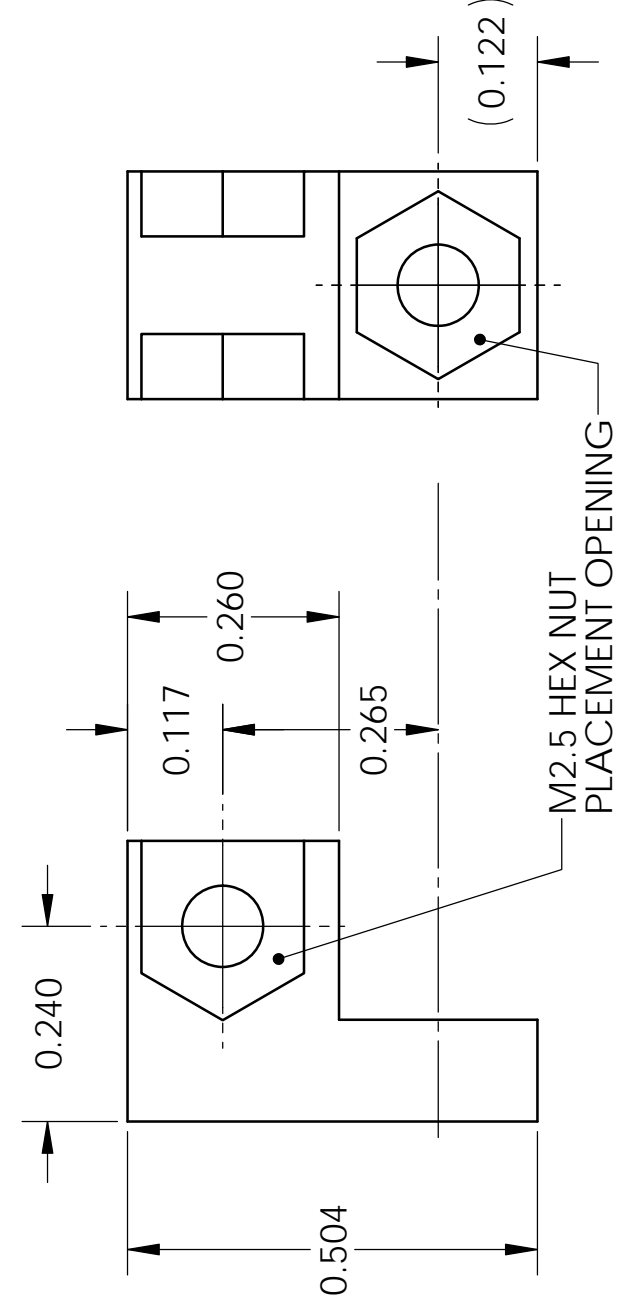
M2.5 X 11mm LC CAPTIVE SCREW  
 M2.5 X 8 FLAT HEAD  
 RETAIN



**BOTTOM SUPPORT BRACKET DETAIL**



**CENTER L-BRACKET DETAIL**



ITEM NO	DESC
1	EJECTOR H.
2	EJECTOR
3	SUPPORT BR.
4	SUPPORT
5	ID
6	CENTER
7	RETAIN
8	CAPTIVE SCREW
9	SCREW, FLAT HE
10	SCREW, PAN HE
11	SCREW, PAN HE
12	HEX NUT.

Looking for pricing, stock, or lifecycle information?

Click below to explore more details on WIN SOURCE:

[View CM10 on WIN SOURCE](#)

[Vector Electronics Information](#)

#### Optimize Your Supply Chain with WIN SOURCE Solutions

- ✓ Global Sourcing Solution
- ✓ Obsolete Management
- ✓ Cost Control Management
- ✓ Shortage Management
- ✓ Alternative Solution
- ✓ Excess Inventory Management