

Voltage Protection for 2-Series, 3-Series, or 4-Series Cell Li-Ion Batteries (Second-Level Protection)

Check for Samples: [bq29440](#), [bq2944L0](#), [bq29441](#), [bq29442](#), [bq29443](#), [bq29449](#), [bq2944L9](#)

FEATURES

- 2-Series, 3-Series, or 4-Series Cell Secondary Protection
- External Capacitor-Controlled Delay Timer
- Low Power Consumption $I_{CC} < 2 \mu\text{A}$ Typical [$V_{\text{CELL(ALL)}} < V_{\text{PROTECT}}$]
- High-Accuracy Overvoltage Protection: ± 25 mV with $T_A = 0^\circ\text{C}$ to 60°C
- Fixed Overvoltage Protection Thresholds: 4.30 V, 4.35 V, 4.40 V, 4.45 V, 4.50 V
- Small 8L QFN Package

APPLICATIONS

- Second-Level Protection in Li-Ion Battery Packs
 - Notebook Computers
 - Power Tools
 - Portable Equipment and Instrumentation

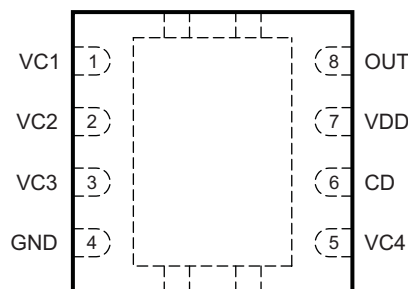
DESCRIPTION

The bq2944x is a secondary overvoltage protection IC for 2-series, 3-series, or 4-series cell Li-Ion battery packs that incorporates a high-accuracy precision overvoltage detection circuit.

FUNCTION

The voltage of each cell in a battery pack is compared to an internal reference voltage. If any cells reach an overvoltage condition, the bq2944x device starts a timer that provides a delay proportional to the capacitance on the CD pin. Upon expiration of the internal timer, the OUT pin changes from a low state to a high state. An optional latch configuration is available that holds the OUT pin in a high state indefinitely after an overvoltage condition has satisfied the specified delay timer period. The latch is released when the CD pin is shorted to GND.

DRB Package
(Top View)



P0012-02



Please be aware that an important notice concerning availability, standard warranty, and use in critical applications of Texas Instruments semiconductor products and disclaimers thereto appears at the end of this data sheet.



These devices have limited built-in ESD protection. The leads should be shorted together or the device placed in conductive foam during storage or handling to prevent electrostatic damage to the MOS gates.

Table 1. ORDERING INFORMATION⁽¹⁾

| T _A | PART NUMBER | OUT PIN LATCH OPTION | PACKAGE | PACKAGE DESIGNATOR | PACKAGE MARKING | OVP | ORDERING INFORMATION ⁽²⁾ | |
|-----------------|-------------|----------------------|---------|--------------------|-----------------|--------|--------------------------------------|--------------------------------------|
| | | | | | | | TAPE AND REEL (LARGE) ⁽³⁾ | TAPE AND REEL (SMALL) ⁽⁴⁾ |
| -40°C to +110°C | BQ29440 | No | QFN-8 | DRB | 440 | 4.35 V | BQ29440DRBR | BQ29440DRBT |
| | BQ2944L0 | Yes | | | 44L0 | 4.35 V | BQ2944L0DRBR | BQ2944L0DRBT |
| | BQ29441 | No | | | 441 | 4.40 V | BQ29441DRBR | BQ29441DRBT |
| | BQ29442 | No | | | 442 | 4.45 V | BQ29442DRBR | BQ29442DRBT |
| | BQ29443 | No | | | 443 | 4.50 V | BQ29443DRBR | BQ29443DRBT |
| | BQ29449 | No | | | 449 | 4.30 V | BQ29449DRBR | BQ29449DRBT |
| | BQ2944L9 | Yes | | | 44L9 | 4.30 V | BQ2944L9DRBR | BQ2944L9DRBT |

- (1) Example: bq2944L0DRBR is a device with the OUT latch option with a V_{OV} threshold of 4.35 V. Contact Texas Instruments for other V_{OV} threshold options.
- (2) For the most current package and ordering information, see the Package Addendum at the end of this document, or the TI website at www.ti.com.
- (3) Large tape and reel quantity is 3,000 units.
- (4) Small tape and reel quantity is 250 units.

THERMAL INFORMATION

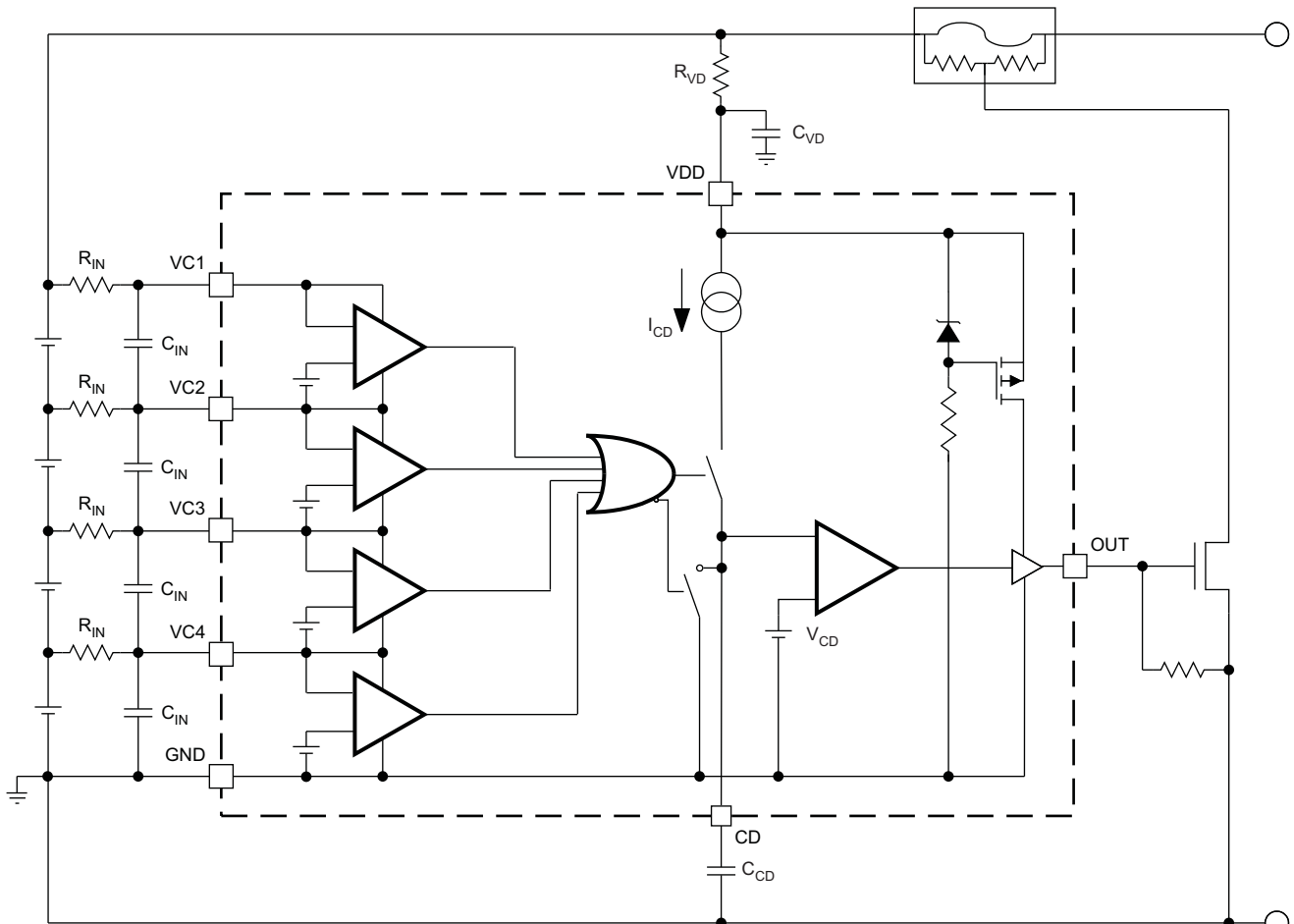
| THERMAL METRIC ⁽¹⁾ | | bq2944x | UNITS |
|-------------------------------|---|---------|-------|
| | | DRB | |
| | | 8 PINS | |
| θ _{JA} | Junction-to-ambient thermal resistance ⁽²⁾ | 50.5 | °C/W |
| θ _{JC(top)} | Junction-to-case(top) thermal resistance ⁽³⁾ | 25.1 | |
| θ _{JB} | Junction-to-board thermal resistance ⁽⁴⁾ | 19.3 | |
| ψ _{JT} | Junction-to-top characterization parameter ⁽⁵⁾ | 0.7 | |
| ψ _{JB} | Junction-to-board characterization parameter ⁽⁶⁾ | 18.9 | |
| θ _{JC(bottom)} | Junction-to-case(bottom) thermal resistance ⁽⁷⁾ | 5.2 | |

- (1) For more information about traditional and new thermal metrics, see the *IC Package Thermal Metrics* application report, [SPRA953](#).
- (2) The junction-to-ambient thermal resistance under natural convection is obtained in a simulation on a JEDEC-standard, high-K board, as specified in JESD51-7, in an environment described in JESD51-2a.
- (3) The junction-to-case (top) thermal resistance is obtained by simulating a cold plate test on the package top. No specific JEDEC-standard test exists, but a close description can be found in the ANSI SEMI standard G30-88.
- (4) The junction-to-board thermal resistance is obtained by simulating in an environment with a ring cold plate fixture to control the PCB temperature, as described in JESD51-8.
- (5) The junction-to-top characterization parameter, ψ_{JT}, estimates the junction temperature of a device in a real system and is extracted from the simulation data for obtaining θ_{JA}, using a procedure described in JESD51-2a (sections 6 and 7).
- (6) The junction-to-board characterization parameter, ψ_{JB}, estimates the junction temperature of a device in a real system and is extracted from the simulation data for obtaining θ_{JA}, using a procedure described in JESD51-2a (sections 6 and 7).
- (7) The junction-to-case (bottom) thermal resistance is obtained by simulating a cold plate test on the exposed (power) pad. No specific JEDEC standard test exists, but a close description can be found in the ANSI SEMI standard G30-88.

PIN FUNCTIONS

| PIN NAME | PIN NO. | DESCRIPTION |
|----------|---------|--|
| CD | 6 | Connection to external capacitor for programmable delay time |
| GND | 4 | Ground pin |
| OUT | 8 | Output |
| VC1 | 1 | Sense voltage input for top cell |
| VC2 | 2 | Sense voltage input for second-to-top cell |
| VC3 | 3 | Sense voltage input for third-to-top cell |
| VC4 | 5 | Sense voltage input for fourth-to-top cell (bottom cell) |
| VDD | 7 | Power supply |

FUNCTIONAL BLOCK DIAGRAM



B0394-01

ABSOLUTE MAXIMUM RATINGS⁽¹⁾

over operating free-air temperature range (unless otherwise noted)

| | | VALUE/UNIT |
|--------------------------------------|------------------------------------|----------------|
| Supply voltage range, V_{MAX} | VDD–GND | –0.3 to 28 V |
| Input voltage range, V_{IN} | VC1–GND, VC2–GND, VC3–GND | –0.3 to 28 V |
| | VC1–VC2, VC2–VC3, VC3–VC4, VC4–GND | –0.3 to 8 V |
| | CD–GND | –0.3 to 8 V |
| Output voltage range, V_{OUT} | OUT–GND | –0.3 to 28 V |
| Storage temperature range, T_{stg} | | –65°C to 150°C |

(1) Stresses beyond those listed under *Absolute Maximum Ratings* may cause permanent damage to the device. These are stress ratings only and functional operation of the device at these or any other conditions beyond those indicated under *Recommended Operating Conditions* is not implied. Exposure to absolute-maximum-rated conditions for extended periods may affect device reliability.

RECOMMENDED OPERATING CONDITIONS

| | | MIN | NOM | MAX | UNIT |
|------------------------------------|------------------------------------|-----|-----|-----|------------|
| Supply voltage, VDD | | 4 | | 25 | V |
| Input voltage range | VC1–VC2, VC2–VC3, VC3–VC4, VC4–GND | 0 | | 5 | V |
| $t_{d(CD)}$ delay-time capacitance | C_{CD} (See Figure 7.) | | 0.1 | | μ F |
| Voltage monitor filter resistance | R_{IN} (See Figure 7.) | 0.1 | 1 | | k Ω |

RECOMMENDED OPERATING CONDITIONS (continued)

| | | MIN | NOM | MAX | UNIT |
|--|--------------------------|------|-----|-----|--------------------|
| Voltage monitor filter capacitance | C_{IN} (See Figure 7.) | 0.01 | 0.1 | | μF |
| Supply voltage filter resistance | R_{VD} (See Figure 7.) | 0.1 | | 1 | $\text{k}\Omega$ |
| Supply voltage filter capacitance | C_{VD} (See Figure 7.) | | 0.1 | | μF |
| Operating ambient temperature range, T_A | | -40 | | 110 | $^{\circ}\text{C}$ |

ELECTRICAL CHARACTERISTICS

Typical values stated where $T_A = 25^{\circ}\text{C}$ and $V_{DD} = 17\text{ V}$, MIN/MAX values stated where $T_A = -40^{\circ}\text{C}$ to 110°C and $V_{DD} = 4\text{ V}$ to 25 V (unless otherwise noted).

| PARAMETER | | TEST CONDITION | MIN | NOM | MAX | UNIT |
|--------------------|---|---|------|------|------|------------------------|
| $V_{PROTECT}$ | Overvoltage detection voltage | bq29440 | | 4.35 | | V |
| | | bq29441 | | 4.40 | | |
| | | bq29442 | | 4.45 | | |
| | | bq29443 | | 4.50 | | |
| | | bq29449 | | 4.30 | | |
| V_{HYS} | Overvoltage detection hysteresis | For non-latch devices only | 200 | 300 | 400 | mV |
| V_{OA} | Overvoltage detection accuracy | $T_A = 25^{\circ}\text{C}$ | -10 | | 10 | mV |
| V_{OA_DRIFT} | Overvoltage threshold temperature drift | $T_A = 0^{\circ}\text{C}$ to 60°C | -0.4 | | 0.4 | mV/ $^{\circ}\text{C}$ |
| | | $T_A = -40^{\circ}\text{C}$ to 110°C | -0.6 | | 0.6 | |
| X_{DELAY} | Overvoltage delay time scale factor | $T_A = 0^{\circ}\text{C}$ to 60°C Note: Does not include external capacitor variation | 6.0 | 9.0 | 12 | s/ μF |
| | | $T_A = -40^{\circ}\text{C}$ to 110°C Note: Does not include external capacitor variation | 5.5 | 9.0 | 13.5 | |
| X_{DELAY_CTM} | Overvoltage delay time scale factor in Customer Test Mode | See CUSTOMER TEST MODE . | | 0.08 | | s/ μF |
| $I_{CD(CHG)}$ | Overvoltage detection charging current | See Figure 1 . | | 140 | | nA |
| $I_{CD(DSG)}$ | Overvoltage detection discharging current | See Figure 2 . | | 60 | | μA |
| V_{CD} | Overvoltage detection external capacitor comparator threshold | | | 1.2 | | V |
| I_{CC} | Supply current | (VC1-VC2), (VC2-VC3), (VC3-VC4) and (VC4-GND) = 3.5 V See Figure 3 . | | 2 | 3.5 | μA |
| V_{OUT} | OUT pin drive voltage | (VC1-VC2), (VC2-VC3), (VC3-VC4) or (VC4-GND) = $V_{PROTECT}$, $V_{DD} = 20\text{ V}$, $I_{OH} = 0$ to $-10\ \mu\text{A}$ | 6.5 | 8.0 | 9.5 | V |
| | | (VC1-VC2), (VC2-VC3), (VC3-VC4) or (VC4-GND) = $V_{PROTECT}$, $V_{DD} = 4.35\text{ V}$, $I_{OL} = -10\ \mu\text{A}$, $T_A = 0^{\circ}\text{C}$ to 60°C | 1.50 | 3.0 | | V |
| | | (VC1-VC2), (VC2-VC3), (VC3-VC4) or (VC4-GND) = $V_{PROTECT}$, $V_{DD} > 6\text{ V}$, $I_{OH} = -10\ \mu\text{A}$, $T_A = 0^{\circ}\text{C}$ to 60°C | 2.0 | 3.0 | | V |
| | | (VC1-VC2), (VC2-VC3), (VC3-VC4) or (VC4-GND) = 4 V, $I_{OL} = 0\ \mu\text{A}$ | | | 0.1 | V |
| $I_{OUT(SHORT)}$ | OUT short circuit current | OUT = 0 V, (VC1-VC2), (VC2-VC3), (VC3-VC4) or (VC4-GND) > $V_{PROTECT}$, $V_{DD} = 18\text{ V}$ | | | 4 | mA |
| $t_{r(OUT)}^{(1)}$ | OUT output rise time | $C_L = 1\text{ nF}$, $V_{DD} = 4\text{ V}$ to 25 V , $V_{OH(OUT)} = 0\text{ V}$ to 5 V | | 5 | | μs |
| $Z_{O(OUT)}^{(1)}$ | OUT output impedance | | | 2 | | $\text{k}\Omega$ |

(1) Specified by design. Not 100% tested in production.

ELECTRICAL CHARACTERISTICS (continued)

Typical values stated where $T_A = 25^\circ\text{C}$ and $V_{DD} = 17\text{ V}$, MIN/MAX values stated where $T_A = -40^\circ\text{C}$ to 110°C and $V_{DD} = 4\text{ V}$ to 25 V (unless otherwise noted).

| PARAMETER | TEST CONDITION | MIN | NOM | MAX | UNIT |
|---------------------------------------|--|------|-----|-----|---------------|
| I_{IN} Input current at VCx pins | Measured at VC1, (VC1–VC2), (VC2–VC3), (VC3–VC4) and (VC4–GND) = 3.5 V, $T_A = 0^\circ\text{C}$ to 60°C See Figure 3. | -0.3 | | 1.5 | μA |
| | Measured at VC2, VC3 OR VC4, (VC1–VC2), (VC2–VC3), (VC3–VC4) and (VC4–GND) = 3.5 V, $T_A = 0^\circ\text{C}$ to 60°C See Figure 3. | -0.3 | | 0.3 | μA |

TYPICAL CHARACTERISTICS

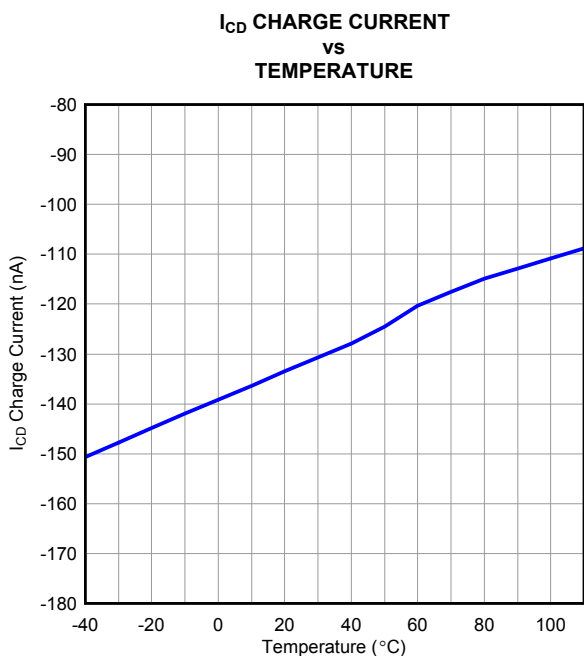


Figure 1. I_{CD} Charge Current

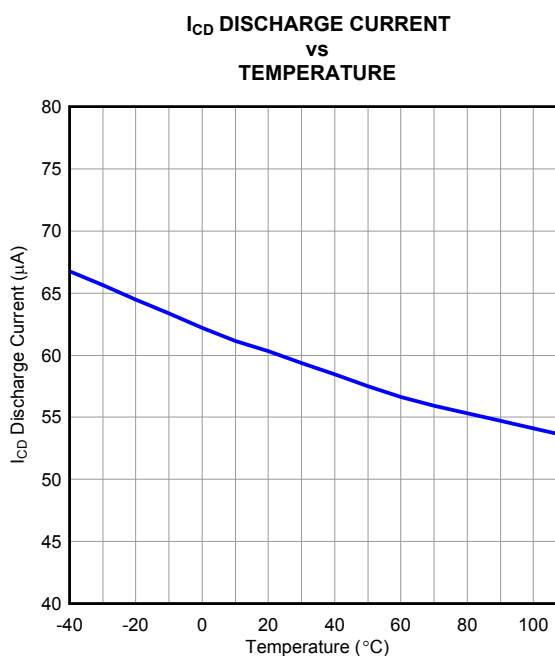


Figure 2. I_{CD} Discharge Current

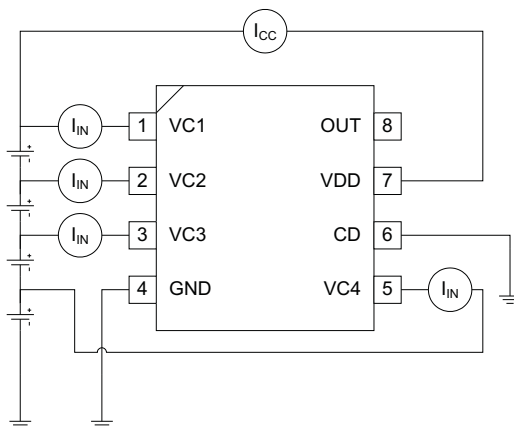
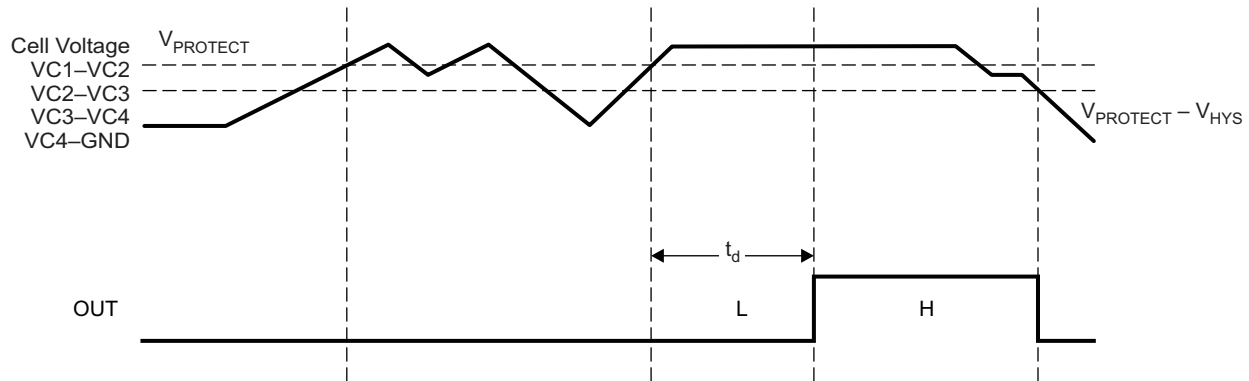


Figure 3. I_{CC} , I_{IN} Measurement

APPLICATIONS INFORMATION

PROTECTION (OUT) TIMING AND DELAY TIME CAPACITOR SIZING

The bq2944x uses an external capacitor to set delay timing during an overvoltage condition. When any of the cells exceed the overvoltage threshold, the bq2944x activates an internal current source of nominally 140 nA, which charges the external capacitor. When the external capacitor charges up to a voltage of nominally 1.2 V, the OUT pin transitions from a low state to a high state, by means of an internal pull-up network, to a regulated voltage of no more than 9.5 V when $I_{OH} = 0$ mA.



T0461-01

Figure 4. Timing for Overvoltage Sensing

Sizing the external capacitor is based on the desired delay time as follows:

$$C_{CD} = \frac{t_d}{X_{DELAY}}$$

Where t_d is the desired delay time and X_{DELAY} is the overvoltage delay time scale factor, expressed in seconds per microFarad. X_{DELAY} is nominally 9.0 s/ μ F. For example, if a nominal delay of 3 seconds is desired, the customer should use a C_{CD} capacitor that is 3 s/9.0 s/ μ F = 0.33 μ F.

The delay time is calculated as follows:

$$t_d = C_{CD} \times X_{DELAY}$$

If the cell overvoltage condition is removed before the external capacitor reaches the reference voltage, the internal current source is disabled and an internal discharge block is employed to discharge the external capacitor down to 0 V. In this instance, the OUT pin remains in a low state.

For latched versions of the bq2944x, if an overvoltage condition has caused the OUT pin to transition to a high state, the external capacitor remains charged even after the overvoltage condition has been removed. In this instance, the OUT pin remains in a high state.

For non-latched versions, the OUT pin is allowed to transition back from a high to low state when the overvoltage condition is no longer present, and the external capacitor is discharged down to 0 V.

BATTERY CONNECTION FOR 2-SERIES, 3-SERIES, AND 4-SERIES CELL CONFIGURATIONS

Figure 5, Figure 6, and Figure 7 show the 2-series, 3-series, and 4-series cell configurations.

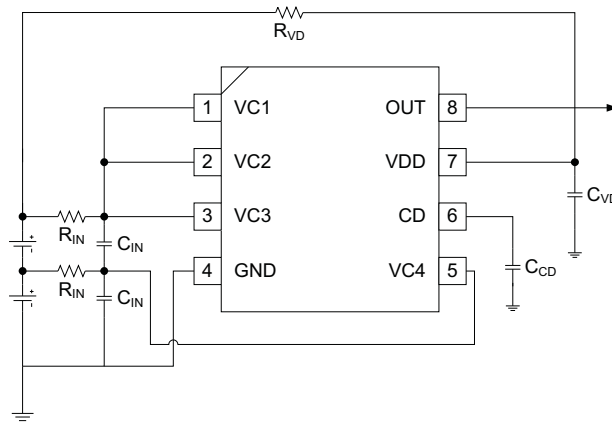


Figure 5. 2-Series Cell Configuration

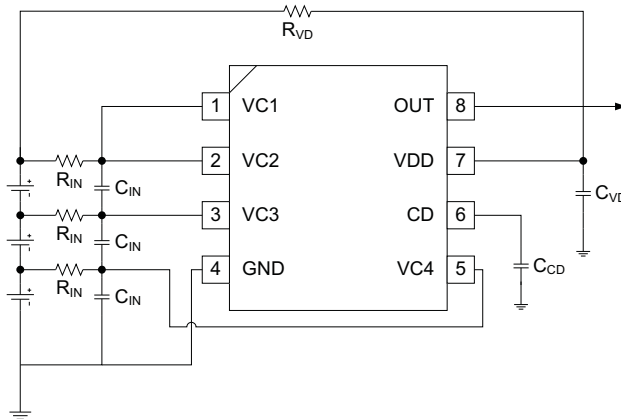


Figure 6. 3-Series Cell Configuration

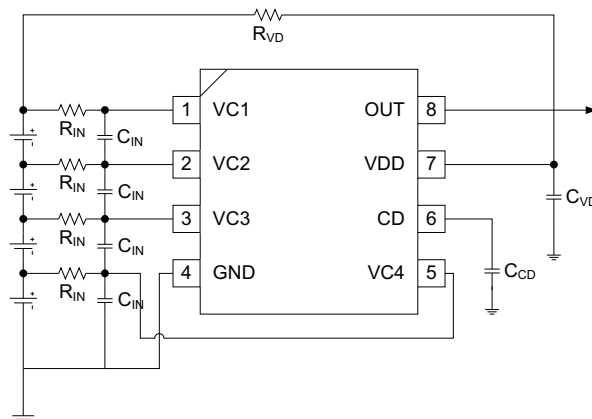


Figure 7. 4-Series Cell Configuration

CELL CONNECTION SEQUENCE

NOTE

Before connecting the cells, propagate the overvoltage delay timing capacitor, C_{CD} .

The recommended cell connection sequence begins from the bottom of the stack, as follows:

1. GND
2. VC4
3. VC3
4. VC2
5. VC1

While not advised, connecting the cells in a sequence other than that described above does not result in errant activity on the OUT pin. For example:

1. GND
2. VC4, VC3, VC2, or VC1
3. Remaining VCx pin
4. Remaining VCx pin
5. Remaining VCx pin

CUSTOMER TEST MODE

Customer Test Mode (CTM) helps to greatly reduce the overvoltage detection delay time and enable quicker customer production testing. This mode is intended for quick-pass board-level verification tests, and, as such, individual cell overvoltage levels may deviate slightly from the specifications ($V_{PROTECT}$, V_{OA}). If accurate overvoltage thresholds are to be tested, use the standard delay settings that are intended for normal use.

To enter CTM, VDD should be set to approximately 9.5 V higher than VC1. When CTM is entered, the device switches from the normal overvoltage delay time scale factor, X_{DELAY} , to a significantly reduced factor, X_{DELAY_CTM} , thereby reducing the delay time during an overvoltage condition. The CTM overvoltage delay time is similar to the equation presented in [PROTECTION \(OUT\) TIMING AND DELAY TIME CAPACITOR SIZING](#) with the substitution of X_{DELAY_CTM} in place of X_{DELAY} :

$$t_{d_CTM} = C_{CD} \times X_{DELAY_CTM}$$

CAUTION

Avoid exceeding any Absolute Maximum Voltages on any pins when placing the part into Customer Test Mode. Also, avoid exceeding Absolute Maximum Voltages for the individual cell voltages (VC1–VC2), (VC2–VC3), (VC3–VC4), and (VC4–GND). Stressing the pins beyond the rated limits may cause permanent damage to the device.

To exit CTM, power off the device and then power it back on.

For latched versions of the bq2944x, the external C_{CD} capacitor must be externally discharged if any overvoltage functionality is exercised during protection testing. This can be accomplished by shorting the CD pin to GND. If the C_{CD} capacitor is not explicitly discharged, a residual charge may cause the overvoltage delay time to be inaccurate.

REVISION HISTORY

| Changes from Revision B (June 2010) to Revision C | Page |
|---|-------------|
| • Added new protection thresholds | 1 |
| • Changed occurrences of V_{DD} to VDD throughout document | 1 |
| • Added part numbers | 2 |
| • Changed the Functional Block Diagram | 3 |
| • Changed the Electrical Characteristics | 4 |
| • Deleted 3.5 from one of the maximum values from the V_{OUT} specification | 4 |
| • Changed nominal delay time | 6 |

PACKAGING INFORMATION

| Orderable Device | Status (1) | Package Type | Package Drawing | Pins | Package Qty | Eco Plan (2) | Lead/Ball Finish (6) | MSL Peak Temp (3) | Op Temp (°C) | Device Marking (4/5) | Samples |
|------------------|---------------|--------------|--------------------|------|----------------|----------------------------|-------------------------|----------------------|--------------|-------------------------|---------|
| BQ29440DRBR | NRND | SON | DRB | 8 | 3000 | Green (RoHS & no Sb/Br) | CU NIPDAU | Level-2-260C-1 YEAR | -40 to 85 | 440 | |
| BQ29440DRBT | NRND | SON | DRB | 8 | 250 | Green (RoHS & no Sb/Br) | CU NIPDAU | Level-2-260C-1 YEAR | -40 to 85 | 440 | |
| BQ29441DRBR | NRND | SON | DRB | 8 | 3000 | Green (RoHS & no Sb/Br) | CU NIPDAU | Level-2-260C-1 YEAR | -40 to 85 | 441 | |
| BQ29441DRBT | NRND | SON | DRB | 8 | 250 | Green (RoHS & no Sb/Br) | CU NIPDAU | Level-2-260C-1 YEAR | -40 to 85 | 441 | |
| BQ29442DRBR | NRND | SON | DRB | 8 | 3000 | Green (RoHS & no Sb/Br) | CU NIPDAU | Level-2-260C-1 YEAR | -40 to 85 | 442 | |
| BQ29442DRBT | NRND | SON | DRB | 8 | 250 | Green (RoHS & no Sb/Br) | CU NIPDAU | Level-2-260C-1 YEAR | -40 to 85 | 442 | |
| BQ29443DRBR | NRND | SON | DRB | 8 | 3000 | Green (RoHS & no Sb/Br) | CU NIPDAU | Level-2-260C-1 YEAR | -40 to 85 | 443 | |
| BQ29443DRBT | NRND | SON | DRB | 8 | 250 | Green (RoHS & no Sb/Br) | CU NIPDAU | Level-2-260C-1 YEAR | -40 to 85 | 443 | |
| BQ29449DRBR | NRND | SON | DRB | 8 | 3000 | Green (RoHS & no Sb/Br) | CU NIPDAU | Level-2-260C-1 YEAR | -40 to 85 | 449 | |
| BQ29449DRBT | NRND | SON | DRB | 8 | 250 | Green (RoHS & no Sb/Br) | CU NIPDAU | Level-2-260C-1 YEAR | -40 to 85 | 449 | |

(1) The marketing status values are defined as follows:

ACTIVE: Product device recommended for new designs.

LIFEBUY: TI has announced that the device will be discontinued, and a lifetime-buy period is in effect.

NRND: Not recommended for new designs. Device is in production to support existing customers, but TI does not recommend using this part in a new design.

PREVIEW: Device has been announced but is not in production. Samples may or may not be available.

OBSOLETE: TI has discontinued the production of the device.

(2) Eco Plan - The planned eco-friendly classification: Pb-Free (RoHS), Pb-Free (RoHS Exempt), or Green (RoHS & no Sb/Br) - please check <http://www.ti.com/productcontent> for the latest availability information and additional product content details.

TBD: The Pb-Free/Green conversion plan has not been defined.

Pb-Free (RoHS): TI's terms "Lead-Free" or "Pb-Free" mean semiconductor products that are compatible with the current RoHS requirements for all 6 substances, including the requirement that lead not exceed 0.1% by weight in homogeneous materials. Where designed to be soldered at high temperatures, TI Pb-Free products are suitable for use in specified lead-free processes.

Pb-Free (RoHS Exempt): This component has a RoHS exemption for either 1) lead-based flip-chip solder bumps used between the die and package, or 2) lead-based die adhesive used between the die and leadframe. The component is otherwise considered Pb-Free (RoHS compatible) as defined above.

Green (RoHS & no Sb/Br): TI defines "Green" to mean Pb-Free (RoHS compatible), and free of Bromine (Br) and Antimony (Sb) based flame retardants (Br or Sb do not exceed 0.1% by weight in homogeneous material)

- (3) MSL, Peak Temp. - The Moisture Sensitivity Level rating according to the JEDEC industry standard classifications, and peak solder temperature.
- (4) There may be additional marking, which relates to the logo, the lot trace code information, or the environmental category on the device.
- (5) Multiple Device Markings will be inside parentheses. Only one Device Marking contained in parentheses and separated by a "~" will appear on a device. If a line is indented then it is a continuation of the previous line and the two combined represent the entire Device Marking for that device.
- (6) Lead/Ball Finish - Orderable Devices may have multiple material finish options. Finish options are separated by a vertical ruled line. Lead/Ball Finish values may wrap to two lines if the finish value exceeds the maximum column width.

Important Information and Disclaimer:The information provided on this page represents TI's knowledge and belief as of the date that it is provided. TI bases its knowledge and belief on information provided by third parties, and makes no representation or warranty as to the accuracy of such information. Efforts are underway to better integrate information from third parties. TI has taken and continues to take reasonable steps to provide representative and accurate information but may not have conducted destructive testing or chemical analysis on incoming materials and chemicals. TI and TI suppliers consider certain information to be proprietary, and thus CAS numbers and other limited information may not be available for release.

In no event shall TI's liability arising out of such information exceed the total purchase price of the TI part(s) at issue in this document sold by TI to Customer on an annual basis.

TAPE AND REEL INFORMATION

QUADRANT ASSIGNMENTS FOR PIN 1 ORIENTATION IN TAPE


*All dimensions are nominal

| Device | Package Type | Package Drawing | Pins | SPQ | Reel Diameter (mm) | Reel Width W1 (mm) | A0 (mm) | B0 (mm) | K0 (mm) | P1 (mm) | W (mm) | Pin1 Quadrant |
|-------------|--------------|-----------------|------|------|--------------------|--------------------|---------|---------|---------|---------|--------|---------------|
| BQ29440DRBR | SON | DRB | 8 | 3000 | 330.0 | 12.4 | 3.3 | 3.3 | 1.1 | 8.0 | 12.0 | Q2 |
| BQ29440DRBT | SON | DRB | 8 | 250 | 180.0 | 12.4 | 3.3 | 3.3 | 1.1 | 8.0 | 12.0 | Q2 |
| BQ29441DRBR | SON | DRB | 8 | 3000 | 330.0 | 12.4 | 3.3 | 3.3 | 1.1 | 8.0 | 12.0 | Q2 |
| BQ29441DRBT | SON | DRB | 8 | 250 | 180.0 | 12.4 | 3.3 | 3.3 | 1.1 | 8.0 | 12.0 | Q2 |
| BQ29442DRBR | SON | DRB | 8 | 3000 | 330.0 | 12.4 | 3.3 | 3.3 | 1.1 | 8.0 | 12.0 | Q2 |
| BQ29442DRBT | SON | DRB | 8 | 250 | 180.0 | 12.4 | 3.3 | 3.3 | 1.1 | 8.0 | 12.0 | Q2 |
| BQ29443DRBR | SON | DRB | 8 | 3000 | 330.0 | 12.4 | 3.3 | 3.3 | 1.1 | 8.0 | 12.0 | Q2 |
| BQ29443DRBT | SON | DRB | 8 | 250 | 180.0 | 12.4 | 3.3 | 3.3 | 1.1 | 8.0 | 12.0 | Q2 |
| BQ29449DRBR | SON | DRB | 8 | 3000 | 330.0 | 12.4 | 3.3 | 3.3 | 1.1 | 8.0 | 12.0 | Q2 |
| BQ29449DRBT | SON | DRB | 8 | 250 | 180.0 | 12.4 | 3.3 | 3.3 | 1.1 | 8.0 | 12.0 | Q2 |

TAPE AND REEL BOX DIMENSIONS


*All dimensions are nominal

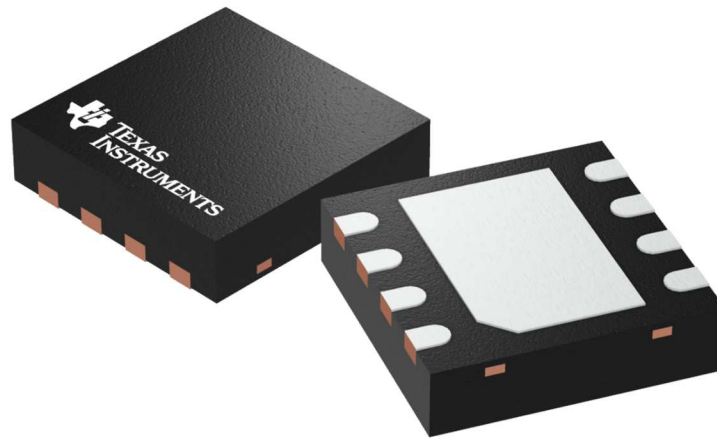
| Device | Package Type | Package Drawing | Pins | SPQ | Length (mm) | Width (mm) | Height (mm) |
|-------------|--------------|-----------------|------|------|-------------|------------|-------------|
| BQ29440DRBR | SON | DRB | 8 | 3000 | 367.0 | 367.0 | 35.0 |
| BQ29440DRBT | SON | DRB | 8 | 250 | 210.0 | 185.0 | 35.0 |
| BQ29441DRBR | SON | DRB | 8 | 3000 | 367.0 | 367.0 | 35.0 |
| BQ29441DRBT | SON | DRB | 8 | 250 | 210.0 | 185.0 | 35.0 |
| BQ29442DRBR | SON | DRB | 8 | 3000 | 367.0 | 367.0 | 35.0 |
| BQ29442DRBT | SON | DRB | 8 | 250 | 210.0 | 185.0 | 35.0 |
| BQ29443DRBR | SON | DRB | 8 | 3000 | 367.0 | 367.0 | 35.0 |
| BQ29443DRBT | SON | DRB | 8 | 250 | 210.0 | 185.0 | 35.0 |
| BQ29449DRBR | SON | DRB | 8 | 3000 | 367.0 | 367.0 | 35.0 |
| BQ29449DRBT | SON | DRB | 8 | 250 | 210.0 | 185.0 | 35.0 |

DRB 8

GENERIC PACKAGE VIEW

VSON - 1 mm max height

PLASTIC SMALL OUTLINE - NO LEAD



Images above are just a representation of the package family, actual package may vary.
Refer to the product data sheet for package details.

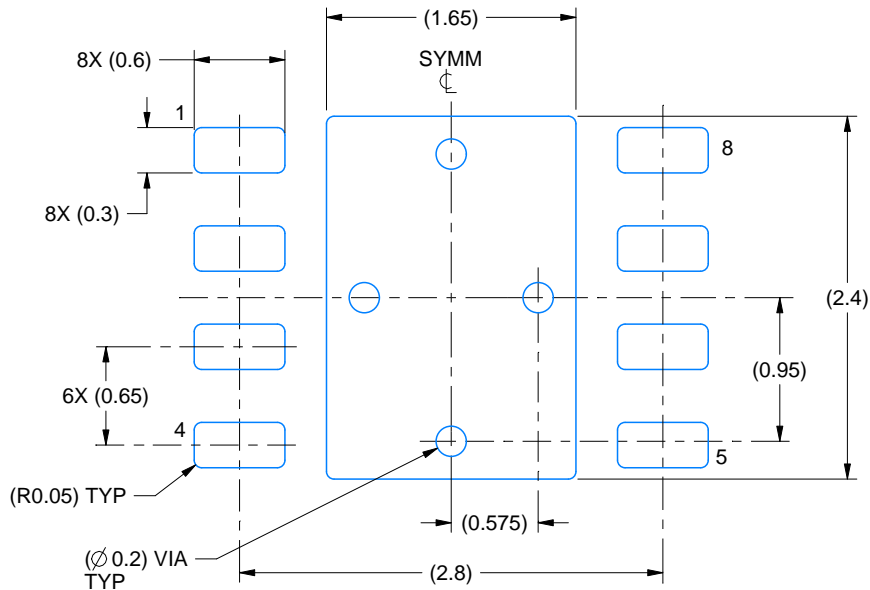
4203482/L

EXAMPLE BOARD LAYOUT

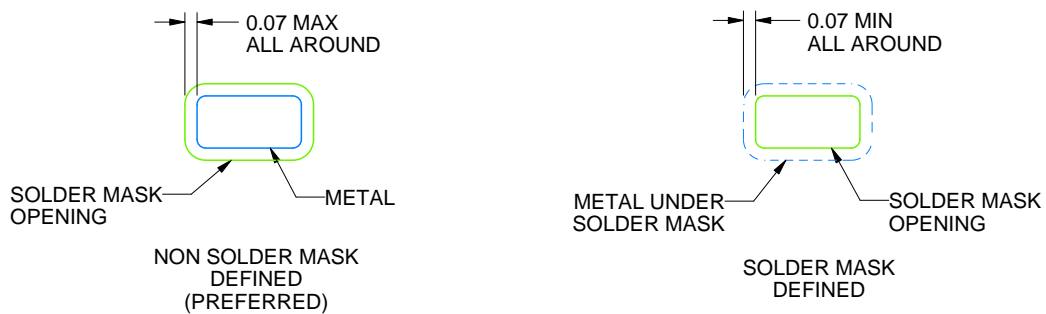
DRB0008B

VSON - 1 mm max height

PLASTIC SMALL OUTLINE - NO LEAD



LAND PATTERN EXAMPLE
SCALE:20X



SOLDER MASK DETAILS

4218876/A 12/2017

NOTES: (continued)

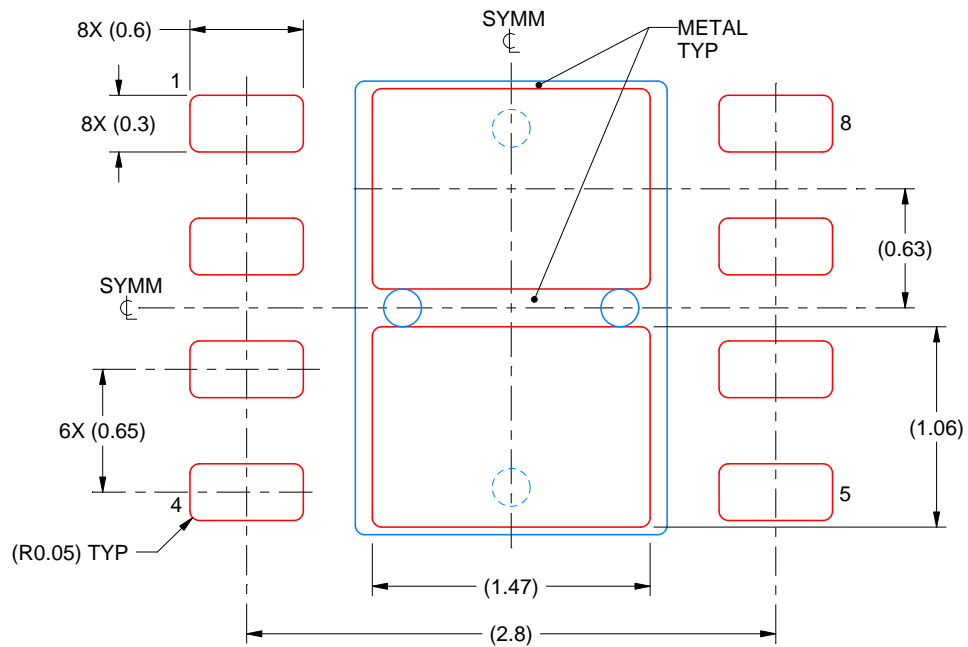
4. This package is designed to be soldered to a thermal pad on the board. For more information, see Texas Instruments literature number SLUA271 (www.ti.com/lit/slue271).
5. Vias are optional depending on application, refer to device data sheet. If any vias are implemented, refer to their locations shown on this view. It is recommended that vias under paste be filled, plugged or tented.

EXAMPLE STENCIL DESIGN

DRB0008B

VSON - 1 mm max height

PLASTIC SMALL OUTLINE - NO LEAD



SOLDER PASTE EXAMPLE
BASED ON 0.125 mm THICK STENCIL

EXPOSED PAD
81% PRINTED SOLDER COVERAGE BY AREA
SCALE:25X

4218876/A 12/2017

NOTES: (continued)

6. Laser cutting apertures with trapezoidal walls and rounded corners may offer better paste release. IPC-7525 may have alternate design recommendations.

IMPORTANT NOTICE

Texas Instruments Incorporated (TI) reserves the right to make corrections, enhancements, improvements and other changes to its semiconductor products and services per JESD46, latest issue, and to discontinue any product or service per JESD48, latest issue. Buyers should obtain the latest relevant information before placing orders and should verify that such information is current and complete.

TI's published terms of sale for semiconductor products (<http://www.ti.com/sc/docs/stdterms.htm>) apply to the sale of packaged integrated circuit products that TI has qualified and released to market. Additional terms may apply to the use or sale of other types of TI products and services.

Reproduction of significant portions of TI information in TI data sheets is permissible only if reproduction is without alteration and is accompanied by all associated warranties, conditions, limitations, and notices. TI is not responsible or liable for such reproduced documentation. Information of third parties may be subject to additional restrictions. Resale of TI products or services with statements different from or beyond the parameters stated by TI for that product or service voids all express and any implied warranties for the associated TI product or service and is an unfair and deceptive business practice. TI is not responsible or liable for any such statements.

Buyers and others who are developing systems that incorporate TI products (collectively, "Designers") understand and agree that Designers remain responsible for using their independent analysis, evaluation and judgment in designing their applications and that Designers have full and exclusive responsibility to assure the safety of Designers' applications and compliance of their applications (and of all TI products used in or for Designers' applications) with all applicable regulations, laws and other applicable requirements. Designer represents that, with respect to their applications, Designer has all the necessary expertise to create and implement safeguards that (1) anticipate dangerous consequences of failures, (2) monitor failures and their consequences, and (3) lessen the likelihood of failures that might cause harm and take appropriate actions. Designer agrees that prior to using or distributing any applications that include TI products, Designer will thoroughly test such applications and the functionality of such TI products as used in such applications.

TI's provision of technical, application or other design advice, quality characterization, reliability data or other services or information, including, but not limited to, reference designs and materials relating to evaluation modules, (collectively, "TI Resources") are intended to assist designers who are developing applications that incorporate TI products; by downloading, accessing or using TI Resources in any way, Designer (individually or, if Designer is acting on behalf of a company, Designer's company) agrees to use any particular TI Resource solely for this purpose and subject to the terms of this Notice.

TI's provision of TI Resources does not expand or otherwise alter TI's applicable published warranties or warranty disclaimers for TI products, and no additional obligations or liabilities arise from TI providing such TI Resources. TI reserves the right to make corrections, enhancements, improvements and other changes to its TI Resources. TI has not conducted any testing other than that specifically described in the published documentation for a particular TI Resource.

Designer is authorized to use, copy and modify any individual TI Resource only in connection with the development of applications that include the TI product(s) identified in such TI Resource. NO OTHER LICENSE, EXPRESS OR IMPLIED, BY ESTOPPEL OR OTHERWISE TO ANY OTHER TI INTELLECTUAL PROPERTY RIGHT, AND NO LICENSE TO ANY TECHNOLOGY OR INTELLECTUAL PROPERTY RIGHT OF TI OR ANY THIRD PARTY IS GRANTED HEREIN, including but not limited to any patent right, copyright, mask work right, or other intellectual property right relating to any combination, machine, or process in which TI products or services are used. Information regarding or referencing third-party products or services does not constitute a license to use such products or services, or a warranty or endorsement thereof. Use of TI Resources may require a license from a third party under the patents or other intellectual property of the third party, or a license from TI under the patents or other intellectual property of TI.

TI RESOURCES ARE PROVIDED "AS IS" AND WITH ALL FAULTS. TI DISCLAIMS ALL OTHER WARRANTIES OR REPRESENTATIONS, EXPRESS OR IMPLIED, REGARDING RESOURCES OR USE THEREOF, INCLUDING BUT NOT LIMITED TO ACCURACY OR COMPLETENESS, TITLE, ANY EPIDEMIC FAILURE WARRANTY AND ANY IMPLIED WARRANTIES OF MERCHANTABILITY, FITNESS FOR A PARTICULAR PURPOSE, AND NON-INFRINGEMENT OF ANY THIRD PARTY INTELLECTUAL PROPERTY RIGHTS. TI SHALL NOT BE LIABLE FOR AND SHALL NOT DEFEND OR INDEMNIFY DESIGNER AGAINST ANY CLAIM, INCLUDING BUT NOT LIMITED TO ANY INFRINGEMENT CLAIM THAT RELATES TO OR IS BASED ON ANY COMBINATION OF PRODUCTS EVEN IF DESCRIBED IN TI RESOURCES OR OTHERWISE. IN NO EVENT SHALL TI BE LIABLE FOR ANY ACTUAL, DIRECT, SPECIAL, COLLATERAL, INDIRECT, PUNITIVE, INCIDENTAL, CONSEQUENTIAL OR EXEMPLARY DAMAGES IN CONNECTION WITH OR ARISING OUT OF TI RESOURCES OR USE THEREOF, AND REGARDLESS OF WHETHER TI HAS BEEN ADVISED OF THE POSSIBILITY OF SUCH DAMAGES.

Unless TI has explicitly designated an individual product as meeting the requirements of a particular industry standard (e.g., ISO/TS 16949 and ISO 26262), TI is not responsible for any failure to meet such industry standard requirements.

Where TI specifically promotes products as facilitating functional safety or as compliant with industry functional safety standards, such products are intended to help enable customers to design and create their own applications that meet applicable functional safety standards and requirements. Using products in an application does not by itself establish any safety features in the application. Designers must ensure compliance with safety-related requirements and standards applicable to their applications. Designer may not use any TI products in life-critical medical equipment unless authorized officers of the parties have executed a special contract specifically governing such use. Life-critical medical equipment is medical equipment where failure of such equipment would cause serious bodily injury or death (e.g., life support, pacemakers, defibrillators, heart pumps, neurostimulators, and implantables). Such equipment includes, without limitation, all medical devices identified by the U.S. Food and Drug Administration as Class III devices and equivalent classifications outside the U.S.

TI may expressly designate certain products as completing a particular qualification (e.g., Q100, Military Grade, or Enhanced Product). Designers agree that it has the necessary expertise to select the product with the appropriate qualification designation for their applications and that proper product selection is at Designers' own risk. Designers are solely responsible for compliance with all legal and regulatory requirements in connection with such selection.

Designer will fully indemnify TI and its representatives against any damages, costs, losses, and/or liabilities arising out of Designer's non-compliance with the terms and provisions of this Notice.

Looking for pricing, stock, or lifecycle information?

Click below to explore more details on WIN SOURCE:

 [View BQ29449DRBR](#) on WIN SOURCE

 [Texas Instruments](#) Information

Optimize Your Supply Chain with WIN SOURCE Solutions

-  Global Sourcing Solution
-  Obsolete Management
-  Cost Control Management
-  Shortage Management
-  Alternative Solution
-  Excess Inventory Management