



**THE DATASHEET OF  
ADS7810U**





# 12-Bit, 800kHz Sampling CMOS ANALOG-TO-DIGITAL CONVERTER

 Check for Samples: [ADS7810](#)

## FEATURES

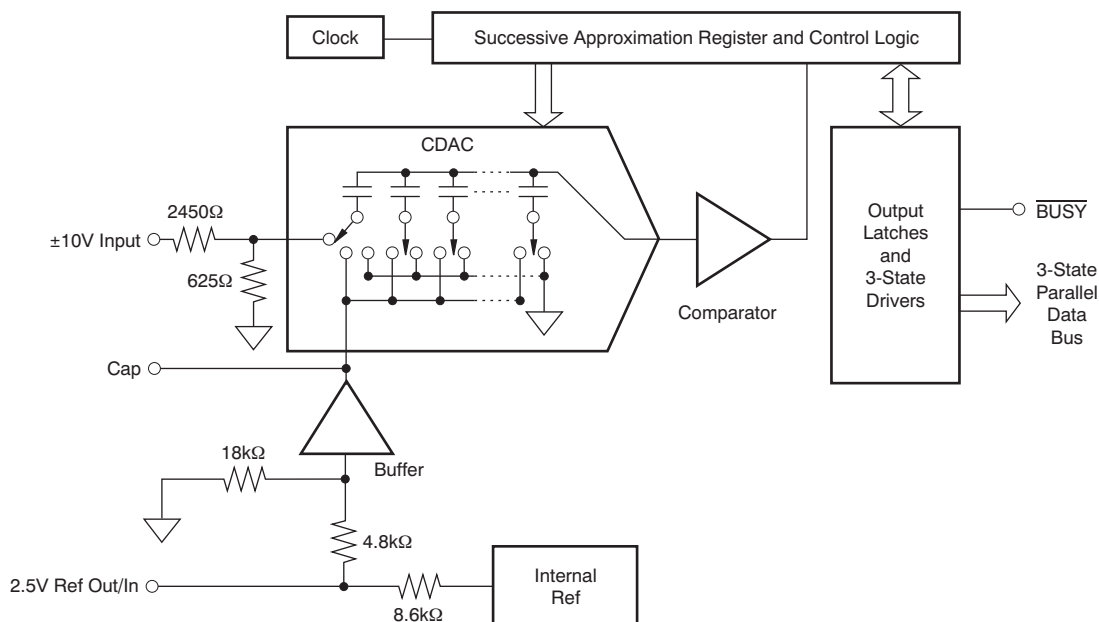
- 1.25 $\mu$ s Throughput Time
- Standard  $\pm 10$ V Input Range
- 69dB Min SINAD With 250kHz Input
- $\pm 3$  LSB Max INL and  $\pm 3$  LSB Max DNL
- Internal Reference
- Complete With S/H, REF, CLOCK, ETC.
- Parallel Data w/Latches
- 28-PIN SOIC Package

## DESCRIPTION

The ADS7810 is a complete 12-bit sampling analog-to-digital converter (A/D) using state-of-the-art CMOS structures. It contains a complete 12-bit capacitor-based SAR A/D with inherent S/H, reference, clock, interface for microprocessor use, and 3-state output drivers.

The ADS7810 is specified at an 800kHz sampling rate, and ensured over the full temperature range. Laser-trimmed scaling resistors provide the industry-standard  $\pm 10$ V input range, while an innovative design allows operation from  $\pm 5$ V supplies.

The 28-pin ADS7810 is available in a plastic SOIC fully specified for operation over the industrial  $-40^{\circ}\text{C}$  to  $+70^{\circ}\text{C}$  range.



Please be aware that an important notice concerning availability, standard warranty, and use in critical applications of Texas Instruments semiconductor products and disclaimers thereto appears at the end of this data sheet.

All trademarks are the property of their respective owners.



This integrated circuit can be damaged by ESD. Texas Instruments recommends that all integrated circuits be handled with appropriate precautions. Failure to observe proper handling and installation procedures can cause damage.

ESD damage can range from subtle performance degradation to complete device failure. Precision integrated circuits may be more susceptible to damage because very small parametric changes could cause the device not to meet its published specifications.

## ORDERING INFORMATION

For the most current package and ordering information, see the Package Option Addendum located at the end of this data sheet, or see the device product folder at [www.ti.com](http://www.ti.com).

## ABSOLUTE MAXIMUM RATINGS<sup>(1)</sup>

Over operating free-air temperature range (unless otherwise noted).

	<b>ADS7810</b>	<b>UNIT</b>
Analog inputs: $V_{IN}$	$\pm 25$	V
	$+V_{ANA} +0.3$ to AGND2 $-0.3$	V
	Indefinite Short to AGND2 Momentary Short to $+V_{ANA}$	V
Ground voltage differences: DGND, AGND1, AGND2	$\pm 0.3$	V
$+V_{ANA}$	+7	V
$+V_{DIG}$ to $+V_{ANA}$	+0.3	V
$+V_{DIG}$	+7	V
$-V_{ANA}$	-7	V
Digital inputs	$-0.3$ to $+V_{DIG} +0.3$	V
Maximum junction temperature	+165	°C
Internal power dissipation	825	mW

(1) Stresses beyond those listed under *Absolute Maximum Ratings* may cause permanent damage to the device. These are stress ratings only, and functional operation of the device at these or any other conditions beyond those indicated under *Recommended Operating Conditions* is not implied. Exposure to absolute-maximum rated conditions for extended periods may affect device reliability.

## ELECTRICAL CHARACTERISTICS

At  $T_A = -40^\circ\text{C}$  to  $+70^\circ\text{C}$ ,  $f_S = 800\text{kHz}$ ,  $+V_{\text{DIG}} = +V_{\text{ANA}} = +5\text{V}$ ,  $-V_{\text{ANA}} = -5\text{V}$ , using internal reference and the  $50\Omega$  input resistor shown in [Figure 16](#), unless otherwise specified.

PARAMETER	TEST CONDITIONS	ADS7810U			ADS7819UB <sup>(1)</sup>			UNIT
		MIN	TYP	MAX	MIN	TYP	MAX	
<b>RESOLUTION</b>				12			12	Bits
<b>ANALOG INPUT</b>								
Voltage range	+In – (–In)		$\pm 10$			$\pm 10$		V
Impedance			3.1			3.1		k $\Omega$
Capacitance			5			5		pF
<b>THROUGHPUT SPEED</b>								
Conversion cycle	$t_3 + t_4$		1020			1020		ns
Complete cycle	Acquire and convert			1250			1250	ns
Throughput rate		800			800			kHz
<b>DC ACCURACY</b>								
Integral linearity error				$\pm 3$			$\pm 2$	LSB
Differential linearity error				$\pm 3$			$\pm 3$	LSB
No missing codes			Ensured			Ensured		
Transition noise <sup>(2)</sup>			0.1			0.1		LSB
Full-scale error <sup>(3)(4)</sup>				$\pm 1$			$\pm 0.75$	%
Full-scale error drift			$\pm 12$			$\pm 12$		ppm/ $^\circ\text{C}$
Full-scale error <sup>(3)(4)</sup>	Ext. 2.5000V Ref			$\pm 1$			$\pm 1$	%
Full-scale error drift	Ext. 2.5000V Ref		$\pm 12$			$\pm 12$		ppm/ $^\circ\text{C}$
Bipolar zero error <sup>(3)</sup>				$\pm 8$			$\pm 4$	LSB
Bipolar zero error drift			$\pm 2$			$\pm 2$		ppm/ $^\circ\text{C}$
Power-supply sensitivity ( $+V_{\text{DIG}} = +V_{\text{ANA}} = V_D$ )	$+4.75\text{V} < V_D < +5.25\text{V}$			$\pm 5$			$\pm 5$	LSB
	$-5.25\text{V} < -V_{\text{ANA}} < -4.75\text{V}$			$\pm 0.5$			$\pm 0.5$	LSB
<b>AC ACCURACY</b>								
Spurious-free dynamic range	$f_{\text{IN}} = 250\text{kHz}$	74	82		77	84		dB <sup>(5)</sup>
Total harmonic distortion	$f_{\text{IN}} = 250\text{kHz}$		–80	–74		–82	–77	dB
Signal-to-(noise+distortion)	$f_{\text{IN}} = 250\text{kHz}$	67	71		69	71		dB
Signal-to-noise	$f_{\text{IN}} = 250\text{kHz}$	66	71		70	71		dB
Usable bandwidth <sup>(6)</sup>			1.5			1.5		MHz
<b>SAMPLING DYNAMICS</b>								
Aperture delay			20			20		ns
Aperture jitter			10			10		ps
Transient response	Full-scale step		200			200		ns
Overvoltage recovery <sup>(7)</sup>			250			250		ns
<b>REFERENCE</b>								
Internal reference voltage		2.48	2.5	2.52	2.48	2.5	2.52	V
Internal reference dc source current (external load should be static)			100			100		$\mu\text{A}$
Internal reference drift			8			8		ppm/ $^\circ\text{C}$
External reference voltage range for specified linearity		2.3	2.5	2.7	2.3	2.5	2.7	V
External reference current drain	Ext. 2.5000V Ref			100			100	$\mu\text{A}$
<b>DIGITAL INPUTS</b>								
Logic levels	$V_{\text{IL}}$		–0.3	+0.8	–0.3		+0.8	V
	$V_{\text{IH}}$		+2.4	$V_D + 0.3$	+2.4		$V_D + 0.3$	V
	$I_{\text{IL}}$	$V_{\text{IL}} = 0\text{V}$			$\pm 10$			$\mu\text{A}$
	$I_{\text{IH}}$	$V_{\text{IH}} = 5\text{V}$			$\pm 10$			v

(1) Shaded cells indicate same specifications as the ADS7810U.

(2) Typical rms noise at worst-case transitions and temperatures.

(3) Measured with  $50\Omega$  in series with analog input. Adjustable to zero with external potentiometer.

(4) Full-scale error is the worst case of –Full-Scale or +Full-Scale untrimmed deviation from ideal first and last code transitions, divided by the transition voltage (not divided by the full-scale range) and includes the effect of offset error.

(5) All specifications in dB are referred to a full-scale  $\pm 10\text{V}$  input.

(6) Usable bandwidth defined as Full-Scale input frequency at which Signal-to-(Noise+Distortion) degrades to 60dB, or 10 bits of accuracy.

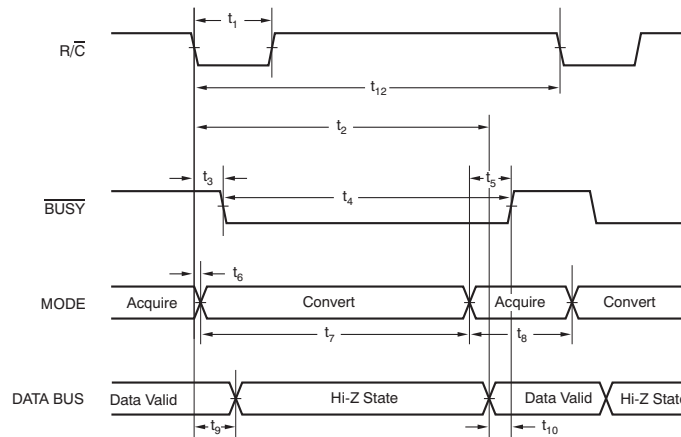
(7) Recovers to specified performance after 2 x FS input over voltage.

**ELECTRICAL CHARACTERISTICS (continued)**

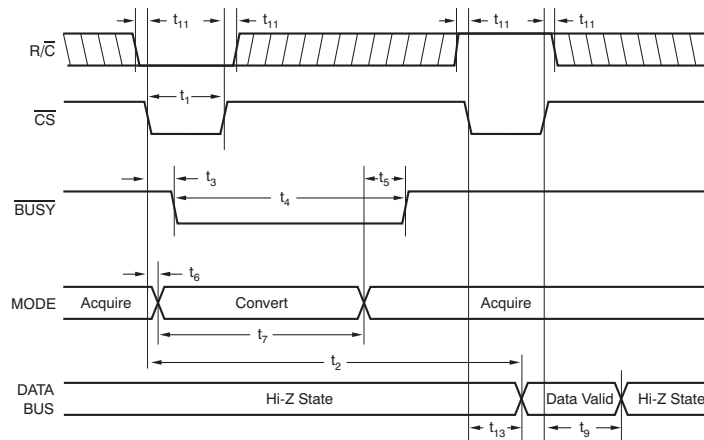
At  $T_A = -40^{\circ}\text{C}$  to  $+70^{\circ}\text{C}$ ,  $f_S = 800\text{kHz}$ ,  $+V_{\text{DIG}} = +V_{\text{ANA}} = +5\text{V}$ ,  $-V_{\text{ANA}} = -5\text{V}$ , using internal reference and the 50Ω input resistor shown in Figure 16, unless otherwise specified.

PARAMETER	TEST CONDITIONS	ADS7810U			ADS7819UB <sup>(1)</sup>			UNIT	
		MIN	TYP	MAX	MIN	TYP	MAX		
<b>DIGITAL OUTPUTS</b>									
Data format		Parallel 12 bits			Parallel 12 bits				
		Binary twos complement			Binary twos complement				
Data coding	$V_{\text{OL}}$	$I_{\text{SINK}} = 1.6\text{mA}$		+0.4		+0.4		V	
	$V_{\text{OH}}$	$I_{\text{SOURCE}} = 500\mu\text{A}$	+2.8		+2.8			V	
Leakage current	High-Z state, $V_{\text{OUT}} = 0\text{V}$ to $V_{\text{DIG}}$			±5		±5		μA	
Output capacitance	High-Z state			15		15		pF	
<b>DIGITAL TIMING</b>									
Bus access time				62		62		ns	
Bus relinquish time				83		83		ns	
<b>POWER SUPPLIES</b>									
Specified performance	$+V_{\text{DIG}} = +V_{\text{ANA}}$		+4.75	+5	+5.25	+4.75	+5	+5.25	V
	$-V_{\text{ANA}}$		-5.25	-5	-4.75	-5.25	-5	-4.75	V
	$+I_{\text{DIG}}$			+16		+16			mA
	$+I_{\text{ANA}}$			+16		+16			mA
	$-I_{\text{ANA}}$				-13		-13		mA
Derated performance	$+V_{\text{DIG}} = +V_{\text{ANA}}$		+4.5	+5	+5.5	+4.5	+5	+5.5	V
	$-V_{\text{ANA}}$		-5.5	-5	-4.5	-5.5	-5	-4.5	V
Power dissipation	$f_S = 800\text{kHz}$		225	275		225	275		mW
<b>TEMPERATURE RANGE</b>									
Specified performance			-40		+70	-40		+70	°C
Derated performance			-55		+125	-55		+125	°C
Storage			-65		+150	-65		+150	°C
Thermal resistance ( $\theta_{\text{JA}}$ )	Plastic DIP			75		75			°C/W
	SOIC			75		75			°C/W

**TIMING INFORMATION**



**Figure 1. Conversion Timing with Outputs Enabled After Conversion ( $\overline{CS}$  Tied Low)**

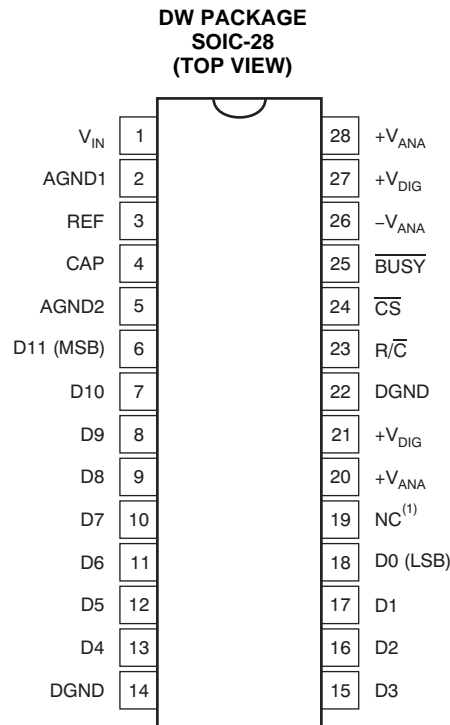


**Figure 2. Using  $\overline{CS}$  to Control Conversion and Read Timing**

**TIMING REQUIREMENTS ( $T_{MIN}$  to  $T_{MAX}$ )**

SYMBOL	DESCRIPTION	MIN	TYP	MAX	UNIT
$t_1$	Convert pulse width	40			ns
$t_2$	Data valid delay after $R/\overline{C}$ low		955	1095	ns
$t_3$	$\overline{BUSY}$ delay from $R/\overline{C}$ low		70	125	ns
$t_4$	$\overline{BUSY}$ low		950	1080	ns
$t_5$	$\overline{BUSY}$ delay after end of conversion		90		ns
$t_6$	Aperture delay		20		ns
$t_7$	Conversion time		910	1020	ns
$t_8$	Acquisition time		200	230	ns
$t_7, t_8$	Throughput time		1110	1250	ns
$t_9$	Bus relinquish time	10	50	83	ns
$t_{10}$	$\overline{BUSY}$ delay after data valid	20	65	120	ns
$t_{11}$	$R/\overline{C}$ to $\overline{CS}$ setup time	10			ns
$t_{12}$	Time between conversions	1250			ns
$t_{13}$	Bus access time	10	25	62	ns

### PIN CONFIGURATION



(1) Not internally connected.

### PIN ASSIGNMENTS

PIN		DIGITAL I/O	DESCRIPTION
NO.	NAME		
1	V <sub>IN</sub>		Analog input. Connect via 50Ω to analog input. Full-scale input range is ±10V.
2	AGND1		Analog ground. Used internally as ground reference point. Minimal current flow.
3	REF		Reference input/output. Outputs internal reference of +2.5V nominal. Can also be driven by external system reference. In both cases, decouple to ground with a 0.1μF ceramic capacitor.
4	CAP		Reference buffer output. 10μF tantalum capacitor to ground. Nominally +2V.
5	AGND2		Analog ground.
6	D11 (MSB)	O	Data bit 11. Most significant bit (MSB) of conversion results. Hi-Z state when CS is high, or when R/C is low, or when a conversion is in progress.
7	D10	O	Data bit 10. Hi-Z state when CS is high, or when R/C is low, or when a conversion is in progress.
8	D9	O	Data bit 9. Hi-Z state when CS is high, or when R/C is low, or when a conversion is in progress.
9	D8	O	Data bit 8. Hi-Z state when CS is high, or when R/C is low, or when a conversion is in progress.
10	D7	O	Data bit 7. Hi-Z state when CS is high, or when R/C is low, or when a conversion is in progress.
11	D6	O	Data bit 6. Hi-Z state when CS is high, or when R/C is low, or when a conversion is in progress.
12	D5	O	Data bit 5. Hi-Z state when CS is high, or when R/C is low, or when a conversion is in progress.
13	D4	O	Data bit 4. Hi-Z state when CS is high, or when R/C is low, or when a conversion is in progress.
14	DGND		Digital ground.
15	D3	O	Data bit 3. Hi-Z state when CS is high, or when R/C is low, or when a conversion is in progress.

**PIN ASSIGNMENTS (continued)**

PIN		DIGITAL I/O	DESCRIPTION
NO.	NAME		
16	D2	O	Data bit 2. Hi-Z state when $\overline{CS}$ is high, or when $R/\overline{C}$ is low, or when a conversion is in progress.
17	D1	O	Data bit 1. Hi-Z state when $\overline{CS}$ is high, or when $R/\overline{C}$ is low, or when a conversion is in progress.
18	D0 (LSB)	O	Data bit 0. Least significant bit (LSB) of conversion results. Hi-Z state when $\overline{CS}$ is high, or when $R/\overline{C}$ is low, or when a conversion is in progress.
19	NC		Not internally connected.
20	+V <sub>ANA</sub>		Analog positive supply input. Nominally +5V. Connect directly to pins 21, 27, and 28.
21	+V <sub>DIG</sub>		Digital supply input. Nominally +5V. Connect directly to pins 20, 27, and 28.
22	DGND		Digital ground.
23	$R/\overline{C}$	I	Read/Convert input. With $\overline{CS}$ low, a falling edge on $R/\overline{C}$ puts the internal sample/hold into the hold state and starts a conversion. With $\overline{CS}$ low and no conversion in progress, a rising edge on $R/\overline{C}$ enables the output data bits.
24	$\overline{CS}$	I	Chip select. With $R/\overline{C}$ low, a falling edge on $\overline{CS}$ will initiate a conversion. With $R/\overline{C}$ high and no conversion in progress, a falling edge on $\overline{CS}$ will enable the output data bits.
25	$\overline{BUSY}$	O	Busy output. Falls when a conversion is started, and remains low until the conversion is completed and the data are latched into the output register. With $\overline{CS}$ low and $R/\overline{C}$ high, output data will be valid when $\overline{BUSY}$ rises, so that the rising edge can be used to latch the data.
26	-V <sub>ANA</sub>		Analog negative supply input. Nominally -5V. Decouple to ground with 0.1µF ceramic and 10vF tantalum capacitors.
27	+V <sub>DIG</sub>		Digital supply input. Nominally +5V. Connect directly to pins 20, 21, and 28.
28	+V <sub>ANA</sub>		Analog positive supply input. Nominally +5V. Connect directly to pins 20, 21, and 27, and decouple to ground with 0.1µF ceramic and 10µF tantalum capacitors.

**TYPICAL CHARACTERISTICS**

At  $T_A = +25^\circ\text{C}$ ,  $f_S = 800\text{kHz}$ ,  $+V_{\text{DIG}} = +V_{\text{ANA}} = +5\text{V}$ ,  $-V_{\text{ANA}} = -5\text{V}$ , using internal reference and the  $50\Omega$  input resistors as shown in Figure 16, unless otherwise specified.

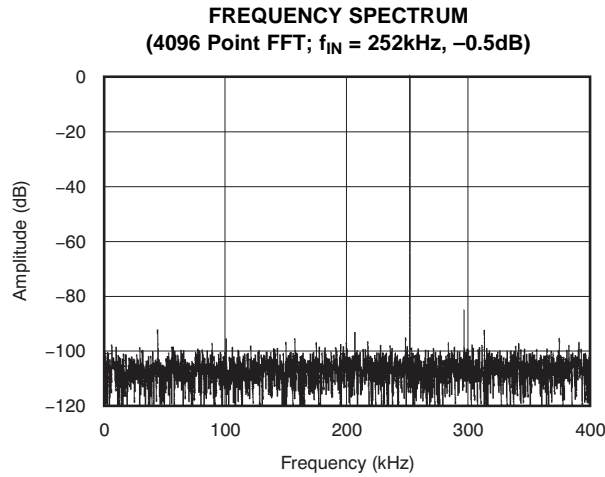


Figure 3.

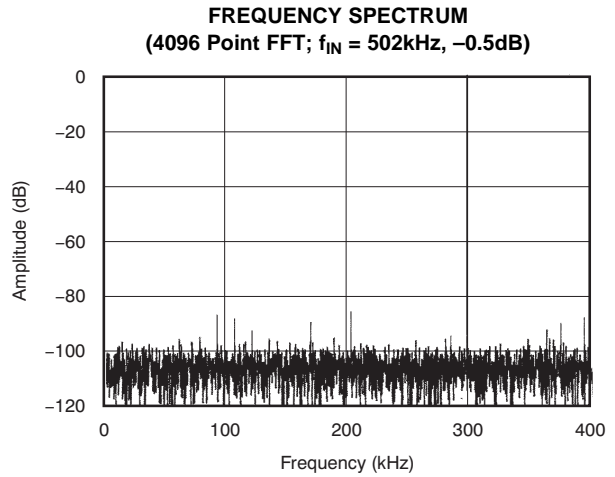


Figure 4.

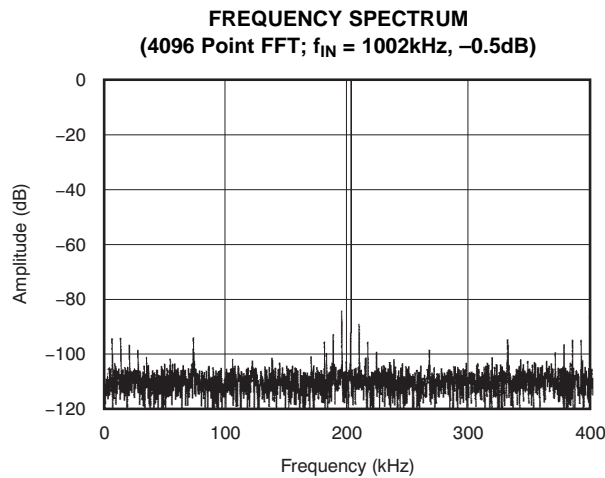


Figure 5.

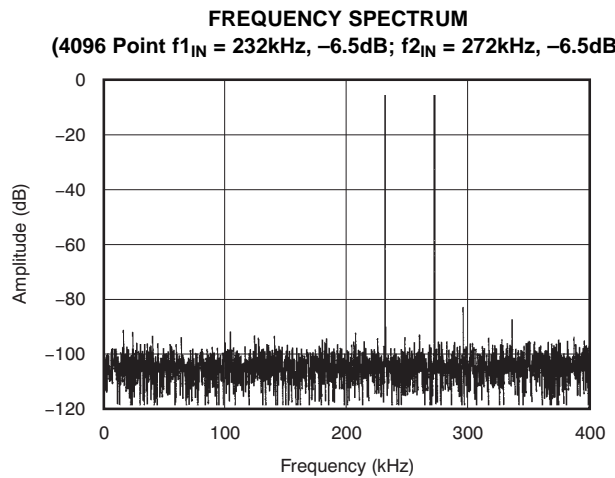


Figure 6.

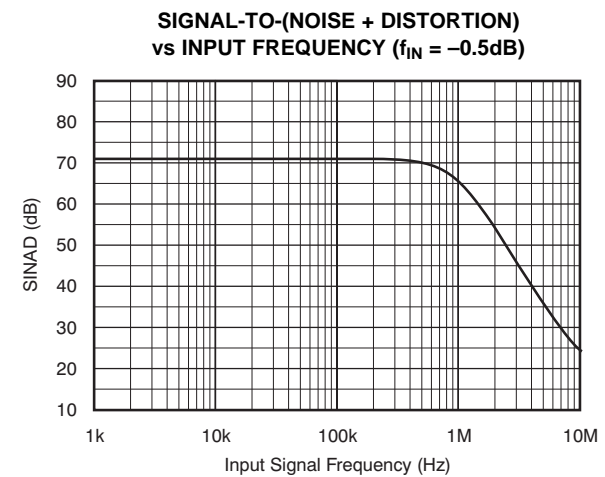


Figure 7.

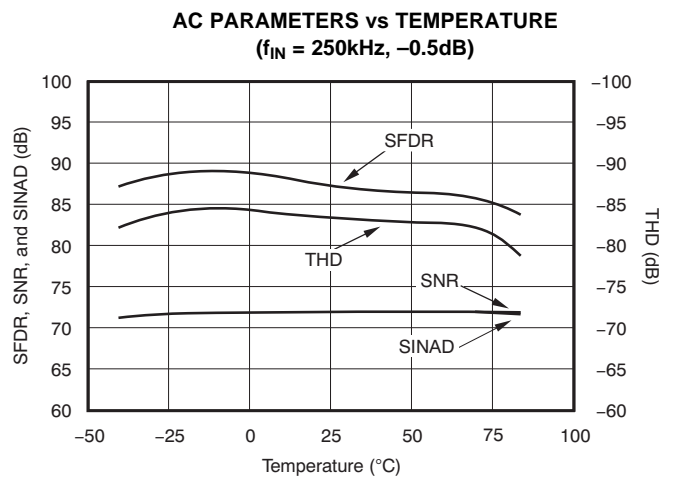
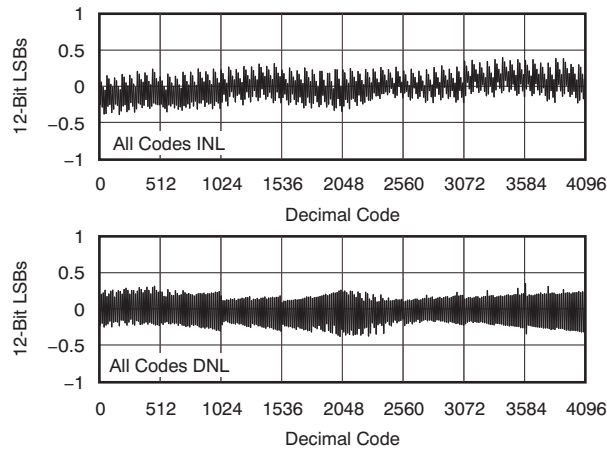


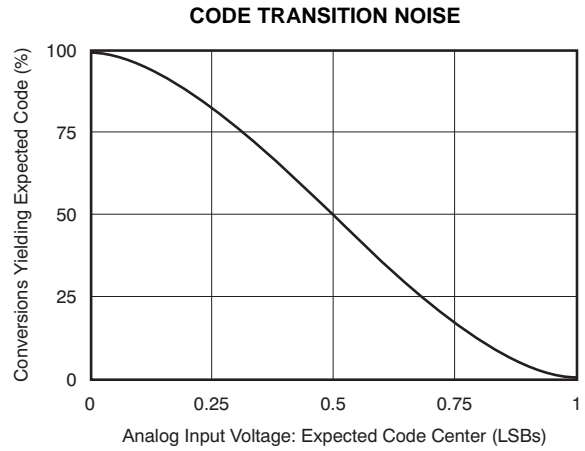
Figure 8.

**TYPICAL CHARACTERISTICS (continued)**

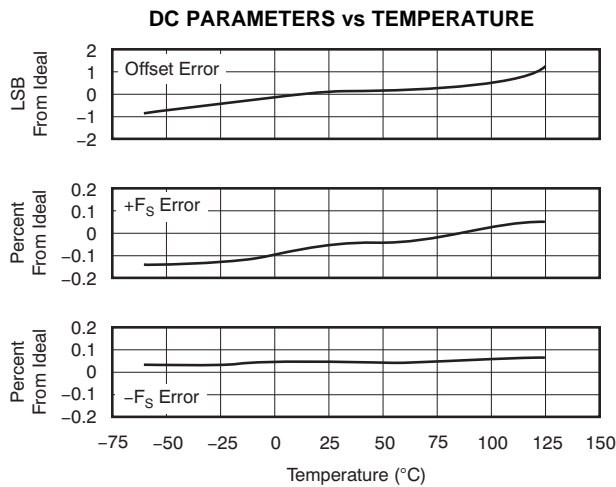
At  $T_A = +25^\circ\text{C}$ ,  $f_S = 800\text{kHz}$ ,  $+V_{\text{DIG}} = +V_{\text{ANA}} = +5\text{V}$ ,  $-V_{\text{ANA}} = -5\text{V}$ , using internal reference and the  $50\Omega$  input resistors as shown in Figure 16, unless otherwise specified.



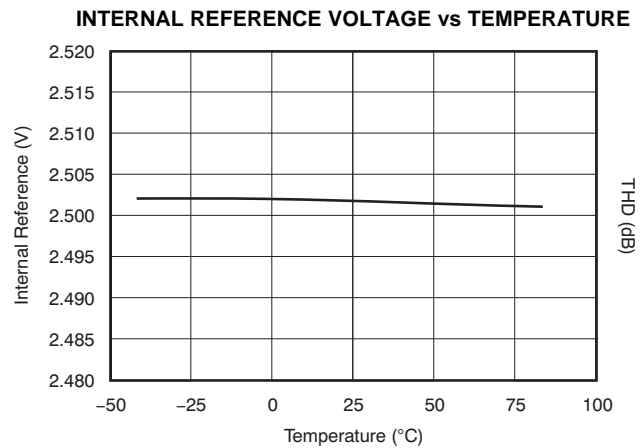
**Figure 9.**



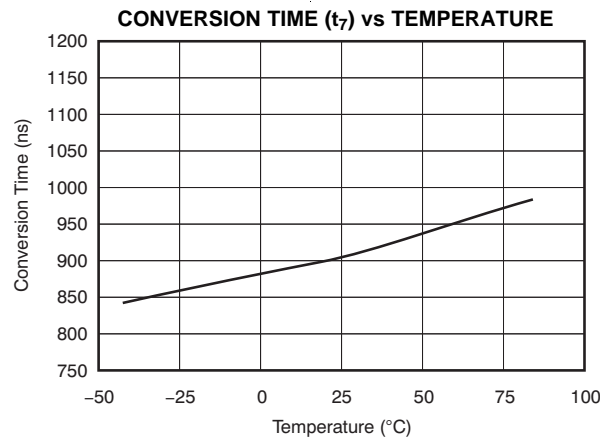
**Figure 10.**



**Figure 11.**



**Figure 12.**



**Figure 13.**

## APPLICATION INFORMATION

### BASIC OPERATION

Figure 14 shows a basic circuit to operate the ADS7810. Taking  $\overline{R/\overline{C}}$  (pin 23) low for a minimum of 40ns will initiate a conversion.  $\overline{BUSY}$  (pin 25) will go low and stay low until the conversion is completed and the output registers are updated. Data will be output in binary twos complement with the MSB on D11 (pin 6).  $\overline{BUSY}$  going high can be used to latch the data. All convert commands will be ignored while  $\overline{BUSY}$  is low.

The ADS7810 will begin tracking the input signal at the end of the conversion. Allowing 1.25 $\mu$ s between convert commands assures accurate acquisition of a new signal.

### STARTING A CONVERSION

The combination of  $\overline{CS}$  (pin 24) and  $\overline{R/\overline{C}}$  (pin 23) low for a minimum of 40ns puts the sample/hold of the ADS7810 in the hold state and starts a conversion.  $\overline{BUSY}$  (pin 25) will go low and stay low until the conversion is completed and the internal output register has been updated. All new convert commands during  $\overline{BUSY}$  low will be ignored.

The ADS7810 will begin tracking the input signal at the end of the conversion. Allowing 1.25 $\mu$ s between convert commands assures accurate acquisition of a new signal. Refer to Table 1 for a summary of  $\overline{CS}$ ,  $\overline{R/\overline{C}}$ , and  $\overline{BUSY}$  states, and Figure 1 and Figure 2 for timing parameters.

$\overline{CS}$  and  $\overline{R/\overline{C}}$  are internally OR'd and level triggered. There is not a requirement which input goes low first when initiating a conversion. If it is critical that  $\overline{CS}$  or  $\overline{R/\overline{C}}$  initiate the conversion, be sure the less critical input is low at least 10ns prior to the initiating input.

To reduce the number of control pins,  $\overline{CS}$  can be tied low using  $\overline{R/\overline{C}}$  to control the read and convert modes. Note that the parallel output will be active whenever  $\overline{R/\overline{C}}$  is HIGH and no conversion is in progress. See the *Reading Data* section and refer to Table 1 for control line functions for 'read' and 'convert' modes.

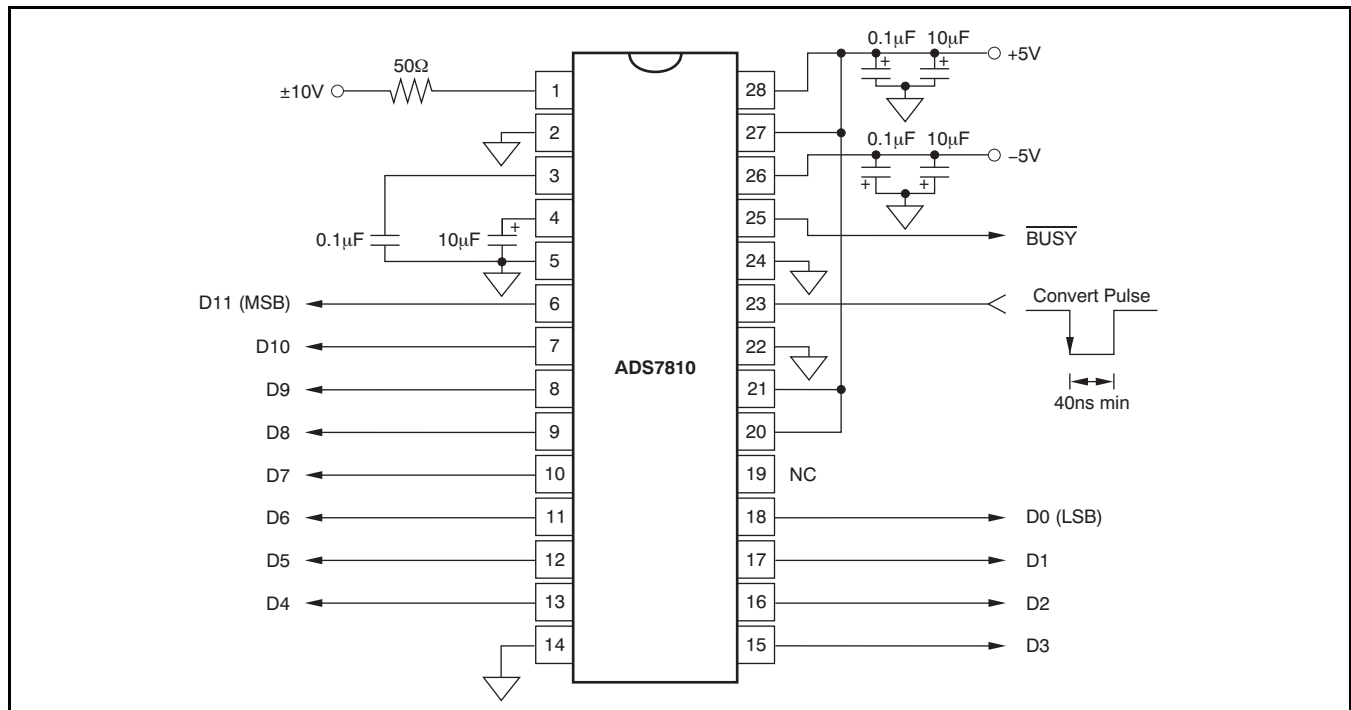


Figure 14. Basic Operation

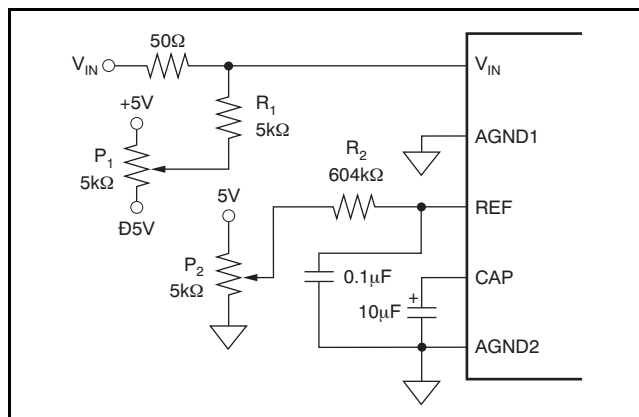
## READING DATA

The ADS7810 outputs full parallel data in binary two's complement data format. The parallel output will be active when  $\overline{R/C}$  (pin 23) is high,  $\overline{CS}$  (pin 24) is low, and no conversion is in progress. Any other combination will 3-state the parallel output. Valid conversion data can be read in a full parallel, 12-bit word on D11-D0 (pins 6-13 and 15-18). Refer to [Table 2](#) for ideal output codes.

After the conversion is completed and the output registers have been updated,  $\overline{BUSY}$  (pin 25) will go high. Valid data from the most recent conversion will be available on D11-D0 (pins 6-13 and 15-18).  $\overline{BUSY}$  going high can be used to latch the data. Refer to [Timing Requirements](#) as well as [Figure 1](#) and [Figure 2](#).

**NOTE:** For the best performance, the external data bus connected to D11-D0 should not be active during a conversion. The switching noise of the external asynchronous data signals can cause digital feedthrough degrading the converter performance.

The number of control lines can be reduced by tying  $\overline{CS}$  low while using  $\overline{R/C}$  to initiate conversions and activate the output mode of the converter. See [Figure 1](#).



Note: Use 1% metal film resistors. Trim offset at 0V first, then trim gain at 10V.

**Figure 15. Circuit Diagram with External Hardware Trim**

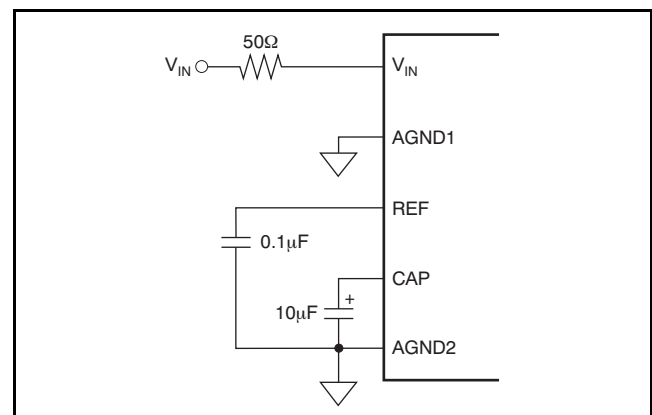
## INPUT RANGES

The ADS7810 offers a standard  $\pm 10V$  input range. [Figure 15](#) and [Figure 16](#) show the necessary circuit connections for the ADS7810 with and without external trim. Offset and full-scale error<sup>(1)</sup> specifications are tested and ensured with the 50Ω resistor shown in [Figure 16](#). This external resistor makes it possible to trim the offset  $\pm 50mV$  using a trim pot or trim DAC. This resistor may be left out if the offset and gain errors will be corrected in software or if they are negligible in regards to the particular application. See the [Calibration](#) section of the data sheet for details.

The nominal input impedance of 3.125kΩ results from the combination of the internal resistor network shown on the front page of the product data sheet and external 50Ω resistor. The input resistor divider network provides inherent overvoltage protection ensured to at least  $\pm 25V$ . The 50Ω, 1% resistor does not compromise the accuracy or drift of the converter. It has little influence relative to the internal resistors, and tighter tolerances are not required.

**NOTE:** The values shown for the internal resistors are for reference only. The exact values can vary by  $\pm 30\%$ . This is true of all resistors internal to the ADS7810. Each resistive divider is trimmed so that the proper division is achieved.

(1) Full-scale error includes offset and gain errors measured at both +FS and -FS.



**Figure 16. Circuit Diagram without External Hardware Trim**

**Table 1. Control Line Functions for ‘Read’ and ‘Convert’**

$\overline{CS}$	$R/\overline{C}$	$\overline{BUSY}$	OPERATION
1	X	X	None. Databus in Hi-Z state.
↓	0	1	Initiates conversion. Databus remains in Hi-Z state.
0	↓	1	Initiates conversion. Databus enters Hi-Z state.
0	1	↑	Conversion completed. Valid data from the most recent conversion on the databus.
↓	1	1	Enables databus with valid data from the most recent conversion.
↓	1	0	Conversion in progress. Databus in Hi-Z state, enabled when the conversion is completed.
0	↑	0	Conversion in progress. Databus in Hi-Z state, enabled when the conversion is completed.
0	0	↑	Conversion completed. Valid data from the most recent conversion in the output register, but output pins D11-D0 are 3-stated.
X	X	0	New convert commands ignored. Conversion in progress.

**Table 2. Ideal Input Voltages and Output Codes**

DESCRIPTION	ANALOG VALUE	DIGITAL OUTPUT	
Full-Scale Range	±10V	BINARY TWOS COMPLEMENT	
Least Significant Bit (LSB)	4.88mV	BINARY CODE	HEX CODE
+Full-Scale (10V – 1LSB)	9.995V	0111 1111 1111	7FF
Midscale	0V	0000 0000 0000	000
One LSB below Midscale	–4.88mV	1111 1111 1111	FFF
–Full-Scale	–10V	1000 0000 0000	800

**CALIBRATION**

The ADS7810 can be trimmed in hardware or software. The offset should be trimmed before the gain since the offset directly affects the gain.

**Hardware Calibration**

To calibrate the offset and gain of the ADS7810, install the proper resistors and potentiometers as shown in [Figure 15](#). The calibration range is ±50mV for bipolar zero and ±120mV for full scale.

Potentiometer P<sub>1</sub> and resistor R<sub>1</sub> form the offset adjust circuit and P<sub>2</sub> and R<sub>2</sub> the gain adjust circuit. The exact values are not critical. R<sub>1</sub> and R<sub>2</sub> should not be made any larger than the value shown. They can easily be made smaller to provide increased adjustment range. Reducing these below 15% of the indicated values could begin to adversely affect the operation of the converter.

P<sub>1</sub> and P<sub>2</sub> can also be made larger to reduce power dissipation. However, larger resistances will push the useful adjustment range to the edges of the potentiometer. P<sub>1</sub> should probably not exceed 20kΩ and P<sub>2</sub> 100kΩ in order to maintain reasonable sensitivity.

**Software Calibration**

To calibrate the offset and gain of the ADS7810, no external resistors are required. See the [No Calibration](#) section for details on the effects of the external resistor.

**No Calibration**

See [Figure 16](#) for circuit connections. Note that the actual voltage dropped across the 50Ω resistor is nearly two orders of magnitude lower than the voltage dropped across the internal resistor divider network. This should be taken into consideration when choosing the accuracy and drift specifications of the external resistors. In most applications, 1% metal-film resistors will be sufficient.

The external 50Ω resistor shown in [Figure 16](#) may not be necessary in some applications. This resistor provides trim capability for the offset and compensates for a slight gain adjustment internal to the ADS7810. Not using the 50Ω resistor will cause a small gain error but will have no effect on the inherent offset error. [Figure 17](#) shows typical transfer function characteristics with and without the 50Ω resistor in the circuit.

**REFERENCE**

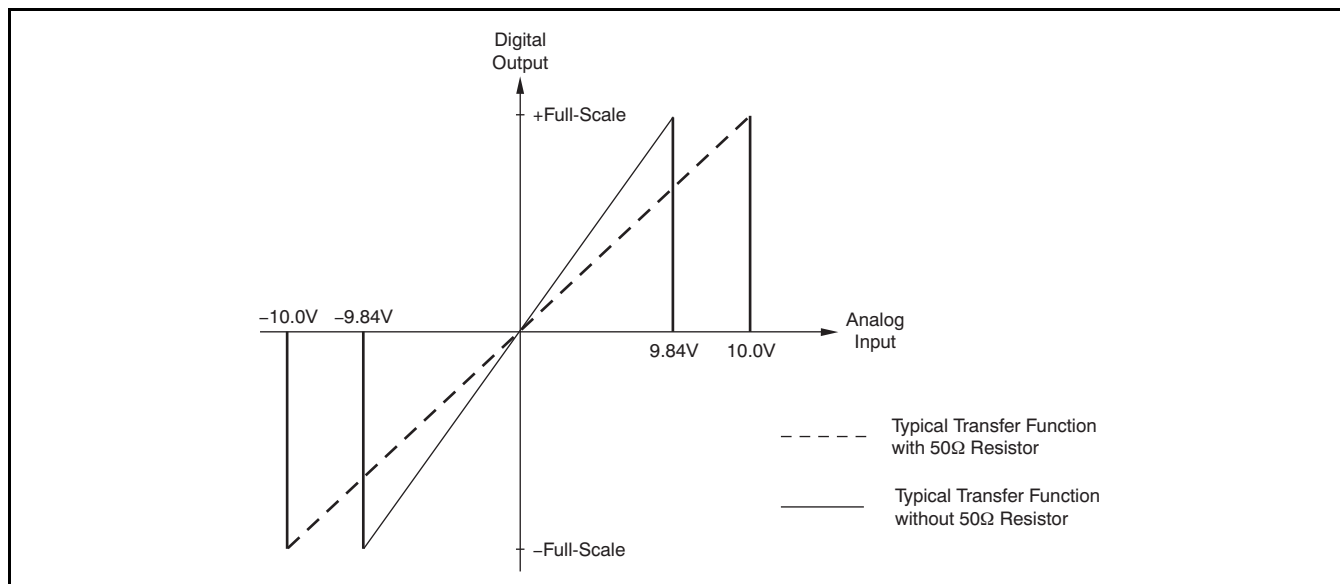
The ADS7810 can operate with its internal 2.5V reference or an external reference. By applying an external reference to pin 3, the internal reference can be bypassed. The reference voltage at REF is buffered internally and output on CAP (pin 4).

**REF**

REF (pin 3) is an input for an external reference or the output for the internal 2.5V reference. A 0.1 $\mu$ F capacitor should be connected as close to the REF pin as possible. The capacitor and the output resistance of REF create a low pass filter to band

limit noise on the reference. Using a smaller value capacitor will introduce more noise to the reference degrading the SNR and SINAD. The internal reference should not be used to sink or source currents greater than 100mA. In addition, all external loads should be static.

The range for the external reference is 2.3V to 2.7V and determines the actual LSB size. Increasing the reference voltage will increase the full-scale range and the LSB size of the converter which can improve the SNR.



**Figure 17. Comparison of the ADS7810 Transfer Function with and without the 50 $\Omega$  Series Resistor on  $V_{IN}$**

## CAP

CAP (pin 4) is the output of the internal reference buffer. A 10 $\mu$ F tantalum capacitor should be placed as close to the CAP as possible to provide optimum switching currents for the CDAC throughout the conversion cycle and compensation for the output of the buffer. Using a capacitor any smaller than 1 $\mu$ F can cause the output buffer to oscillate and may not have sufficient charge for the CDAC. Capacitor values larger than 10 $\mu$ F will have little effect on improving performance. The voltage on the CAP pin is approximately 2V when using the internal reference, or 80% of an externally supplied reference.

## LAYOUT

### POWER

The ADS7810 uses the majority of its power for analog and static circuitry, and it should be considered as an analog component. For optimum performance, tie the analog and digital +5V power pins to the same +5V power supply and tie the analog and digital grounds together.

For best performance, the  $\pm$ 5V supplies can be produced from whatever analog supply is used for the rest of the analog signal conditioning. If  $\pm$ 12V or  $\pm$ 15V supplies are present, simple regulators can be used. The +5V power for the A/D should be separate from the +5V used for the system's digital logic. Connecting +V<sub>DIG</sub> (pin 27) directly to a digital supply can reduce converter performance due to switching noise from the digital logic.

Although it is not suggested, if the digital supply must be used to power the converter, be sure to properly filter the supply. Either using a filtered digital supply or a regulated analog supply, both V<sub>DIG</sub> and V<sub>ANA</sub> should be tied to the same +5V source.

### GROUNDING

Three ground pins are present on the ADS7810. DGND (pin 22) is the digital supply ground. AGND2 (pin 5) is the analog supply ground. AGND1 (pin 2) is the ground which all analog signals internal to the A/D are referenced. AGND1 is more susceptible to current induced voltage drops and must have the path of least resistance back to the power supply.

All the ground pins of the ADS should be tied to the analog ground plane, separated from the system digital logic ground, to achieve optimum performance.

Both analog and digital ground planes should be tied to the *system* ground as near to the power supplies as possible. This helps to prevent dynamic digital ground currents from modulating the analog ground through a common impedance to power ground.

### SIGNAL CONDITIONING

The FET switches used for the sample hold on many CMOS A/D converters release a significant amount of charge injection which can cause the driving op amp to oscillate. The resistive front end of the ADS7810 attenuates this charge and reduces its magnitude significantly—reducing the burden on the external input amplifier or buffer.

However, keep in mind that maintaining signal integrity at voltage swings of  $\pm$ 10V and frequencies of several hundred kilohertz is extremely challenging. In addition, the external input amplifier must drive the ADS7810 mainly during its sample period—roughly 200ns. This will require a highspeed, precision amplifier which can swing to greater than  $\pm$ 10V.

For signals where the predominant frequencies are below 200kHz, the OPA671 operational amplifier should be adequate for most applications. In some cases or where input frequencies are higher, a composite configuration of the OPA671 and [BUF634](#) (in its wide bandwidth mode) may be the best choice. See the [BUF634 data sheet](#) for more information.

The resistive front end of the ADS7810 also provides an ensured  $\pm$ 25V over voltage protection. In most cases, this eliminates the need for external input protection circuitry.

### INTERMEDIATE LATCHES

The ADS7810 does have 3-state outputs for the parallel port, but intermediate latches should be used if the bus will be active during conversions. If the bus is not active during conversions, the 3-state outputs can be used to isolate the A/D from other peripherals on the same bus.

Intermediate latches are beneficial on any monolithic A/D converter. The ADS7810 has an internal LSB size of 610mV. Transients from fast switching signals on the parallel port, even when the A/D is 3-stated, can be coupled through the substrate to the analog circuitry causing degradation of converter performance.

## REVISION HISTORY

Changes from Original (March, 1998) to Revision A	Page
• Updated document format to meet current standards .....	1
• Updated <i>Features</i> list item indicating max INL and DNL specifications .....	1
• Changed indicated temperature range in <i>Description</i> section .....	1
• Updated <i>Ordering Information</i> table .....	2
• Changed temperature range for Electrical Characteristics measurement conditions .....	3
• Changed ADS7810U integral linearity error to $\pm 3$ LSB .....	3
• Changed ADS7810UB integral linearity error to $\pm 3$ LSB .....	3
• Changed differential linearity error for both ADS7810U and ADS7810UB to $\pm 3$ LSB .....	3
• Changed ADS7810U full-scale error to $\pm 3$ LSB .....	3
• Changed ADS7810UB full-scale error to $\pm 3$ LSB .....	3
• Changed ADS7810U full-scale error with ext.2.5V Ref to $\pm 1$ LSB .....	3
• Changed ADS7810UB full-scale error with ext.2.5V Ref to $\pm 1$ LSB .....	3
• Changed temperature range for Electrical Characteristics measurement conditions .....	4
• Changed specified temperature range to $-40^{\circ}\text{C}$ to $+70^{\circ}\text{C}$ .....	4

**PACKAGING INFORMATION**

Orderable Device	Status (1)	Package Type	Package Drawing	Pins	Package Qty	Eco Plan (2)	Lead/Ball Finish (6)	MSL Peak Temp (3)	Op Temp (°C)	Device Marking (4/5)	Samples
ADS7810U	LIFEBUY	SOIC	DW	28	20	Green (RoHS & no Sb/Br)	CU NIPDAU-DCC	Level-3-260C-168 HR	-40 to 85	ADS7810U B	

(1) The marketing status values are defined as follows:

**ACTIVE:** Product device recommended for new designs.

**LIFEBUY:** TI has announced that the device will be discontinued, and a lifetime-buy period is in effect.

**NRND:** Not recommended for new designs. Device is in production to support existing customers, but TI does not recommend using this part in a new design.

**PREVIEW:** Device has been announced but is not in production. Samples may or may not be available.

**OBSELETE:** TI has discontinued the production of the device.

(2) **RoHS:** TI defines "RoHS" to mean semiconductor products that are compliant with the current EU RoHS requirements for all 10 RoHS substances, including the requirement that RoHS substance do not exceed 0.1% by weight in homogeneous materials. Where designed to be soldered at high temperatures, "RoHS" products are suitable for use in specified lead-free processes. TI may reference these types of products as "Pb-Free".

**RoHS Exempt:** TI defines "RoHS Exempt" to mean products that contain lead but are compliant with EU RoHS pursuant to a specific EU RoHS exemption.

**Green:** TI defines "Green" to mean the content of Chlorine (Cl) and Bromine (Br) based flame retardants meet JS709B low halogen requirements of <=1000ppm threshold. Antimony trioxide based flame retardants must also meet the <=1000ppm threshold requirement.

(3) MSL, Peak Temp. - The Moisture Sensitivity Level rating according to the JEDEC industry standard classifications, and peak solder temperature.

(4) There may be additional marking, which relates to the logo, the lot trace code information, or the environmental category on the device.

(5) Multiple Device Markings will be inside parentheses. Only one Device Marking contained in parentheses and separated by a "~" will appear on a device. If a line is indented then it is a continuation of the previous line and the two combined represent the entire Device Marking for that device.

(6) Lead/Ball Finish - Orderable Devices may have multiple material finish options. Finish options are separated by a vertical ruled line. Lead/Ball Finish values may wrap to two lines if the finish value exceeds the maximum column width.

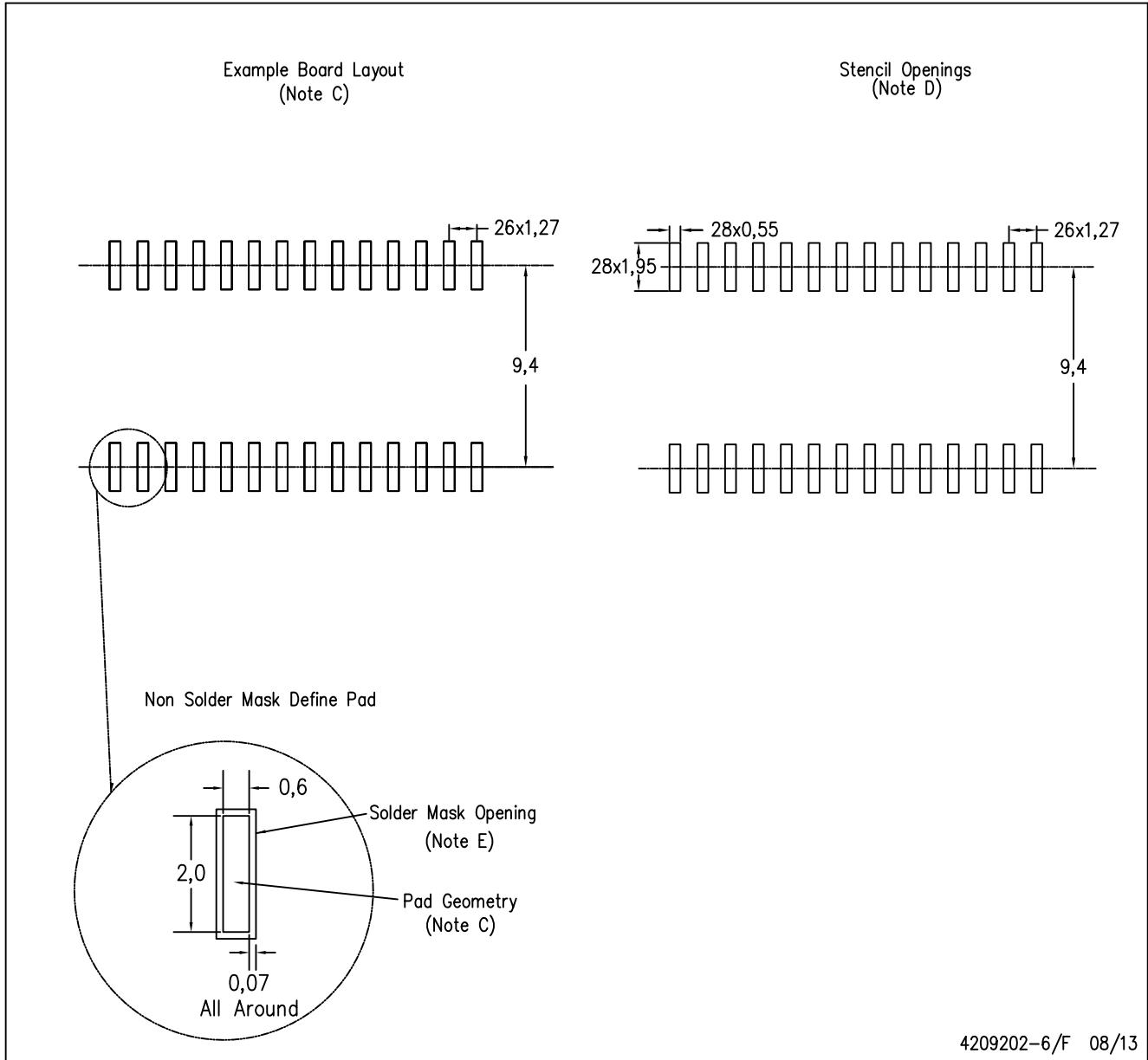
**Important Information and Disclaimer:**The information provided on this page represents TI's knowledge and belief as of the date that it is provided. TI bases its knowledge and belief on information provided by third parties, and makes no representation or warranty as to the accuracy of such information. Efforts are underway to better integrate information from third parties. TI has taken and continues to take reasonable steps to provide representative and accurate information but may not have conducted destructive testing or chemical analysis on incoming materials and chemicals. TI and TI suppliers consider certain information to be proprietary, and thus CAS numbers and other limited information may not be available for release.

In no event shall TI's liability arising out of such information exceed the total purchase price of the TI part(s) at issue in this document sold by TI to Customer on an annual basis.



DW (R-PDSO-G28)

PLASTIC SMALL OUTLINE



4209202-6/F 08/13

- NOTES:
- A. All linear dimensions are in millimeters.
  - B. This drawing is subject to change without notice.
  - C. Refer to IPC7351 for alternate board design.
  - D. Laser cutting apertures with trapezoidal walls and also rounding corners will offer better paste release. Customers should contact their board assembly site for stencil design recommendations. Refer to IPC-7525
  - E. Customers should contact their board fabrication site for solder mask tolerances between and around signal pads.

## IMPORTANT NOTICE AND DISCLAIMER

TI PROVIDES TECHNICAL AND RELIABILITY DATA (INCLUDING DATASHEETS), DESIGN RESOURCES (INCLUDING REFERENCE DESIGNS), APPLICATION OR OTHER DESIGN ADVICE, WEB TOOLS, SAFETY INFORMATION, AND OTHER RESOURCES "AS IS" AND WITH ALL FAULTS, AND DISCLAIMS ALL WARRANTIES, EXPRESS AND IMPLIED, INCLUDING WITHOUT LIMITATION ANY IMPLIED WARRANTIES OF MERCHANTABILITY, FITNESS FOR A PARTICULAR PURPOSE OR NON-INFRINGEMENT OF THIRD PARTY INTELLECTUAL PROPERTY RIGHTS.

These resources are intended for skilled developers designing with TI products. You are solely responsible for (1) selecting the appropriate TI products for your application, (2) designing, validating and testing your application, and (3) ensuring your application meets applicable standards, and any other safety, security, or other requirements. These resources are subject to change without notice. TI grants you permission to use these resources only for development of an application that uses the TI products described in the resource. Other reproduction and display of these resources is prohibited. No license is granted to any other TI intellectual property right or to any third party intellectual property right. TI disclaims responsibility for, and you will fully indemnify TI and its representatives against, any claims, damages, costs, losses, and liabilities arising out of your use of these resources.

TI's products are provided subject to TI's Terms of Sale ([www.ti.com/legal/termsofsale.html](http://www.ti.com/legal/termsofsale.html)) or other applicable terms available either on [ti.com](http://ti.com) or provided in conjunction with such TI products. TI's provision of these resources does not expand or otherwise alter TI's applicable warranties or warranty disclaimers for TI products.

Mailing Address: Texas Instruments, Post Office Box 655303, Dallas, Texas 75265  
Copyright © 2019, Texas Instruments Incorporated

## Looking for pricing, stock, or lifecycle information?

Click below to explore more details on WIN SOURCE:

 [View ADS7810U](#) on WIN SOURCE

 [Texas Instruments](#) Information

## Optimize Your Supply Chain with WIN SOURCE Solutions

-  Global Sourcing Solution
-  Obsolete Management
-  Cost Control Management
-  Shortage Management
-  Alternative Solution
-  Excess Inventory Management