



**THE DATASHEET OF
ADS1000A0QDBVRQ1**



ADS1000-Q1 Low-Power 12-Bit Analog-to-Digital Converter With I²C™ Interface

1 Features

- Qualified for Automotive Applications
- Complete 12-Bit Data Acquisition System in a Tiny SOT-23 Package
- Low Current Consumption: Only 90 μ A
- Integral Nonlinearity: 1 LSB Max
- Single-Cycle Conversion
- Programmable Gain Amplifier
Gain = 1, 2, 4, or 8
- 128-SPS Data Rate
- I²C Interface with Two Available Addresses
- Power Supply: 2.7 V to 5.5 V

2 Applications

- Automotive Head Units
- Automotive Battery Management Systems
- Automotive On-Board Chargers
- HEV/EV Inverters
- NOx Sensors
- Soot and Particulate Matter (PM) Sensors
- Oxygen (O₂, Lambda, A/F) Sensors
- Ammonia (NH₃) Sensors
- Other Emissions and Gas Sensors

3 Description

The ADS1000-Q1 is an I²C-compatible serial interface analog-to-digital (A/D) converter with differential inputs and 12 bits of resolution in a tiny SOT23-6 package. Conversions are performed ratiometrically, using the power supply as the reference voltage. The ADS1000-Q1 operates from a single power supply ranging from 2.7 V to 5.5 V.

The ADS1000-Q1 performs conversions at a rate of 128 samples per second (SPS). The onboard programmable gain amplifier (PGA), which offers gains of up to 8, allows smaller signals to be measured with high resolution. In single-conversion mode, the ADS1000-Q1 automatically powers down after a conversion, greatly reducing current consumption during idle periods.

The ADS1000-Q1 is designed for applications where space and power consumption are major considerations. Typical applications include head units, battery management systems, on-board chargers, and emissions and gas sensors.

Device Information⁽¹⁾

PART NUMBER	PACKAGE	BODY SIZE (NOM)
ADS1000-Q1	SOT-23 (6)	1.60 mm x 2.90 mm

(1) For all available packages, see the orderable addendum at the end of the data sheet.

Internal Block Diagram

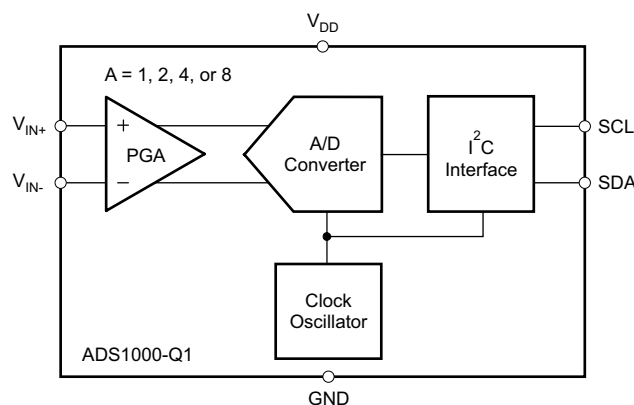


Table of Contents

1 Features	1	7.4 Device Functional Modes	8
2 Applications	1	7.5 Programming	9
3 Description	1	7.6 Register Maps	10
4 Revision History	2	8 Application and Implementation	13
5 Pin Configuration and Functions	3	8.1 Application Information	13
6 Specifications	4	8.2 Typical Applications	16
6.1 Absolute Maximum Ratings	4	9 Power Supply Recommendations	19
6.2 ESD Ratings	4	10 Layout	19
6.3 Recommended Operating Conditions	4	10.1 Layout Guidelines	19
6.4 Thermal Information	4	10.2 Layout Example	19
6.5 Electrical Characteristics	5	11 Device and Documentation Support	20
6.6 Timing Requirements	6	11.1 Community Resources	20
6.7 Typical Characteristics	7	11.2 Trademarks	20
7 Detailed Description	8	11.3 Electrostatic Discharge Caution	20
7.1 Overview	8	11.4 Glossary	20
7.2 Functional Block Diagram	8	12 Mechanical, Packaging, and Orderable Information	20
7.3 Feature Description	8		

4 Revision History

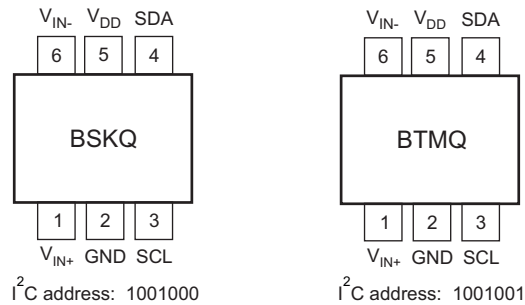
Changes from Revision A (August 2010) to Revision B

Page

- Added *ESD Ratings* table, *Feature Description* section, *Device Functional Modes*, *Application and Implementation* section, *Power Supply Recommendations* section, *Layout* section, *Device and Documentation Support* section, and *Mechanical, Packaging, and Orderable Information* section. **1**

5 Pin Configuration and Functions

**DBV Package
6-Pin SOT-23
Top View**



Note: Marking text direction indicates pin 1.

Marking text depends on I²C address; see [Mechanical, Packaging, and Orderable Information](#).

Pin Functions

PIN		I/O	DESCRIPTION
NAME	NO.		
GND	2	—	Ground
SCL	3	I	Serial Clock Line
SDA	4	I/O	Serial Data Line
V _{DD}	5	I	Power Supply
V _{IN-}	6	I	Negative Differential Input
V _{IN+}	1	I	Positive Differential Input

6 Specifications

6.1 Absolute Maximum Ratings

Over operating free-air temperature range (unless otherwise noted).⁽¹⁾

	MIN	MAX	UNIT
V_{DD} to GND	-0.3	6	V
Input current (momentary)		100	mA
Input current (continuous)		10	mA
Voltage to GND, V_{IN+} , V_{IN-}	-0.3 to V_{DD}	0.3	V
Voltage to GND, SDA, SCL	-0.5	6	V
Maximum junction temperature, T_J		150	°C
Operating temperature	-40	125	°C
Storage temperature	-60	150	°C

- (1) Stresses beyond those listed under *Absolute Maximum Ratings* may cause permanent damage to the device. These are stress ratings only, which do not imply functional operation of the device at these or any other conditions beyond those indicated under *Recommended Operating Conditions*. Exposure to absolute-maximum-rated conditions for extended periods may affect device reliability.

6.2 ESD Ratings

		VALUE	UNIT	
$V_{(ESD)}$ Electrostatic discharge	Human body model (HBM), per AEC-Q100-002 ⁽¹⁾	±2000	V	
	Charged device model (CDM), per JEDEC specification AEC-Q100-011	All pins		±500
		Corner pins		±750

- (1) AEC Q100-002 indicates that HBM stressing shall be in accordance with the ANSI/ESDA/JEDEC JS-001 specification.

6.3 Recommended Operating Conditions

over operating free-air temperature range (unless otherwise noted)

		MIN	NOM	MAX	UNIT
POWER-SUPPLY REQUIREMENTS					
Power-supply voltage	V_{DD}	2.7		5.5	V
ANALOG INPUT					
Analog input voltage	V_{IN+} , V_{IN-} to GND	GND – 0.2		$V_{DD} + 0.2$	V
Full-scale input voltage	$(V_{IN+}) - (V_{IN-})$			$\pm V_{DD}/PGA^{(1)}$	V

- (1) Each input, V_{IN+} and V_{IN-} , must meet the absolute input voltage specifications.

6.4 Thermal Information

THERMAL METRIC ⁽¹⁾		ALD1000-Q1	UNIT
		DBV (SOT-23)	
		6 PINS	
$R_{\theta JA}$	Junction-to-ambient thermal resistance	182.2	°C/W
$R_{\theta JC(top)}$	Junction-to-case (top) thermal resistance	126.5	°C/W
$R_{\theta JB}$	Junction-to-board thermal resistance	34.1	°C/W
Ψ_{JT}	Junction-to-top characterization parameter	20.7	°C/W
Ψ_{JB}	Junction-to-board characterization parameter	33.4	°C/W
$R_{\theta JC(bot)}$	Junction-to-case (bottom) thermal resistance	N/A	°C/W

- (1) For more information about traditional and new thermal metrics, see the *Semiconductor and IC Package Thermal Metrics* application report, [SPRA953](#).

6.5 Electrical Characteristics

All specifications at -40°C to 125°C , $V_{\text{DD}} = 5\text{ V}$, $\text{GND} = 0\text{ V}$, and all PGAs (unless otherwise noted)

PARAMETER	TEST CONDITIONS	MIN	TYP	MAX	UNIT
ANALOG INPUT					
Differential input impedance			2.4/PGA		M Ω
Common-mode input impedance			8		M Ω
SYSTEM PERFORMANCE					
Resolution	No missing codes	12			Bits
Data rate		104	128	184	SPS
Integral nonlinearity (INL)			± 0.1	1	LSB
Offset error			1	± 2	LSB
Gain error			0.01%	0.1%	
DIGITAL INPUT/OUTPUT					
Logic level					
V_{IH}		0.7 V_{DD}		6	V
V_{IL}		$\text{GND} - 0.5$		0.3 V_{DD}	V
V_{OL}	$I_{\text{OL}} = 3\text{ mA}$	GND		0.4	V
Input leakage					
I_{IH}	$V_{\text{IH}} = 5.5\text{ V}$			10	μA
I_{IL}	$V_{\text{IL}} = \text{GND}$	-10			μA
POWER-SUPPLY REQUIREMENTS					
Power-supply voltage	V_{DD}	2.7		5.5	V
Supply current	Power-down		0.05	2	μA
	Active		90	150	μA
Power dissipation					μW
	$V_{\text{DD}} = 5\text{ V}$		450	750	μW
	$V_{\text{DD}} = 3\text{ V}$		210		μW

6.6 Timing Requirements

PARAMETER	FAST MODE		HIGH-SPEED MODE		UNIT
	MIN	MAX	MIN	MAX	
SCLK operating frequency $f_{(SCLK)}$		0.4		3.4	MHz
Bus free time between STOP and START conditions $t_{(BUF)}$	600		160		ns
Hold time after repeated START condition After this period, the first clock is generated. $t_{(HDSTA)}$	600		160		ns
Repeated START condition setup time $t_{(SUSTA)}$	600		160		ns
STOP condition setup time $t_{(SUSTO)}$	600		160		ns
Data hold time $t_{(HDDAT)}$	0		0		ns
Data setup time $t_{(SUDAT)}$	100		10		ns
SCLK clock low period $t_{(LOW)}$	1300		160		ns
SCLK clock high period $t_{(HIGH)}$	600		60		ns
Clock/data fall time t_F		300		160	ns
Clock/data rise time t_R		300		160	ns

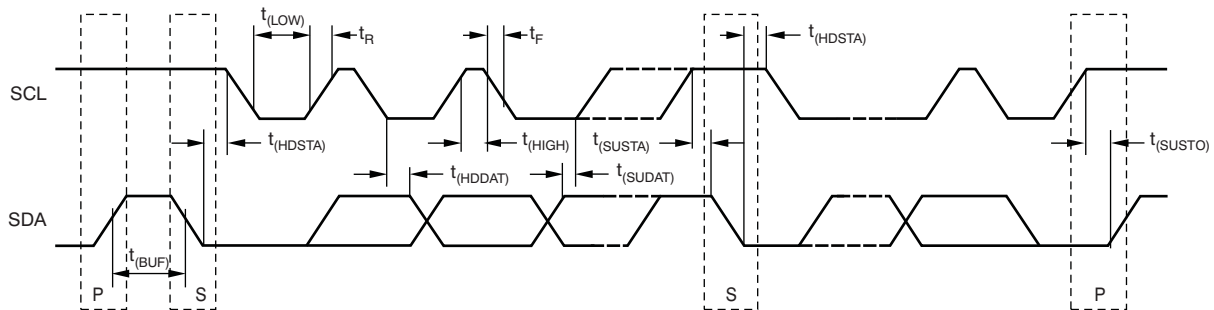


Figure 1. I²C Timing Diagram

6.7 Typical Characteristics

At $T_A = 25^\circ\text{C}$ and $V_{DD} = 5\text{ V}$, unless otherwise indicated.

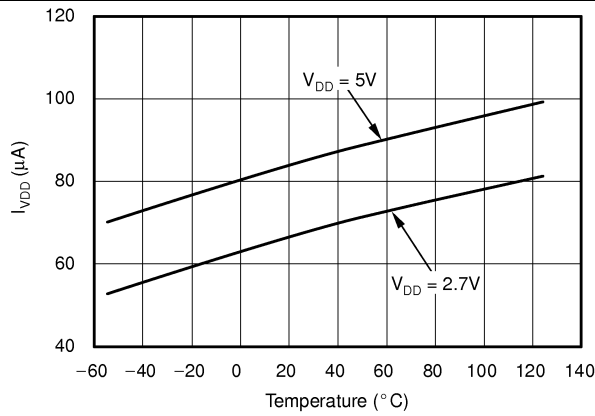


Figure 2. Supply Current vs Temperature

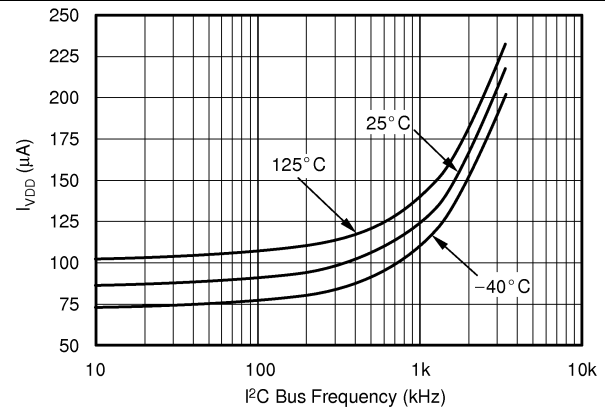


Figure 3. Supply Current vs I²C Bus Frequency

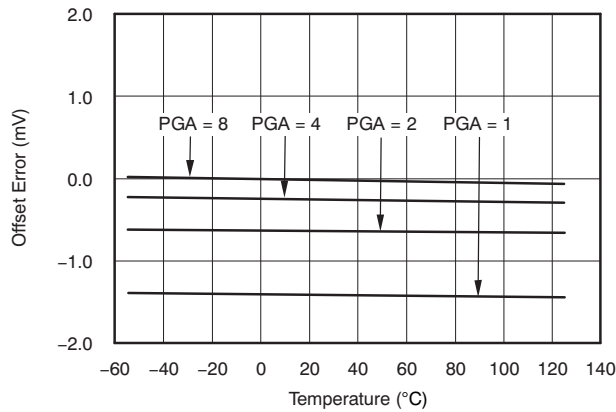


Figure 4. Offset Error vs Temperature

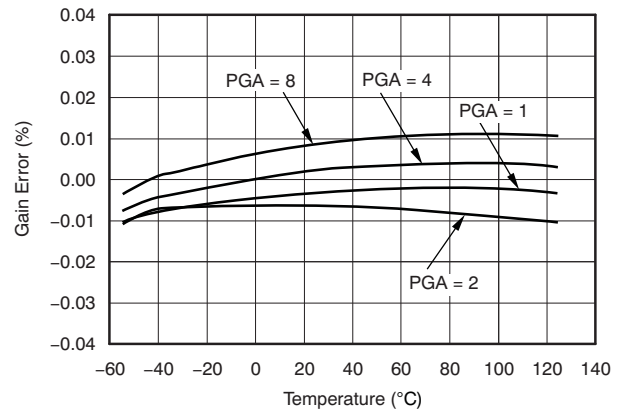


Figure 5. Gain Error vs Temperature

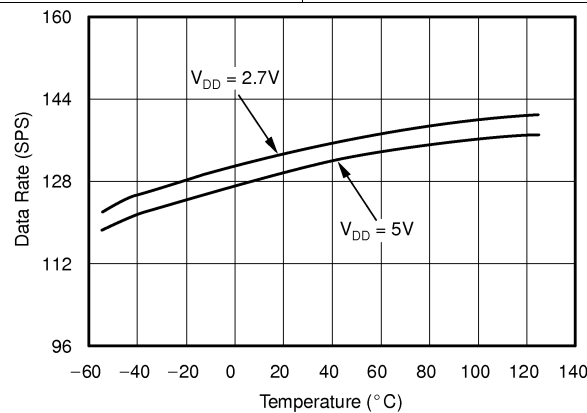


Figure 6. Data Rate vs Temperature

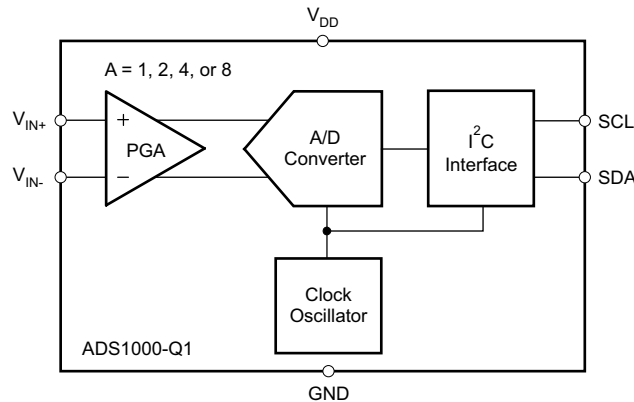
7 Detailed Description

7.1 Overview

The ADS1000-Q1 is a fully differential, 12-bit A/D converter. The ADS1000-Q1 allows users to obtain precise measurements with a minimum of effort, and the device is easy to design with and configure.

The ADS1000-Q1 consists of an A/D converter core with adjustable gain, a clock generator, and an I²C interface. Each of these blocks are described in detail in the following sections.

7.2 Functional Block Diagram



7.3 Feature Description

7.3.1 Analog-to-Digital Converter

The ADS1000-Q1 uses a switched-capacitor input stage. To external circuitry, it looks roughly like a resistance. The resistance value depends on the capacitor values and the rate at which they are switched. The switching clock is generated by the onboard clock generator, so its frequency, nominally 275 kHz, is dependent on supply voltage and temperature. The capacitor values depend on the PGA setting.

The common-mode and differential input impedances are different. For a gain setting of PGA, the differential input impedance is typically 2.4 M Ω /PGA. The common-mode impedance is typically 8 M Ω .

7.3.2 Clock Generator

The ADS1000-Q1 features an onboard clock generator. The [Typical Characteristics](#) show variations in data rate over supply voltage and temperature. It is not possible to operate the ADS1000-Q1 with an external clock.

7.4 Device Functional Modes

7.4.1 Operating Modes

The ADS1000-Q1 operates in one of two modes: continuous conversion and single conversion.

In continuous conversion mode, the ADS1000-Q1 continuously performs conversions. Once a conversion has been completed, the ADS1000-Q1 places the result in the output register, and immediately begins another conversion. When the ADS1000-Q1 is in continuous conversion mode, the ST/BSY bit in the configuration register always reads 1.

In single conversion mode, the ADS1000-Q1 waits until the ST/BSY bit in the conversion register is set to 1. When this happens, the ADS1000-Q1 powers up and performs a single conversion. After the conversion completes, the ADS1000-Q1 places the result in the output register, resets the ST/BSY bit to 0 and powers down. Writing a 1 to ST/BSY while a conversion is in progress has no effect.

When switching from continuous conversion mode to single conversion mode, the ADS1000-Q1 will complete the current conversion, reset the ST/BSY bit to 0 and power down the device.

Device Functional Modes (continued)

7.4.2 Reset and Power Up

When the ADS1000-Q1 powers up, it automatically performs a reset. As part of the reset, the ADS1000-Q1 sets all of the bits in the configuration register to their respective default settings.

The ADS1000-Q1 responds to the I²C General Call Reset command. When the ADS1000-Q1 receives a General Call Reset, it performs an internal reset, exactly as though it had just been powered on.

7.5 Programming

7.5.1 I²C Interface

The ADS1000-Q1 communicates through an I²C (Inter-Integrated Circuit) interface. The I²C interface is a two-wire, open-drain interface supporting multiple devices and masters on a single bus. Devices on the I²C bus only drive the bus lines low, by connecting them to ground; they never drive the bus lines high. Instead, the bus wires are pulled high by pullup resistors, so the bus wires are high when no device is driving them low. This way, two devices cannot conflict; if two devices drive the bus simultaneously, there is no driver contention.

Communication on the I²C bus always takes place between two devices, one acting as the master and the other acting as the slave. Both masters and slaves can read and write, but slaves can only do so under the direction of the master. Some I²C devices can act as masters or slaves, but the ADS1000-Q1 can only act as a slave device.

An I²C bus consists of two lines, SDA and SCL. SDA carries data; SCL provides the clock. All data is transmitted across the I²C bus in groups of eight bits. To send a bit on the I²C bus, the SDA line is driven to the bit level while SCL is low (a Low on SDA indicates the bit is 0; a High indicates the bit is 1). Once the SDA line has settled, the SCL line is brought high, then low. This pulse on SCL clocks the SDA bit into the receiver shift register.

The I²C bus is bidirectional: the SDA line is used both for transmitting and receiving data. When a master reads from a slave, the slave drives the data line; when a master sends to a slave, the master drives the data line. The master always drives the clock line. The ADS1000-Q1 never drives SCL, because it cannot act as a master. On the ADS1000-Q1, SCL is an input only.

Most of the time the bus is idle, no communication takes place, and both lines are high. When communication takes place, the bus is active. Only master devices can start a communication. They do this by causing a start condition on the bus. Normally, the data line is only allowed to change state while the clock line is low. If the data line changes state while the clock line is high, it is either a *start* condition or its counterpart, a *stop* condition. A start condition is when the clock line is high and the data line goes from high to low. A stop condition is when the clock line is high and the data line goes from low to high.

After the master issues a start condition, it sends a byte that indicates with which slave device it wants to communicate. This byte is called the *address byte*. Each device on an I²C bus has a unique 7-bit address to which it responds. (Slaves can also have 10-bit addresses; see the I²C specification for details.) The master sends an address in the address byte, together with a bit that indicates whether it wishes to read from or write to the slave device.

Every byte transmitted on the I²C bus, whether it be address or data, is acknowledged with an *acknowledge* bit. When a master has finished sending a byte, eight data bits, to a slave, it stops driving SDA and waits for the slave to acknowledge the byte. The slave acknowledges the byte by pulling SDA low. The master then sends a clock pulse to clock the acknowledge bit. Similarly, when a master has finished reading a byte, it pulls SDA low to acknowledge to the slave that it has finished reading the byte. It then sends a clock pulse to clock the bit. (Remember that the master always drives the clock line.)

A *not-acknowledge* is performed by simply leaving SDA high during an acknowledge cycle. If a device is not present on the bus, and the master attempts to address it, it will receive a not-acknowledge because no device is present at that address to pull the line low.

When a master has finished communicating with a slave, it may issue a stop condition. When a stop condition is issued, the bus becomes idle again. A master may also issue another start condition. When a start condition is issued while the bus is active, it is called a *repeated start condition*.

A timing diagram for an ADS1000-Q1 I²C transaction is shown in [Figure 1. Timing Requirements](#) gives the parameters for this diagram.

Programming (continued)

7.5.2 Output Code Calculation

The ADS1000-Q1 outputs codes in binary two's complement format. The output code is confined to the range of numbers: –2048 to 2047, and is given by:

$$\text{Output Code} = 2048(\text{PGA}) \left(\frac{V_{\text{IN}+} - V_{\text{IN}-}}{V_{\text{DD}}} \right) \quad (1)$$

7.5.3 ADS1000-Q1 I²C Addresses

The ADS1000-Q1 I²C address is either 1001000 or 1001001, set at the factory. The address is identified with an A0 or an A1 within the orderable name.

The two different I²C variants are also marked differently. Devices with an I²C address of 1001000 have packages marked **BD0**, while devices with an I²C address of 1001001 are marked with **BD1**.

7.5.4 I²C General Call

The ADS1000-Q1 responds to General Call Reset, which is an address byte of 00h followed by a data byte of 06h. The ADS1000-Q1 acknowledges both bytes.

On receiving a General Call Reset, the ADS1000-Q1 performs a full internal reset, just as though it had been powered off and then on. If a conversion is in process, it is interrupted; the output register is set to zero, and the configuration register returns to its default setting.

The ADS1000-Q1 always acknowledges the General Call address byte of 00h, but it does not acknowledge any General Call data bytes other than 04h or 06h.

7.5.5 I²C Data Rates

The I²C bus operates in one of three speed modes: *Standard*, which allows a clock frequency of up to 100 kHz; *Fast*, which allows a clock frequency of up to 400 kHz; and *High-speed* mode (also called Hs mode), which allows a clock frequency of up to 3.4 MHz. The ADS1000-Q1 is fully compatible with all three modes.

No special action needs to be taken to use the ADS1000-Q1 in Standard or Fast modes, but High-speed mode must be activated. To activate High-speed mode, send a special address byte of 00001XXX following the start condition, where the **XXX** bits are unique to the Hs-capable master. This byte is called the *Hs master code*. (This is different from normal address bytes; the low bit does not indicate read/write status.) The ADS1000-Q1 will not acknowledge this byte; the I²C specification prohibits acknowledgment of the Hs master code. On receiving a master code, the ADS1000-Q1 will switch on its High-speed mode filters, and will communicate at up to 3.4 MHz. The ADS1000-Q1 switches out of Hs mode with the next stop condition.

For more information on High-speed mode, consult the I²C specification.

7.6 Register Maps

The ADS1000-Q1 has two registers that are accessible through its I²C port. The output register contains the result of the last conversion; the configuration register allows users to change the ADS1000-Q1 operating mode and query the status of the device.

Register Maps (continued)

7.6.1 Output Register

The 16-bit output register contains the result of the last conversion in binary two's complement format. Because the port yields 12 bits of data, the ADS1000-Q1 outputs right-justified and sign-extended codes. This format makes it possible to perform averaging using a 16-bit accumulator. The output register format is shown in [Figure 7](#).

Following reset or power up, the output register is set to 0; it remains zero until the first conversion is completed. Therefore, if a user reads the ADS1000-Q1 just after reset or power up, the output register will read 0.

Figure 7. Output Register

15	14	13	12	11	10	9	8	7	6	5	4	3	2	1	0
D15 ⁽¹⁾	D14 ⁽¹⁾	D13 ⁽¹⁾	D12 ⁽¹⁾	D11	D10	D9	D8	D7	D6	D5	D4	D3	D2	D1	D0

(1) D15–D12 are sign extensions of 12-bit data.

7.6.2 Configuration Register

A user controls the ADS1000-Q1 operating mode and PGA settings through the 8-bit configuration register. The configuration register format is shown in [Figure 8](#). The default setting is 80H.

Figure 8. Configuration Register

7	6	5	4	3	2	1	0
ST/BSY	Reserved		SC	Reserved		PGA1	PGA0

Table 1. Configuration Register Field Descriptions

BIT	FIELD	TYPE	RESET	DESCRIPTION
7	ST/BSY	RW	1	The meaning of the ST/BSY bit depends on whether it is being written to or read from. In single conversion mode, writing a 1 to the ST/BSY bit causes a conversion to start, and writing a 0 has no effect. In continuous conversion mode, the ADS1000-Q1 ignores the value written to ST/BSY. When read in single conversion mode, ST/BSY indicates whether the A/D converter is busy taking a conversion. If ST/BSY is read as 1, the A/D converter is busy, and a conversion is taking place; if 0, no conversion is taking place, and the result of the last conversion is available in the output register. In continuous mode, ST/BSY is always read as 1.
6-5	Reserved	R	00	
4	SC		0	SC controls whether the ADS1000-Q1 is in continuous conversion or single conversion mode. When SC is 1, the ADS1000-Q1 is in single conversion mode; when SC is 0, the ADS1000-Q1 is in continuous conversion mode.
3-2	Reserved	R	00	
1	PGA1		0	Bits 1 and 0 control the ADS1000-Q1 gain setting; see Table 2 .
0	PGA0		0	Bits 1 and 0 control the ADS1000-Q1 gain setting; see Table 2 .

Table 2. PGA Bits

PGA1	PGA0	GAIN
0 ⁽¹⁾	0 ⁽¹⁾	1 ⁽¹⁾
0	1	2
1	0	4
1	1	8
(1) Default setting		

7.6.3 Reading From the ADS1000-Q1

A user can read the output register and the contents of the configuration register from the ADS1000-Q1. To do this, address the ADS1000-Q1 for reading, and read three bytes from the device. The first two bytes are the output register contents; the third byte is the configuration register contents.

A user does not always have to read three bytes from the ADS1000-Q1. If only the contents of the output register are needed, read only two bytes.

Reading more than three bytes from the ADS1000-Q1 has no effect. All of the bytes beginning with the fourth byte will be FFh. See Figure 9 for a timing diagram of an ADS1000-Q1 read operation.

7.6.4 Writing to the ADS1000-Q1

A user can write new contents into the configuration register (the contents of the output register cannot change). To do this, address the ADS1000-Q1 for writing, and write one byte to it. This byte is written into the configuration register.

Writing more than one byte to the ADS1000-Q1 has no effect. The ADS1000-Q1 ignores any bytes sent to it after the first one, and will only acknowledge the first byte. See Figure 10 for a timing diagram of an ADS1000-Q1 write operation.

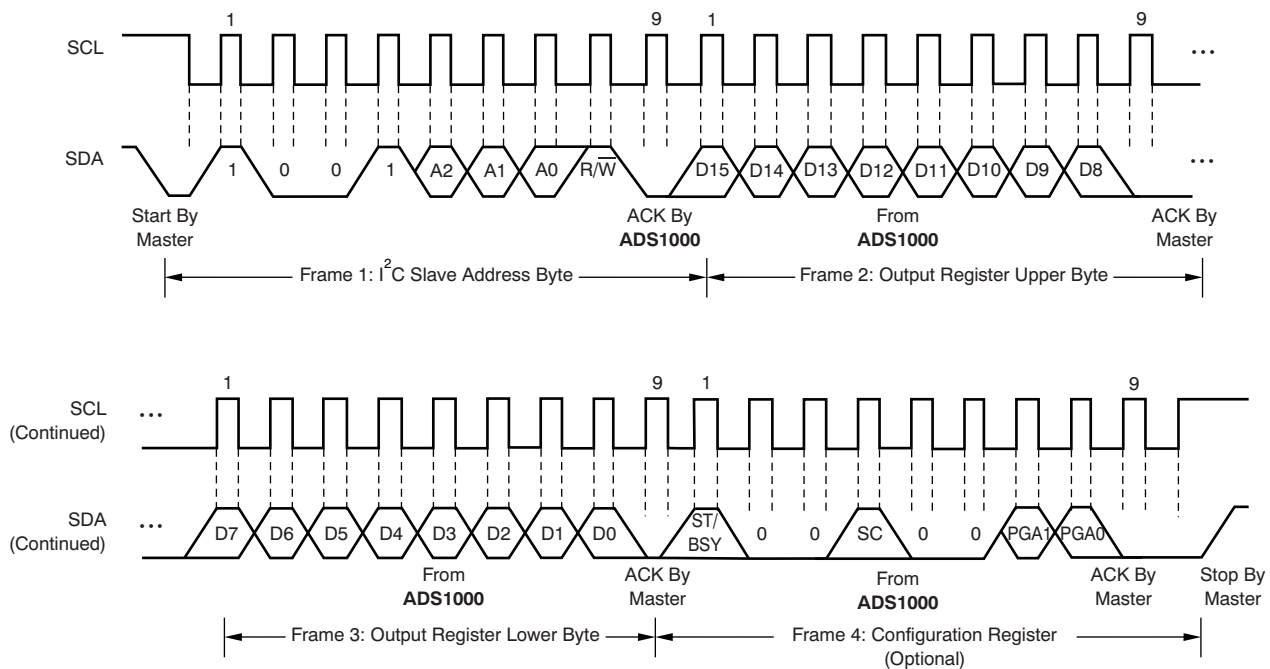


Figure 9. Timing Diagram for Reading from the ADS1000-Q1

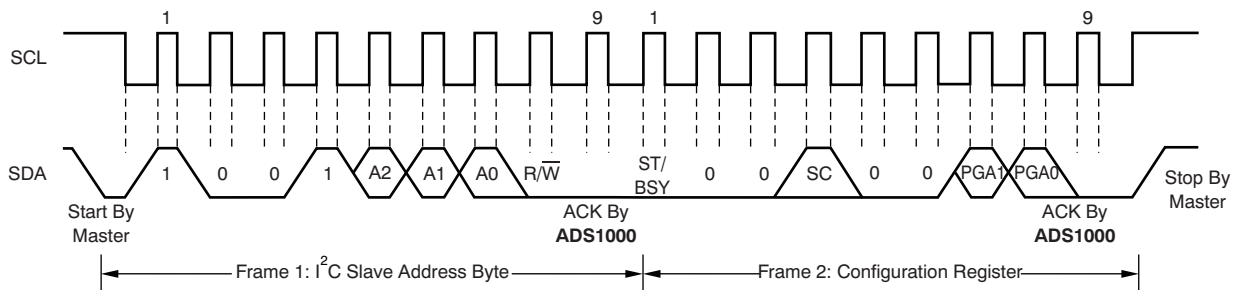


Figure 10. Timing Diagram for Writing to the ADS1000-Q1

8 Application and Implementation

NOTE

Information in the following applications sections is not part of the TI component specification, and TI does not warrant its accuracy or completeness. TI's customers are responsible for determining suitability of components for their purposes. Customers should validate and test their design implementation to confirm system functionality.

8.1 Application Information

The following sections give example circuits and suggestions for using the ADS1000-Q1 in various situations.

8.1.1 Basic Connections

For many applications, connecting the ADS1000-Q1 is extremely simple. A basic connection diagram for the ADS1000-Q1 is shown in [Figure 11](#).

The fully differential voltage input of the ADS1000-Q1 is ideal for connection to differential sources with moderately low source impedance, such as bridge sensors and thermistors. Although the ADS1000-Q1 can read bipolar differential signals, it cannot accept negative voltages on either input. It may be helpful to think of the ADS1000-Q1 positive voltage input as noninverting, and of the negative input as inverting.

When the ADS1000-Q1 is converting, it draws current in short spikes. The 0.1- μ F bypass capacitor supplies the momentary bursts of extra current needed from the supply.

The ADS1000-Q1 interfaces directly to standard mode, fast mode, and high-speed mode I²C controllers. Any microcontroller I²C peripheral, including master-only and non-multiple-master I²C peripherals, will work with the ADS1000-Q1. The ADS1000-Q1 does not perform clock-stretching (that is, it never pulls the clock line low), so it is not necessary to provide for this unless other devices are on the same I²C bus.

Pullup resistors are necessary on both the SDA and SCL lines because I²C bus drivers are open-drain. The size of these resistors depends on the bus operating speed and capacitance of the bus lines. Higher-value resistors consume less power, but increase the transition times on the bus, limiting the bus speed. Lower-value resistors allow higher speed at the expense of higher power consumption. Long bus lines have higher capacitance and require smaller pullup resistors to compensate. The resistors should not be too small; if they are, the bus drivers may not be able to pull the bus lines low.

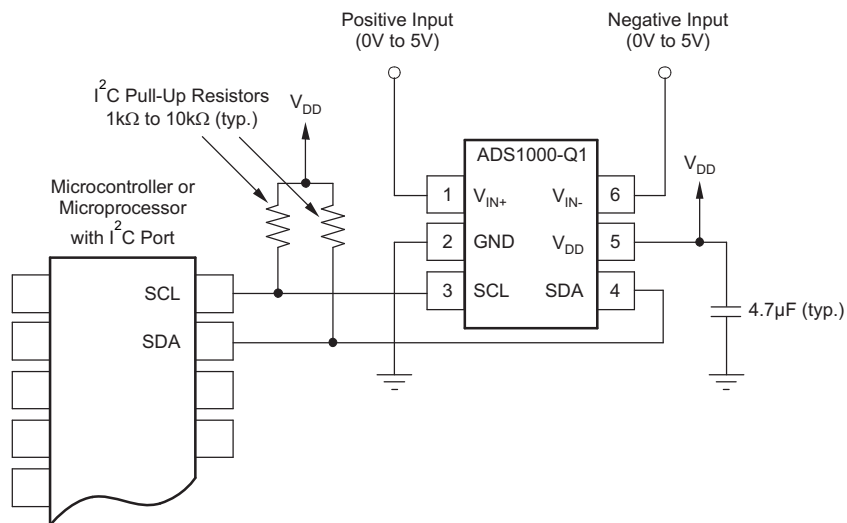


Figure 11. Typical Connections of the ADS1000-Q1

Application Information (continued)

8.1.1.1 Connecting Multiple Devices

Connecting two ADS1000-Q1 devices to a single bus is almost trivial. An example showing two ADS1000-Q1 devices and one ADS1100 connected on a single bus is shown in Figure 12. Multiple devices can be connected to a single bus (provided that their addresses are different).

Only one set of pullup resistors is needed per bus. A user might find that he or she needs to lower the pullup resistor values slightly to compensate for the additional bus capacitance presented by multiple devices and increased line length.

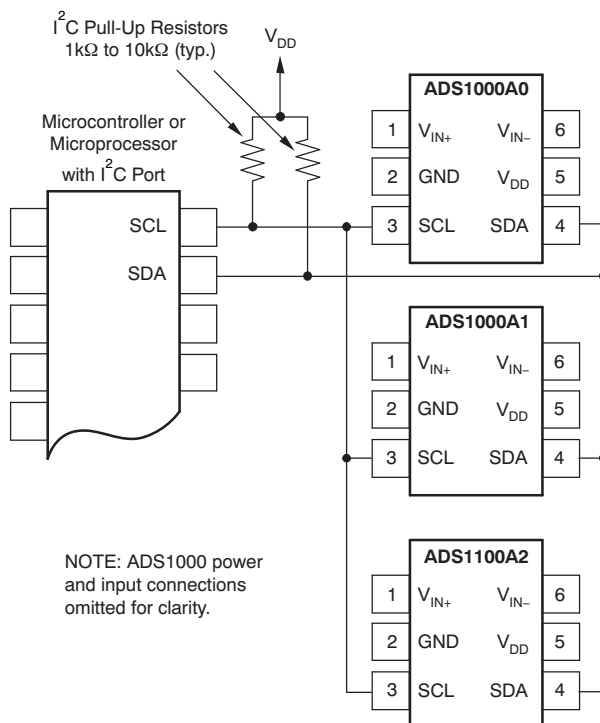


Figure 12. Connecting Multiple ADS1000-Q1 Devices

8.1.1.2 Using GPIO Ports For I²C

Most microcontrollers have programmable input and output pins that can be set in software to act as inputs or outputs. If an I²C controller is not available, the ADS1000-Q1 can be connected to GPIO pins, and the I²C bus protocol simulated, or bit-banged, in software. An example of this for a single ADS1000-Q1 is shown in Figure 13.

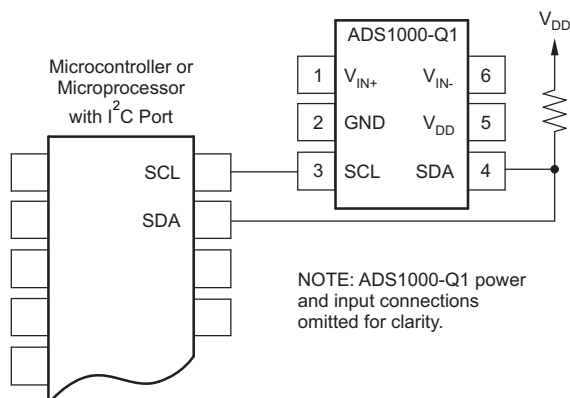


Figure 13. Using GPIO With a Single ADS1000-Q1

Application Information (continued)

Bit-banging I²C with GPIO pins can be done by setting the GPIO line to zero and toggling it between input and output modes to apply the proper bus states. To drive the line low, the pin is set to output a 0; to let the line go high, the pin is set to input. When the pin is set to input, the state of the pin can be read; if another device is pulling the line low, this device will read as a 0 in the port input register.

No pullup resistor is shown on the SCL line. In this simple case, the resistor is not needed; the microcontroller can simply leave the line on output, and set it to 1 or 0 as appropriate. It can do this because the ADS1000-Q1 never drives its clock line low. This technique can also be used with multiple devices, and has the advantage of lower current consumption resulting from the absence of a resistive pullup.

If there are any devices on the bus that may drive their clock lines low, the above method should not be used; the SCL line should be high-Z or zero and a pullup resistor provided as usual. Note also that this cannot be done on the SDA line in any case, because the ADS1000-Q1 does drive the SDA line low from time to time, as all I²C devices do.

Some microcontrollers have selectable strong pullup circuits built into the GPIO ports. In some cases, these can be switched on and used in place of an external pullup resistor. Weak pullup resistors are also provided on some microcontrollers, but usually these are too weak for I²C communication. If there is any doubt about the matter, test the circuit before committing it to production.

8.1.1.3 Single-Ended Inputs

Although the ADS1000-Q1 has a fully differential input, it can easily measure single-ended signals. A simple single-ended connection scheme is shown in Figure 14. The ADS1000-Q1 is configured for single-ended measurement by grounding either of its input pins, usually V_{IN-}, and applying the input signal to V_{IN+}. The single-ended signal can range from -0.2 V to V_{DD} + 0.3 V. The ADS1000-Q1 loses no linearity anywhere in its input range. Negative voltages cannot be applied to this circuit because the ADS1000-Q1 inputs can only accept positive voltages.

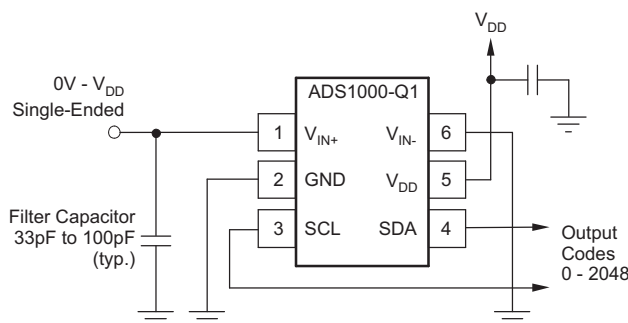


Figure 14. Measuring Single-Ended Inputs

The ADS1000-Q1 input range is bipolar differential with respect to the reference, that is, $\pm V_{DD}$. The single-ended circuit shown in Figure 14 covers only half the ADS1000-Q1 input scale because it does not produce differentially negative inputs; therefore, one bit of resolution is lost. The DRV134 balanced line driver can be employed to regain this bit for single-ended signals.

Negative input voltages must be level-shifted. A good candidate for this function is the THS4130 differential amplifier, which can output fully differential signals. This device can also help recover the lost bit noted previously for single-ended positive signals. Level-shifting can also be performed using the DRV134.

8.2 Typical Applications

8.2.1 ADS1000-Q1 with Current Shunt Monitor

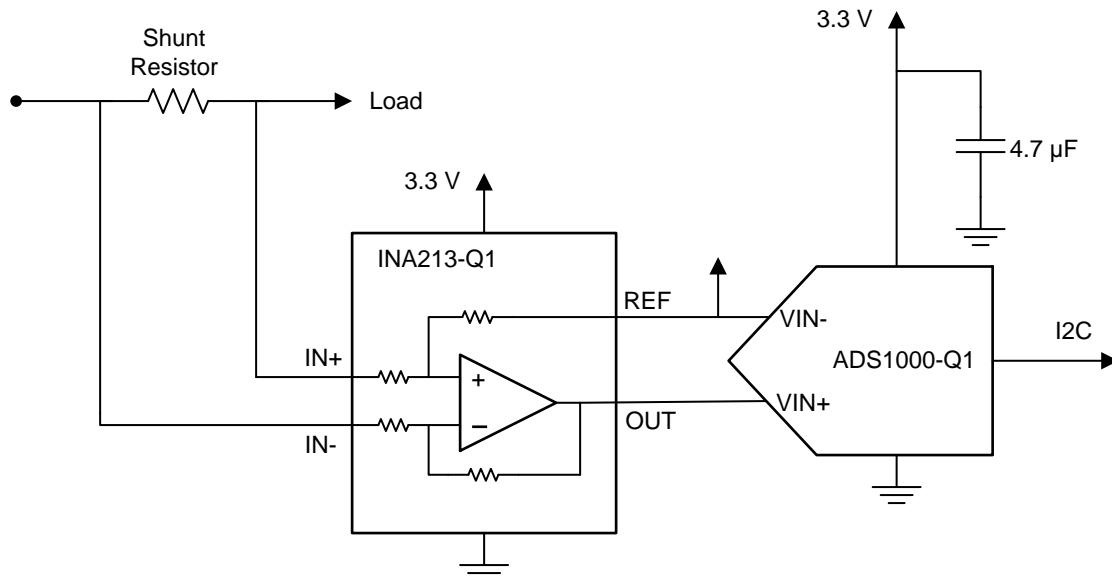


Figure 15. Current Shunt Monitor Application

8.2.1.1 Design Requirements

For this design example, the ADS1000-Q1 is paired with a current shunt monitor. Bidirectional current monitoring is required when there is both charging and discharging. The requirements for this example are:

- Voltage across current shunt varies from -15 mV to 15 mV
- 3.3-V supply
- 1-V rail available as reference

8.2.1.2 Detailed Design Procedure

8.2.1.2.1 Part Selection

The [INA213A-Q1](#) is chosen because of its low offset and zero drift. The ADS1000-Q1 has a low noise floor, so it can support more of the gain. For this reason, the lowest gain option was chosen from the INA21x-Q1 family. The [INA213A-Q1](#) has a gain of 50.

8.2.1.2.1.1 Gain Settings

First, determine what the full-scale differential range will be into the ADS1000-Q1 device.

$$V_{fs} = V_{IN_{diff}} \times G_{INA213} \quad (2)$$

$$V_{fs} = \pm 15\text{ mV} \times 50 \quad (3)$$

$$V_{fs} = \pm 0.75\text{ V} \quad (4)$$

By looking at the recommended full-scale input voltage, it can be determined that a gain of 4 will satisfy the conditions.

$$V_{fs} \leq \pm V_{DD} / \text{PGA} \quad (5)$$

$$V_{fs} \leq \pm 3.3\text{ V} / 4 \quad (6)$$

$$V_{fs} \leq \pm 0.825\text{ V} \quad (7)$$

Typical Applications (continued)

8.2.1.2.1.2 Circuit Implementation

Because the ADS1000-Q1 has a differential input, it is helpful to connect the reference voltage of the [INA213A-Q1](#) to the negative input terminal of the ADS1000-Q1. Because bidirectional current sensing is required in this application, VREF must be chosen so that:

$$V_{REF} > V_{fs} / 2 \tag{8}$$

$$V_{REF} < V_{supply} - V_{fs} / 2$$

where

- $V_{fs} = 1.5\text{ V}$ (9)

A 1-V reference works for this example. Because the ADS1000-Q1 is a differential input ADC, a resistive divider could be used to generate the reference voltage because impedance effects on the [INA213-Q1](#) will be canceled out by the ADS1000-Q1. When using a single-ended ADC with the [INA213A-Q1](#), TI does not recommend using a voltage divider to generate the reference voltage.

8.2.1.3 Application Curve

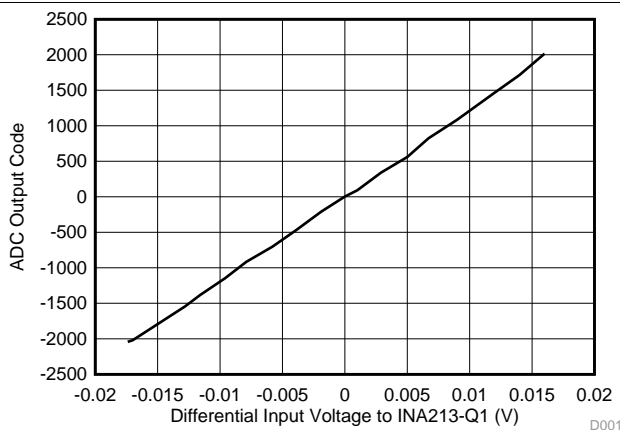


Figure 16. Input Voltage vs ADC Code in Bidirectional Current Sensing Application

Typical Applications (continued)

8.2.2 Low-Side Current Measurement

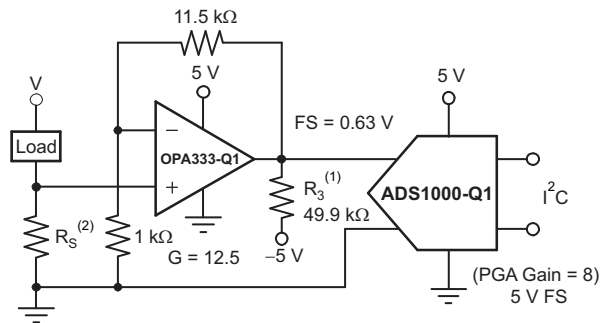


Figure 17. Low-Side Current Measurement Schematic

8.2.2.1 Design Requirements

Figure 17 shows a circuit for a low-side shunt-type current monitor. The circuit reads the voltage across a shunt resistor, which is sized as small as possible while still giving a readable output voltage. This voltage is amplified by an [OPA333-Q1](#) low-drift operational amplifier, and the result is read by the [ADS1000-Q1](#). The maximum voltage across the current shunt is 50mV. This design uses a 5-V power supply.

8.2.2.2 Detailed Design Procedure

TI recommends that the [ADS1000-Q1](#) be operated at a gain of 8. The gain of the [OPA333-Q1](#) can then be set lower. For a gain of 8, the operational amplifier should be configured to give a maximum output voltage of no greater than 0.75 V. If the shunt resistor is sized to provide a maximum voltage drop of 50 mV at full-scale current, the full-scale input to the [ADS1000-Q1](#) is 0.63 V.

9 Power Supply Recommendations

The ADS1000-Q1 is fabricated in a small-geometry low-voltage process. The analog inputs feature protection diodes to the supply rails. However, the current-handling ability of these diodes is limited, and the ADS1000-Q1 can be permanently damaged by analog input voltages that remain more than approximately 300-mV beyond the rails for extended periods. One way to protect against overvoltage is to place current-limiting resistors on the input lines. The ADS1000-Q1 analog inputs can withstand momentary currents of as large as 10 mA.

The previous paragraph does not apply to the I²C ports, which can both be driven to 6 V regardless of the supply.

If the ADS1000-Q1 is driven by an operational amplifier with high voltage supplies, such as ±12 V, protection should be provided, even if the operational amplifier is configured so that it will not output out-of-range voltages. Many operational amplifiers seek to one of the supply rails immediately when power is applied, usually before the input has stabilized; this momentary spike can damage the ADS1000-Q1. Sometimes this damage is incremental and results in slow, long-term failure—which can be disastrous for permanently installed, low-maintenance systems.

If using an operational amplifier or other front-end circuitry with the ADS1000-Q1, be sure to take the performance characteristics of this circuitry into account; a chain is only as strong as its weakest link.

Any data converter is only as good as its reference. For the ADS1000-Q1, the reference is the power supply, and the power supply must be clean enough to achieve the desired performance. If a power-supply filter capacitor is used, it should be placed close to the V_{DD} pin, with no vias placed between the capacitor and the pin. The trace leading to the pin should be as wide as possible, even if it must be necked down at the device.

10 Layout

10.1 Layout Guidelines

An optimum layout for the ADS1000-Q1 helps to reduce noise and improve performance. The decoupling capacitor on VDD should be placed as close to the VDD pin as possible. Also, the analog input pins (VIN+ and VIN-) should be routed carefully to reduce noise.

10.2 Layout Example

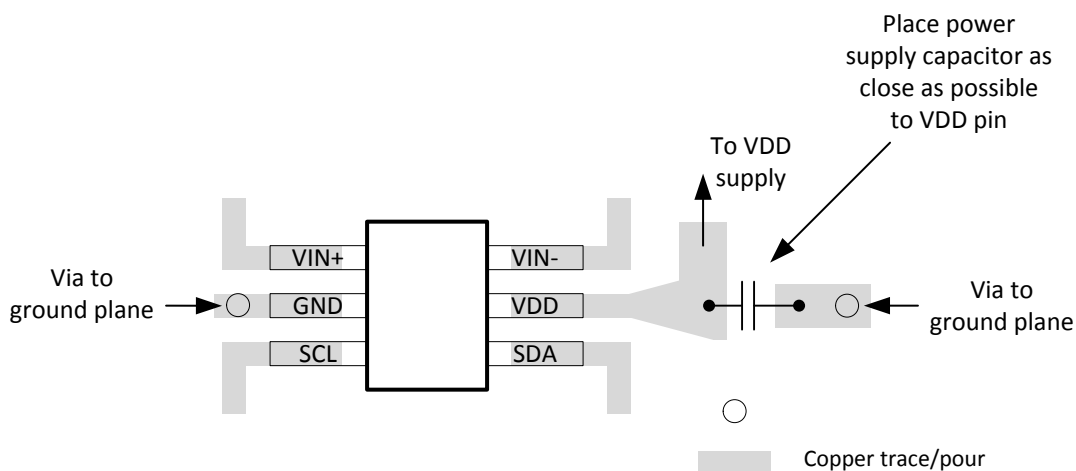


Figure 18. ADS1000-Q1 Layout Recommendation

11 Device and Documentation Support

11.1 Community Resources

The following links connect to TI community resources. Linked contents are provided "AS IS" by the respective contributors. They do not constitute TI specifications and do not necessarily reflect TI's views; see TI's [Terms of Use](#).

TI E2E™ Online Community *TI's Engineer-to-Engineer (E2E) Community*. Created to foster collaboration among engineers. At e2e.ti.com, you can ask questions, share knowledge, explore ideas and help solve problems with fellow engineers.

Design Support *TI's Design Support* Quickly find helpful E2E forums along with design support tools and contact information for technical support.

11.2 Trademarks

E2E is a trademark of Texas Instruments.

I²C is a trademark of NXP Semiconductors, Inc.

All other trademarks are the property of their respective owners.

11.3 Electrostatic Discharge Caution



These devices have limited built-in ESD protection. The leads should be shorted together or the device placed in conductive foam during storage or handling to prevent electrostatic damage to the MOS gates.

11.4 Glossary

[SLYZ022](#) — *TI Glossary*.

This glossary lists and explains terms, acronyms, and definitions.

12 Mechanical, Packaging, and Orderable Information

The following pages include mechanical, packaging, and orderable information. This information is the most current data available for the designated devices. This data is subject to change without notice and revision of this document. For browser-based versions of this data sheet, refer to the left-hand navigation.

PACKAGING INFORMATION

Orderable Device	Status (1)	Package Type	Package Drawing	Pins	Package Qty	Eco Plan (2)	Lead/Ball Finish (6)	MSL Peak Temp (3)	Op Temp (°C)	Device Marking (4/5)	Samples
ADS1000A0QDBVRQ1	ACTIVE	SOT-23	DBV	6	3000	Green (RoHS & no Sb/Br)	CU NIPDAU	Level-1-260C-UNLIM	-40 to 125	BSKQ	Samples
ADS1000A1QDBVRQ1	ACTIVE	SOT-23	DBV	6	3000	Green (RoHS & no Sb/Br)	CU NIPDAU	Level-1-260C-UNLIM	-40 to 125	BTMQ	Samples

(1) The marketing status values are defined as follows:

ACTIVE: Product device recommended for new designs.

LIFEBUY: TI has announced that the device will be discontinued, and a lifetime-buy period is in effect.

NRND: Not recommended for new designs. Device is in production to support existing customers, but TI does not recommend using this part in a new design.

PREVIEW: Device has been announced but is not in production. Samples may or may not be available.

OBSOLETE: TI has discontinued the production of the device.

(2) Eco Plan - The planned eco-friendly classification: Pb-Free (RoHS), Pb-Free (RoHS Exempt), or Green (RoHS & no Sb/Br) - please check <http://www.ti.com/productcontent> for the latest availability information and additional product content details.

TBD: The Pb-Free/Green conversion plan has not been defined.

Pb-Free (RoHS): TI's terms "Lead-Free" or "Pb-Free" mean semiconductor products that are compatible with the current RoHS requirements for all 6 substances, including the requirement that lead not exceed 0.1% by weight in homogeneous materials. Where designed to be soldered at high temperatures, TI Pb-Free products are suitable for use in specified lead-free processes.

Pb-Free (RoHS Exempt): This component has a RoHS exemption for either 1) lead-based flip-chip solder bumps used between the die and package, or 2) lead-based die adhesive used between the die and leadframe. The component is otherwise considered Pb-Free (RoHS compatible) as defined above.

Green (RoHS & no Sb/Br): TI defines "Green" to mean Pb-Free (RoHS compatible), and free of Bromine (Br) and Antimony (Sb) based flame retardants (Br or Sb do not exceed 0.1% by weight in homogeneous material)

(3) MSL, Peak Temp. - The Moisture Sensitivity Level rating according to the JEDEC industry standard classifications, and peak solder temperature.

(4) There may be additional marking, which relates to the logo, the lot trace code information, or the environmental category on the device.

(5) Multiple Device Markings will be inside parentheses. Only one Device Marking contained in parentheses and separated by a "~" will appear on a device. If a line is indented then it is a continuation of the previous line and the two combined represent the entire Device Marking for that device.

(6) Lead/Ball Finish - Orderable Devices may have multiple material finish options. Finish options are separated by a vertical ruled line. Lead/Ball Finish values may wrap to two lines if the finish value exceeds the maximum column width.

Important Information and Disclaimer: The information provided on this page represents TI's knowledge and belief as of the date that it is provided. TI bases its knowledge and belief on information provided by third parties, and makes no representation or warranty as to the accuracy of such information. Efforts are underway to better integrate information from third parties. TI has taken and continues to take reasonable steps to provide representative and accurate information but may not have conducted destructive testing or chemical analysis on incoming materials and chemicals. TI and TI suppliers consider certain information to be proprietary, and thus CAS numbers and other limited information may not be available for release.

In no event shall TI's liability arising out of such information exceed the total purchase price of the TI part(s) at issue in this document sold by TI to Customer on an annual basis.

OTHER QUALIFIED VERSIONS OF ADS1000-Q1 :

- Catalog: [ADS1000](#)

NOTE: Qualified Version Definitions:

- Catalog - TI's standard catalog product

EXAMPLE BOARD LAYOUT

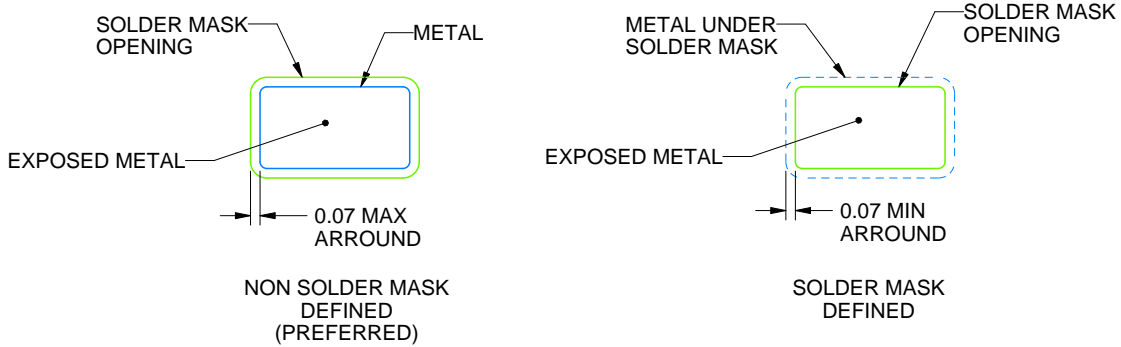
DBV0006A

SOT-23 - 1.45 mm max height

SMALL OUTLINE TRANSISTOR



LAND PATTERN EXAMPLE
EXPOSED METAL SHOWN
SCALE:15X



SOLDER MASK DETAILS

4214840/B 03/2018

NOTES: (continued)

- 6. Publication IPC-7351 may have alternate designs.
- 7. Solder mask tolerances between and around signal pads can vary based on board fabrication site.

EXAMPLE STENCIL DESIGN

DBV0006A

SOT-23 - 1.45 mm max height

SMALL OUTLINE TRANSISTOR



SOLDER PASTE EXAMPLE
BASED ON 0.125 mm THICK STENCIL
SCALE:15X

4214840/B 03/2018

NOTES: (continued)

8. Laser cutting apertures with trapezoidal walls and rounded corners may offer better paste release. IPC-7525 may have alternate design recommendations.
9. Board assembly site may have different recommendations for stencil design.

IMPORTANT NOTICE AND DISCLAIMER

TI PROVIDES TECHNICAL AND RELIABILITY DATA (INCLUDING DATASHEETS), DESIGN RESOURCES (INCLUDING REFERENCE DESIGNS), APPLICATION OR OTHER DESIGN ADVICE, WEB TOOLS, SAFETY INFORMATION, AND OTHER RESOURCES "AS IS" AND WITH ALL FAULTS, AND DISCLAIMS ALL WARRANTIES, EXPRESS AND IMPLIED, INCLUDING WITHOUT LIMITATION ANY IMPLIED WARRANTIES OF MERCHANTABILITY, FITNESS FOR A PARTICULAR PURPOSE OR NON-INFRINGEMENT OF THIRD PARTY INTELLECTUAL PROPERTY RIGHTS.

These resources are intended for skilled developers designing with TI products. You are solely responsible for (1) selecting the appropriate TI products for your application, (2) designing, validating and testing your application, and (3) ensuring your application meets applicable standards, and any other safety, security, or other requirements. These resources are subject to change without notice. TI grants you permission to use these resources only for development of an application that uses the TI products described in the resource. Other reproduction and display of these resources is prohibited. No license is granted to any other TI intellectual property right or to any third party intellectual property right. TI disclaims responsibility for, and you will fully indemnify TI and its representatives against, any claims, damages, costs, losses, and liabilities arising out of your use of these resources.

TI's products are provided subject to TI's Terms of Sale (www.ti.com/legal/termsofsale.html) or other applicable terms available either on ti.com or provided in conjunction with such TI products. TI's provision of these resources does not expand or otherwise alter TI's applicable warranties or warranty disclaimers for TI products.

Mailing Address: Texas Instruments, Post Office Box 655303, Dallas, Texas 75265
Copyright © 2019, Texas Instruments Incorporated

Looking for pricing, stock, or lifecycle information?

Click below to explore more details on WIN SOURCE:

⊖ [View ADS1000A0QDBVRQ1 on WIN SOURCE](#)

⊖ [Texas Instruments](#) Information

Optimize Your Supply Chain with WIN SOURCE Solutions

- ✓ Global Sourcing Solution
- ✓ Obsolete Management
- ✓ Cost Control Management
- ✓ Shortage Management
- ✓ Alternative Solution
- ✓ Excess Inventory Management