



**THE DATASHEET OF  
PI3PCIE3415ZHE**



## PI3PCIE3415

### 3.3V, PCI Express® 3.0, 8.0Gbps, 2-Lane (4-Channel), 2:1 Mux/DeMux Switch

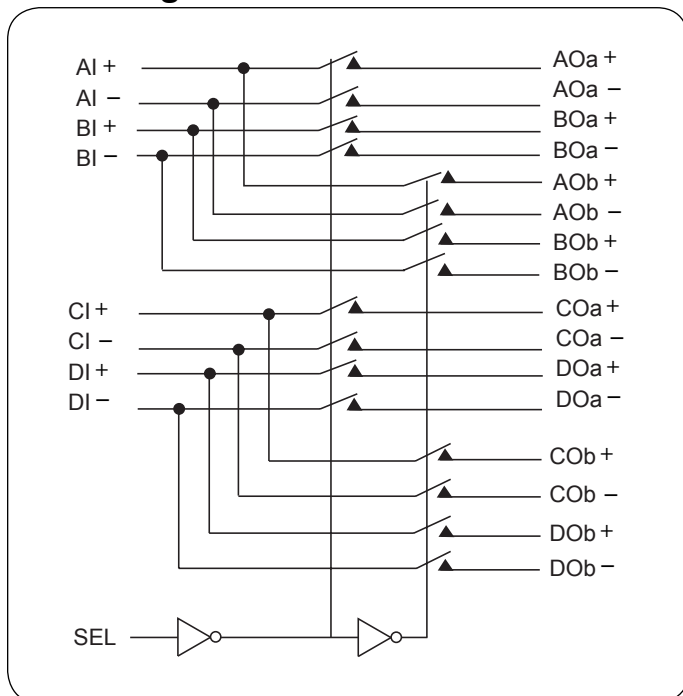
Pericom Semiconductor's PI3PCIE3415 is an 8 to 4 differential channel multiplexer/demultiplexer switch. This solution can switch 2 full PCI Express® 3.0, lanes to one of two locations. Using a unique design technique, Pericom has been able to minimize the impedance of the switch such that the attenuation observed through the switch is negligible. The unique design technique also offers a layout targeted for PCI Express signals, which minimizes the channel to channel skew as well as channel to channel crosstalk as required by the PCI Express specification.

#### Application

Routing of PCI Express® 3.0, signals with low signal attenuation.

- High-end PC/Gaming/Server
- Workstation

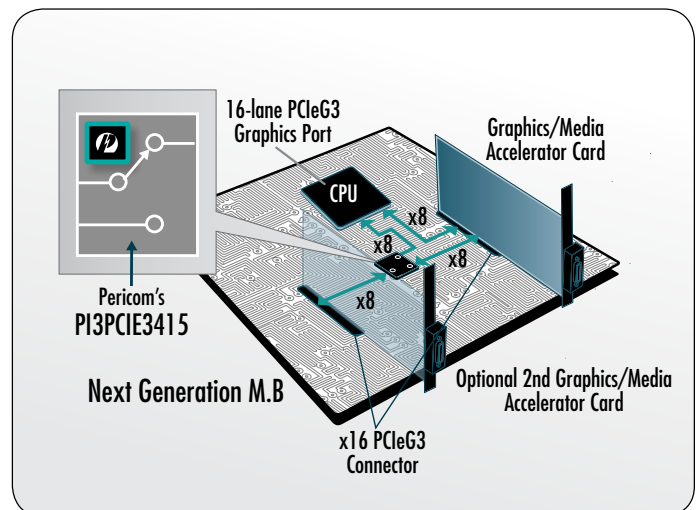
#### Block Diagram



#### Features



- 4 Differential Channel, 2:1 Mux/DeMux
- PCI Express® 3.0 Performance, 8.0Gbps
- Pinout optimized for placement between two PCIe slots
- Bi-directional operation
- Low Bit-to-Bit Skew, 10ps max
- Low channel-to-channel skew, 20ps max
- Low Crosstalk: -50dB @4GHz
- Low Off Isolation: -21dB @4GHz
- Low Insertion Loss: -1.5dB @4GHz
- -3dB Bandwidth: 8.2GHz
- Supply Voltage 3.3V
- Packaging (Pb-free & Green):
  - 42-contact, TQFN (ZH42)

#### Utilization of PI3PCIE3415 in PC Gaming Application



## Looking for pricing, stock, or lifecycle information?

Click below to explore more details on WIN SOURCE:

-  [View PI3PCIE3415ZHE on WIN SOURCE](#)
-  [Diodes Incorporated Information](#)

## Optimize Your Supply Chain with WIN SOURCE Solutions

-  Global Sourcing Solution
-  Obsolete Management
-  Cost Control Management
-  Shortage Management
-  Alternative Solution
-  Excess Inventory Management