



# THE DATASHEET OF ADG749BKSZ-REEL



## FEATURES

**1.8 V to 5.5 V single supply**  
**5  $\Omega$  (maximum) on resistance**  
**0.75  $\Omega$  (typical) on resistance flatness**  
**Automotive temperature range:  $-40^{\circ}\text{C}$  to  $+125^{\circ}\text{C}$**   
 **$-3$  dB bandwidth  $> 200$  MHz**  
**Rail-to-rail operation**  
**6-lead SC70 package**  
**Fast switching times**  
 $t_{\text{ON}} = 12$  ns  
 $t_{\text{OFF}} = 6$  ns  
**Typical power consumption ( $< 0.01$   $\mu\text{W}$ )**  
**TTL/CMOS compatible**

## APPLICATIONS

**Battery-powered systems**  
**Communication systems**  
**Sample-and-hold systems**  
**Audio signal routing**  
**Video switching**  
**Mechanical reed relay replacement**

## GENERAL DESCRIPTION

The ADG749 is a monolithic CMOS SPDT switch. This switch is designed on a submicron process that provides low power dissipation yet gives high switching speed, low on resistance, and low leakage currents.

The ADG749 can operate from a single-supply range of 1.8 V to 5.5 V, making it ideal for use in battery-powered instruments and with the new generation of DACs and ADCs from Analog Devices, Inc.

Each switch of the ADG749 conducts equally well in both directions when on. The ADG749 exhibits break-before-make switching action.

Because of the advanced submicron process,  $-3$  dB bandwidths of greater than 200 MHz can be achieved.

The ADG749 is available in a 6-lead SC70 package.

## FUNCTIONAL BLOCK DIAGRAM

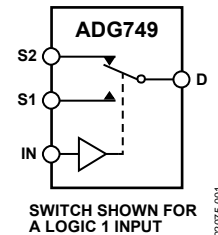


Figure 1.

## PRODUCT HIGHLIGHTS

- 1.8 V to 5.5 V Single-Supply Operation. The ADG749 offers high performance, including low on resistance and fast switching times, and is fully specified and guaranteed with 3 V and 5 V supply rails.
- Very Low  $R_{\text{ON}}$  (5  $\Omega$  Maximum at 5 V and 10  $\Omega$  Maximum at 3 V). At 1.8 V operation,  $R_{\text{ON}}$  is typically 40  $\Omega$  over the temperature range.
- Automotive Temperature Range:  $-40^{\circ}\text{C}$  to  $+125^{\circ}\text{C}$ .
- On Resistance Flatness ( $R_{\text{FLAT(ON)}}$ ) (0.75  $\Omega$  typical).
- $-3$  dB Bandwidth  $> 200$  MHz.
- Low Power Dissipation. CMOS construction ensures low power dissipation.
- Fast  $t_{\text{ON}}/t_{\text{OFF}}$ .
- Tiny, 6-lead SC70 Package.

### Rev. C

Information furnished by Analog Devices is believed to be accurate and reliable. However, no responsibility is assumed by Analog Devices for its use, nor for any infringements of patents or other rights of third parties that may result from its use. Specifications subject to change without notice. No license is granted by implication or otherwise under any patent or patent rights of Analog Devices. Trademarks and registered trademarks are the property of their respective owners.

## TABLE OF CONTENTS

|   |   |   |    |
|---|---|---|----|
| Features .....                                    | 1 | Terminology .....                         | 7  |
| Applications .....                                | 1 | Typical Performance Characteristics ..... | 8  |
| Functional Block Diagram .....                    | 1 | Test Circuits .....                       | 10 |
| General Description .....                         | 1 | Applications Information .....            | 11 |
| Product Highlights .....                          | 1 | ADG749 Supply Voltages .....              | 11 |
| Revision History .....                            | 2 | On Response vs. Frequency .....           | 11 |
| Specifications .....                              | 3 | Off Isolation .....                       | 11 |
| Absolute Maximum Ratings .....                    | 5 | Outline Dimensions .....                  | 12 |
| ESD Caution .....                                 | 5 | Ordering Guide .....                      | 12 |
| Pin Configuration and Function Descriptions ..... | 6 |   |    |

## REVISION HISTORY

### 12/11—Rev. B to Rev. C

|  |   |
|--|---|
| Deleted Endnote 1 from Leakage Currents Parameter, Table 1 . | 3 |
| Deleted Endnote 1 from Leakage Currents Parameter, Table 2 . | 4 |

### 10/09—Rev. A to Rev. B

|  |           |
|--|-----------|
| Updated Format .....                       | Universal |
| Added Pb-Free Information to Table 3 ..... | 5         |
| Added Table 4 .....                        | 6         |
| Updated Outline Dimensions .....           | 12        |
| Changes to Ordering Guide .....            | 12        |

### 7/02—Rev. 0 to Rev. A.

|  |   |
|--|---|
| Changes to Features .....                | 1 |
| Additions to Product Highlights .....    | 1 |
| Changes to Specifications .....          | 2 |
| Edits to Absolute Maximum Ratings .....  | 4 |
| Changes to Terminology .....             | 4 |
| Edits to Ordering Guide .....            | 4 |
| Added new TPCs 4 and 5 .....             | 5 |
| Added TPC 10 .....                       | 6 |
| Test Circuits 6, 7, and 8 replaced ..... | 7 |
| Updated KS-6 Package Drawing .....       | 9 |

### 1/01—Revision 0: Initial Version

## SPECIFICATIONS

$V_{DD} = 5\text{ V} \pm 10\%$  and  $GND = 0\text{ V}$ ;  $T_A = -40^\circ\text{C}$  to  $+125^\circ\text{C}$  unless otherwise stated.

**Table 1.**

| Parameter  | 25°C                     | -40°C to +85°C | -40°C to +125°C | Unit                                   | Test Conditions/Comments  |
|--|--------------------------|----------------|-----------------|--|---|
| <b>ANALOG SWITCH</b>                                     |                          |                |                 |  |   |
| Analog Signal Range                                      |                          |                | 0 V to $V_{DD}$ | V                                      |   |
| On Resistance ( $R_{ON}$ )                               | 2.5<br>5                 | 6              | 7               | $\Omega$ typ<br>$\Omega$ max           | $V_S = 0\text{ V}$ to $V_{DD}$ , $I_S = -10\text{ mA}$ ;<br>see Figure 13   |
| On Resistance Match Between Channels ( $\Delta R_{ON}$ ) |                          | 0.1<br>0.8     | 0.8             | $\Omega$ typ<br>$\Omega$ max           | $V_S = 0\text{ V}$ to $V_{DD}$ , $I_S = -10\text{ mA}$  |
| On Resistance Flatness ( $R_{FLAT(ON)}$ )                | 0.75                     | 1.2            | 1.5             | $\Omega$ typ<br>$\Omega$ max           | $V_S = 0\text{ V}$ to $V_{DD}$ , $I_S = -10\text{ mA}$  |
| <b>LEAKAGE CURRENTS</b>                                  |                          |                |                 |  |   |
| Source Off Leakage $I_S$ (Off)                           | $\pm 0.01$<br>$\pm 0.25$ | $\pm 0.35$     | 1               | nA typ<br>nA max                       | $V_{DD} = 5.5\text{ V}$<br>$V_S = 4.5\text{ V}/1\text{ V}$ , $V_D = 1\text{ V}/4.5\text{ V}$ ;<br>see Figure 14                                 |
| Channel On Leakage $I_D$ , $I_S$ (On)                    | $\pm 0.01$<br>$\pm 0.25$ | $\pm 0.35$     | 5               | nA typ<br>nA max                       | $V_S = V_D = 1\text{ V}$ or $V_S = V_D = 4.5\text{ V}$ ;<br>see Figure 15   |
| <b>DIGITAL INPUTS</b>                                    |                          |                |                 |  |   |
| Input High Voltage, $V_{INH}$                            |                          |                | 2.4             | V min                                  |   |
| Input Low Voltage, $V_{INL}$                             |                          |                | 0.8             | V max                                  |   |
| Input Current<br>$I_{INL}$ or $I_{INH}$                  | 0.005                    |                | $\pm 0.1$       | $\mu\text{A}$ typ<br>$\mu\text{A}$ max | $V_{IN} = V_{INL}$ or $V_{INH}$   |
| <b>DYNAMIC CHARACTERISTICS<sup>1</sup></b>               |                          |                |                 |  |   |
| $t_{ON}$   | 7                        |                | 12              | ns typ<br>ns max                       | $R_L = 300\ \Omega$ , $C_L = 35\text{ pF}$<br>$V_S = 3\text{ V}$ ; see Figure 16  |
| $t_{OFF}$  | 3                        |                | 6               | ns typ<br>ns max                       | $R_L = 300\ \Omega$ , $C_L = 35\text{ pF}$<br>$V_S = 3\text{ V}$ ; see Figure 16  |
| Break-Before-Make Time Delay, $t_D$                      | 8                        |                | 1               | ns typ<br>ns min                       | $R_L = 300\ \Omega$ , $C_L = 35\text{ pF}$ ,<br>$V_{S1} = V_{S2} = 3\text{ V}$ ; see Figure 17  |
| Off Isolation  | -67<br>-87               |                |                 | dB typ<br>dB typ                       | $R_L = 50\ \Omega$ , $C_L = 5\text{ pF}$ , $f = 10\text{ MHz}$<br>$R_L = 50\ \Omega$ , $C_L = 5\text{ pF}$ , $f = 1\text{ MHz}$ ; see Figure 18 |
| Channel-to-Channel Crosstalk                             | -62<br>-82               |                |                 | dB typ<br>dB typ                       | $R_L = 50\ \Omega$ , $C_L = 5\text{ pF}$ , $f = 10\text{ MHz}$<br>$R_L = 50\ \Omega$ , $C_L = 5\text{ pF}$ , $f = 1\text{ MHz}$ ; see Figure 19 |
| Bandwidth -3 dB  | 200                      |                |                 | MHz typ                                | $R_L = 50\ \Omega$ , $C_L = 5\text{ pF}$ ; see Figure 20  |
| $C_S$ (Off)  | 7                        |                |                 | pF typ                                 |   |
| $C_D$ , $C_S$ (On)                                       | 27                       |                |                 | pF typ                                 |   |
| <b>POWER REQUIREMENTS</b>                                |                          |                |                 |  |   |
| $I_{DD}$   | 0.001                    |                | 1.0             | $\mu\text{A}$ typ<br>$\mu\text{A}$ max | $V_{DD} = 5.5\text{ V}$<br>Digital inputs = 0 V or 5.5 V  |

<sup>1</sup> Guaranteed by design, not subject to production test.

$V_{DD} = 3\text{ V} \pm 10\%$  and  $GND = 0\text{ V}$ ;  $T_A = -40^\circ\text{C}$  to  $+125^\circ\text{C}$  unless otherwise stated

**Table 2.**

| Parameter  | 25°C                     | -40°C to +85°C | -40°C to +125°C | Unit                                   | Test Conditions/Comments  |
|--|--------------------------|----------------|-----------------|--|---|
| <b>ANALOG SWITCH</b>                                     |                          |                |                 |  |   |
| Analog Signal Range                                      |                          |                | 0 V to $V_{DD}$ | V                                      |   |
| On Resistance ( $R_{ON}$ )                               | 6                        | 7<br>10        | 12              | $\Omega$ typ<br>$\Omega$ max           | $V_S = 0\text{ V}$ to $V_{DD}$ , $I_S = -10\text{ mA}$ ;<br>see Figure 13   |
| On Resistance Match Between Channels ( $\Delta R_{ON}$ ) |                          | 0.1<br>0.8     | 0.8             | $\Omega$ typ<br>$\Omega$ max           | $V_S = 0\text{ V}$ to $V_{DD}$ , $I_S = -10\text{ mA}$  |
| On Resistance Flatness ( $R_{FLAT(ON)}$ )                |                          | 2.5            |                 | $\Omega$ typ                           | $V_S = 0\text{ V}$ to $V_{DD}$ , $I_S = -10\text{ mA}$  |
| <b>LEAKAGE CURRENTS</b>                                  |                          |                |                 |  |   |
| Source Off Leakage $I_S$ (Off)                           | $\pm 0.01$<br>$\pm 0.25$ | $\pm 0.35$     | 1               | nA typ<br>nA max                       | $V_{DD} = 3.3\text{ V}$<br>$V_S = 3\text{ V}/1\text{ V}$ , $V_D = 1\text{ V}/3\text{ V}$ ;<br>see Figure 14   |
| Channel On Leakage $I_D$ , $I_S$ (On)                    | $\pm 0.01$<br>$\pm 0.25$ | $\pm 0.35$     | 5               | nA typ<br>nA max                       | $V_S = V_D = 1\text{ V}$ or $V_S = V_D = 3\text{ V}$ ;<br>see Figure 15   |
| <b>DIGITAL INPUTS</b>                                    |                          |                |                 |  |   |
| Input High Voltage, $V_{INH}$                            |                          | 2.0            |                 | V min                                  |   |
| Input Low Voltage, $V_{INL}$                             |                          | 0.8            |                 | V max                                  |   |
| Input Current<br>$I_{INL}$ or $I_{INH}$                  | 0.005                    |                | $\pm 0.1$       | $\mu\text{A}$ typ<br>$\mu\text{A}$ max | $V_{IN} = V_{INL}$ or $V_{INH}$   |
| <b>DYNAMIC CHARACTERISTICS<sup>1</sup></b>               |                          |                |                 |  |   |
| $t_{ON}$   | 10                       |                | 15              | ns typ<br>ns max                       | $R_L = 300\ \Omega$ , $C_L = 35\text{ pF}$<br>$V_S = 2\text{ V}$ ; see Figure 16  |
| $t_{OFF}$  | 4                        |                | 8               | ns typ<br>ns max                       | $R_L = 300\ \Omega$ , $C_L = 35\text{ pF}$<br>$V_S = 2\text{ V}$ ; see Figure 16  |
| Break-Before-Make Time Delay,<br>$t_D$                   | 8                        |                | 1               | ns typ                                 | $R_L = 300\ \Omega$ , $C_L = 35\text{ pF}$  |
| Off Isolation  | -67<br>-87               |                |                 | ns min<br>dB typ<br>dB typ             | $V_{S1} = V_{S2} = 2\text{ V}$ ; see Figure 17<br>$R_L = 50\ \Omega$ , $C_L = 5\text{ pF}$ , $f = 10\text{ MHz}$<br>$R_L = 50\ \Omega$ , $C_L = 5\text{ pF}$ , $f = 1\text{ MHz}$ ; see Figure 18 |
| Channel-to-Channel Crosstalk                             | -62<br>-82               |                |                 | dB typ<br>dB typ                       | $R_L = 50\ \Omega$ , $C_L = 5\text{ pF}$ , $f = 10\text{ MHz}$<br>$R_L = 50\ \Omega$ , $C_L = 5\text{ pF}$ , $f = 1\text{ MHz}$ ; see Figure 19   |
| Bandwidth -3 dB  | 200                      |                |                 | MHz typ                                | $R_L = 50\ \Omega$ , $C_L = 5\text{ pF}$ ; see Figure 20  |
| $C_S$ (Off)  | 7                        |                |                 | pF typ                                 |   |
| $C_D$ , $C_S$ (On)                                       | 27                       |                |                 | pF typ                                 |   |
| <b>POWER REQUIREMENTS</b>                                |                          |                |                 |  |   |
| $I_{DD}$   | 0.001                    |                | 1.0             | $\mu\text{A}$ typ<br>$\mu\text{A}$ max | $V_{DD} = 3.3\text{ V}$<br>Digital inputs = 0 V or 3.3 V  |

<sup>1</sup> Guaranteed by design, not subject to production test.

## ABSOLUTE MAXIMUM RATINGS

T<sub>A</sub> = 25°C unless otherwise noted.

Table 3.

| Parameter                          | Ratings  |
|------------------------------------|--|
| V <sub>DD</sub> to GND             | −0.3 V to +7 V   |
| Analog, Digital Input <sup>1</sup> | −0.3 V to V <sub>DD</sub> + 0.3 V or 30 mA, whichever occurs first |
| Peak Current, S or D               | 100 mA (pulsed at 1 ms, 10% duty cycle max)                        |
| Continuous Current, S or D         | 30 mA  |
| Operating Temperature Range        |  |
| Industrial (B Version)             | −40°C to +125°C  |
| Storage Temperature Range          | −65°C to +150°C  |
| Junction Temperature               | 150°C  |
| SC70 Package, Power Dissipation    | 315 mW   |
| θ <sub>JA</sub> Thermal Impedance  | 332°C/W  |
| θ <sub>JC</sub> Thermal Impedance  | 120°C/W  |
| Lead Temperature, Soldering        |  |
| Vapor Phase (60 sec)               | 215°C  |
| Infrared (15 sec)                  | 220°C  |
| Pb-free Reflow Soldering           |  |
| Peak Temperature                   | 260(+0/−5)°C   |
| Time at Peak Temperature           | 10 sec to 40 sec   |

<sup>1</sup> Overvoltage at IN, S or D will be clamped by internal diodes. Current should be limited to the maximum ratings given.

Stresses above those listed under Absolute Maximum Ratings may cause permanent damage to the device. This is a stress rating only; functional operation of the device at these or any other conditions above those indicated in the operational section of this specification is not implied. Exposure to absolute maximum rating conditions for extended periods may affect device reliability.

Only one absolute maximum rating can be applied at any one time.

### ESD CAUTION



**ESD (electrostatic discharge) sensitive device.** Charged devices and circuit boards can discharge without detection. Although this product features patented or proprietary protection circuitry, damage may occur on devices subjected to high energy ESD. Therefore, proper ESD precautions should be taken to avoid performance degradation or loss of functionality.

## PIN CONFIGURATION AND FUNCTION DESCRIPTIONS

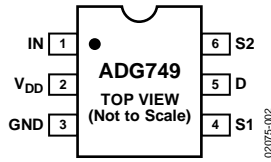


Figure 2. Pin Configuration

Table 4. Pin Function Descriptions

| Pin Number | Mnemonic        | Description   |
|------------|-----------------|---|
| 1          | IN              | Digital control input pin.  |
| 2          | V <sub>DD</sub> | Most positive power supply pin.                                     |
| 3          | GND             | Ground (0 V) reference pin.   |
| 4          | S1              | Source terminal of the multiplexer. Can be used as input or output. |
| 5          | D               | Drain terminal of the multiplexer. Can be used as input or output.  |
| 6          | S2              | Source terminal of the multiplexer. Can be used as input or output. |

Table 5. Truth Table

| ADG749 IN | Switch S1 | Switch S2 |
|-----------|-----------|-----------|
| 0         | ON        | OFF       |
| 1         | OFF       | ON        |

## TERMINOLOGY

**R<sub>ON</sub>**

Ohmic resistance between D and S.

**ΔR<sub>ON</sub>**

On resistance match between any two channels, such as: R<sub>ON</sub> max – R<sub>ON</sub> min.

**R<sub>FLAT(ON)</sub>**

Flatness is defined as the difference between the maximum and minimum value of on resistance as measured over the specified analog signal range.

**I<sub>S</sub> (Off)**

Source leakage current with the switch off.

**I<sub>D</sub>, I<sub>S</sub> (On)**

Channel leakage current with the switch on.

**V<sub>D</sub> (V<sub>S</sub>)**

Analog voltage on Terminals D and S.

**C<sub>S</sub> (Off)**

Off switch source capacitance.

**C<sub>D</sub>, C<sub>S</sub> (On)**

On switch capacitance.

**Insertion Loss**

Loss due to on resistance of the switch.

**t<sub>ON</sub>**

Delay between applying the digital control input and the output switching on.

**t<sub>OFF</sub>**

Delay between applying the digital control input and the output switching off.

**t<sub>D</sub>**

Off time or on time measured between the 90% points of both switches, when switching from one address state to another.

**Crosstalk**

A measure of unwanted signal that is coupled through from one channel to another as a result of parasitic capacitance.

**Off Isolation**

A measure of unwanted signal coupling through an off switch.

**Bandwidth**

The frequency at which the output is attenuated by –3 dBs.

**On Response**

The frequency response of the on switch.

TYPICAL PERFORMANCE CHARACTERISTICS

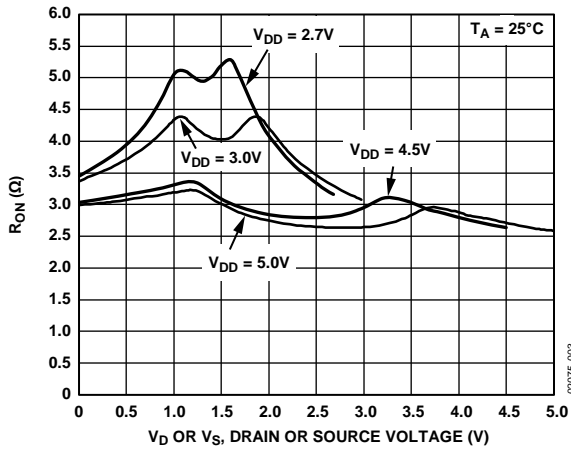


Figure 3. On Resistance vs.  $V_D$  ( $V_S$ ) Single Supplies

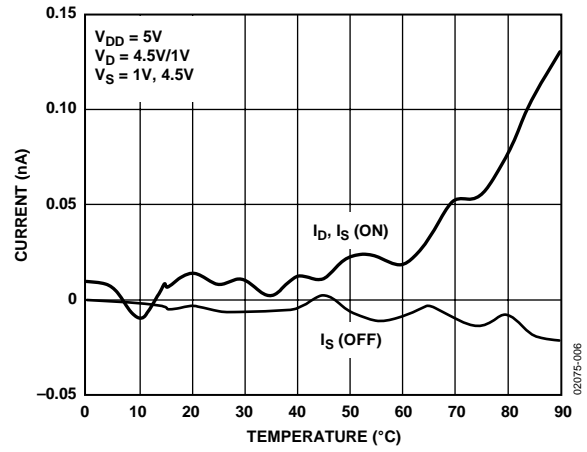


Figure 6. Leakage Currents vs. Temperature

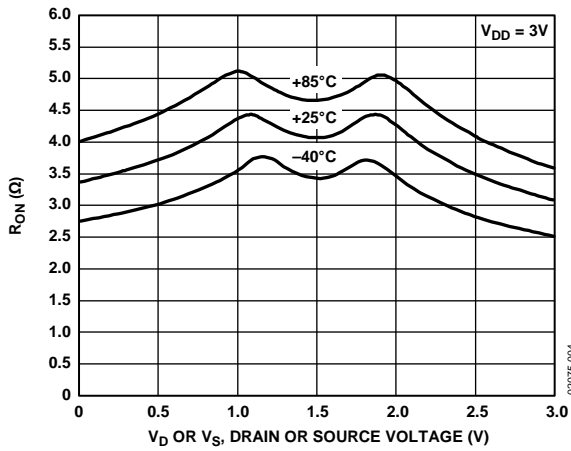


Figure 4. On Resistance vs.  $V_D$  ( $V_S$ ) for Different Temperature,  $V_{DD} = 3V$

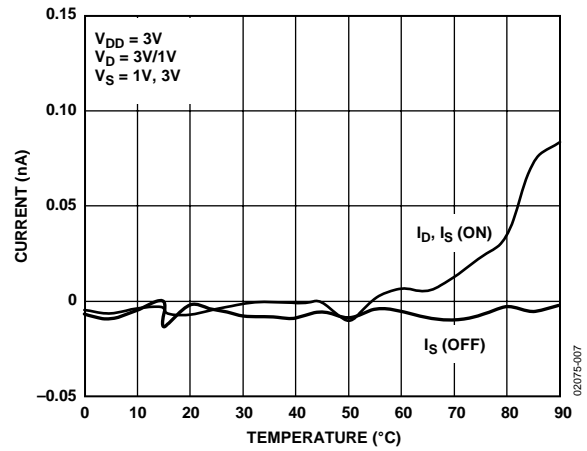


Figure 7. Leakage Currents vs. Temperature

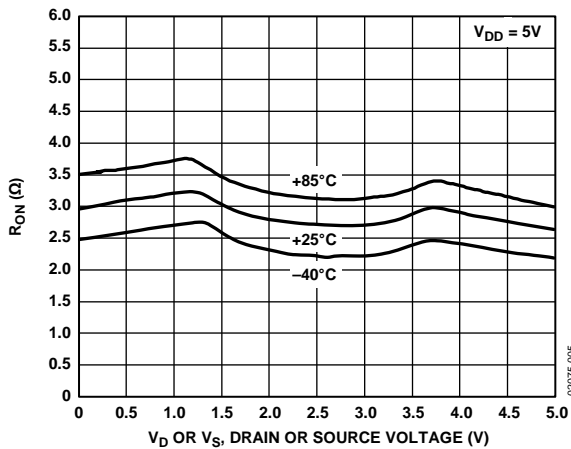


Figure 5. On Resistance vs.  $V_D$  ( $V_S$ ) for Different Temperatures,  $V_{DD} = 5V$

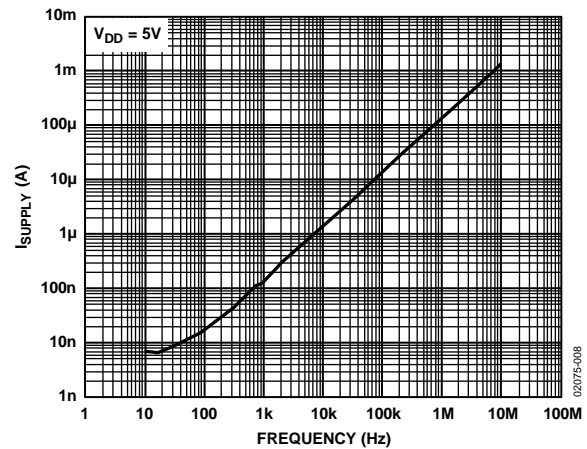


Figure 8. Supply Current vs. Input Switching Frequency

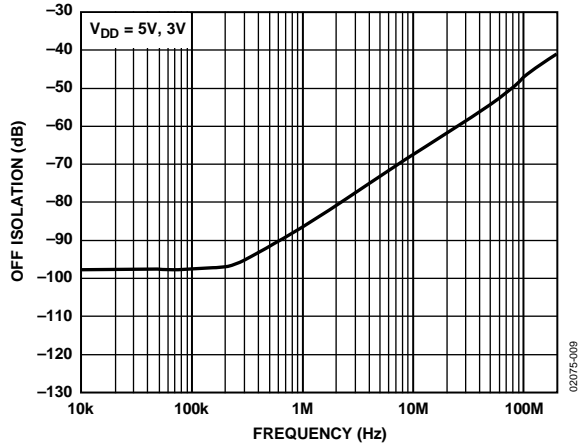


Figure 9. Off Isolation vs. Frequency

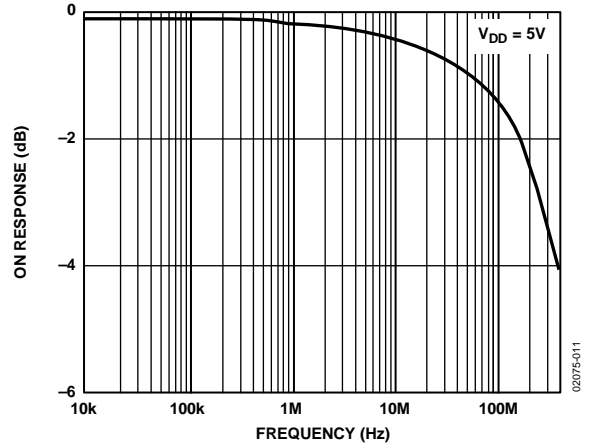


Figure 11. On Response vs. Frequency

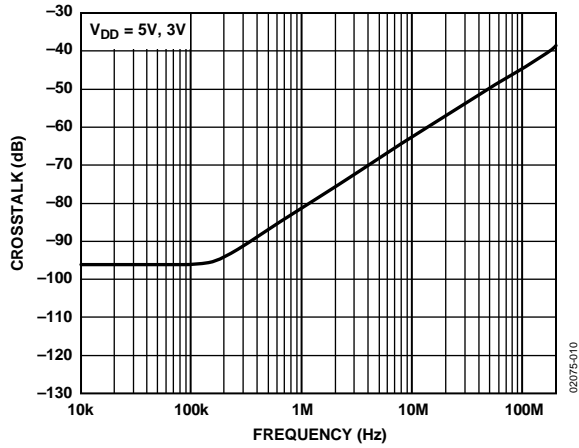


Figure 10. Crosstalk vs. Frequency

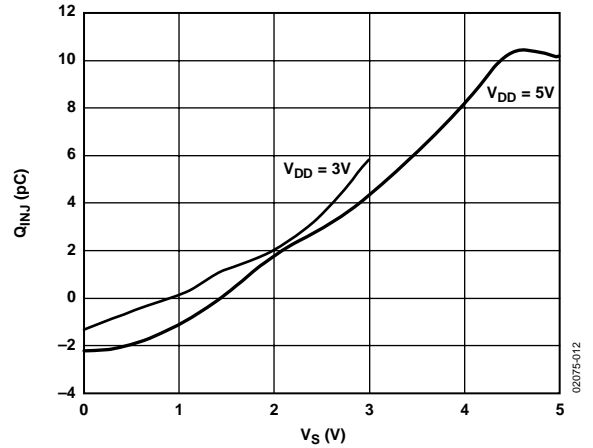


Figure 12. Charge Injection vs. Source Voltage

TEST CIRCUITS

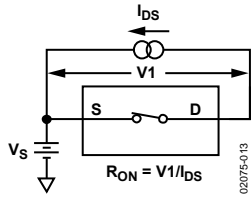


Figure 13. On Resistance

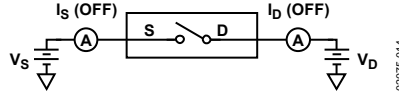


Figure 14. Off Leakage

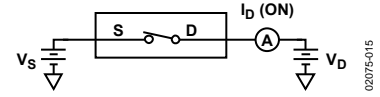


Figure 15. On Leakage

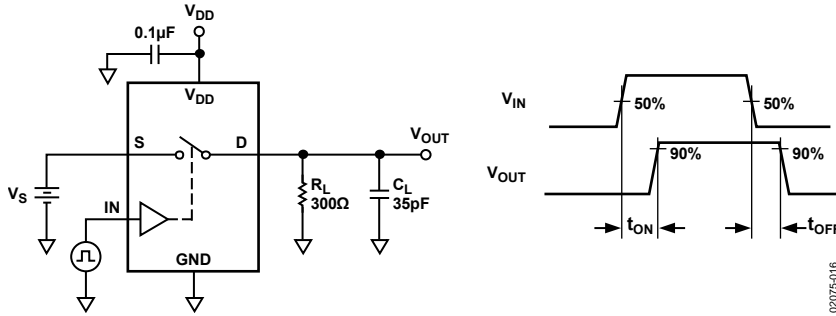


Figure 16. Switching Times

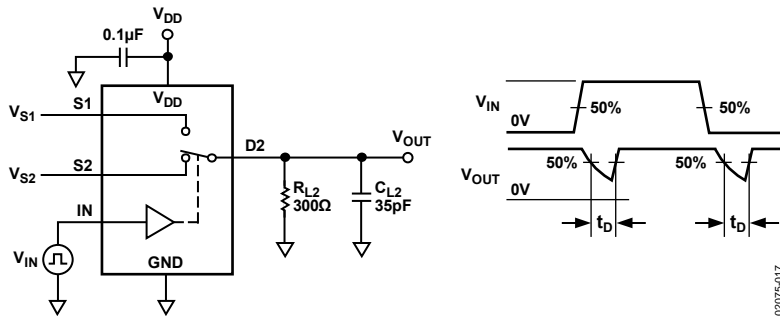


Figure 17. Break-Before-Make Time Delay,  $t_D$

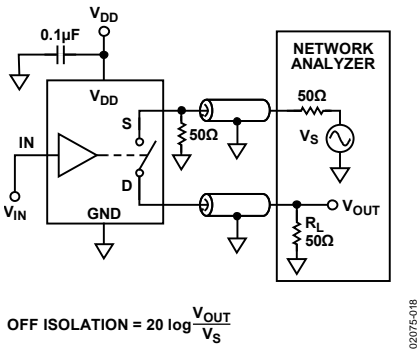


Figure 18. Off Isolation

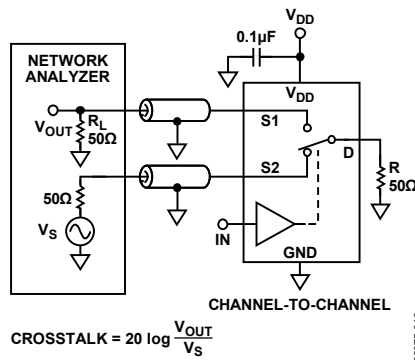


Figure 19. Channel-to-Channel Crosstalk

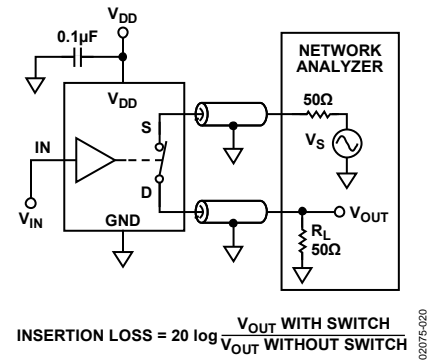


Figure 20. Bandwidth

## APPLICATIONS INFORMATION

The ADG749 belongs to Analog Devices' new family of CMOS switches. This series of general-purpose switches has improved switching times, offering lower on resistance, higher bandwidths, low power consumption, and low leakage currents.

### ADG749 SUPPLY VOLTAGES

Functionality of the ADG749 extends from 1.8 V to 5.5 V single supply, which makes it ideal for battery-powered instruments, where power efficiency and performance are important design parameters.

It is important to note that the supply voltage affects the input signal range, the on resistance, and the switching times of the part. By taking a look at the typical performance characteristics and the specifications, the effects of the power supplies can be clearly seen.

For  $V_{DD} = 1.8$  V operation,  $R_{ON}$  is typically 40  $\Omega$  over the temperature range.

### ON RESPONSE VS. FREQUENCY

Figure 21 illustrates the parasitic components that affect the ac performance of CMOS switches (the switch is shown surrounded by a box). Additional external capacitances will further degrade some performance. These capacitances affect feedthrough, crosstalk, and system bandwidth.

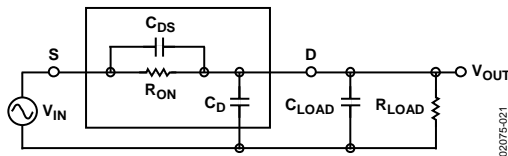


Figure 21. Switch Represented by Equivalent Parasitic Components

The transfer function that describes the equivalent diagram of the switch (Figure 21) is of the form  $A(s)$  shown below.

$$A(s) = R_T \left[ \frac{s(R_{ON} C_{DS}) + 1}{s(R_T R_{ON} C_{DS}) + 1} \right]$$

where:

$$R_T = R_{LOAD} / (R_{LOAD} + R_{ON})$$

$$C_T = C_{LOAD} + C_D + C_{DS}$$

The signal transfer characteristic is dependent on the switch channel capacitance,  $C_{DS}$ . This capacitance creates a frequency

zero in the numerator of the transfer function  $A(s)$ . Because the switch on resistance is small, this zero usually occurs at high frequencies. The bandwidth is a function of the switch output capacitance combined with  $C_{DS}$  and the load capacitance. The frequency pole corresponding to these capacitances appears in the denominator of  $A(s)$ .

The dominant effect of the output capacitance,  $C_D$ , causes the pole breakpoint frequency to occur first. Therefore, in order to maximize bandwidth, a switch must have a low input and output capacitance and low on resistance. The on response vs. frequency plot for the ADG749 is shown in Figure 11.

### OFF ISOLATION

Off isolation is a measure of the input signal coupled through an off switch to the switch output. The capacitance,  $C_{DS}$ , couples the input signal to the output load when the switch is off, as shown in Figure 22.

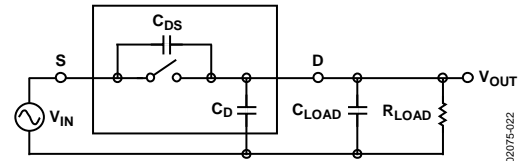


Figure 22. Off Isolation is Affected by External Load Resistance and Capacitance

The larger the value of  $C_{DS}$ , the larger the values of feedthrough that will be produced. The typical performance characteristic graph of Figure 9 illustrates the drop in off isolation as a function of frequency. From dc to roughly 200 kHz, the switch shows better than -95 dB isolation. Up to frequencies of 10 MHz, the off isolation remains better than -67 dB. As the frequency increases, more and more of the input signal is coupled through to the output. Off isolation can be maximized by choosing a switch with the smallest  $C_{DS}$  possible. The values of load resistance and capacitance also affect off isolation, since they contribute to the coefficients of the poles and zeros in the transfer function of the switch when open.

$$A(s) = \left[ \frac{s(R_{LOAD} C_{DS})}{s(R_{LOAD})(C_{LOAD} + C_D + C_{DS}) + 1} \right]$$

OUTLINE DIMENSIONS

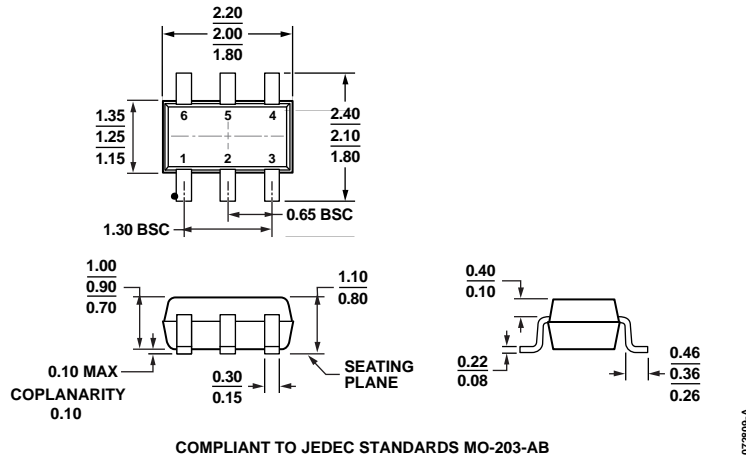


Figure 23. 6-Lead Thin Shrink Small Outline Transistor Package [SC70] (KS-6)  
 Dimensions shown in millimeters

ORDERING GUIDE

| Model <sup>1</sup> | Temperature range | Package Description  | Package Option | Branding <sup>2</sup> |
|--------------------|-------------------|--|----------------|-----------------------|
| ADG749BKSZ-R2      | -40°C to +125°C   | 6-Lead Thin Shrink Small Outline Transistor Package [SC70] | KS-6           | S1M                   |
| ADG749BKSZ-REEL    | -40°C to +125°C   | 6-Lead Thin Shrink Small Outline Transistor Package [SC70] | KS-6           | S1M                   |
| ADG749BKSZ-REEL7   | -40°C to +125°C   | 6-Lead Thin Shrink Small Outline Transistor Package [SC70] | KS-6           | S1M                   |

<sup>1</sup> Z= RoHS Compliant Part.

<sup>2</sup> Branding on this package is limited to three characters due to space constraints.

## Looking for pricing, stock, or lifecycle information?

Click below to explore more details on WIN SOURCE:

- ⊖ [View ADG749BKSZ-REEL on WIN SOURCE](#)
- ⊖ [Analog Devices Inc. Information](#)

## Optimize Your Supply Chain with WIN SOURCE Solutions

- ✓ Global Sourcing Solution
- ✓ Obsolete Management
- ✓ Cost Control Management
- ✓ Shortage Management
- ✓ Alternative Solution
- ✓ Excess Inventory Management