



ELECTRONICS, INC.
 44 FARRAND STREET
 BLOOMFIELD, NJ 07003
 (973) 748-5089
<http://www.nteinc.com>

1N4728A thru 1N4764A Zener Diode, 1 Watt ±5% Tolerance

Features:

- Zener Voltage 3.3V to 100V

Absolute Maximum Ratings: ($T_A = +25^\circ\text{C}$, unless otherwise specified)

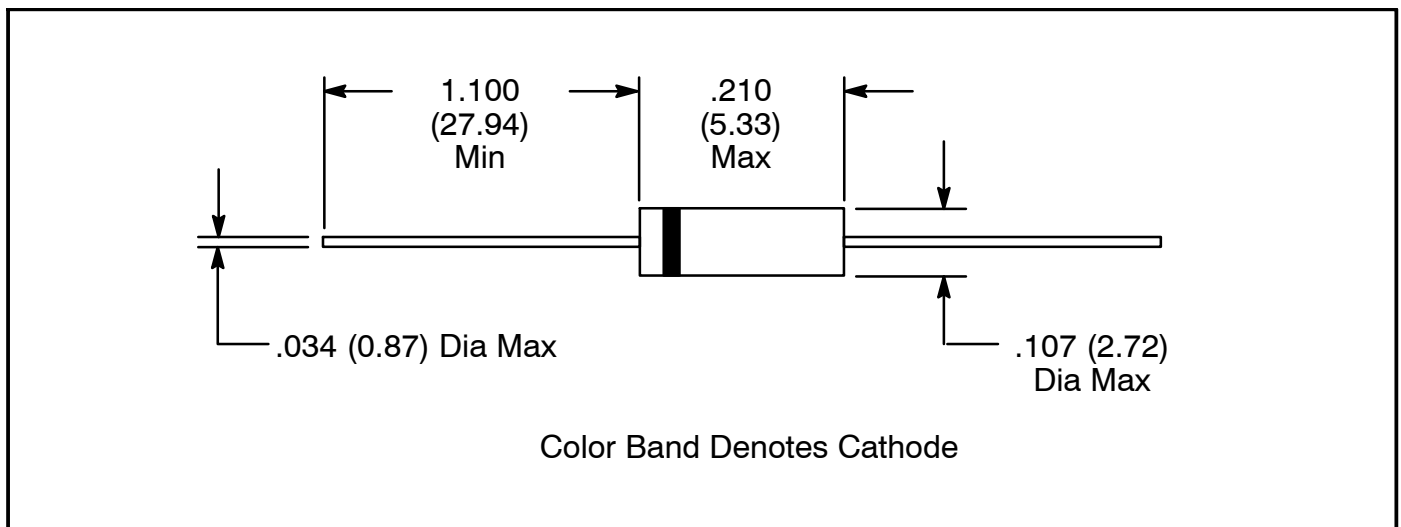
Power Dissipation ($T_L \leq +50^\circ\text{C}$, Lead Length = 3/8"), P_D 1.0W
 Derate Above +50 6.67mW/ $^\circ\text{C}$
 Operating Temperature Range, T_{opr} -65° to $+200^\circ\text{C}$
 Storage Temperature Range, T_{stg} -65° to $+200^\circ\text{C}$

Electrical Characteristics: ($T_A = +25^\circ\text{C}$, unless otherwise specified)

| Device Number | Nominal Zener Voltage $V_z @ I_{zt}$ | Zener Test Current (I_{zt}) | Maximum Dynamic Impedance | | | Maximum Leakage Current $I_R @ V_R$ | |
|---------------|--------------------------------------|---------------------------------|---------------------------|-------------------|------|-------------------------------------|-------|
| | | | $Z_{zt} @ I_{zt}$ | $Z_{zk} @ I_{zk}$ | | μA | Volts |
| | Volts | mA | Ω | Ω | mA | μA | Volts |
| 1N4728A | 3.3 | 76.0 | 10 | 400 | 1.0 | 100 | 1.0 |
| 1N4729A | 3.6 | 69.0 | 10 | 400 | 1.0 | 100 | 1.0 |
| 1N4730A | 3.9 | 64.0 | 9 | 400 | 1.0 | 50 | 1.0 |
| 1N4731A | 4.3 | 58.0 | 9 | 400 | 1.0 | 10 | 1.0 |
| 1N4732A | 4.7 | 53.0 | 8 | 500 | 1.0 | 10 | 1.0 |
| 1N4733A | 5.1 | 49.0 | 7 | 550 | 1.0 | 10 | 1.0 |
| 1N4734A | 5.6 | 45.0 | 5 | 600 | 1.0 | 10 | 2.0 |
| 1N4735A | 6.2 | 41.0 | 2 | 700 | 1.0 | 10 | 3.0 |
| 1N4736A | 6.8 | 37.0 | 3.5 | 700 | 1.0 | 10 | 4.0 |
| 1N4737A | 7.5 | 34.0 | 4.0 | 700 | 0.5 | 10 | 5.0 |
| 1N4738A | 8.2 | 31.0 | 4.5 | 700 | 0.5 | 10 | 6.0 |
| 1N4739A | 9.1 | 28.0 | 5.0 | 700 | 0.5 | 10 | 7.0 |
| 1N4740A | 10.0 | 25.0 | 7.0 | 700 | 0.25 | 10 | 7.6 |
| 1N4741A | 11.0 | 23.0 | 8.0 | 700 | 0.25 | 5 | 8.4 |
| 1N4742A | 12.0 | 21.0 | 9.0 | 700 | 0.25 | 5 | 9.1 |

Electrical Characteristics (Cont'd): ($T_A = +25^\circ\text{C}$, unless otherwise specified)


| Device Number | Nominal Zener Voltage $V_z @ I_{zt}$ | Zener Test Current (I_{zt}) | Maximum Dynamic Impedance | | | Maximum Leakage Current $I_R @ V_R$ | |
|---------------|---|------------------------------------|---------------------------|-------------------|------|--|-------|
| | | | $Z_{zt} @ I_{zt}$ | $Z_{zk} @ I_{zk}$ | | μA | Volts |
| | Volts | mA | Ω | Ω | mA | μA | Volts |
| 1N4743A | 13 | 19.0 | 10 | 700 | 0.25 | 5 | 9.9 |
| 1N4744A | 15 | 17.0 | 14 | 700 | 0.25 | 5 | 11.4 |
| 1N4745A | 16 | 15.5 | 16 | 700 | 0.25 | 5 | 12.2 |
| 1N4746A | 18 | 14.0 | 20 | 750 | 0.25 | 5 | 13.7 |
| 1N4747A | 20 | 12.5 | 22 | 750 | 0.25 | 5 | 15.2 |
| 1N4748A | 22 | 11.5 | 23 | 750 | 0.25 | 5 | 16.7 |
| 1N4749A | 24 | 10.5 | 25 | 750 | 0.25 | 5 | 18.2 |
| 1N4750A | 27 | 9.5 | 35 | 750 | 0.25 | 5 | 20.6 |
| 1N4751A | 30 | 8.5 | 40 | 1000 | 0.25 | 5 | 22.8 |
| 1N4752A | 33 | 7.5 | 45 | 1000 | 0.25 | 5 | 25.1 |
| 1N4753A | 36 | 7.0 | 50 | 1000 | 0.25 | 5 | 27.4 |
| 1N4754A | 39 | 6.5 | 60 | 1000 | 0.25 | 5 | 29.7 |
| 1N4755A | 43 | 6.0 | 70 | 1500 | 0.25 | 5 | 32.7 |
| 1N4756A | 47 | 5.5 | 80 | 1500 | 0.25 | 5 | 35.8 |
| 1N4757A | 51 | 5.0 | 95 | 1500 | 0.25 | 5 | 38.8 |
| 1N4758A | 56 | 4.5 | 110 | 2000 | 0.25 | 5 | 42.6 |
| 1N4759A | 62 | 4.0 | 125 | 2000 | 0.25 | 5 | 47.1 |
| 1N4760A | 68 | 3.7 | 150 | 2000 | 0.25 | 5 | 51.7 |
| 1N4761A | 75 | 3.3 | 175 | 2000 | 0.25 | 5 | 56.0 |
| 1N4762A | 82 | 3.0 | 200 | 3000 | 0.25 | 5 | 62.2 |
| 1N4763A | 91 | 2.8 | 250 | 3000 | 0.25 | 5 | 69.2 |
| 1N4764A | 100 | 2.5 | 350 | 3000 | 0.25 | 5 | 76.0 |



Looking for pricing, stock, or lifecycle information?

Click below to explore more details on WIN SOURCE:

 [View 1N4763A on WIN SOURCE](#)

 [NTE Information](#)

Optimize Your Supply Chain with WIN SOURCE Solutions

-  Global Sourcing Solution
-  Obsolete Management
-  Cost Control Management
-  Shortage Management
-  Alternative Solution
-  Excess Inventory Management