



# THE DATASHEET OF ADUCM360BCPZ128





# Low Power, Precision Analog Microcontroller with Dual Sigma-Delta ADCs, ARM Cortex-M3

Data Sheet

**ADuCM360/ADuCM361**

## FEATURES

### Analog input/output

Dual 24-bit ADCs ([ADuCM360](#))

Single 24-bit ADC ([ADuCM361](#))

Programmable ADC output rate (3.5 Hz to 3.906 kHz)

Simultaneous 50 Hz/60 Hz noise rejection

At 50 SPS continuous conversion mode

At 16.67 SPS single conversion mode

Flexible input mux for input channel selection to both ADCs

Two 24-bit multichannel ADCs (ADC0 and ADC1)

6 differential or 12 single-ended input channels

4 internal channels for monitoring DAC, temperature sensor, IOVDD/4, and AVDD/4 (ADC1 only)

Programmable gain (1 to 128)

RMS noise: 52 nV at 3.53 Hz, 200 nV at 50 Hz

Programmable sensor excitation current sources

On-chip precision voltage reference

Single 12-bit voltage output DAC

NPN mode for 4 mA to 20 mA loop applications

Microcontroller

ARM Cortex-M3 32-bit processor

Serial wire download and debug

Internal watch crystal for wake-up timer

16 MHz oscillator with 8-way programmable divider

Memory

128 kB Flash/EE memory, 8 kB SRAM

In-circuit debug/download via serial wire and UART

Power supply range: 1.8 V to 3.6 V (maximum)

Power consumption, MCU active mode

Core consumes 290  $\mu$ A/MHz

Overall system current consumption of 1.0 mA with core operating at 500 kHz (both ADCs on, input buffers off, PGA gain of 4, one SPI port on, and all timers on)

Power consumption, power-down mode: 4  $\mu$ A (wake-up timer active)

On-chip peripherals

UART, I<sup>2</sup>C, and 2  $\times$  SPI serial I/O

16-bit PWM controller

19-pin multifunction GPIO port

2 general-purpose timers

Wake-up timer/watchdog timer

Multichannel DMA and interrupt controller

Package and temperature range

48-lead, 7 mm  $\times$  7 mm LFCSP

Specified for  $-40^{\circ}\text{C}$  to  $+125^{\circ}\text{C}$  operation

Development tools

Low cost QuickStart Development System

Third-party compiler and emulator tool support

Multiple functional safety features for improved diagnostics

## APPLICATIONS

Industrial automation and process control

Intelligent precision sensing systems

4 mA to 20 mA loop-powered smart sensor systems

Medical devices, patient monitoring

Rev. D

[Document Feedback](#)

Information furnished by Analog Devices is believed to be accurate and reliable. However, no responsibility is assumed by Analog Devices for its use, nor for any infringements of patents or other rights of third parties that may result from its use. Specifications subject to change without notice. No license is granted by implication or otherwise under any patent or patent rights of Analog Devices. Trademarks and registered trademarks are the property of their respective owners.

One Technology Way, P.O. Box 9106, Norwood, MA 02062-9106, U.S.A.  
Tel: 781.329.4700 ©2012–2016 Analog Devices, Inc. All rights reserved.  
[Technical Support](#) [www.analog.com](http://www.analog.com)

## TABLE OF CONTENTS

|   |    |  |    |
|---|----|--|----|
| Features .....                                  | 1  | SPI Timing Specifications .....                  | 16 |
| Applications.....                               | 1  | Absolute Maximum Ratings .....                   | 18 |
| Revision History .....                          | 2  | Thermal Resistance .....                         | 18 |
| General Description .....                       | 3  | ESD Caution.....                                 | 18 |
| Functional Block Diagrams.....                  | 4  | Pin Configuration and Function Descriptions..... | 19 |
| Specifications.....                             | 6  | Typical Performance Characteristics .....        | 22 |
| Microcontroller Electrical Specifications ..... | 6  | Typical System Configuration .....               | 23 |
| RMS Noise Resolution of ADC0 and ADC1 .....     | 11 | Outline Dimensions .....                         | 24 |
| I <sup>2</sup> C Timing Specifications.....     | 15 | Ordering Guide .....                             | 24 |

## REVISION HISTORY

### 6/2016—Rev. C to Rev. D

|   |    |
|---|----|
| Change to Features Section .....  | 1  |
| Added Note 12 and Note 13, Table 1 .....                                  | 6  |
| Change to Internal Reference (1.2 V) Section, Table 2, and Table 3 .....  | 11 |
| Changes to External Reference (2.5 V) Section, Table 6, and Table 7 ..... | 13 |
| Change to Human Body Model Parameter, Table 14 .....                      | 18 |
| Changes to Figure 15.....   | 23 |

### 10/2014—Rev. B to Rev. C

|   |    |
|---|----|
| Changes to Table 1.....                                   | 6  |
| Changes to Table 3.....                                   | 11 |
| Changes to Table 5.....                                   | 12 |
| Changes to Table 7.....                                   | 13 |
| Changes to Table 9.....                                   | 14 |
| Changes to Table 14.....                                  | 18 |
| Changes to Pin 35 and Pin 36 Descriptions; Table 16 ..... | 20 |
| Changes to Figure 11.....                                 | 22 |

### 7/2013—Rev. A to Rev. B

|   |    |
|---|----|
| Changes to Features Section and General Description Section ..... | 3  |
| Changes to Figure 1.....  | 4  |
| Added Figure 2, Renumbered Sequentially .....                     | 5  |
| Changes to Table 1.....   | 6  |
| Changes to Table 2 and Table 3 .....                              | 10 |
| Changes to Table 4 and Table 5 .....                              | 11 |
| Changes to Table 6 and Table 7 .....                              | 12 |
| Changes to Table 8 and Table 9 .....                              | 13 |
| Changes to Table 16 .....   | 17 |
| Changes to Figure 14.....   | 21 |

### 11/2012—Rev. 0 to Rev. A

|   |    |
|---|----|
| Changes to Pin 35 and Pin 36 in Table 16..... | 18 |
|---|----|

### 9/2012—Revision 0: Initial Version

## GENERAL DESCRIPTION

The [ADuCM360](#) is a fully integrated, 3.9 kSPS, 24-bit data acquisition system that incorporates dual high performance, multichannel sigma-delta ( $\Sigma$ - $\Delta$ ) analog-to-digital converters (ADCs), a 32-bit ARM Cortex™-M3 processor, and Flash/EE memory on a single chip. The [ADuCM360](#) is designed for direct interfacing to external precision sensors in both wired and battery-powered applications. The [ADuCM361](#) contains all the features of the [ADuCM360](#) except that only one 24-bit  $\Sigma$ - $\Delta$  ADC (ADC1) is available.

The [ADuCM360/ADuCM361](#) contain an on-chip 32 kHz oscillator and an internal 16 MHz high frequency oscillator. The high frequency oscillator is routed through a programmable clock divider from which the operating frequency of the processor core clock is generated. The maximum core clock speed is 16 MHz; this speed is not limited by operating voltage or temperature.

The microcontroller core is a low power ARM Cortex-M3 processor, a 32-bit RISC machine that offers up to 20 MIPS peak performance. The Cortex-M3 processor incorporates a flexible, 11-channel DMA controller that supports all wired communication peripherals (SPI, UART, and I<sup>2</sup>C). Also integrated on chip are 128 kB of nonvolatile Flash/EE memory and 8 kB of SRAM.

The analog subsystem consists of dual ADCs, each connected to a flexible input mux. Both ADCs can operate in fully differential and single-ended modes. Other on-chip ADC features include dual programmable excitation current sources, diagnostic current sources, and a bias voltage generator of AVDD\_REG/2 (900 mV) to set the common-mode voltage of an input channel. A low-side internal ground switch is provided to allow power-down of an external circuit (for example, a bridge circuit) between conversions.

The ADCs contain two parallel filters: a sinc3 or sinc4 filter in parallel with a sinc2 filter. The sinc3 or sinc4 filter is used for precision measurements. The sinc2 filter is used for fast measurements and for the detection of step changes in the input signal.

The devices contain a low noise, low drift internal band gap reference, but they can be configured to accept one or two external reference sources in ratiometric measurement configurations. An option to buffer the external reference inputs is provided on chip. A single-channel buffered voltage output DAC is also provided on chip.

The [ADuCM360/ADuCM361](#) integrate a range of on-chip peripherals, which can be configured under microcontroller software control as required in the application. The peripherals include UART, I<sup>2</sup>C, and dual SPI serial I/O communication controllers; a 19-pin GPIO port; two general-purpose timers; a wake-up timer; and a system watchdog timer. A 16-bit PWM controller with six output channels is also provided.

The [ADuCM360/ADuCM361](#) are specifically designed to operate in battery-powered applications where low power operation is critical. The microcontroller core can be configured in a normal operating mode that consumes 290  $\mu$ A/MHz (including flash/ SRAM I<sub>DD</sub>). An overall system current consumption of 1 mA can be achieved with both ADCs on (input buffers off), PGA gain of 4, one SPI port on, and all timers on.

The [ADuCM360/ADuCM361](#) can be configured in a number of low power operating modes under direct program control, including a hibernate mode (internal wake-up timer active) that consumes only 4  $\mu$ A. In hibernate mode, peripherals such as external interrupts or the internal wake-up timer can wake up the device. This mode allows the part to operate with ultralow power and still respond to asynchronous external or periodic events.

On-chip factory firmware supports in-circuit serial download via a serial wire interface (2-pin JTAG system) and UART; non-intrusive emulation is also supported via the serial wire interface. These features are incorporated into a low cost QuickStart™ Development System that supports this precision analog microcontroller family.

The parts operate from an external 1.8 V to 3.6 V voltage supply and are specified over an industrial temperature range of -40°C to +125°C.

More information on the [ADuCM360/ADuCM361](#), see the [UG-367](#) user guide.

FUNCTIONAL BLOCK DIAGRAMS

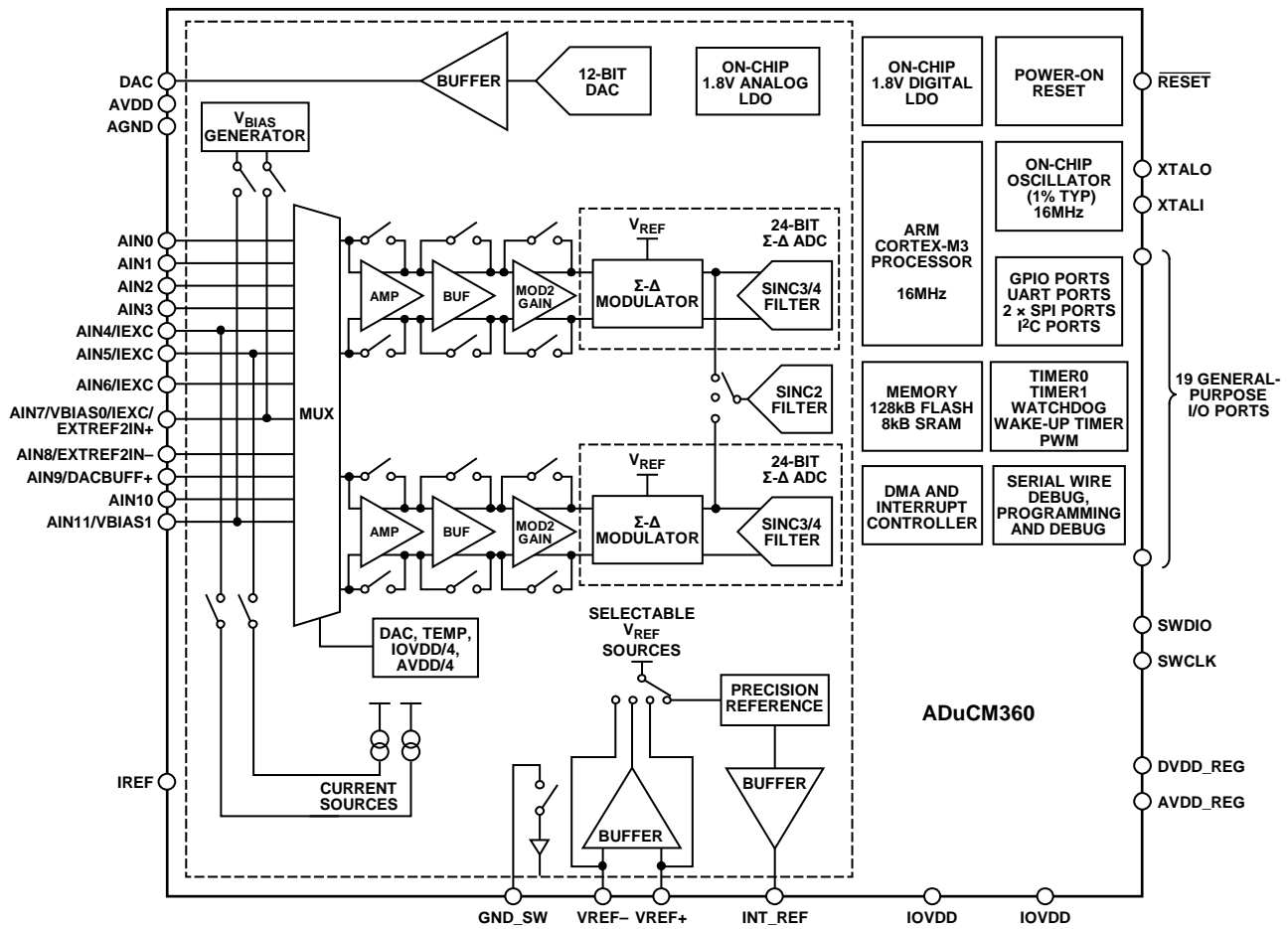


Figure 1. ADuCM360 Functional Block Diagram

08743-001

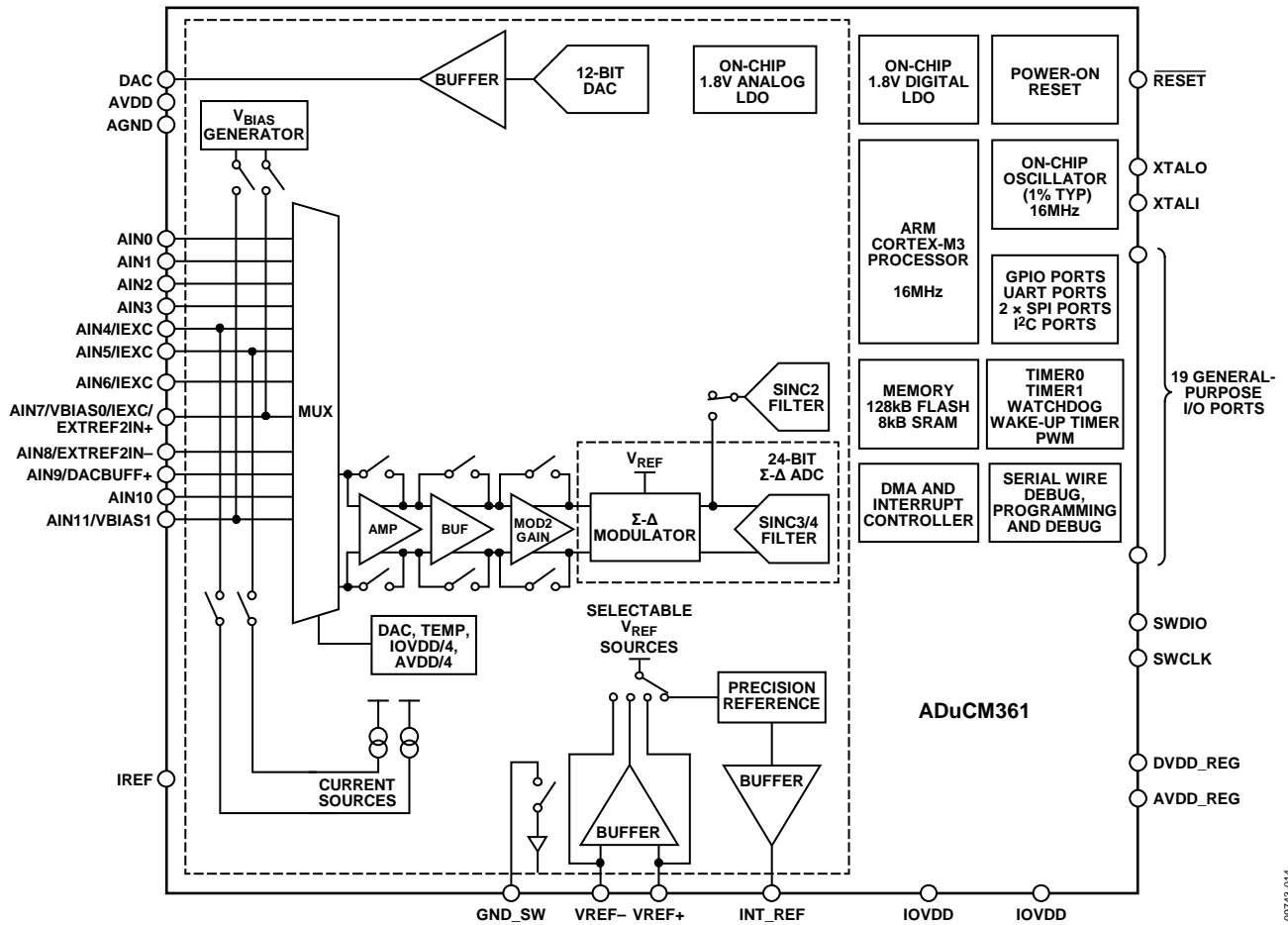


Figure 2. ADuCM361 Functional Block Diagram

09743-014

## SPECIFICATIONS

## MICROCONTROLLER ELECTRICAL SPECIFICATIONS

AVDD/IOVDD = 1.8 V to 3.6 V. The difference between AVDD and IOVDD must be  $\leq 0.3$  V. Internal 1.2 V reference,  $f_{\text{CORE}} = 16$  MHz, all specifications at  $T_A = -40^\circ\text{C}$  to  $+125^\circ\text{C}$ , unless otherwise noted.

Table 1.

| Parameter   | Test Conditions/Comments   | Min  | Typ                   | Max                  | Unit                         |
|---|--|--|-----------------------|----------------------|------------------------------|
| ADC SPECIFICATIONS                                    |  |  |                       |                      |                              |
| Conversion Rate <sup>1</sup>                          | ADC0 and ADC1  |  |                       |                      |                              |
|   | Chop off   | 3.5  |                       | 3906                 | Hz                           |
| No Missing Codes <sup>1</sup>                         | Chop on  | 3.5  |                       | 1302                 | Hz                           |
|   | Chop off, $f_{\text{ADC}} \leq 500$ Hz   | 24   |                       |                      | Bits                         |
| RMS Noise and Data Output Rates                       | Chop on, $f_{\text{ADC}} \leq 250$ Hz  | 24   |                       |                      | Bits                         |
|   | See Table 2 through Table 9  |  |                       |                      |                              |
| Integral Nonlinearity <sup>1</sup>                    | Gain = 1, input buffer off   |  | $\pm 10$              |                      | ppm of FSR                   |
|   | Gain = 2, 4, 8, or 16  |  | $\pm 15$              |                      | ppm of FSR                   |
|   | Gain = 32, 64, or 128  |  | $\pm 20$              |                      | ppm of FSR                   |
| Offset Error <sup>2, 3, 4, 6, 7</sup>                 | Chop off; offset error is in the order of the noise for the programmed gain and update rate following calibration                                      |  | $\pm 100/\text{gain}$ |                      | $\mu\text{V}$                |
|   | Chop on <sup>1</sup>   |  | $\pm 1.0$             |                      | $\mu\text{V}$                |
| Offset Error Drift vs. Temperature <sup>1, 4, 6</sup> | Chop off, gain $\leq 4$  |  | 1/gain                |                      | $\mu\text{V}/^\circ\text{C}$ |
|   | Chop off, gain $\geq 8$  |  | 230                   |                      | $\text{nV}/^\circ\text{C}$   |
|   | Chop on  |  | 10                    |                      | $\text{nV}/^\circ\text{C}$   |
| Offset Error Lifetime Stability <sup>5</sup>          | Gain = 128   |  | 1                     |                      | $\mu\text{V}/1000\text{Hr}$  |
| Full-Scale Error <sup>1, 4, 6, 7, 8</sup>             |  |  | $\pm 0.5/\text{gain}$ |                      | mV                           |
| Full-Scale Error Lifetime Stability <sup>5</sup>      | Gain = 128   |  | $\pm 25$              |                      | $\mu\text{V}/1000\text{Hr}$  |
| Gain Error Drift vs. Temperature <sup>1, 4, 6</sup>   | External reference   |  |                       |                      |                              |
|   | Gain = 1, 2, 4, 8, or 16   |  | $\pm 3$               |                      | $\text{ppm}/^\circ\text{C}$  |
|   | Gain = 32, 64, or 128  |  | $\pm 6$               |                      | $\text{ppm}/^\circ\text{C}$  |
| PGA Gain Mismatch Error                               |  |  | $\pm 0.15$            |                      | %                            |
| Power Supply Rejection <sup>1</sup>                   | External reference   |  |                       |                      |                              |
|   | Chop on, ADC input = 0.25 V, gain = 4  | 95   |                       |                      | dB                           |
|   | Chop off, ADC input = 7.8 mV, gain = 128   | 80   |                       |                      | dB                           |
| Absolute Input Voltage Range                          | Chop off, ADC input = 1 V, gain = 1  | 90   |                       |                      | dB                           |
|   | Unbuffered Mode  | AGND   |                       | AVDD                 | V                            |
|   | Buffered Mode  | Gain = 1 is not available; see the information about silicon anomalies on the <a href="#">ADuCM360/ADuCM361</a> product page |                       |                      |                              |
| Differential Input Voltage Ranges <sup>1</sup>        | Gain $\geq 2$  | AGND + 0.1   |                       | AVDD - 0.1           | V                            |
|   | For gain = 32, 64, and 128, see Table 3 and Table 7 for allowable input ranges and noise values  |  |                       |                      |                              |
| Common-Mode Voltage, $V_{\text{CM}}$ <sup>1</sup>     | Gain = 1   |  |                       | $\pm V_{\text{REF}}$ | V                            |
|   | Gain = 2   |  |                       | $\pm 500$            | mV                           |
|   | Gain = 4   |  |                       | $\pm 250$            | mV                           |
|   | Gain = 8   |  |                       | $\pm 125$            | mV                           |
|   | Gain = 16  |  |                       | $\pm 62.5$           | mV                           |
|   | Ideally, $V_{\text{CM}} = ((\text{AIN}+) + (\text{AIN}-))/2$ ; gain = 2 to 128; input current varies with $V_{\text{CM}}$ (see Figure 9 and Figure 10) | AGND   |                       | AVDD                 | V                            |

| Parameter   | Test Conditions/Comments  | Min            | Typ                     | Max        | Unit                               |
|---|---|----------------|-------------------------|------------|------------------------------------|
| Input Current <sup>9</sup>                              |   |                |                         |            |                                    |
| Buffered Mode   | Gain > 1 (excluding AIN4, AIN5, AIN6, and AIN7 pins)  |                | 1                       |            | nA                                 |
| Unbuffered Mode   | Gain > 1 (AIN4, AIN5, AIN6, and AIN7 pins)<br>Input current varies with input voltage   |                | 2<br>500                |            | nA<br>nA/V                         |
| Average Input Current Drift <sup>1</sup>                |   |                |                         |            |                                    |
| Buffered Mode   | AIN0, AIN1, AIN2, AIN3<br>AIN4, AIN5, AIN6, AIN7<br>AIN8, AIN9, AIN10, AIN11  |                | ±5<br>±16<br>±9<br>±250 |            | pA/°C<br>pA/°C<br>pA/°C<br>pA/V/°C |
| Unbuffered Mode   |   |                |                         |            |                                    |
| Common-Mode Rejection, DC <sup>1</sup>                  | On ADC input<br>ADC gain = 1, AVDD < 2 V<br>ADC gain = 1, AVDD > 2 V<br>ADC gain = 2 to 128   | 65<br>80<br>80 | 100<br>100              |            | dB<br>dB<br>dB                     |
| Common-Mode Rejection, 50 Hz/60 Hz <sup>1</sup>         | 50 Hz/60 Hz ± 1 Hz; f <sub>ADC</sub> = 16.7 Hz, chop on; f <sub>ADC</sub> = 50 Hz, chop off<br>ADC gain = 1<br>ADC gain = 2 to 128                          | 97<br>90       |                         |            | dB<br>dB                           |
| Normal-Mode Rejection, 50 Hz/60 Hz <sup>1</sup>         | On ADC input<br>50 Hz/60 Hz ± 1 Hz; f <sub>ADC</sub> = 16.7 Hz, chop on; f <sub>ADC</sub> = 50 Hz, chop off   | 60             | 80                      |            | dB                                 |
| TEMPERATURE SENSOR <sup>1</sup>                         |   |                |                         |            |                                    |
| Voltage Output at 25°C                                  | After user calibration<br>Processor powered down or in standby mode before measurement  |                | 82.1                    |            | mV                                 |
| Voltage Temperature Coefficient (TC) Accuracy           |   |                | 250<br>6                |            | µV/°C<br>°C                        |
| GROUND SWITCH   |   |                |                         |            |                                    |
| R <sub>ON</sub>   |   | 3.7            | 10                      | 19         | Ω                                  |
| Allowable Current <sup>1</sup>                          | 20 kΩ resistor off, direct short to ground  |                |                         | 20         | mA                                 |
| VOLTAGE REFERENCE                                       | ADC internal reference  |                |                         |            |                                    |
| Internal V <sub>REF</sub>                               |   |                | 1.2                     |            | V                                  |
| Initial Accuracy  | Measured at T <sub>A</sub> = 25°C   | -0.1           |                         | +0.1       | %                                  |
| Reference Temperature Coefficient (TC) <sup>1, 10</sup> |   | -15            | ±5                      | +15        | ppm/°C                             |
| Power Supply Rejection <sup>1</sup>                     |   | 82             | 90                      |            | dB                                 |
| EXTERNAL REFERENCE INPUTS                               |   |                |                         |            |                                    |
| Input Range   |   |                |                         |            |                                    |
| Buffered Mode   |   | AGND + 0.1     |                         | AVDD - 0.1 | V                                  |
| Unbuffered Mode   | Minimum differential voltage between VREF+ and VREF- pins is 400 mV   | 0              |                         | AVDD       | V                                  |
| Input Current   |   |                |                         |            |                                    |
| Buffered Mode   |   | -20            | +4                      | +27        | nA                                 |
| Unbuffered Mode   |   |                | 500                     |            | nA/V                               |
| Normal-Mode Rejection <sup>1</sup>                      |   |                | 80                      |            | dB                                 |
| Common-Mode Rejection <sup>1</sup>                      |   | 85             | 100                     |            | dB                                 |
| Reference Detect Levels <sup>1</sup>                    |   |                | 400                     |            | mV                                 |
| EXCITATION CURRENT SOURCES                              |   |                |                         |            |                                    |
| Output Current  | Available from each current source; value programmable from 10 µA to 1 mA   | 10             | 50                      | 1000       | µA                                 |
| Initial Tolerance at 25°C <sup>1</sup>                  | I <sub>OUT</sub> ≥ 50 µA  |                | ±5                      |            | %                                  |
| Drift <sup>1</sup>                                      | Using internal reference resistor<br>Using external 150 kΩ reference resistor between IREF pin and AGND; resistor must have drift specification of 5 ppm/°C |                | 100<br>75               | 400<br>400 | ppm/°C<br>ppm/°C                   |
| Initial Current Matching at 25°C <sup>1</sup>           | Matching between both current sources   |                | ±0.5                    |            | %                                  |

| Parameter                                 | Test Conditions/Comments  | Min         | Typ         | Max              | Unit   |
|---|---|-------------|-------------|------------------|--------|
| Drift Matching <sup>1</sup>               |   |             | 50          |                  | ppm/°C |
| Load Regulation, AVDD <sup>1</sup>        | AVDD = 3.3 V  |             | 0.2         |                  | %/V    |
| Output Compliance <sup>1</sup>            | I <sub>OUT</sub> = 10 μA to 210 μA  | AGND – 0.03 | AVDD – 0.45 | AVDD – 0.85      | V      |
|   | I <sub>OUT</sub> > 210 μA   | AGND – 0.03 | AVDD – 0.55 | AVDD – 1.1       | V      |
| <b>DAC CHANNEL SPECIFICATIONS</b>         |   |             |             |                  |        |
| Voltage Range                             | R <sub>L</sub> = 5 kΩ, C <sub>L</sub> = 100 pF  |             |             |                  |        |
|   | Internal reference  | 0           |             | V <sub>REF</sub> | V      |
|   | External reference  | 0           |             | 1.8              | V      |
| <b>DC Specifications<sup>11</sup></b>     |   |             |             |                  |        |
| Resolution                                |   | 12          |             |                  | Bits   |
| Relative Accuracy                         |   |             | ±3          |                  | LSB    |
| Differential Nonlinearity                 | Guaranteed monotonic  |             | ±0.5        | ±1               | LSB    |
| Offset Error                              | 1.2 V internal reference  |             | ±2          | ±10              | mV     |
| Gain Error                                | V <sub>REF</sub> range (reference = 1.2 V)  |             |             | ±0.5             | %      |
| <b>NPN Mode<sup>1</sup></b>               |   |             |             |                  |        |
| Resolution                                |   | 12          |             |                  | Bits   |
| Relative Accuracy                         |   |             | ±3          |                  | LSB    |
| Differential Nonlinearity                 |   |             | ±0.85       |                  | LSB    |
| Offset Error                              |   |             | ±0.35       |                  | mA     |
| Gain Error                                |   |             | ±0.75       |                  | mA     |
| Output Current Range                      |   | 0.008       |             | 23.6             | mA     |
| <b>Interpolation Mode<sup>1,12</sup></b>  |   |             |             |                  |        |
| Resolution                                | Only monotonic to 14 bits   |             | 14          |                  | Bits   |
| Relative Accuracy <sup>13</sup>           | For 14-bit resolution   |             | –4 to +13   |                  | LSB    |
| Differential Nonlinearity                 | Monotonic (14 bits)   |             | ±0.5        |                  | LSB    |
| Offset Error                              | 1.2 V internal reference  |             | ±2          |                  | mV     |
| Gain Error                                | V <sub>REF</sub> range (reference = 1.2 V)  |             | ±1          |                  | %      |
|   | AVDD range  |             | ±1          |                  | %      |
| <b>DAC AC CHARACTERISTICS<sup>1</sup></b> |   |             |             |                  |        |
| Voltage Output Settling Time              |   |             | 10          |                  | μs     |
| Digital-to-Analog Glitch Energy           | 1 LSB change at major carry (maximum number of bits changes simultaneously in the DAC0DAT register) |             | ±20         |                  | nV-sec |
| <b>POWER-ON RESET (POR)</b>               |   |             |             |                  |        |
| POR Trip Level                            | Voltage at DVDD pin   |             |             |                  |        |
|   | Power-on level  |             | 1.6         |                  | V      |
|   | Power-down level  |             | 1.6         |                  | V      |
| Timeout from POR <sup>1</sup>             |   |             | 50          |                  | ms     |
| <b>WATCHDOG TIMER (WDT)<sup>1</sup></b>   |   |             |             |                  |        |
| Timeout Period                            |   | 0.00003     |             | 8192             | sec    |
| Timeout Step Size                         | T3CON[3:2] = 10   |             | 7.8125      |                  | ms     |
| <b>FLASH/EE MEMORY<sup>1</sup></b>        |   |             |             |                  |        |
| Endurance <sup>14</sup>                   |   | 10,000      |             |                  | Cycles |
| Data Retention <sup>15</sup>              | T <sub>J</sub> = 85°C   | 10          |             |                  | Years  |
| <b>DIGITAL INPUTS</b>                     |   |             |             |                  |        |
| Input Leakage Current                     | All digital inputs  |             |             |                  |        |
|   | Digital inputs except for the $\overline{\text{RESET}}$ , SWCLK, and SWDIO pins                     |             |             |                  |        |
| Logic 1                                   | V <sub>INH</sub> = IOVDD or V <sub>INH</sub> = 1.8 V  |             | 140         |                  | μA     |
|   | Internal pull-up disabled   |             | 1           |                  | nA     |
| Logic 0                                   | V <sub>INL</sub> = 0 V  |             | 160         |                  | μA     |
|   | Internal pull-up disabled   |             | 10          |                  | nA     |

| Parameter  | Test Conditions/Comments   | Min         | Typ    | Max         | Unit             |
|--|--|-------------|--------|-------------|------------------|
| Input Leakage Current                                  | RESET, SWCLK, and SWDIO pins   |             |        |             |                  |
| Logic 1  |  |             | 140    |             | μA               |
| Logic 0  |  |             | 160    |             | μA               |
| Input Capacitance <sup>1</sup>                         |  |             | 10     |             | pF               |
| Logic Inputs   |  |             |        |             |                  |
| Input Low Voltage, V <sub>INL</sub>                    |  |             |        | 0.2 × IOVDD | V                |
| Input High Voltage, V <sub>INH</sub>                   |  | 0.7 × IOVDD |        |             | V                |
| Logic Outputs  |  |             |        |             |                  |
| Output High Voltage, V <sub>OH</sub>                   | I <sub>SOURCE</sub> = 1 mA   | IOVDD – 0.4 |        |             | V                |
| Output Low Voltage, V <sub>OL</sub>                    | I <sub>SINK</sub> = 1 mA   |             |        | 0.4         | V                |
| CRYSTAL OSCILLATOR <sup>1</sup>                        | 32.768 kHz crystal inputs  |             |        |             |                  |
| Logic Inputs, XTALI Only <sup>16</sup>                 |  |             |        |             |                  |
| Input Low Voltage, V <sub>INL</sub>                    |  |             |        | 0.8         | V                |
| Input High Voltage, V <sub>INH</sub>                   |  | 1.7         |        |             | V                |
| XTALI Capacitance                                      |  |             | 6      |             | pF               |
| XTALO Capacitance                                      |  |             | 6      |             | pF               |
| ON-CHIP LOW POWER OSCILLATOR                           |  |             |        |             |                  |
| Oscillator Frequency                                   |  |             | 32.768 |             | kHz              |
| Accuracy   |  | –30         | ±10    | +30         | %                |
| ON-CHIP HIGH FREQUENCY OSCILLATOR                      |  |             |        |             |                  |
| Oscillator Frequency                                   |  |             | 16     |             | MHz              |
| Accuracy   | –40°C to +125°C  | –1.8        |        | +1.4        | %                |
| Long Term Stability <sup>5</sup>                       |  |             | 0.8    |             | %/1000 Hr        |
| PROCESSOR CLOCK RATE <sup>1</sup>                      | Nine programmable core clock selections within specified range   | 0.0625      | 0.5    | 16          | MHz              |
| Using an External Clock                                |  | 0.032768    |        | 16          | MHz              |
| PROCESSOR START-UP TIME <sup>1</sup>                   |  |             |        |             |                  |
| At Power-On  | Includes kernel power-on execution time  |             | 41     |             | ms               |
| After Reset Event                                      | Includes kernel power-on execution time  |             | 1.44   |             | ms               |
| From Processor Power-Down (Mode 1, Mode 2, and Mode 3) | f <sub>CLK</sub> is the Cortex-M3 core clock   |             | 3 to 5 |             | f <sub>CLK</sub> |
| From Total Halt or Hibernate Mode (Mode 4 or Mode 5)   |  |             | 30.8   |             | μs               |
| POWER REQUIREMENTS                                     |  |             |        |             |                  |
| Power Supply Voltages, V <sub>DD</sub>                 | AVDD, IOVDD  | 1.8         |        | 3.6         | V                |
| Power Consumption                                      |  |             |        |             |                  |
| I <sub>DD</sub> (MCU Active Mode) <sup>17, 18</sup>    | Processor clock rate = 16 MHz; all peripherals on (CLKSYSDIV = 0)  |             | 5.5    |             | mA               |
|  | Processor clock rate = 8 MHz; all peripherals on (CLKSYSDIV = 1)   |             | 3      |             | mA               |
|  | Processor clock rate = 500 kHz; both ADCs on (input buffers off) with PGA gain = 4, 1 × SPI port on, all timers on |             | 1      |             | mA               |
| I <sub>DD</sub> (MCU Powered Down)                     | Full temperature range, total halt mode (Mode 4)   |             | 4      |             | μA               |
|  | Reduced temperature range, –40°C to +85°C  |             | 4      |             | μA               |
| I <sub>DD, Total</sub> (ADC0) <sup>18</sup>            | PGA enabled, gain ≥ 32   |             | 320    |             | μA               |
| PGA  | Gain = 4, 8, or 16, PGA only   |             | 130    |             | μA               |
|  | Gain = 32, 64, or 128, PGA only  |             | 180    |             | μA               |
| Input Buffers  | 2 × input buffers = 70 μA  |             | 70     |             | μA               |
| Digital Interface and Modulator                        |  |             | 70     |             | μA               |

| Parameter                        | Test Conditions/Comments                   | Min | Typ | Max | Unit |
|----------------------------------|--|-----|-----|-----|------|
| I <sub>DD</sub> (ADC1)           | Input buffers off, gain = 4, 8, or 16 only |     | 200 |     | μA   |
| External Reference Input Buffers | 60 μA each                                 |     | 120 |     | μA   |

<sup>1</sup> These numbers are not production tested, but are guaranteed by design and/or characterization data at production release.

<sup>2</sup> Tested at gain = 4 after initial offset calibration.

<sup>3</sup> Measured with an internal short. A system zero-scale calibration removes this error.

<sup>4</sup> A recalibration at any temperature removes these errors.

<sup>5</sup> The long term stability specification is noncumulative. The drift in subsequent 1000 hour periods is significantly lower than in the first 1000 hour period.

<sup>6</sup> These numbers do not include internal reference temperature drift.

<sup>7</sup> Factory calibrated at gain = 1.

<sup>8</sup> System calibration at a specific gain removes the error at this gain.

<sup>9</sup> Input current measured with one ADC measuring a channel. If both ADCs measure the same input channel, the input current increases (approximately doubles).

<sup>10</sup> Measured using the box method.

<sup>11</sup> Reference DAC linearity is calculated using a reduced code range of 0x0AB to 0xF30.

<sup>12</sup> Measured using a low-pass filter with R = 1 kΩ, C = 100 nF.

<sup>13</sup> A closed loop control with the ADC improves DAC accuracy.

<sup>14</sup> Endurance is qualified to 10,000 cycles as per JEDEC Standard 22, Method A117, and is measured at -40°C, +25°C, and +125°C. Typical endurance at 25°C is 170,000 cycles.

<sup>15</sup> Retention lifetime equivalent at junction temperature (T<sub>j</sub>) = 85°C as per JEDEC Standard 22, Method A117. Retention lifetime derates with junction temperature.

<sup>16</sup> Voltage input levels are relevant only if driving XTAL input from a voltage source. If a crystal is connected directly, the internal crystal interface determines the common-mode voltage.

<sup>17</sup> Typical additional supply current consumed during Flash/EE memory program and erase cycles is 7 mA.

<sup>18</sup> Total I<sub>DD</sub> for ADC includes figures for PGA ≥ 32, input buffers, digital interface, and the Σ-Δ modulator.

**RMS NOISE RESOLUTION OF ADC0 AND ADC1****Internal Reference (1.2 V)**

Table 2 through Table 5 provide rms noise specifications for ADC0 and ADC1 using the internal reference (1.2 V). Table 2 and Table 3 list the rms noise for both ADCs with various gain and output update rate values. Table 4 and Table 5 list the typical output rms noise effective number of bits (ENOB) in normal mode for both ADCs with various gain and output update rate values. (Peak-to-peak ENOB is shown in parentheses.) These results are taken with the input buffers off.

**Table 2. RMS Noise vs. Gain and Output Update Rate, Internal Reference (1.2 V), Gain = 1, 2, 4, 8, and 16**

| Update Rate (Hz) | Chop/Sinc | ADCFLT Register Value | RMS Noise ( $\mu\text{V}$ )                           |   |   |   |   |
|------------------|-----------|-----------------------|---|---|---|---|---|
|                  |           |                       | Gain = 1,<br>$\pm V_{\text{REF}}$ ,<br>ADCxMDE = 0x01 | Gain = 2,<br>$\pm 500 \text{ mV}$ ,<br>ADCxMDE = 0x11 | Gain = 4,<br>$\pm 250 \text{ mV}$ ,<br>ADCxMDE = 0x21 | Gain = 8,<br>$\pm 125 \text{ mV}$ ,<br>ADCxMDE = 0x31 | Gain = 16,<br>$\pm 62.5 \text{ mV}$ ,<br>ADCxMDE = 0x41 |
| 3.53             | On/Sinc3  | 0x8E7C                | 1.05  | 0.45  | 0.23  | 0.135   | 0.072   |
| 30               | Off/Sinc3 | 0x007E                | 2.1   | 1.37  | 0.63  | 0.37  | 0.22  |
| 50               | Off/Sinc3 | 0x007D                | 3.7   | 1.6   | 0.83  | 0.47  | 0.29  |
| 100              | Off/Sinc3 | 0x004D                | 5.45  | 2.41  | 1.13  | 0.63  | 0.38  |
| 488              | Off/Sinc4 | 0x100F                | 10  | 4.7   | 2.2   | 1.3   | 0.79  |
| 976              | Off/Sinc4 | 0x1007                | 13.5  | 6.5   | 3.3   | 1.7   | 1.1   |
| 1953             | Off/Sinc4 | 0x1003                | 19.3  | 10  | 4.7   | 2.6   | 1.55  |
| 3906             | Off/Sinc4 | 0x1001                | 67.0  | 36  | 16.6  | 8.8   | 4.9   |

**Table 3. RMS Noise vs. Gain and Output Update Rate, Internal Reference (1.2 V), Gain = 32, 64, and 128**

| Update Rate (Hz) | Chop/Sinc | ADCFLT Register Value | RMS Noise ( $\mu\text{V}$ )  |  |   |  |  |  |
|------------------|-----------|-----------------------|--|--|---|--|--|--|
|                  |           |                       | Gain = 32, <sup>1</sup><br>$\pm 37.5 \text{ mV}$ ,<br>ADCxMDE = 0x49 | Gain = 32, <sup>1, 2</sup><br>$\pm 22.18 \text{ mV}$ ,<br>ADCxMDE = 0x51 | Gain = 64, <sup>3</sup><br>$\pm 18.75 \text{ mV}$ ,<br>ADCxMDE = 0x59 | Gain = 64, <sup>3, 4</sup><br>$\pm 10.3125 \text{ mV}$ ,<br>ADCxMDE = 0x61 | Gain = 128, <sup>5</sup><br>$\pm 9.375 \text{ mV}$ ,<br>ADCxMDE = 0x69 | Gain = 128, <sup>5, 6</sup><br>$\pm 3.98 \text{ mV}$ ,<br>ADCxMDE = 0x71 |
| 3.53             | On/Sinc3  | 0x8E7C                | 0.067  | 0.064  | 0.073   | 0.055  | 0.058  | 0.052  |
| 30               | Off/Sinc3 | 0x007E                | 0.202  | 0.2  | 0.196   | 0.16   | 0.174  | 0.155  |
| 50               | Off/Sinc3 | 0x007D                | 0.24   | 0.24   | 0.25  | 0.21   | 0.21   | 0.2  |
| 100              | Off/Sinc3 | 0x004D                | 0.35   | 0.32   | 0.36  | 0.27   | 0.31   | 0.25   |
| 488              | Off/Sinc4 | 0x100F                | 0.7  | 0.67   | 0.71  | 0.58   | 0.62   | 0.57   |
| 976              | Off/Sinc4 | 0x1007                | 0.99   | 0.91   | 1.01  | 0.74   | 0.83   | 0.7  |
| 1953             | Off/Sinc4 | 0x1003                | 1.78   | 1.3  | 1.48  | 1.15   | 1.25   | 1.0  |
| 3906             | Off/Sinc4 | 0x1001                | 6.44   | 2.68   | 3.59  | 1.4  | 2.2  | 1.4  |

<sup>1</sup> ADCxMDE = 0x49 sets the PGA for a gain of 16 with a modulator gain of 2. The modulator gain of 2 is implemented by adjusting the sampling capacitors into the modulator. ADCxMDE = 0x51 sets the PGA for a gain of 32 with the modulator gain off. ADCxMDE = 0x49 has slightly higher noise but supports a wider input range.

<sup>2</sup> If AVDD < 2.0 V and ADCxMDE = 0x51, the input range is  $\pm 17.5 \text{ mV}$ .

<sup>3</sup> ADCxMDE = 0x59 sets the PGA for a gain of 32 with a modulator gain of 2. The modulator gain of 2 is implemented by adjusting the sampling capacitors into the modulator. ADCxMDE = 0x61 sets the PGA for a gain of 64 with the modulator gain off. ADCxMDE = 0x59 has slightly higher noise but supports a wider input range.

<sup>4</sup> If AVDD < 2.0 V and ADCxMDE = 0x61, the input range is  $\pm 8.715 \text{ mV}$ .

<sup>5</sup> ADCxMDE = 0x69 sets the PGA for a gain of 64 with a modulator gain of 2. The modulator gain of 2 is implemented by adjusting the sampling capacitors into the modulator. ADCxMDE = 0x71 sets the PGA for a gain of 128 with the modulator gain off. ADCxMDE = 0x69 has slightly higher noise but supports a wider input range.

<sup>6</sup> If AVDD < 2.0 V and ADCxMDE = 0x71, the input range is  $\pm 3.828 \text{ mV}$ .

Table 4. Typical Output RMS Noise Effective Number of Bits in Normal Mode, Internal Reference (1.2 V), Gain = 1, 2, 4, 8, and 16

| Update Rate (Hz) | Chop/Sinc | Effective Number of Bits (ENOB) by Input Voltage Range and Gain <sup>1</sup> |   |   |   |   |
|------------------|-----------|--|---|---|---|---|
|                  |           | Gain = 1,<br>±V <sub>REF</sub> ,<br>ADCxMDE = 0x01                           | Gain = 2,<br>±500 mV,<br>ADCxMDE = 0x11 | Gain = 4,<br>±250 mV,<br>ADCxMDE = 0x21 | Gain = 8,<br>±125 mV,<br>ADCxMDE = 0x31 | Gain = 16,<br>±62.5 mV,<br>ADCxMDE = 0x41 |
| 3.53             | On/Sinc3  | 21.1<br>(18.4 p-p)   | 21.1<br>(18.4 p-p)                      | 21.1<br>(18.3 p-p)                      | 20.8<br>(18.1 p-p)                      | 20.7<br>(18.0 p-p)                        |
| 30               | Off/Sinc3 | 20.1<br>(17.4 p-p)   | 19.5<br>(16.8 p-p)                      | 19.6<br>(16.9 p-p)                      | 19.4<br>(16.6 p-p)                      | 19.1<br>(16.4 p-p)                        |
| 50               | Off/Sinc3 | 19.3<br>(16.6 p-p)   | 19.25<br>(16.5 p-p)                     | 19.2<br>(16.5 p-p)                      | 19.0<br>(16.3 p-p)                      | 18.7<br>(16.0 p-p)                        |
| 100              | Off/Sinc3 | 18.7<br>(16.0 p-p)   | 18.66<br>(15.9 p-p)                     | 18.75<br>(16.0 p-p)                     | 18.6<br>(15.9 p-p)                      | 18.3<br>(15.6 p-p)                        |
| 488              | Off/Sinc4 | 17.9<br>(15.2 p-p)   | 17.7<br>(15.0 p-p)                      | 17.8<br>(15.1 p-p)                      | 17.55<br>(14.8 p-p)                     | 17.3<br>(14.5 p-p)                        |
| 976              | Off/Sinc4 | 17.4<br>(14.7 p-p)   | 17.2<br>(14.5 p-p)                      | 17.2<br>(14.5 p-p)                      | 17.2<br>(14.4 p-p)                      | 16.8<br>(14.1 p-p)                        |
| 1953             | Off/Sinc4 | 16.9<br>(14.2 p-p)   | 16.6<br>(13.9 p-p)                      | 16.7<br>(14.0 p-p)                      | 16.55<br>(13.8 p-p)                     | 16.3<br>(13.6 p-p)                        |
| 3906             | Off/Sinc4 | 15.1<br>(12.4 p-p)   | 14.8<br>(12.0 p-p)                      | 14.9<br>(12.2 p-p)                      | 14.8<br>(12.1 p-p)                      | 14.6<br>(11.9 p-p)                        |

<sup>1</sup> RMS bits are calculated as follows:  $\log_2((2 \times \text{Input Range})/\text{RMS Noise})$ ; peak-to-peak (p-p) bits are calculated as follows:  $\log_2((2 \times \text{Input Range})/(6.6 \times \text{RMS Noise}))$ .

Table 5. Typical Output RMS Noise Effective Number of Bits in Normal Mode, Internal Reference (1.2 V), Gain = 32, 64, and 128

| Update Rate (Hz) | Chop/Sinc | Effective Number of Bits (ENOB) by Input Voltage Range and Gain <sup>1</sup> |  |  |  |   |  |
|------------------|-----------|--|--|--|--|---|--|
|                  |           | Gain = 32,<br>±37.5 mV,<br>ADCxMDE = 0x49                                    | Gain = 32,<br>±22.18 mV,<br>ADCxMDE = 0x51 | Gain = 64,<br>±18.75 mV,<br>ADCxMDE = 0x59 | Gain = 64,<br>±10.3125 mV,<br>ADCxMDE = 0x61 | Gain = 128,<br>±9.375 mV,<br>ADCxMDE = 0x69 | Gain = 128,<br>±3.98 mV,<br>ADCxMDE = 0x71 |
| 3.53             | On/Sinc3  | 19.8<br>(17.1 p-p)   | 19.4<br>(16.7 p-p)                         | 18.7<br>(16.0 p-p)                         | 18.5<br>(15.8 p-p)                           | 18.0<br>(15.3 p-p)                          | 17.2<br>(14.5 p-p)                         |
| 30               | Off/Sinc3 | 18.2<br>(15.5 p-p)   | 17.75<br>(15.0 p-p)                        | 17.3<br>(14.6 p-p)                         | 17.0<br>(14.25 p-p)                          | 16.45<br>(13.7 p-p)                         | 15.6<br>(12.9 p-p)                         |
| 50               | Off/Sinc3 | 18.0<br>(15.2 p-p)   | 17.5<br>(14.8 p-p)                         | 16.93<br>(14.2 p-p)                        | 16.6<br>(13.86 p-p)                          | 16.2<br>(13.5 p-p)                          | 15.3<br>(12.55 p-p)                        |
| 100              | Off/Sinc3 | 17.4<br>(14.7 p-p)   | 17.1<br>(14.35 p-p)                        | 16.4<br>(13.7 p-p)                         | 16.2<br>(13.5 p-p)                           | 15.6<br>(12.9 p-p)                          | 15.0<br>(12.2 p-p)                         |
| 488              | Off/Sinc4 | 16.4<br>(13.7 p-p)   | 16.0<br>(13.3 p-p)                         | 15.4<br>(12.7 p-p)                         | 15.1<br>(12.4 p-p)                           | 14.6<br>(11.9 p-p)                          | 13.8<br>(11.0 p-p)                         |
| 976              | Off/Sinc4 | 15.9<br>(13.2 p-p)   | 15.6<br>(12.85 p-p)                        | 14.91<br>(12.2 p-p)                        | 14.8<br>(12.0 p-p)                           | 14.2<br>(11.5 p-p)                          | 13.4<br>(10.75 p-p)                        |
| 1953             | Off/Sinc4 | 15.1<br>(12.4 p-p)   | 15.05<br>(12.3 p-p)                        | 14.4<br>(11.6 p-p)                         | 14.1<br>(11.4 p-p)                           | 13.6<br>(10.9 p-p)                          | 13.0<br>(10.2 p-p)                         |
| 3906             | Off/Sinc4 | 13.2<br>(10.5 p-p)   | 14.0<br>(11.3 p-p)                         | 13.1<br>(10.4 p-p)                         | 13.8<br>(11.1 p-p)                           | 12.8<br>(10.1 p-p)                          | 12.5<br>(9.75 p-p)                         |

<sup>1</sup> RMS bits are calculated as follows:  $\log_2((2 \times \text{Input Range})/\text{RMS Noise})$ ; peak-to-peak (p-p) bits are calculated as follows:  $\log_2((2 \times \text{Input Range})/(6.6 \times \text{RMS Noise}))$ .

**External Reference (2.5 V)**

Table 6 through Table 9 provide rms noise specifications for ADC0 and ADC1 using the external reference (2.5 V). Table 6 and Table 7 list the rms noise for both ADCs with various gain and output update rate values. Table 8 and Table 9 list the typical output rms noise effective number of bits (ENOB) in normal mode for both ADCs with various gain and output update rate values. (Peak-to-peak ENOB is shown in parentheses.) These results are taken with the input buffers off.

**Table 6. RMS Noise vs. Gain and Output Update Rate, External Reference (2.5 V), Gain = 1, 2, 4, 8, and 16**

| Update Rate (Hz) | Chop/Sinc | ADCFLT Register Value | RMS Noise ( $\mu\text{V}$ )                        |   |   |   |   |
|------------------|-----------|-----------------------|--|---|---|---|---|
|                  |           |                       | Gain = 1, $\pm V_{\text{REF}}$ ,<br>ADCxMDE = 0x01 | Gain = 2, $\pm 500$ mV,<br>ADCxMDE = 0x11 | Gain = 4, $\pm 250$ mV,<br>ADCxMDE = 0x21 | Gain = 8, $\pm 125$ mV,<br>ADCxMDE = 0x31 | Gain = 16, $\pm 62.5$ mV,<br>ADCxMDE = 0x41 |
| 3.53             | On/Sinc3  | 0x8E7C                | 1.1  | 0.5                                       | 0.27                                      | 0.17                                      | 0.088                                       |
| 30               | Off/Sinc3 | 0x007E                | 3  | 1.4                                       | 0.85                                      | 0.44                                      | 0.27  |
| 50               | Off/Sinc3 | 0x007D                | 3.9  | 2.2                                       | 0.92                                      | 0.46                                      | 0.3   |
| 100              | Off/Sinc3 | 0x004D                | 5.2  | 2.8                                       | 1.25                                      | 0.63                                      | 0.38  |
| 488              | Off/Sinc4 | 0x100F                | 9.3  | 5.0                                       | 2.5                                       | 1.2                                       | 0.75  |
| 976              | Off/Sinc4 | 0x1007                | 12.5   | 7   | 3.5                                       | 1.75                                      | 1.2   |
| 1953             | Off/Sinc4 | 0x1003                | 20.0   | 10  | 5.7                                       | 2.6                                       | 1.71  |
| 3906             | Off/Sinc4 | 0x1001                | 140.0  | 70.0                                      | 35.0                                      | 17.2                                      | 8.9   |

**Table 7. RMS Noise vs. Gain and Output Update Rate, External Reference (2.5 V), Gain = 32, 64, and 128**

| Update Rate (Hz) | Chop/Sinc | ADCFLT Register Value | RMS Noise ( $\mu\text{V}$ )                                 |  |  |  |   |  |
|------------------|-----------|-----------------------|---|--|--|--|---|--|
|                  |           |                       | Gain = 32, <sup>1</sup><br>$\pm 62.5$ mV,<br>ADCxMDE = 0x49 | Gain = 32, <sup>1,2</sup><br>$\pm 22.18$ mV,<br>ADCxMDE = 0x51 | Gain = 64, <sup>3</sup><br>$\pm 22.18$ mV,<br>ADCxMDE = 0x59 | Gain = 64, <sup>3,4</sup><br>$\pm 10.3125$ mV,<br>ADCxMDE = 0x61 | Gain = 128, <sup>5</sup><br>$\pm 10.3125$ mV,<br>ADCxMDE = 0x69 | Gain = 128, <sup>5,6</sup><br>$\pm 3.98$ mV,<br>ADCxMDE = 0x71 |
| 3.53             | On/Sinc3  | 0x8E7C                | 0.076   | 0.07   | 0.088  | 0.06   | 0.068   | 0.058  |
| 30               | Off/Sinc3 | 0x007E                | 0.21  | 0.22   | 0.21   | 0.19   | 0.175   | 0.17   |
| 50               | Off/Sinc3 | 0x007D                | 0.265   | 0.21   | 0.27   | 0.2  | 0.225   | 0.19   |
| 100              | Off/Sinc3 | 0x004D                | 0.37  | 0.32   | 0.366  | 0.28   | 0.32  | 0.26   |
| 488              | Off/Sinc4 | 0x100F                | 0.73  | 0.7  | 0.73   | 0.57   | 0.64  | 0.5  |
| 976              | Off/Sinc4 | 0x1007                | 1.1   | 0.83   | 1.01   | 0.77   | 0.89  | 0.75   |
| 1953             | Off/Sinc4 | 0x1003                | 2.05  | 1.3  | 1.6  | 1.24   | 1.3   | 1.1  |
| 3906             | Off/Sinc4 | 0x1001                | 9.4   | 4.8  | 5.1  | 2.65   | 3.2   | 1.88   |

<sup>1</sup> ADCxMDE = 0x49 sets the PGA for a gain of 16 with a modulator gain of 2. The modulator gain of 2 is implemented by adjusting the sampling capacitors into the modulator. ADCxMDE = 0x51 sets the PGA for a gain of 32 with the modulator gain off. ADCxMDE = 0x49 has slightly higher noise but supports a wider input range.

<sup>2</sup> If AVDD < 2.0 V and ADCxMDE = 0x51, the input range is  $\pm 17.5$  mV.

<sup>3</sup> ADCxMDE = 0x59 sets the PGA for a gain of 32 with a modulator gain of 2. The modulator gain of 2 is implemented by adjusting the sampling capacitors into the modulator. ADCxMDE = 0x61 sets the PGA for a gain of 64 with the modulator gain off. ADCxMDE = 0x59 has slightly higher noise but supports a wider input range.

<sup>4</sup> If AVDD < 2.0 V and ADCxMDE = 0x61, the input range is  $\pm 8.715$  mV.

<sup>5</sup> ADCxMDE = 0x69 sets the PGA for a gain of 64 with a modulator gain of 2. The modulator gain of 2 is implemented by adjusting the sampling capacitors into the modulator. ADCxMDE = 0x71 sets the PGA for a gain of 128 with the modulator gain off. ADCxMDE = 0x69 has slightly higher noise but supports a wider input range.

<sup>6</sup> If AVDD < 2.0 V and ADCxMDE = 0x71, the input range is  $\pm 3.828$  mV.

Table 8. Typical Output RMS Noise Effective Number of Bits in Normal Mode, External Reference (2.5 V), Gain = 1, 2, 4, 8, and 16

| Update Rate (Hz) | Chop/Sinc | Effective Number of Bits (ENOB) by Input Voltage Range and Gain <sup>1</sup> |   |   |   |   |
|------------------|-----------|--|---|---|---|---|
|                  |           | Gain = 1,<br>±V <sub>REF</sub> ,<br>ADCxMDE = 0x01                           | Gain = 2,<br>±500 mV,<br>ADCxMDE = 0x11 | Gain = 4,<br>±250 mV,<br>ADCxMDE = 0x21 | Gain = 8,<br>±125 mV,<br>ADCxMDE = 0x31 | Gain = 16,<br>±62.5 mV,<br>ADCxMDE = 0x41 |
| 3.53             | On/Sinc3  | 22.1<br>(19.4 p-p)   | 20.9<br>(18.2 p-p)                      | 20.8<br>(18.1 p-p)                      | 20.5<br>(17.7 p-p)                      | 20.43<br>(17.7 p-p)                       |
| 30               | Off/Sinc3 | 20.7<br>(18.0 p-p)   | 19.4<br>(16.7 p-p)                      | 19.2<br>(16.4 p-p)                      | 19.1<br>(16.4 p-p)                      | 18.82<br>(16.1 p-p)                       |
| 50               | Off/Sinc3 | 20.3<br>(17.6 p-p)   | 18.8<br>(16.1 p-p)                      | 19.05<br>(16.3 p-p)                     | 19.05<br>(16.3 p-p)                     | 18.66<br>(15.9 p-p)                       |
| 100              | Off/Sinc3 | 19.9<br>(17.2 p-p)   | 18.4<br>(15.7 p-p)                      | 18.6<br>(15.9 p-p)                      | 18.6<br>(15.9 p-p)                      | 18.32<br>(15.6 p-p)                       |
| 488              | Off/Sinc4 | 19.0<br>(16.3 p-p)   | 17.6<br>(14.9 p-p)                      | 17.6<br>(14.9 p-p)                      | 17.7<br>(14.9 p-p)                      | 17.34<br>(14.6 p-p)                       |
| 976              | Off/Sinc4 | 18.6<br>(15.9 p-p)   | 17.1<br>(14.4 p-p)                      | 17.1<br>(14.4 p-p)                      | 17.1<br>(14.4 p-p)                      | 16.66<br>(13.9 p-p)                       |
| 1953             | Off/Sinc4 | 17.9<br>(15.2 p-p)   | 16.6<br>(13.9 p-p)                      | 16.4<br>(13.7 p-p)                      | 16.55<br>(13.8 p-p)                     | 16.15<br>(13.4 p-p)                       |
| 3906             | Off/Sinc4 | 15.1<br>(12.4 p-p)   | 13.8<br>(11.1 p-p)                      | 13.8<br>(11.1 p-p)                      | 13.8<br>(11.1 p-p)                      | 13.77<br>(11.05 p-p)                      |

<sup>1</sup> RMS bits are calculated as follows:  $\log_2((2 \times \text{Input Range})/\text{RMS Noise})$ ; peak-to-peak (p-p) bits are calculated as follows:  $\log_2((2 \times \text{Input Range})/(6.6 \times \text{RMS Noise}))$ .

Table 9. Typical Output RMS Noise Effective Number of Bits in Normal Mode, External Reference (2.5 V), Gain = 32, 64, and 128

| Update Rate (Hz) | Chop/Sinc | Effective Number of Bits (ENOB) by Input Voltage Range and Gain <sup>1</sup> |   |   |   |  |   |
|------------------|-----------|--|---|---|---|--|---|
|                  |           | Gain = 32,<br>±62.5 mV,<br>ADCxMDE =<br>0x49                                 | Gain = 32,<br>±22.18 mV,<br>ADCxMDE =<br>0x51 | Gain = 64,<br>±22.18 mV,<br>ADCxMDE =<br>0x59 | Gain = 64,<br>±10.3125 mV,<br>ADCxMDE =<br>0x61 | Gain = 128,<br>±10.3125 mV,<br>ADCxMDE =<br>0x69 | Gain = 128,<br>±3.98 mV,<br>ADCxMDE =<br>0x71 |
| 3.53             | On/Sinc3  | 19.6<br>(16.9 p-p)   | 19.3<br>(16.55 p-p)                           | 18.4<br>(15.7 p-p)                            | 18.4<br>(15.7 p-p)                              | 17.8<br>(15.1 p-p)                               | 17.1<br>(14.3 p-p)                            |
| 30               | Off/Sinc3 | 18.2<br>(15.5 p-p)   | 17.6<br>(14.9 p-p)                            | 17.2<br>(14.5 p-p)                            | 16.7<br>(14.0 p-p)                              | 16.4<br>(13.7 p-p)                               | 15.5<br>(12.8 p-p)                            |
| 50               | Off/Sinc3 | 17.8<br>(15.1 p-p)   | 17.7<br>(15.0 p-p)                            | 16.8<br>(14.1 p-p)                            | 16.65<br>(13.9 p-p)                             | 16.1<br>(13.4 p-p)                               | 15.35<br>(12.6 p-p)                           |
| 100              | Off/Sinc3 | 17.4<br>(14.6 p-p)   | 17.1<br>(14.35 p-p)                           | 16.4<br>(13.7 p-p)                            | 16.2<br>(13.4 p-p)                              | 15.6<br>(12.85 p-p)                              | 14.9<br>(12.2 p-p)                            |
| 488              | Off/Sinc4 | 16.4<br>(13.7 p-p)   | 16.0<br>(13.2 p-p)                            | 15.4<br>(12.7 p-p)                            | 15.1<br>(12.4 p-p)                              | 14.6<br>(11.85 p-p)                              | 14.0<br>(11.2 p-p)                            |
| 976              | Off/Sinc4 | 15.8<br>(13.1 p-p)   | 15.7<br>(13.0 p-p)                            | 14.9<br>(12.2 p-p)                            | 14.7<br>(12.0 p-p)                              | 14.1<br>(11.4 p-p)                               | 13.4<br>(10.6 p-p)                            |
| 1953             | Off/Sinc4 | 14.9<br>(12.1 p-p)   | 15.1<br>(12.3 p-p)                            | 14.25<br>(11.5 p-p)                           | 14.0<br>(11.3 p-p)                              | 13.55<br>(10.8 p-p)                              | 12.8<br>(10.1 p-p)                            |
| 3906             | Off/Sinc4 | 12.7<br>(10.0 p-p)   | 13.2<br>(10.4 p-p)                            | 12.6<br>(9.9 p-p)                             | 12.9<br>(10.2 p-p)                              | 12.25<br>(9.5 p-p)                               | 12.0<br>(9.3 p-p)                             |

<sup>1</sup> RMS bits are calculated as follows:  $\log_2((2 \times \text{Input Range})/\text{RMS Noise})$ ; peak-to-peak (p-p) bits are calculated as follows:  $\log_2((2 \times \text{Input Range})/(6.6 \times \text{RMS Noise}))$ .

**I<sup>2</sup>C TIMING SPECIFICATIONS**

The capacitive load for each I<sup>2</sup>C bus line (C<sub>B</sub>) is 400 pF maximum as per the I<sup>2</sup>C bus specifications. I<sup>2</sup>C timing is guaranteed by design, but is not production tested.

**Table 10. I<sup>2</sup>C Timing in Fast Mode (400 kHz)**

| Parameter        | Description  | Min                     | Max | Unit |
|------------------|--|-------------------------|-----|------|
| t <sub>L</sub>   | Serial clock (SCL) low pulse width                           | 1300                    |     | ns   |
| t <sub>H</sub>   | SCL high pulse width   | 600                     |     | ns   |
| t <sub>SHD</sub> | Start condition hold time                                    | 600                     |     | ns   |
| t <sub>DSU</sub> | Data setup time  | 100                     |     | ns   |
| t <sub>DHD</sub> | Data hold time   | 0                       |     | ns   |
| t <sub>RSU</sub> | Setup time for repeated start                                | 600                     |     | ns   |
| t <sub>PSU</sub> | Stop condition setup time                                    | 600                     |     | ns   |
| t <sub>BUF</sub> | Bus free time between a stop condition and a start condition | 1.3                     |     | μs   |
| t <sub>R</sub>   | Rise time for both SCL and serial data (SDA)                 | 20 + 0.1 C <sub>B</sub> | 300 | ns   |
| t <sub>F</sub>   | Fall time for both SCL and SDA                               | 20 + 0.1 C <sub>B</sub> | 300 | ns   |
| t <sub>SUP</sub> | Pulse width of suppressed spike                              | 0                       | 50  | ns   |

**Table 11. I<sup>2</sup>C Timing in Standard Mode (100 kHz)**

| Parameter        | Description  | Min | Max | Unit |
|------------------|--|-----|-----|------|
| t <sub>L</sub>   | SCL low pulse width  | 4.7 |     | μs   |
| t <sub>H</sub>   | SCL high pulse width   | 4.0 |     | ns   |
| t <sub>SHD</sub> | Start condition hold time                                    | 4.7 |     | μs   |
| t <sub>DSU</sub> | Data setup time  | 250 |     | ns   |
| t <sub>DHD</sub> | Data hold time   | 0   |     | μs   |
| t <sub>RSU</sub> | Setup time for repeated start                                | 4.0 |     | μs   |
| t <sub>PSU</sub> | Stop condition setup time                                    | 4.0 |     | μs   |
| t <sub>BUF</sub> | Bus free time between a stop condition and a start condition | 4.7 |     | μs   |
| t <sub>R</sub>   | Rise time for both SCL and SDA                               |     | 1   | μs   |
| t <sub>F</sub>   | Fall time for both SCL and SDA                               |     | 300 | ns   |

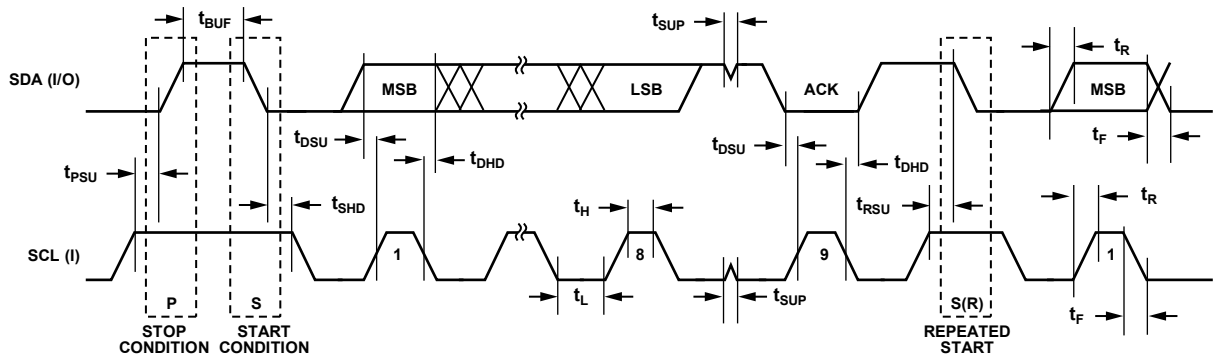


Figure 3. I<sup>2</sup>C-Compatible Interface Timing

09743-002

SPI TIMING SPECIFICATIONS

Table 12. SPI Master Mode Timing

| Parameter  | Description  | Min                            | Typ                            | Max  | Unit |
|------------|--|--------------------------------|--------------------------------|------|------|
| $t_{SL}$   | SCLK low pulse width <sup>1</sup>                    |                                | $(SPIDIV + 1) \times t_{UCLK}$ |      | ns   |
| $t_{SH}$   | SCLK high pulse width <sup>1</sup>                   |                                | $(SPIDIV + 1) \times t_{UCLK}$ |      | ns   |
| $t_{DAV}$  | Data output valid after SCLK edge                    |                                | 0                              | 35.5 | ns   |
| $t_{DOSU}$ | Data output setup time before SCLK edge <sup>1</sup> | $(SPIDIV + 1) \times t_{UCLK}$ |                                |      | ns   |
| $t_{DSU}$  | Data input setup time before SCLK edge               | 58.7                           |                                |      | ns   |
| $t_{DHD}$  | Data input hold time after SCLK edge                 | 16                             |                                |      | ns   |
| $t_{DF}$   | Data output fall time                                |                                | 12                             | 35.5 | ns   |
| $t_{DR}$   | Data output rise time                                |                                | 12                             | 35.5 | ns   |
| $t_{SR}$   | SCLK rise time                                       |                                | 12                             | 35.5 | ns   |
| $t_{SF}$   | SCLK fall time                                       |                                | 12                             | 35.5 | ns   |

<sup>1</sup>  $t_{UCLK} = 62.5$  ns. It corresponds to the internal 16 MHz clock before the clock divider.

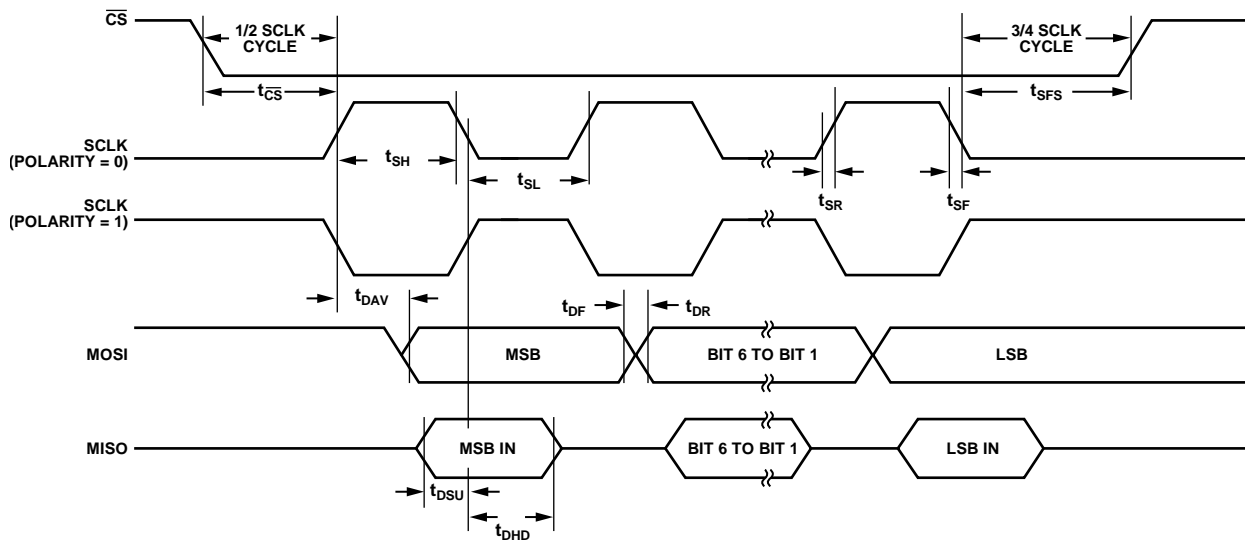


Figure 4. SPI Master Mode Timing (Phase Mode = 1)

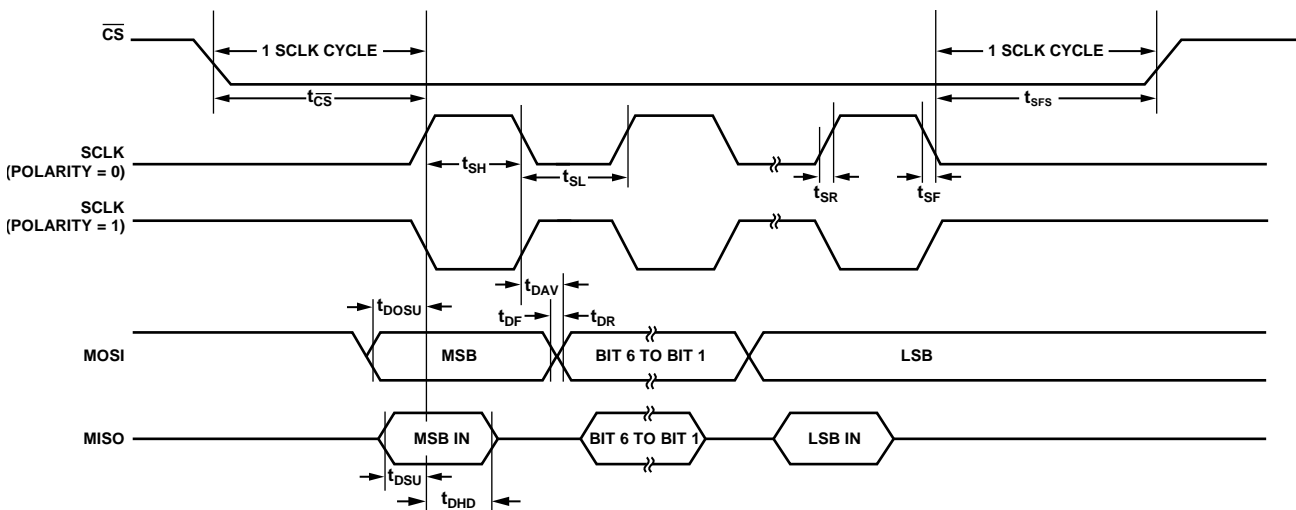


Figure 5. SPI Master Mode Timing (Phase Mode = 0)

Table 13. SPI Slave Mode Timing

| Parameter           | Description                                  | Min  | Typ                            | Max  | Unit |
|---------------------|--|------|--------------------------------|------|------|
| $t_{\overline{CS}}$ | $\overline{CS}$ to SCLK edge                 | 62.5 |                                |      | ns   |
| $t_{SL}$            | SCLK low pulse width <sup>1</sup>            |      | $(SPIDIV + 1) \times t_{uCLK}$ |      | ns   |
| $t_{SH}$            | SCLK high pulse width <sup>1</sup>           | 62.5 | $(SPIDIV + 1) \times t_{uCLK}$ |      | ns   |
| $t_{DAV}$           | Data output valid after SCLK edge            |      |                                | 49.1 | ns   |
| $t_{DSU}$           | Data input setup time before SCLK edge       | 20.2 |                                |      | ns   |
| $t_{DHD}$           | Data input hold time after SCLK edge         | 10.1 |                                |      | ns   |
| $t_{DF}$            | Data output fall time                        |      | 12                             | 35.5 | ns   |
| $t_{DR}$            | Data output rise time                        |      | 12                             | 35.5 | ns   |
| $t_{SR}$            | SCLK rise time                               |      | 12                             | 35.5 | ns   |
| $t_{SF}$            | SCLK fall time                               |      | 12                             | 35.5 | ns   |
| $t_{DOCS}$          | Data output valid after $\overline{CS}$ edge |      |                                | 25   | ns   |
| $t_{SFS}$           | $\overline{CS}$ high after SCLK edge         | 0    |                                |      | ns   |

<sup>1</sup>  $t_{uCLK} = 62.5$  ns. It corresponds to the internal 16 MHz clock before the clock divider.

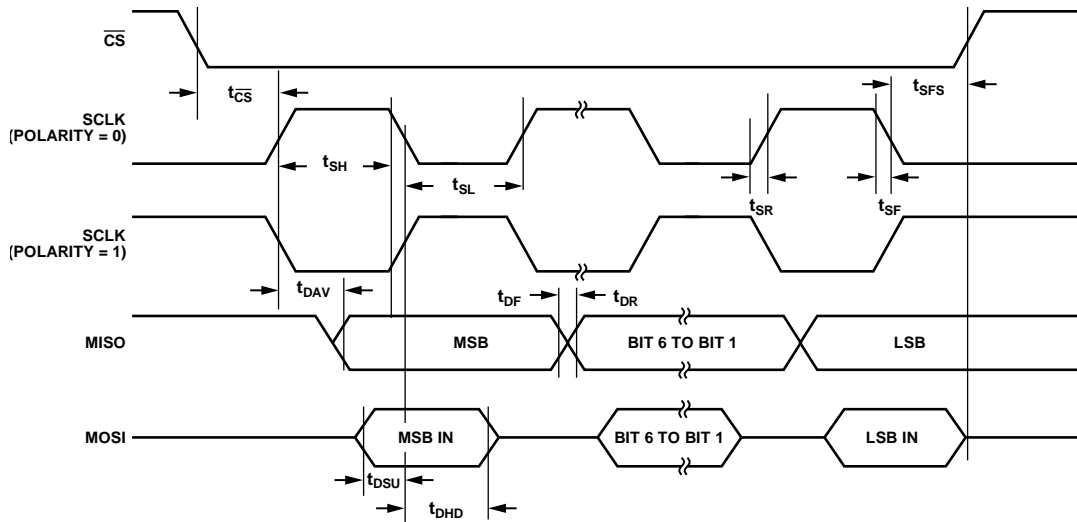


Figure 6. SPI Slave Mode Timing (Phase Mode = 1)

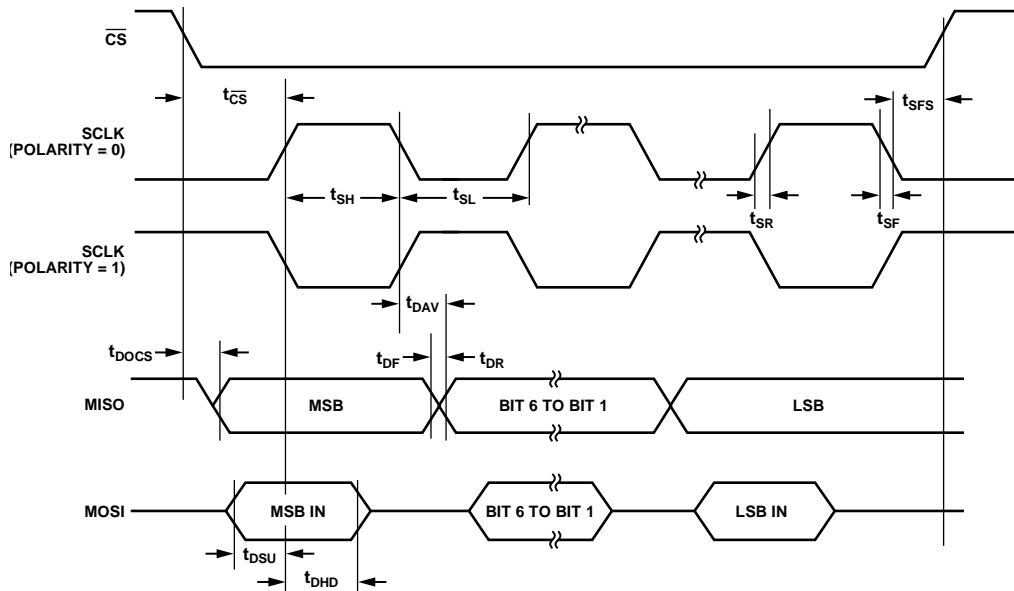


Figure 7. SPI Slave Mode Timing (Phase Mode = 0)

## ABSOLUTE MAXIMUM RATINGS

Table 14.

| Parameter                                  | Rating            |
|--|-------------------|
| AVDD to AGND                               | -0.3 V to +3.96 V |
| IOVDD to DGND                              | -0.3 V to +3.96 V |
| AGND to DGND                               | -0.3 V to +0.3 V  |
| AVDD to DVDD                               | -0.3 V to +0.3 V  |
| Digital Input Voltage to DGND              | -0.3 V to +3.96 V |
| Digital Output Voltage to DGND             | -0.3 V to +3.96 V |
| Analog Inputs to AGND                      | -0.3 V to +3.96 V |
| Operating Temperature Range                | -40°C to +125°C   |
| Storage Temperature Range                  | -65°C to +150°C   |
| Junction Temperature                       | 150°C             |
| ESD Rating, All Pins                       |                   |
| Human Body Model (HBM)                     | ±2 kV             |
| Field-Induced Charged Device Model (FICDM) | ±1 kV             |
| Peak Solder Reflow Temperature             |                   |
| SnPb Assemblies (10 sec to 30 sec)         | 240°C             |
| Pb-Free Assemblies (20 sec to 40 sec)      | 260°C             |

Stresses at or above those listed under Absolute Maximum Ratings may cause permanent damage to the product. This is a stress rating only; functional operation of the product at these or any other conditions above those indicated in the operational section of this specification is not implied. Operation beyond the maximum operating conditions for extended periods may affect product reliability.

## THERMAL RESISTANCE

$\theta_{JA}$  is specified for the worst-case conditions, that is, a device soldered in a circuit board for surface-mount packages.

Table 15. Thermal Resistance

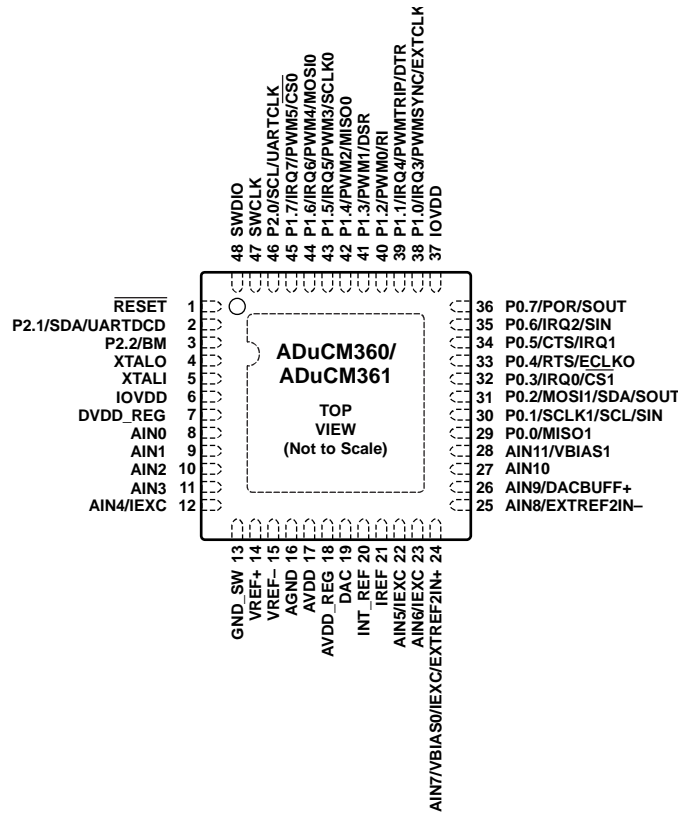
| Package Type     | $\theta_{JA}$ | Unit |
|------------------|---------------|------|
| 48-Lead LFCSP_WQ | 27            | °C/W |

## ESD CAUTION



**ESD (electrostatic discharge) sensitive device.** Charged devices and circuit boards can discharge without detection. Although this product features patented or proprietary protection circuitry, damage may occur on devices subjected to high energy ESD. Therefore, proper ESD precautions should be taken to avoid performance degradation or loss of functionality.

# PIN CONFIGURATION AND FUNCTION DESCRIPTIONS



**NOTES**  
 1. THE LFCSP HAS AN EXPOSED PAD THAT MUST BE SOLDERED TO A METAL PLATE ON THE PCB FOR MECHANICAL REASONS AND TO DGND.

Figure 8. Pin Configuration

Table 16. Pin Function Descriptions

| Pin No. | Mnemonic         | Description  |
|---------|------------------|--|
| 1       | RESET            | Reset Pin, Active Low Input. An internal pull-up is provided.  |
| 2       | P2.1/SDA/UARTDCD | General-Purpose Input/Output P2.1/I <sup>2</sup> C Serial Data Pin/UART Data Carrier Detect Pin.   |
| 3       | P2.2/BM          | General-Purpose Input/Output P2.2/Boot Mode Input Select Pin. When this pin is held low during and for a short time after any reset sequence, the part enters UART download mode.  |
| 4       | XTALO            | External Crystal Oscillator Output Pin. Optional 32.768 kHz source for real-time clock.  |
| 5       | XTALI            | External Crystal Oscillator Input Pin. Optional 32.768 kHz source for real-time clock.   |
| 6       | IOVDD            | Digital System Supply Pin. This pin must be connected to DGND via a 0.1 μF capacitor.  |
| 7       | DVDD_REG         | This pin must be connected to DGND via a 470 nF capacitor and to Pin 18, AVDD_REG.   |
| 8       | AIN0             | ADC Analog Input 0. This pin can be configured as a positive or negative input to either ADC in differential or single-ended mode.   |
| 9       | AIN1             | ADC Analog Input 1. This pin can be configured as a positive or negative input to either ADC in differential or single-ended mode.   |
| 10      | AIN2             | ADC Analog Input 2. This pin can be configured as a positive or negative input to either ADC in differential or single-ended mode.   |
| 11      | AIN3             | ADC Analog Input 3. This pin can be configured as a positive or negative input to either ADC in differential or single-ended mode.   |
| 12      | AIN4/IEXC        | ADC Analog Input 4/Excitation Current Source. This pin can be configured as a positive or negative input to either ADC in differential or single-ended mode (AIN4). This pin can also be configured as the output pin for Excitation Current Source 0 or Excitation Current Source 1 (IEXC). |
| 13      | GND_SW           | Sensor Power Switch to Analog Ground Reference.  |

| Pin No. | Mnemonic                    | Description   |
|---------|-----------------------------|---|
| 14      | VREF+                       | External Reference Positive Input. An external reference can be applied between the VREF+ and VREF– pins.   |
| 15      | VREF–                       | External Reference Negative Input. An external reference can be applied between the VREF+ and VREF– pins.   |
| 16      | AGND                        | Analog System Ground Reference Pin.   |
| 17      | AVDD                        | Analog System Supply Pin. This pin must be connected to AGND via a 0.1 $\mu$ F capacitor.   |
| 18      | AVDD_REG                    | Internal Analog Regulator Supply Output. This pin must be connected to AGND via a 470 nF capacitor and to Pin 7, DVDD_REG.  |
| 19      | DAC                         | DAC Voltage Output.   |
| 20      | INT_REF                     | Internal Reference. This pin must be connected to ground via a 470 nF decoupling capacitor.   |
| 21      | IREF                        | Optional Reference Current Resistor Connection for the Excitation Current Sources. The reference current used for the excitation current sources is set by a low drift (5 ppm/°C) external resistor connected to this pin.  |
| 22      | AIN5/IEXC                   | ADC Analog Input 5/Excitation Current Source. This pin can be configured as a positive or negative input to either ADC in differential or single-ended mode (AIN5). This pin can also be configured as the output pin for Excitation Current Source 0 or Excitation Current Source 1 (IEXC).  |
| 23      | AIN6/IEXC                   | ADC Analog Input 6/Excitation Current Source. This pin can be configured as a positive or negative input to either ADC in differential or single-ended mode (AIN6). This pin can also be configured as the output pin for Excitation Current Source 0 or Excitation Current Source 1 (IEXC).  |
| 24      | AIN7/VBIAS0/IEXC/EXTREF2IN+ | ADC Analog Input 7/Bias Voltage Output/Excitation Current Source/External Reference 2 Positive Input. This pin can be configured as a positive or negative input to either ADC in differential or single-ended mode (AIN7). This pin can also be configured as an analog output pin to generate a bias voltage, VBIAS0 of AVDD_REG/2 (VBIAS0); as the output pin for Excitation Current Source 0 or Excitation Current Source 1 (IEXC); or as the positive input for External Reference 2 (EXTREF2IN+). |
| 25      | AIN8/EXTREF2IN–             | ADC Analog Input 8/External Reference 2 Negative Input. This pin can be configured as a positive or negative input to either ADC in differential or single-ended mode (AIN8). This pin can also be configured as the negative input for External Reference 2 (EXTREF2IN–).  |
| 26      | AIN9/DACBUFF+               | ADC Analog Input 9/Noninverting Input to the DAC Output Buffer. This pin can be configured as a positive or negative input to either ADC in differential or single-ended mode (AIN9). This pin can also be configured as the noninverting input to the DAC output buffer when the DAC is configured for NPN mode (DACBUFF+).  |
| 27      | AIN10                       | ADC Analog Input 10. This pin can be configured as a positive or negative input to either ADC in differential or single-ended mode.   |
| 28      | AIN11/VBIAS1                | ADC Analog Input 11/Bias Voltage Output. This pin can be configured as a positive or negative input to either ADC in differential or single-ended mode (AIN11). This pin can also be configured as an analog output pin to generate a bias voltage, VBIAS1 of AVDD_REG/2 (VBIAS1).  |
| 29      | P0.0/MISO1                  | General-Purpose Input/Output P0.0/SPI1 Master Input, Slave Output Pin.  |
| 30      | P0.1/SCLK1/SCL/SIN          | General-Purpose Input/Output P0.1/SPI1 Serial Clock Pin/I <sup>2</sup> C Serial Clock Pin/UART Serial Input (Data Input for the UART Downloader).   |
| 31      | P0.2/MOSI1/SDA/SOUT         | General-Purpose Input/Output P0.2/SPI1 Master Output, Slave Input Pin/I <sup>2</sup> C Serial Data Pin/UART Serial Output (Data Output for the UART Downloader).  |
| 32      | P0.3/IRQ0/ $\overline{CS1}$ | General-Purpose Input/Output P0.3/External Interrupt Request 0/SPI1 Chip Select Pin (Active Low).   |
| 33      | P0.4/RTS/ECLKO              | General-Purpose Input/Output P0.4/UART Request-to-Send Signal/External Clock Output Pin for Test Purposes.  |
| 34      | P0.5/CTS/IRQ1               | General-Purpose Input/Output P0.5/UART Clear-to-Send Signal/External Interrupt Request 1.   |
| 35      | P0.6/IRQ2/SIN               | General-Purpose Input/Output P0.6/External Interrupt Request 2/UART Serial Input. Not used by UART downloader.  |
| 36      | P0.7/POR/SOUT               | General-Purpose Input/Output P0.7/Power-On Reset Pin (Active High)/UART Serial Output. Not used by UART downloader.   |
| 37      | IOVDD                       | Digital System Supply Pin. This pin must be connected to DGND via a 0.1 $\mu$ F capacitor.  |
| 38      | P1.0/IRQ3/PWMSYNC/EXTCLK    | General-Purpose Input/Output P1.0/External Interrupt Request 3/PWM External Synchronization Input/External Clock Input Pin.   |
| 39      | P1.1/IRQ4/PWMTRIP/DTR       | General-Purpose Input/Output P1.1/External Interrupt Request 4/PWM External Trip Input/UART Data Terminal Ready Pin.  |
| 40      | P1.2/PWM0/RI                | General-Purpose Input/Output P1.2/PWM0 Output/UART Ring Indicator Pin.  |
| 41      | P1.3/PWM1/DSR               | General-Purpose Input/Output P1.3/PWM1 Output/UART Data Set Ready Pin.  |
| 42      | P1.4/PWM2/MISO0             | General-Purpose Input/Output P1.4/PWM2 Output/SPI0 Master Input, Slave Output Pin.  |

| Pin No. | Mnemonic                         | Description   |
|---------|----------------------------------|---|
| 43      | P1.5/IRQ5/PWM3/SCLK0             | General-Purpose Input/Output P1.5/External Interrupt Request 5/PWM3 Output/SPI0 Serial Clock Pin.                               |
| 44      | P1.6/IRQ6/PWM4/MOSIO             | General-Purpose Input/Output P1.6/External Interrupt Request 6/PWM4 Output/SPI0 Master Output, Slave Input Pin.                 |
| 45      | P1.7/IRQ7/PWM5/ $\overline{CS0}$ | General-Purpose Input/Output P1.7/External Interrupt Request 7/PWM5 Output/SPI0 Chip Select Pin (Active Low).                   |
| 46      | P2.0/SCL/UARTCLK                 | General-Purpose Input/Output P2.0/I <sup>2</sup> C Serial Clock Pin/Input Clock Pin for UART Block Only.                        |
| 47      | SWCLK                            | Serial Wire Debug Clock Input Pin.  |
| 48      | SWDIO                            | Serial Wire Debug Data Input/Output Pin.  |
|         | EP                               | Exposed Pad. The LFCSP has an exposed pad that must be soldered to a metal plate on the PCB for mechanical reasons and to DGND. |

TYPICAL PERFORMANCE CHARACTERISTICS

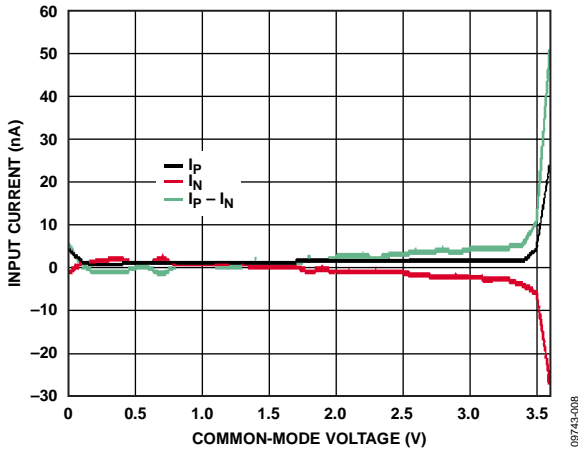


Figure 9. Input Current vs. Common-Mode Voltage ( $V_{CM}$ ), Gain = 4, ADC Input = 250 mV, AVDD = 3.6 V,  $T_A = 25^\circ\text{C}$ ,  $V_{CM} = ((AIN+) + (AIN-))/2$

09743-008

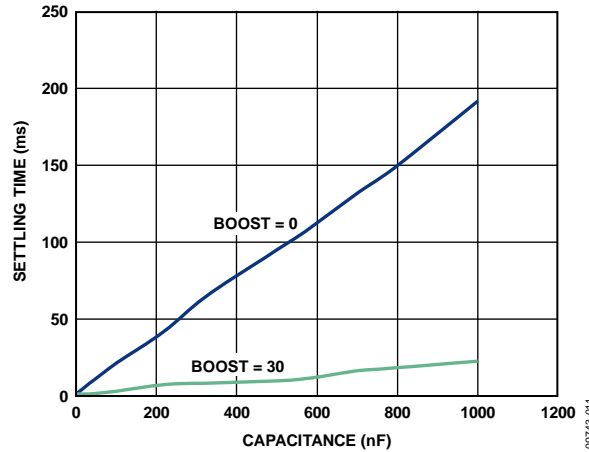


Figure 12. VBIAS Output Settling Time vs. Load Capacitance,  $T_A = 25^\circ\text{C}$ , IOVDD and AVDD = 3.3 V

09743-011

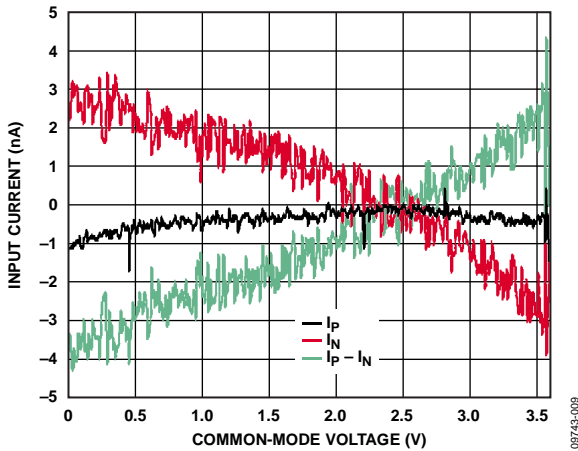


Figure 10. Input Current vs. Common-Mode Voltage ( $V_{CM}$ ), Gain = 128, ADC Input = 7.8125 mV, AVDD = 3.6 V,  $T_A = 25^\circ\text{C}$ ,  $V_{CM} = ((AIN+) + (AIN-))/2$

09743-009

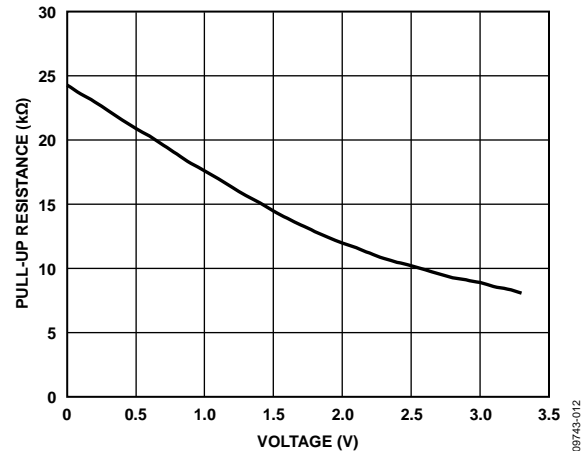


Figure 13. Digital Input Pin Pull-Up Resistance Value vs. Voltage Applied to Digital Pin,  $T_A = 25^\circ\text{C}$ , IOVDD = 3.4 V

09743-012

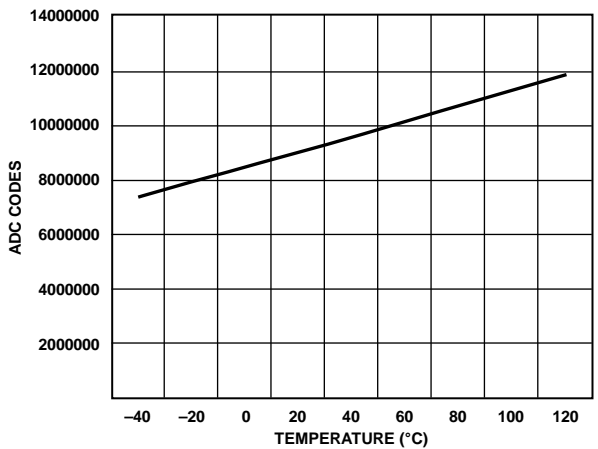


Figure 11. ADC Codes (Decimal Values) vs. Die Temperature Measurements are for the Temperature Sensor Only

09743-010

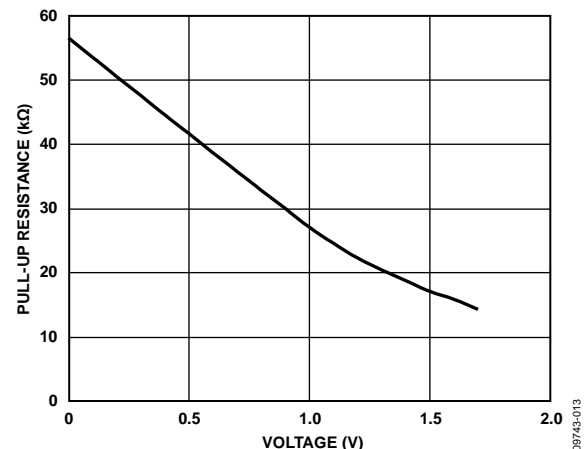


Figure 14. Digital Input Pin Pull-Up Resistance Value vs. Voltage Applied to Digital Pin,  $T_A = 25^\circ\text{C}$ , IOVDD = 1.8 V

09743-013

# TYPICAL SYSTEM CONFIGURATION

Figure 15 shows a typical ADuCM360/ADuCM361 configuration. This figure illustrates some of the hardware considerations. The bottom of the LFCSP package has an exposed pad that must be soldered to a metal plate on the PCB for mechanical reasons and to DGND. The metal plate of the PCB can be connected to ground. The 0.47  $\mu\text{F}$  capacitor on the AVDD\_REG and DVDD\_REG pins should be placed as close to the pins as possible. In noisy environments, an additional 1 nF capacitor can be added to IOVDD and AVDD.

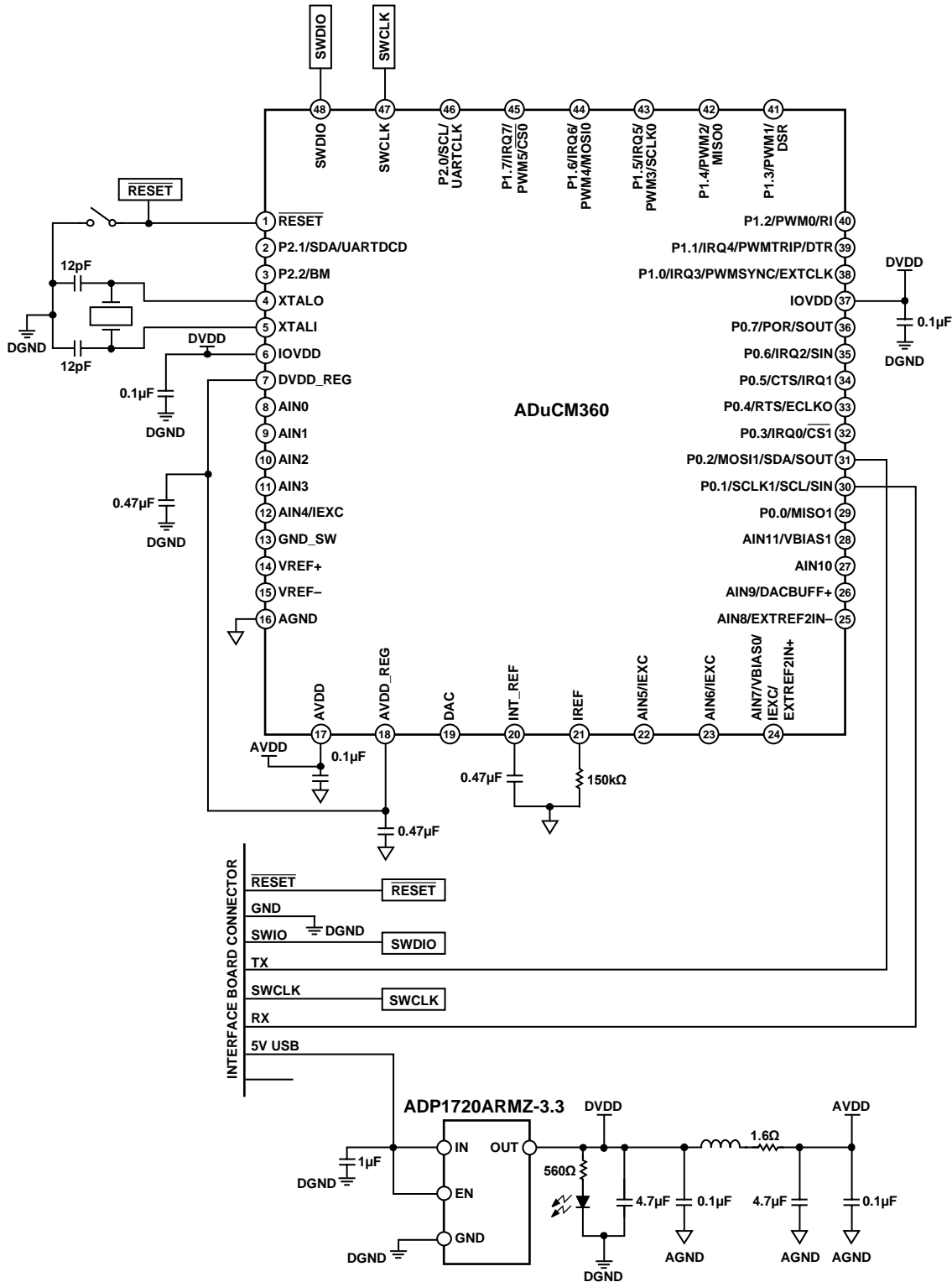
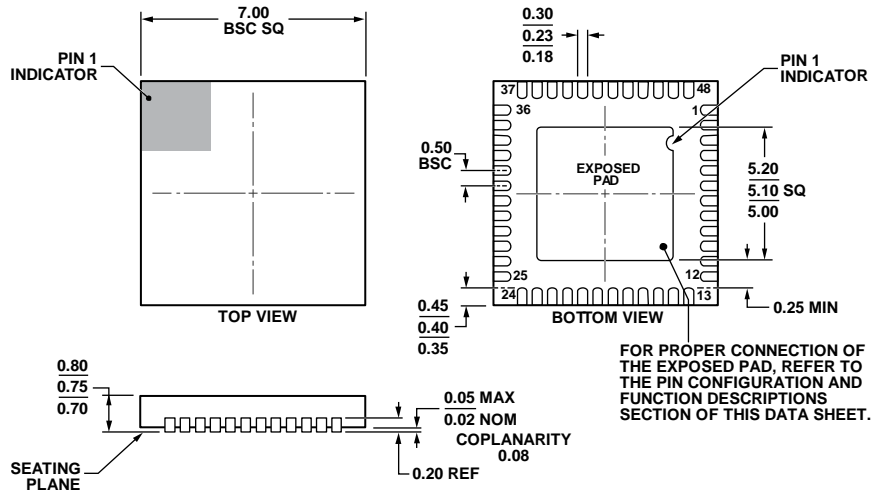


Figure 15. Typical System Configuration

OUTLINE DIMENSIONS



COMPLIANT TO JEDEC STANDARDS MO-220-WKKD.

Figure 16. 48-Lead Lead Frame Chip Scale Package [LFCSP\_WQ]  
 7 mm × 7 mm Body, Very Very Thin Quad  
 (CP-48-4)  
 Dimensions shown in millimeters

112408B

ORDERING GUIDE

| Model <sup>1</sup> | ADCs          | Flash/SRAM  | Temperature Range | Package Description                         | Package Option | Ordering Quantity |
|--------------------|---------------|-------------|-------------------|---|----------------|-------------------|
| ADuCM360BCPZ128    | Dual 24-Bit   | 128 kB/8 kB | -40°C to +125°C   | 48-Lead LFCSP_WQ                            | CP-48-4        | 750               |
| ADuCM360BCPZ128-R7 | Dual 24-Bit   | 128 kB/8 kB | -40°C to +125°C   | 48-Lead LFCSP_WQ                            | CP-48-4        |                   |
| ADuCM361BCPZ128    | Single 24-Bit | 128 kB/8 kB | -40°C to +125°C   | 48-Lead LFCSP_WQ                            | CP-48-4        | 750               |
| ADuCM361BCPZ128-R7 | Single 24-Bit | 128 kB/8 kB | -40°C to +125°C   | 48-Lead LFCSP_WQ                            | CP-48-4        |                   |
| EVAL-ADuCM360QSPZ  |               |             |                   | ADuCM360 QuickStart Plus Development System |                |                   |

<sup>1</sup> Z = RoHS Compliant Part.

<sup>1</sup>C refers to a communications protocol originally developed by Philips Semiconductors (now NXP Semiconductors).

## Looking for pricing, stock, or lifecycle information?

Click below to explore more details on WIN SOURCE:

 [View ADUCM360BCPZ128 on WIN SOURCE](#)

 [Analog Devices Inc. Information](#)

## Optimize Your Supply Chain with WIN SOURCE Solutions

-  Global Sourcing Solution
-  Obsolete Management
-  Cost Control Management
-  Shortage Management
-  Alternative Solution
-  Excess Inventory Management