



**THE DATASHEET OF
ACPM-7620-TR1**



ACPM-7620

Multiband Multimode PA Quad-Band GSM/EDGE and Multi Mode B1/B2/B3/B4/B5(26)/B8/B20/B34/B39

Product Brief

Description

The ACPM- 7620 is a multiband, multimode PA (power amplifier) that supports GMSK and 8-PSK modulation schemes and UMTS/LTE bands 1, 2/25, 3, 4, 5/26, 8, and 20. The ACPM-7620 supports both the ET (envelope tracking) and APT (average power tracking) operations.

Input and output terminals are internally matched to 50 ohms. The power amplifier is manufactured on an advanced InGaP HBT technology that offers state-of-the-art reliability, temperature stability, and ruggedness. This module is housed in a cost effective, extremely small and thin 5 mm × 7 mm package.

Features

- Quad-band GSM/EDGE
- UMTS/LTE B1, B2/25, B3, B4, B5/26, B8, and B20
- TD-SCDMA B34/B39 and TD-LTE B39
- Compatible with MIPI RFFE
- Small size (7 mm × 5 mm)
- Excellent linearity
- High efficiency
- Bias (quiescent current) control by MIPI RFFE
- Forty-two-pin surface mounting package
- Internal 50-ohm matching networks for both RF input and output
- Green – Lead-free and RoHS compliant

Application

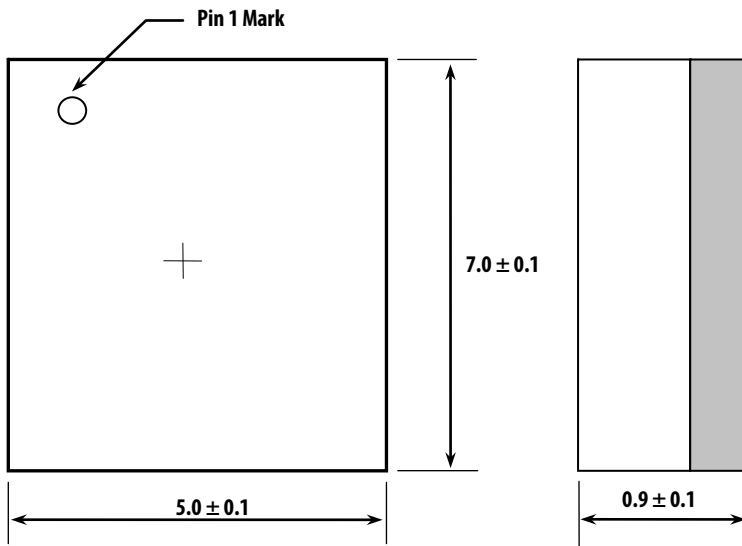
- GSM850/900, DCS1800/PCS1900
- UMTS/LTE B1
- UMTS/LTE B2, LTE B25, C2K BC1
- UMTS/LTE B3
- UMTS/LTE B4
- UMTS/LTE B5, LTE B26, C2K BC0
- UMTS/LTE B8
- LTE B20

Ordering Information

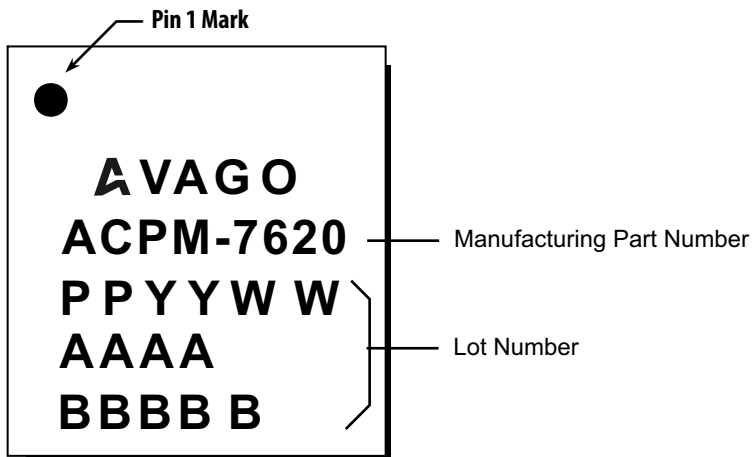
| Part Number | Number of Devices | Container | Description |
|---------------|-------------------|--------------------------|-------------|
| ACPM-7620-TR1 | 1,000 | 178 mm (7 in.) tape/reel | ET and APT |

Package Dimensions

The dimensions are in millimeters.



Marking Specification



Pin Description

| | | | | | | | | | | |
|------------|----|-----|-----|-----|-----|-----|-----|-----|----|--------------|
| | | GND | GND | GND | GND | GND | NC | GND | | |
| RFIN B1_B2 | 1 | 42 | 41 | 40 | 39 | 38 | 37 | 36 | 35 | RFOUT B1 |
| RFIN B3_B4 | 2 | | | | | | | | 34 | RFOUT B3 |
| RFIN B26 | 3 | | | | | | | | 33 | RFOUT B4 |
| RFIN B5_B8 | 4 | | | | | | | | 32 | RFOUT B2 |
| RF_In_B20 | 5 | | | | | | | | 31 | RFOUT B5_B26 |
| VIO | 6 | | | | | | | | 30 | RF_Out_B20 |
| GND | 7 | | | | | | | | 29 | RFOUT B8 |
| SCLK | 8 | | | | | | | | 28 | VCC13G |
| SDATA | 9 | | | | | | | | 27 | VCC23G |
| GND | 10 | | | | | | | | 26 | VCC GSM |
| VBATT | 11 | | | | | | | | 25 | GND |
| GND | 12 | | | | | | | | 24 | RFOUT 2G HB |
| RFIN 2G HB | 13 | | | | | | | | 23 | GND |
| RFIN 2G LB | 14 | 15 | 16 | 17 | 18 | 19 | 20 | 21 | 22 | RFOUT 2G LB |
| | | GND | GND | GND | GND | GND | GND | GND | | |

For product information and a complete list of distributors, please go to our web site:

www.avagotech.com

Avago, Avago Technologies, and the A logo are trademarks of Avago Technologies in the United States and other countries. All other brand and product names may be trademarks of their respective companies.

Data subject to change. Copyright © 2015 Avago Technologies. All Rights Reserved.

AV02-4875EN – 2015-03-24

AVAGO
TECHNOLOGIES



Looking for pricing, stock, or lifecycle information?

Click below to explore more details on WIN SOURCE:

-  [View ACPM-7620-TR1 on WIN SOURCE](#)
-  [Broadcom Limited Information](#)

Optimize Your Supply Chain with WIN SOURCE Solutions

-  Global Sourcing Solution
-  Obsolete Management
-  Cost Control Management
-  Shortage Management
-  Alternative Solution
-  Excess Inventory Management