



## PROSLIC<sup>®</sup> PROGRAMMABLE CMOS SLIC/CODEC WITH RINGING/BATTERY VOLTAGE GENERATION

### Features

- 100% programmable global solution
- Performs all BORSCHT functions
- DC-DC controller provides tracking battery from a 3.3–35V input (Si3210)
  - Minimizes power in all modes
  - Dynamic 0 to –94.5 V output
  - Choice of inductor (low cost) or transformer (high efficiency)
- Programmable line-feed parameters
  - 2-wire AC impedance and hybrid
  - Constant current feed (20 to 41 mA)
  - Loop closure and ring trip thresholds and filtering
- Internal balanced ringing up to 90V<sub>PK</sub>
  - 5 REN up to 4 kft; 3 REN up to 8 kft
  - Programmable frequency, amplitude, cadence, and wave shape
- Programmable audio processing
  - DTMF encoding and decoding
  - 12 kHz/16 kHz pulse metering
  - Phase-continuous FSK (caller ID)
  - Dual tone generators
- $\mu$ -Law/A-Law and linear PCM audio
- Extensive test and diagnostic features
  - Multiple loopback test modes
  - DC line V/I measurements
  - Supports GR-909 MLT
- Comprehensive design tools
  - Reference schematic and PCB layout
  - *ProSLIC API* abstracts SLIC functions, minimizing software development
- RoHS-compliant packages
- SPI and PCM bus digital interfaces

### Applications

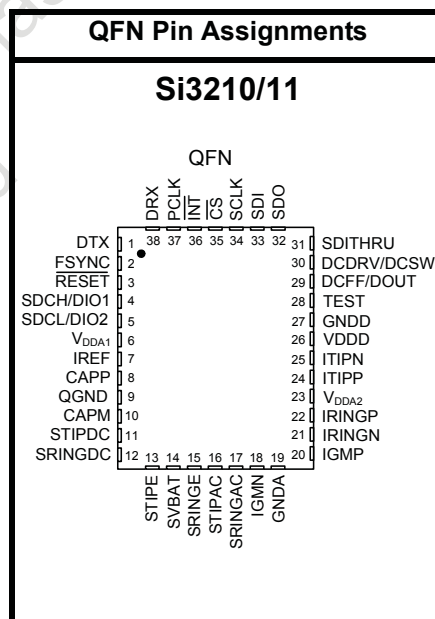
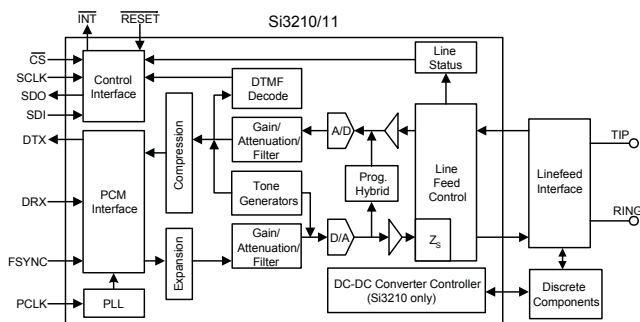
- Fixed Wireless (cellular) Terminals
- Terminal Adapters
- PBX/IP-PBX/Key telephone systems
- Voice-over-IP Systems:
  - DSL/EMTAs/FTTx
  - WiMax/LTE

### Description

The Si3210/11 ProSLIC<sup>®</sup> chipset provides a complete analog telephone interface ideal for customer premise equipment (CPE). It integrates a subscriber line interface circuit (SLIC), voice codec, and battery generation (Si3210) or battery selection (Si3211) into a single CMOS integrated circuit. The battery supply continuously adapts its output voltage to minimize power dissipation and enables the entire circuit to be powered from a single 3.3 or 5 V supply (Si3210). The CMOS ProSLIC interfaces to the line through either the Si3201 Line-feed IC or a discrete line-feed circuit.

Si3210/11 features include software-configurable 5 REN internal ringing up to 90 VPK, DTMF generation and decoding, Caller ID generation, and a comprehensive set of telephony signaling capabilities for global operation with a single hardware solution. The Si3210/11 is packaged in a 38-pin QFN or TSSOP, and the Si3201 is packaged in a thermally-enhanced 16-pin SOIC.

### Functional Block Diagram



U.S. Patent #6,567,521

U.S. Patent #6,812,744

## TABLE OF CONTENTS

<b>1. Electrical Specifications</b>	<b>3</b>
<b>2. Functional Description</b>	<b>30</b>
2.1. Linefeed Interface	30
2.2. Battery Voltage Generation and Switching	36
2.3. Tone Generation	40
2.4. Ringing Generation	43
2.5. Pulse Metering Generation	47
2.6. DTMF Detection	49
2.7. Audio Path	49
2.8. Two-Wire Impedance Matching	52
2.9. Clock Generation	52
2.10. Interrupt Logic	52
2.11. Serial Peripheral Interface	53
2.12. PCM Interface	56
2.13. Companding	57
<b>3. Control Registers</b>	<b>60</b>
<b>4. Indirect Registers</b>	<b>118</b>
4.1. DTMF Decoding	118
4.2. Oscillators	120
4.3. Digital Programmable Gain/Attenuation	122
4.4. SLIC Control	123
4.5. FSK Control	125
<b>5. Pin Descriptions: Si3210/11</b>	<b>126</b>
<b>6. Pin Descriptions: Si3201</b>	<b>129</b>
<b>7. Ordering Guide</b>	<b>130</b>
<b>8. Package Outlines and PCB Land Patterns</b>	<b>132</b>
8.1. 38-Pin QFN	132
8.2. 38-Pin TSSOP	136
8.3. 16-Pin ESOIC	138
<b>9. Product Identification</b>	<b>140</b>
9.1. Ordering Part Number	140
9.2. Marking Part Number	140
<b>10. Package Marking (Top Mark)</b>	<b>141</b>
10.1. QFN Package	141
10.2. TSSOP Package	142
10.3. SOIC (Si3201) Package	143
<b>Document Change List</b>	<b>144</b>
<b>Contact Information</b>	<b>148</b>

## 1. Electrical Specifications

**Table 1. Absolute Maximum Ratings and Thermal Information<sup>1</sup>**

Parameter	Symbol	Value	Unit
<b>Si3210/11</b>			
DC Supply Voltage	$V_{DD}, V_{DDA1}, V_{DDA2}$	-0.5 to 6.0	V
Input Current, Digital Input Pins	$I_{IN}$	$\pm 10$	mA
Digital Input Voltage	$V_{IND}$	-0.3 to ( $V_{DD} + 0.3$ )	V
Operating Temperature Range <sup>2</sup>	$T_A$	-40 to 100	C
Storage Temperature Range	$T_{STG}$	-40 to 150	C
TSSOP-38 Thermal Resistance, Typical	$\theta_{JA}$	70	C/W
QFN-38 Thermal Resistance, Typical	$\theta_{JA}$	35	C/W
Continuous Power Dissipation <sup>2</sup>	$P_D$	0.7	W
<b>Si3201</b>			
DC Supply Voltage	$V_{DD}$	-0.5 to 6.0	V
Battery Supply Voltage	$V_{BAT}$	-104	V
Input Voltage: TIP, RING, SRINGE, STIPE pins	$V_{INH}$	( $V_{BAT} - 0.3$ ) to ( $V_{DD} + 0.3$ )	V
Input Voltage: ITIPP, ITIPN, IRINGP, IRINGN pins	$V_{IN}$	-0.3 to ( $V_{DD} + 0.3$ )	V
Operating Temperature Range <sup>2</sup>	$T_A$	-40 to 100	C
Storage Temperature Range	$T_{STG}$	-40 to 150	C
SOIC-16 Thermal Resistance, Typical <sup>3</sup>	$\theta_{JA}$	55	C/W
Continuous Power Dissipation <sup>2</sup>	$P_D$	0.8 at 70 °C	W
		0.6 at 85 °C	
<b>Notes:</b>			
<ol style="list-style-type: none"> <li>Permanent device damage may occur if the absolute maximum ratings are exceeded. Functional operation should be restricted to the conditions as specified in the operational sections of this data sheet. Exposure to absolute maximum rating conditions for extended periods may affect device reliability.</li> <li>Operation above 125 °C junction temperature may degrade device reliability.</li> <li>Thermal resistance assumes a multi-layer PCB with the exposed pad soldered to a topside PCB pad.</li> </ol>			

# Si3210/Si3211

**Table 2. Recommended Operating Conditions**

Parameter	Symbol	Test Condition	Min*	Typ	Max*	Unit
Ambient Temperature	$T_A$	F-grade	0	25	70	°C
Ambient Temperature	$T_A$	G-grade	-40	25	85	°C
Si3210/11 Supply Voltage	$V_{DDD}, V_{DDA1}, V_{DDA2}$		3.13	3.3/5.0	5.25	V
Si3201 Supply Voltage	$V_{DD}$		3.13	3.3/5.0	5.25	V
Si3201 Battery Voltage	$V_{BAT}$	$V_{BATH} = V_{BAT}$	-96	—	-10	V

**\*Note:** All minimum and maximum specifications are guaranteed and apply across the recommended operating conditions. Typical values apply at nominal supply voltages and an operating temperature of 25 °C unless otherwise stated. Product specifications are only guaranteed for the typical application circuit (including component tolerances).

**Table 3. AC Characteristics**

( $V_{DDA}, V_{DDD} = 3.13$  to  $5.25$  V,  $T_A = 0$  to  $70$  °C for F-Grade,  $-40$  to  $85$  °C for G-Grade)

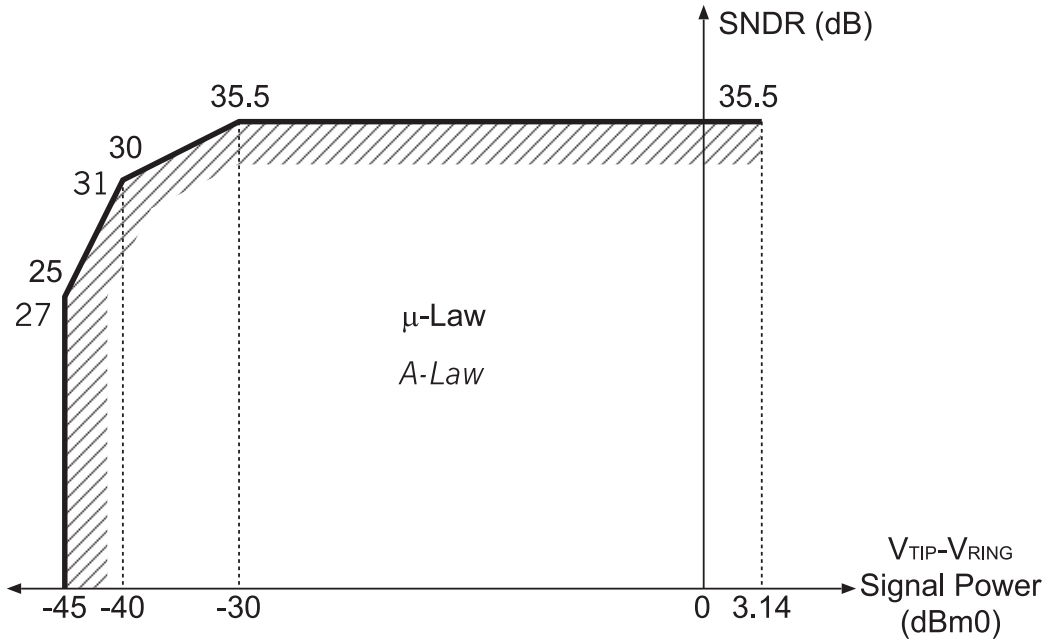
Parameter	Test Condition	Min	Typ	Max	Unit
<b>TX/RX Performance</b>					
Overload Level	THD = 1.5%	2.5	—	—	$V_{PK}$
Single Frequency Distortion <sup>1</sup>	2-wire – PCM or PCM – 2-wire: 200 Hz–3.4 kHz	—	—	-45	dB
Signal-to-(Noise + Distortion) Ratio <sup>2</sup>	200 Hz to 3.4 kHz D/A or A/D 8-bit Active off-hook, and OHT, any ZAC	Figure 1	—	—	
Audio Tone Generator Signal-to-Distortion Ratio <sup>2</sup>	0 dBm0, Active off-hook, and OHT, any Zac	45	—	—	dB
Intermodulation Distortion		—	—	-45	dB
Gain Accuracy <sup>2</sup>	2-wire to PCM, 1014 Hz	-0.5	0	0.5	dB
	PCM to 2-wire, 1014 Hz	-0.5	0	0.5	dB
Gain Accuracy over Frequency		Figure 3,4	—	—	
Group Delay over Frequency		Figure 5,6	—	—	
Gain Tracking <sup>3</sup>	1014 Hz sine wave, reference level -10 dBm signal level: 3 to -37 dB	-0.25	—	0.25	dB
	-37 to -50 dB	-0.5	—	0.5	dB
	-50 to -60 dB	-1.0	—	1.0	dB
Round-Trip Group Delay	at 1000 Hz	—	1100	—	µs
Gain Step Accuracy	-6 to +6 dB	-0.017	—	0.017	dB
Gain Variation with Temperature	All gain settings	-0.25	—	0.25	dB
Gain Variation with Supply	$V_{DDA} = V_{DDD} = 3.3/5$ V ±5%	-0.1	—	0.1	dB

**Table 3. AC Characteristics (Continued)**(V<sub>DDA</sub>, V<sub>DDD</sub> = 3.13 to 5.25 V, T<sub>A</sub> = 0 to 70 °C for F-Grade, –40 to 85 °C for G-Grade)

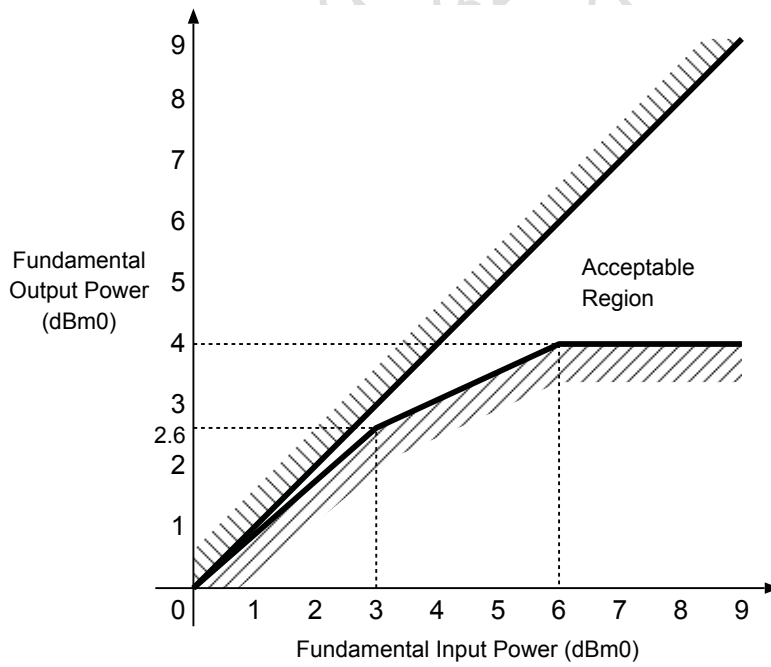
Parameter	Test Condition	Min	Typ	Max	Unit
2-Wire Return Loss	200 Hz to 3.4 kHz	30	35	—	dB
Transhybrid Balance	300 Hz to 3.4 kHz	30	—	—	dB
<b>Noise Performance</b>					
Idle Channel Noise <sup>4</sup>	C-Message Weighted	—	—	15	dBrnC
	Psophometric Weighted	—	—	–75	dBmP
	3 kHz flat	—	—	18	dBm
PSRR from VDDA	RX and TX, DC to 3.4 kHz	40	—	—	dB
PSRR from VDDD	RX and TX, DC to 3.4 kHz	40	—	—	dB
PSRR from VBAT	RX and TX, DC to 3.4 kHz	40	—	—	dB
<b>Longitudinal Performance</b>					
Longitudinal to Metallic or PCM Balance	200 Hz to 3.4 kHz, $\beta_{Q1,Q2} \geq 150$ , 1% mismatch	56	60	—	dB
	$\beta_{Q1,Q2} = 60$ to $240^5$	43	60	—	dB
	$\beta_{Q1,Q2} = 300$ to $800^5$	53	60	—	dB
	Using Si3201	53	60	—	dB
Metallic to Longitudinal Balance	200 Hz to 3.4 kHz	40	—	—	dB
Longitudinal Impedance	200 Hz to 3.4 kHz at TIP or RING Register selectable ETBO/ETBA				
	00	—	33	—	$\Omega$
	01	—	17	—	$\Omega$
	10	—	17	—	$\Omega$
Longitudinal Current per Pin	Active off-hook 200 Hz to 3.4 kHz Register selectable ETBO/ETBA				
	00	—	4	—	mA
	01	—	8	—	mA
	10	—	12	—	mA

**Notes:**

- The input signal level should be 0 dBm0 for frequencies greater than 100 Hz. For 100 Hz and below, the level should be –10 dBm0. The output signal magnitude at any other frequency will be smaller than the maximum value specified.
- Analog signal measured as  $V_{TIP} - V_{RING}$ . Assumes ideal line impedance matching.
- The quantization errors inherent in the  $\mu/A$ -law companding process can generate slightly worse gain tracking performance in the signal range of 3 to –37 dB for signal frequencies that are integer divisors of the 8 kHz PCM sampling rate.
- The level of any unwanted tones within the bandwidth of 0 to 4 kHz does not exceed –55 dBm.
- Assumes normal distribution of betas.



**Figure 1. Transmit and Receive Path SNDR**



**Figure 2. Overload Compression Performance**

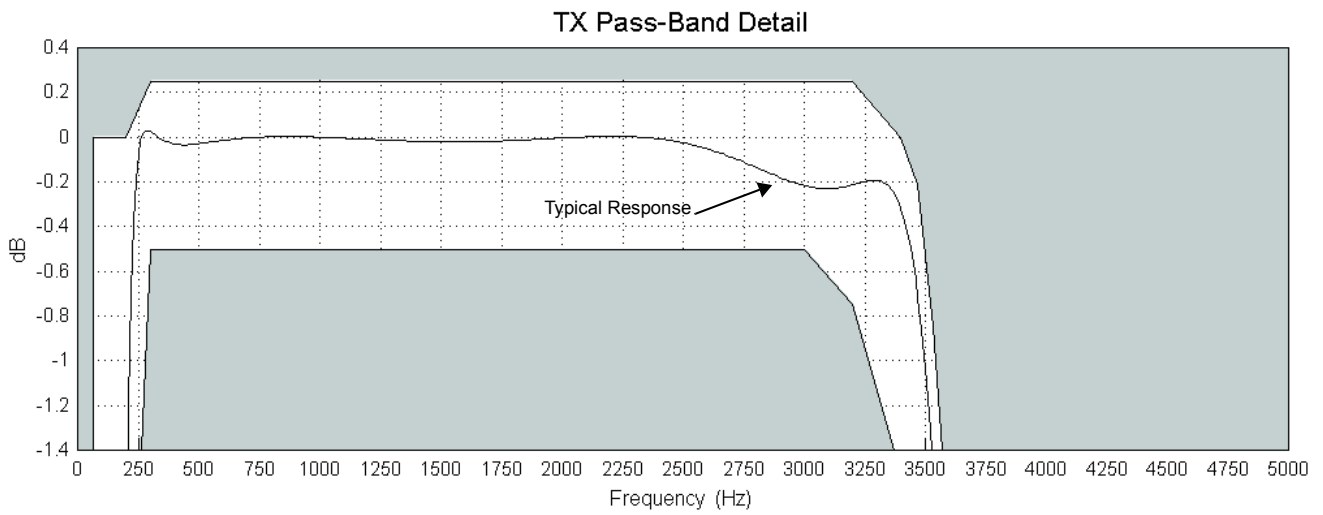
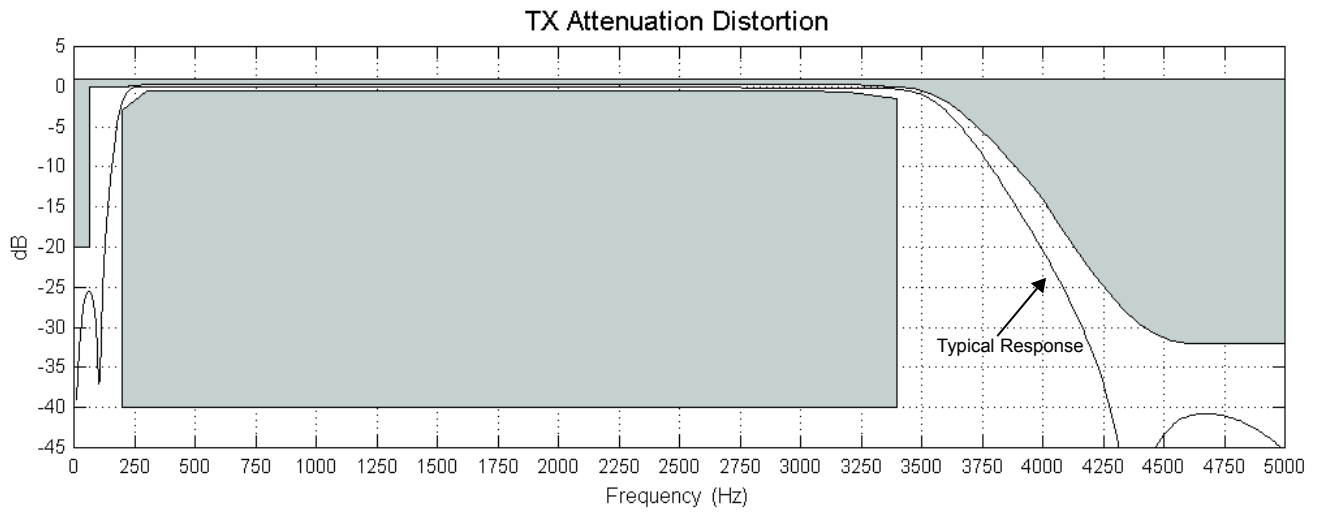


Figure 3. Transmit Path Frequency Response

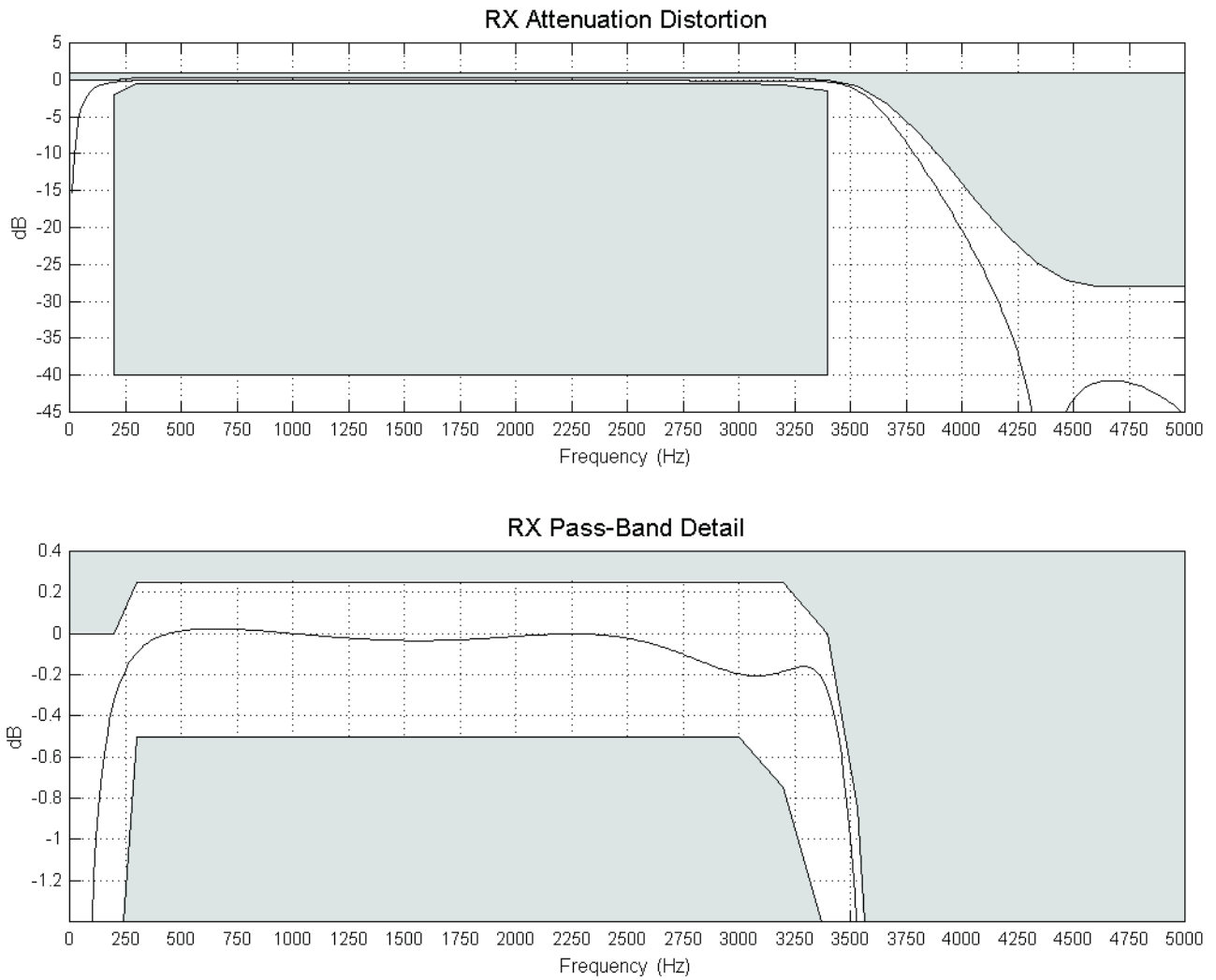
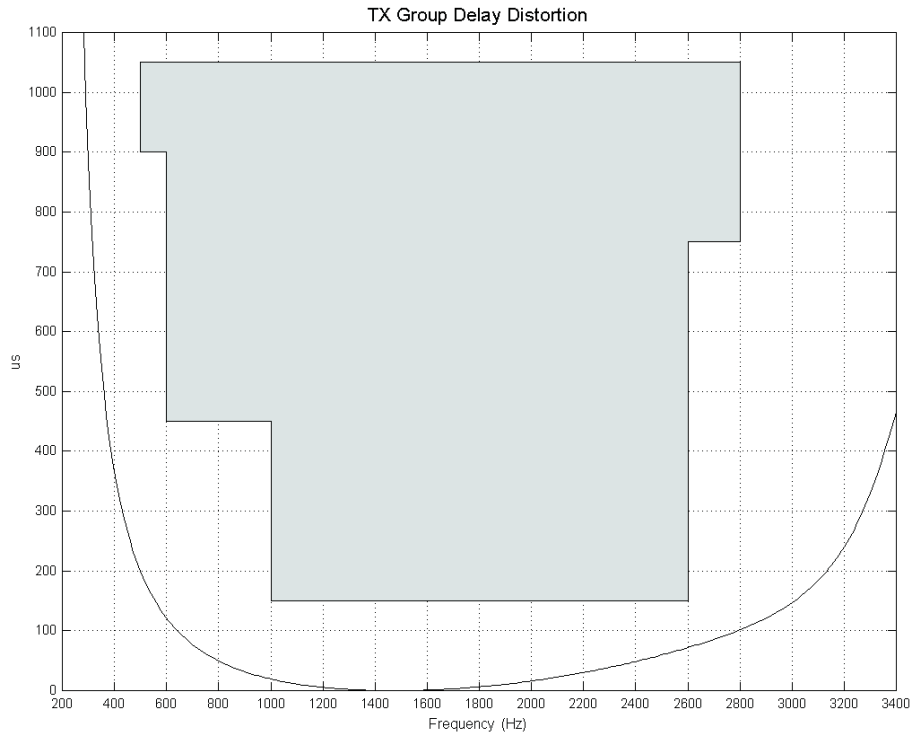
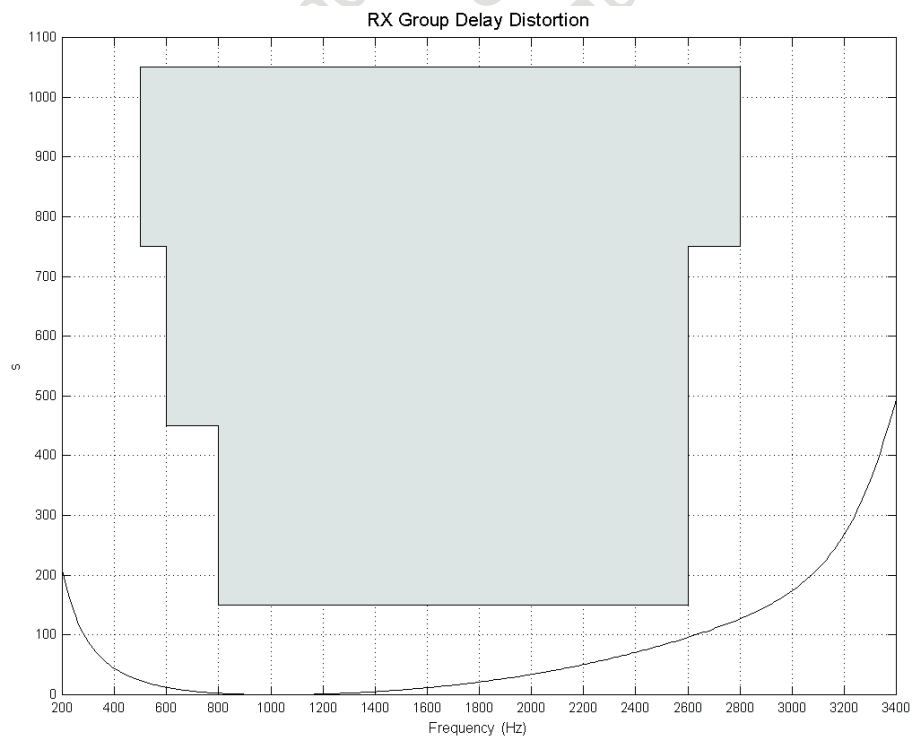


Figure 4. Receive Path Frequency Response



**Figure 5. Transmit Group Delay Distortion**



**Figure 6. Receive Group Delay Distortion**

# Si3210/Si3211

**Table 4. Linefeed Characteristics**

( $V_{DDA}$ ,  $V_{DDD} = 3.13$  to  $5.25$  V,  $T_A = 0$  to  $70^\circ\text{C}$  for F-Grade,  $-40$  to  $85^\circ\text{C}$  for G-Grade)

Parameter	Symbol	Test Condition	Min	Typ	Max	Unit
Loop Resistance Range*	$R_{LOOP}$	See *Note.	0	—	160	$\Omega$
DC Loop Current Accuracy		$I_{LIM} = 29$ mA, ETBA = 4 mA	-10	—	10	%
DC Open Circuit Voltage Accuracy		Active Mode; $V_{OC} = 48$ V, $V_{TIP} - V_{RING}$	-4	—	4	V
DC Differential Output Resistance	$R_{DO}$	$I_{LOOP} < I_{LIM}$	—	160	—	$\Omega$
DC Open Circuit Voltage—Ground Start	$V_{OCTO}$	$I_{RING} < I_{LIM}$ ; $V_{RING}$ wrt ground $V_{OC} = 48$ V	-4	—	4	V
DC Output Resistance—Ground Start	$R_{ROTO}$	$I_{RING} < I_{LIM}$ ; RING to ground	—	160	—	$\Omega$
DC Output Resistance—Ground Start	$R_{TOTO}$	TIP to ground	150	—	—	k $\Omega$
Loop Closure/Ring Ground Detect Threshold Accuracy		$I_{THR} = 11.43$ mA	-20	—	20	%
Ring Trip Threshold Accuracy		$I_{THR} = 40.64$ mA	-10	—	10	%
Ring Trip Response Time		User Programmable Register 70 and Indirect Register 36	—	—	—	
Ring Amplitude	$V_{TR}$	5 REN load; sine wave; $R_{LOOP} = 160$ $\Omega$ , $V_{BAT} = -75$ V	44	—	—	$V_{rms}$
Ring DC Offset	$R_{OS}$	Programmable in Indirect Register 19	0	—	—	V
Trapezoidal Ring Crest Factor Accuracy		Crest factor = 1.3	-0.05	—	.05	
Sinusoidal Ring Crest Factor	$R_{CF}$		1.35	—	1.45	
Ringing Frequency Accuracy		$f = 20$ Hz	-1	—	1	%
Ringing Cadence Accuracy		Accuracy of ON/OFF Times	-50	—	50	ms
Calibration Time		$\uparrow$ CAL to $\downarrow$ CAL Bit	—	—	600	ms
Power Alarm Threshold Accuracy		At Power Threshold = 300 mW	-25	—	25	%

\*Note: DC resistance round trip; 160  $\Omega$  corresponds to 2 kft, 26 gauge AWG.

**Table 5. Monitor ADC Characteristics**(V<sub>DDA</sub>, V<sub>DDD</sub> = 3.13 to 5.25 V, T<sub>A</sub> = 0 to 70 °C for F-Grade, -40 to 85 °C for G-Grade)

Parameter	Symbol	Test Condition	Min	Typ	Max	Unit
Differential Nonlinearity (6-bit resolution)	DNLE		-1/2	—	1/2	LSB
Integral Nonlinearity (6-bit resolution)	INLE		-1	—	1	LSB
Gain Error (Voltage)			—	—	10	%
Gain Error (Current)			—	—	20	%

**Table 6. Si321x DC Characteristics, V<sub>DDA</sub> = V<sub>DDD</sub> = 5.0 V**(V<sub>DDA</sub>, V<sub>DDD</sub> = 4.75 to 5.25 V, T<sub>A</sub> = 0 to 70 °C for F-Grade, -40 to 85 °C for G-Grade)

Parameter	Symbol	Test Condition	Min	Typ	Max	Unit
High Level Input Voltage	V <sub>IH</sub>		0.7 x V <sub>DDD</sub>	—	—	V
Low Level Input Voltage	V <sub>IL</sub>		—	—	0.3 x V <sub>DDD</sub>	V
High Level Output Voltage	V <sub>OH</sub>	DIO1,DIO2,SDITHRU: I <sub>O</sub> = -4 mA SDO, DTX:I <sub>O</sub> = -8 mA	V <sub>DDD</sub> - 0.6	—	—	V
		DOUT: I <sub>O</sub> = -40 mA	V <sub>DDD</sub> - 0.8	—	—	V
Low Level Output Voltage	V <sub>OL</sub>	DIO1,DIO2,DOUT,SDITHRU: I <sub>O</sub> = 4 mA SDO,INT,DTX:I <sub>O</sub> = 8 mA	—	—	0.4	V
Input Leakage Current	I <sub>L</sub>		-10	—	10	μA

**Table 7. Si321x DC Characteristics, V<sub>DDA</sub> = V<sub>DDD</sub> = 3.3 V**(V<sub>DDA</sub>, V<sub>DDD</sub> = 3.13 to 3.47 V, T<sub>A</sub> = 0 to 70 °C for F-Grade, -40 to 85 °C for G-Grade)

Parameter	Symbol	Test Condition	Min	Typ	Max	Unit
High Level Input Voltage	V <sub>IH</sub>		0.7 x V <sub>DDD</sub>	—	—	V
Low Level Input Voltage	V <sub>IL</sub>		—	—	0.3 x V <sub>DDD</sub>	V
High Level Output Voltage	V <sub>OH</sub>	DIO1,DIO2,SDITHRU: I <sub>O</sub> = -2 mA SDO, DTX:I <sub>O</sub> = -4 mA	V <sub>DDD</sub> - 0.6	—	—	V
		DOUT: I <sub>O</sub> = -40 mA	V <sub>DDD</sub> - 0.8	—	—	V
Low Level Output Voltage	V <sub>OL</sub>	DIO1,DIO2,DOUT,SDITHRU: I <sub>O</sub> = 2 mA SDO,INT,DTX:I <sub>O</sub> = 4 mA	—	—	0.4	V
Input Leakage Current	I <sub>L</sub>		-10	—	10	μA

# Si3210/Si3211

**Table 8. Power Supply Characteristics**

(Unless otherwise noted,  $V_{DDA}$ ,  $V_{DDD}$ =3.13 to 5.25 V;  $T_A$ =0 to 70°C for F-grade, -40 to 85°C for G-grade)

Parameter	Symbol	Test Condition	Typ <sup>1</sup>	Typ <sup>2</sup>	Max	Unit
Power Supply Current, Analog and Digital	$I_A + I_D$	Sleep ( $\overline{\text{RESET}} = 0$ ), $V_{DDA}=V_{DDD}=3.13$ to $3.465$ V	0.1	—	0.3	mA
		Sleep ( $\overline{\text{RESET}} = 0$ ), $V_{DDA}=V_{DDD}=4.75$ to $5.25$ V, $T_A=0$ to 70C/F-grade	—	0.1	0.3	mA
		Sleep ( $\overline{\text{RESET}} = 0$ ), $V_{DDA}=V_{DDD}=4.75$ to $5.25$ V, $T_A=-40$ to 85C/G-grade	—	0.1	0.35	mA
		Open	33	42.8	49	mA
		Active on-hook ETBO = 4 mA, codec and Gm amplifier powered down	37	53	68	mA
		Active OHT ETBO = 4 mA	57	72	83	mA
		Active off-hook ETBA = 4 mA, $I_{LIM} = 20$ mA	73	88	99	mA
		Ground Start	36	47	55	mA
		Ringing sinewave, REN = 1, $V_{PK} = 56$ V	45	55	65	mA
$V_{DD}$ Supply Current (Si3201)	$I_{VDD}$	Sleep mode, RESET = 0	100	100	—	$\mu$ A
		Open (high impedance)	100	100	—	$\mu$ A
		Active on-hook standby	110	110	—	$\mu$ A
		Forward/reverse active off-hook, no $I_{LOOP}$ , ETBO = 4 mA, $V_{BAT} = -24$ V	1	1	—	mA
		Forward/reverse OHT, ETBO = 4 mA, $V_{BAT} = -70$ V	1	1	—	mA
$V_{BAT}$ Supply Current <sup>3</sup>	$I_{BAT}$	Sleep ( $\overline{\text{RESET}} = 0$ )	0	0	—	mA
		Open (DCOF = 1)	0	0	—	mA
		Active on-hook $V_{OC} = 48$ V, ETBO = 4 mA	3	3	—	mA
		Active OHT ETBO = 4 mA	11	11	—	mA
		Active off-hook ETBA = 4 mA, $I_{LIM} = 20$ mA	30	30	—	mA
		Ground Start	2	2	—	mA
		Ringing: $V_{PK\_RING} = 56 V_{PK}$ , Sinewave ringing: REN = 1	5.5	5.5	—	mA
$V_{BAT}$ Supply Slew Rate		When using Si3201	—	—	10	V/ $\mu$ s

**Table 8. Power Supply Characteristics (Continued)**(Unless otherwise noted,  $V_{DDA}$ ,  $V_{DDD}=3.13$  to  $5.25$  V;  $T_A=0$  to  $70^\circ\text{C}$  for F-grade,  $-40$  to  $85^\circ\text{C}$  for G-grade)

Parameter	Symbol	Test Condition	Typ <sup>1</sup>	Typ <sup>2</sup>	Max	Unit
<b>Notes:</b>						
1. $V_{DDD}$ , $V_{DDA} = 3.3$ V.						
2. $V_{DDD}$ , $V_{DDA} = 5.25$ V.						
3. $I_{BAT}$ = current from $V_{BAT}$ (the large negative supply). For a switched-mode power supply regulator efficiency of 71%, the user can calculate the regulator current consumption as $I_{BAT} \times V_{BAT}/(0.71 \times V_{DC})$ .						

**Table 9. Switching Characteristics (General Inputs)<sup>1</sup>** $V_{DDA} = V_{DDA} = 3.13$  to  $5.25$  V,  $T_A = 0$  to  $70^\circ\text{C}$  for F-Grade,  $-40$  to  $85^\circ\text{C}$  for G-Grade,  $C_L = 20$  pF

Parameter	Symbol	Min	Typ	Max	Unit
Rise Time, $\overline{\text{RESET}}$	$t_r$	—	—	20	ns
$\overline{\text{RESET}}$ Pulse Width <sup>2</sup>	$t_{rl}$	100	—	—	ns
<b>Notes:</b>					
1. All timing (except rise and fall time) is referenced to the 50% level of the waveform. Input test levels are $V_{IH} = V_D - 0.4$ V, $V_{IL} = 0.4$ V. Rise and fall times are referenced to the 20% and 80% levels of the waveform.					
2. Additional initialization guidelines apply; see section 1.2 ProSLIC Initialization in AN35.					

**Table 10. Switching Characteristics (SPI)** $V_{DDA} = V_{DDA} = 3.13$  to  $5.25$  V,  $T_A = 0$  to  $70^\circ\text{C}$  for F-Grade,  $-40$  to  $85^\circ\text{C}$  for G-Grade,  $C_L = 20$  pF

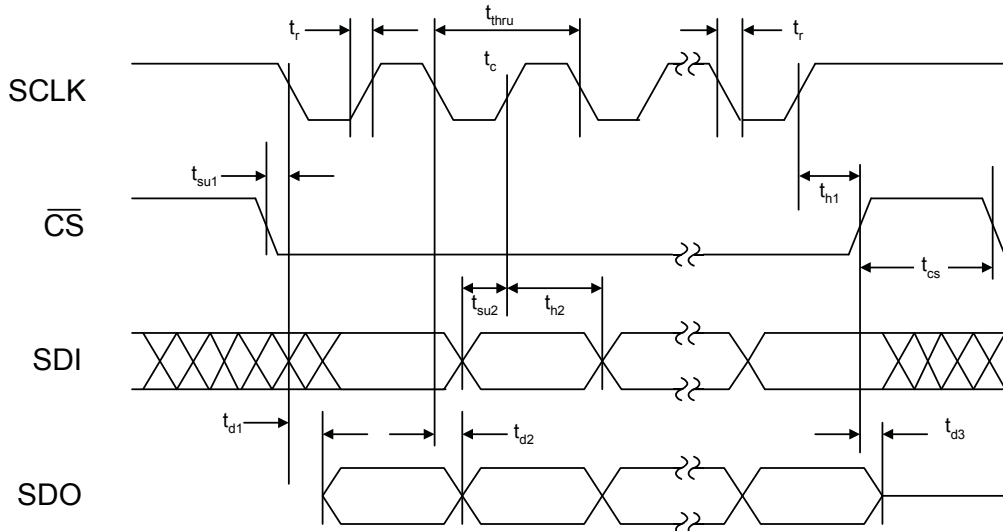
Parameter	Symbol	Test Conditions	Min	Typ	Max	Unit
Cycle Time SCLK	$t_c$		0.062	—	—	$\mu\text{s}$
Rise Time, SCLK	$t_r$		—	—	25	ns
Fall Time, SCLK	$t_f$		—	—	25	ns
Delay Time, SCLK Fall to SDO Active	$t_{d1}$		—	—	20	ns
Delay Time, SCLK Fall to SDO Transition	$t_{d2}$		—	—	20	ns
Delay Time, $\overline{\text{CS}}$ Rise to SDO Tri-state	$t_{d3}$		—	—	20	ns
Setup Time, $\overline{\text{CS}}$ to SCLK Fall	$t_{su1}$		25	—	—	ns
Hold Time, $\overline{\text{CS}}$ to SCLK Rise	$t_{h1}$		20	—	—	ns
Setup Time, SDI to SCLK Rise	$t_{su2}$		25	—	—	ns
Hold Time, SDI to SCLK Rise	$t_{h2}$		20	—	—	ns
Delay Time between Chip Selects (Continuous SCLK)	$t_{cs}$		440	—	—	ns
Delay Time between Chip Selects (Non-continuous SCLK)	$t_{cs}$		220	—	—	ns

# Si3210/Si3211

**Table 10. Switching Characteristics (SPI)**

$V_{DDA} = V_{DDA} = 3.13$  to  $5.25$  V,  $T_A = 0$  to  $70$  °C for F-Grade,  $-40$  to  $85$  °C for G-Grade,  $C_L = 20$  pF

SDI to SDITHRU Propagation Delay	$t_{d4}$	—	4	10	ns
<b>Note:</b> All timing is referenced to the 50% level of the waveform. Input test levels are $V_{IH} = V_{DD} - 0.4$ V, $V_{IL} = 0.4$ V					



**Figure 7. SPI Timing Diagram**

**Table 11. Switching Characteristics—PCM Highway Serial Interface**

$V_D = 3.13$  to  $5.25$  V,  $T_A = 0$  to  $70$  °C for F-Grade,  $-40$  to  $85$  °C for G-Grade,  $C_L = 20$  pF

Parameter	Symbol	Test Conditions	Min <sup>1</sup>	Typ <sup>1</sup>	Max <sup>1</sup>	Units
PCLK Frequency	$1/t_c$		—	0.256	—	MHz
			—	0.512	—	MHz
			—	0.768 <sup>2</sup>	—	MHz
			—	1.024	—	MHz
			—	1.536 <sup>2</sup>	—	MHz
			—	2.048	—	MHz
			—	4.096	—	MHz
	—	8.192	—	MHz		
PCLK Duty Cycle Tolerance	$t_{dty}$		40	50	60	%
PCLK-to-FSYNC Jitter Tolerance	$t_{jitter}$		-120	—	120	ns
Rise Time, PCLK	$t_r$		—	—	25	ns
Fall Time, PCLK	$t_f$		—	—	25	ns
Delay Time, PCLK Rise to DTX Active	$t_{d1}$		—	—	20	ns
Delay Time, PCLK Rise to DTX Transition	$t_{d2}$		—	—	20	ns
Delay Time, PCLK Rise to DTX Tri-state <sup>3</sup>	$t_{d3}$		—	—	20	ns
Setup Time, FSYNC to PCLK Fall	$t_{su1}$		25	—	—	ns
Hold Time, FSYNC to PCLK Fall	$t_{h1}$		20	—	—	ns

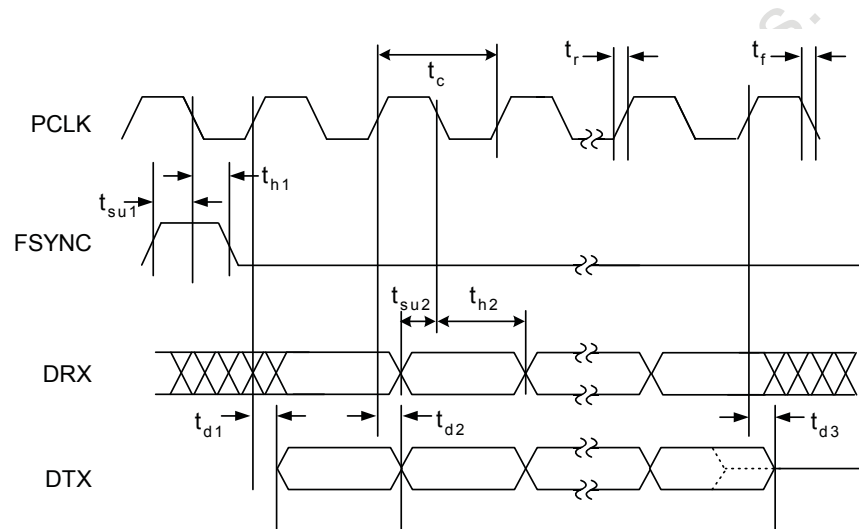
**Table 11. Switching Characteristics—PCM Highway Serial Interface**

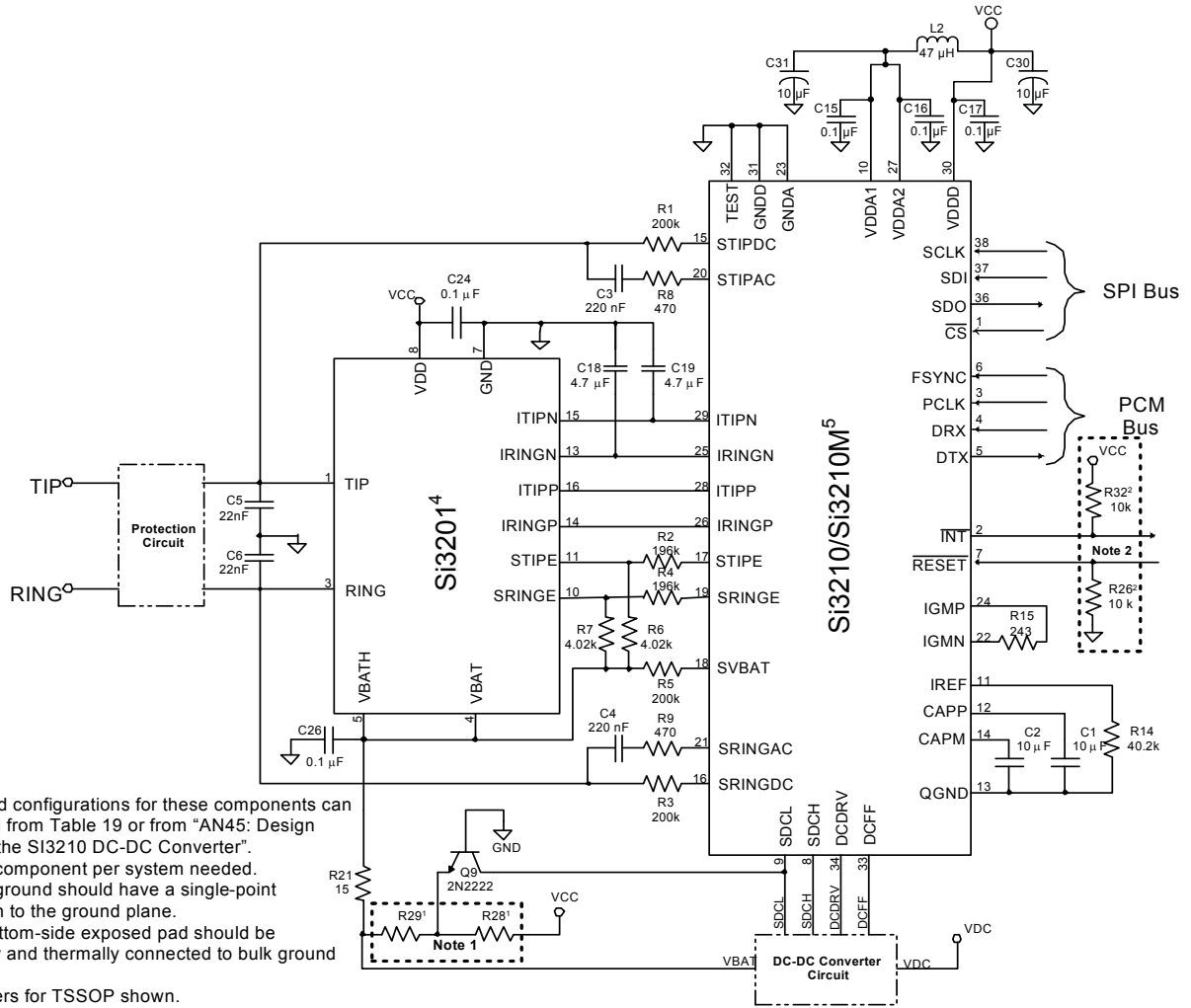
$V_D = 3.13$  to  $5.25$  V,  $T_A = 0$  to  $70$  °C for F-Grade,  $-40$  to  $85$  °C for G-Grade,  $C_L = 20$  pF

Setup Time, DRX to PCLK Fall	$t_{su2}$	25	—	—	ns
Hold Time, DRX to PCLK Fall	$t_{h2}$	20	—	—	ns

**Notes:**

1. All timing is referenced to the 50% level of the waveform. Input test levels are  $V_{IH} - V_{IO} - 0.4V$ ,  $V_{IL} = 0.4$  V.
2. Not a valid PCLK frequency for GCI mode.
3. Specification applies to PCLK fall to DTX tri-state when that mode is selected ( $TRI = 0$ ).

**Figure 8. PCM Highway Interface Timing Diagram**



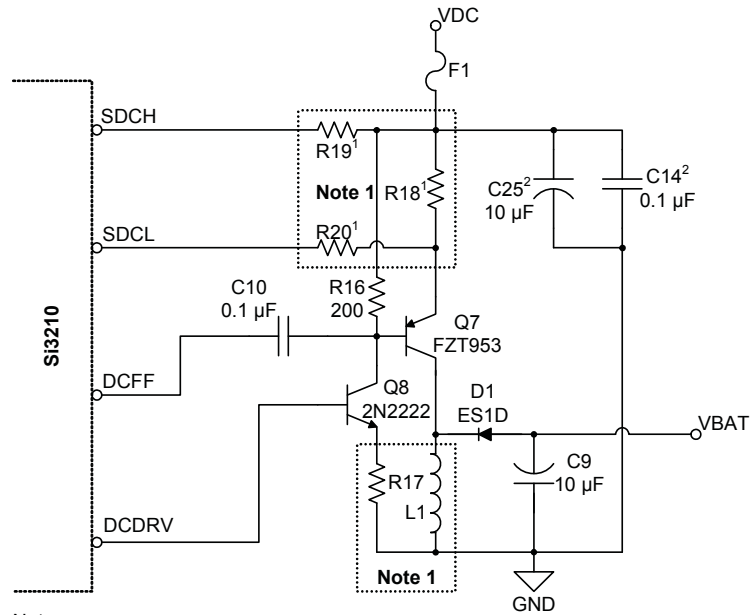
**Figure 9. Si3210/Si3210M Application Circuit Using Si3201**

Table 12. Si3210/Si3210M + Si3201 External Component Values

Component(s)	Value	Package	Supplier
C1,C2	10 $\mu$ F, 6 V Ceramic or 16 V Low Leakage Electrolytic, $\pm 20\%$	Radial	Murata, Nichicon URL1C100MD
C3,C4	220 nF, 100 V, X7R, $\pm 20\%$	1812	Murata, Johanson, Novacap, Venkel
C5,C6	22 nF, 100 V, X7R, $\pm 20\%$	1206	Murata, Johanson, Novacap, Venkel
C15,C16,C17,C24	0.1 $\mu$ F, 6 V, Y5V, $\pm 20\%$	603	Murata, Johanson, Novacap, Venkel
C18,C19	4.7 $\mu$ F, ceramic, 6 V, X7R, $\pm 20\%$	1206	Murata, Johanson, Novacap, Venkel
C26	0.1 $\mu$ F, 100 V, X7R, $\pm 20\%$	1210	Murata, Johanson, Novacap, Venkel
C30,C31	10 $\mu$ F, 10 V, Electrolytic, $\pm 20\%$	Radial	Panasonic
L2	47 $\mu$ H, 150 mA	SMD	Coilcraft
R1 <sup>1</sup> ,R3 <sup>1</sup> ,R5 <sup>1</sup>	200 k $\Omega$ , 1/10 W, $\pm 1\%$	805	
R2 <sup>1</sup> ,R4 <sup>1</sup>	196 k $\Omega$ , 1/10 W, $\pm 1\%$	805	
R6,R7	4.02 k $\Omega$ , 1/10 W, $\pm 1\%$	805	
R8,R9	470 $\Omega$ , 1/10 W, $\pm 1\%$	805	
R14	40.2 k $\Omega$ , 1/10 W, $\pm 1\%$	805	
R15	243 $\Omega$ , 1/10 W, $\pm 1\%$	805	
R21	15 $\Omega$ , 1/4 W, $\pm 5\%$	805	
R26 <sup>2</sup>	10 k $\Omega$ , 1/10 W, $\pm 1\%$	805	
R28,R29	1/10 W, 1% (See "AN45: Design Guide for the Si3210 DC-DC Converter" or Table 19 for value selection)	805	
R32 <sup>2</sup>	10 k $\Omega$ , 1/10 W, $\pm 5\%$	805	
Q9	60 V, General Purpose Switching NPN	SOT-23	ON Semi MMBT2222ALT1; Central Semi CMPT2222A; Zetex FMMT2222

**Notes:**

1. These resistors must be in an 0805 or larger package.
2. Only one component per system needed.



Notes:

1. Values and configurations for these components can be derived from "AN45: Design Guide for the Si3210 DC-DC Converter" or Table 21.
2. Voltage rating for C14 and C25 must be greater than VDC.

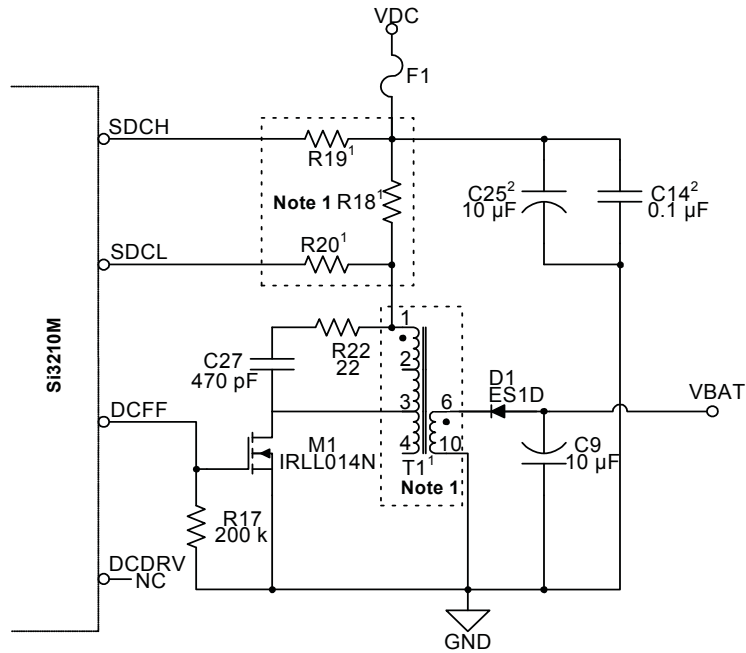
**Figure 10. Si3210 BJT/Inductor DC-DC Converter Circuit**

Not recommended for new designs  
Please note the Si3210 is discontinued

Table 13. Si3210 BJT/Inductor DC-DC Converter Component Values

Component(s)	Value	Package	Supplier
C9	10 $\mu$ F, 100 V, Electrolytic, $\pm 20\%$	Radial	Panasonic
C10	0.1 $\mu$ F, 50 V, X7R, $\pm 20\%$	1210	Murata, Johanson, Novacap, Venkel
C14*	0.1 $\mu$ F, X7R, $\pm 20\%$	1210	Murata, Johanson, Novacap, Venkel
C25*	10 $\mu$ F, Electrolytic, $\pm 20\%$	Radial	Panasonic
R16	200 $\Omega$ , 1/10 W, $\pm 5\%$	805	
R17	1/10 W, $\pm 5\%$ (See AN45 or Table 21 for value selection)	805	
R18	1/4 W, $\pm 5\%$ (See AN45 or Table 21 for value selection)	1206	
R19,R20	1/10 W, $\pm 1\%$ (See AN45 or Table 21 for value selection)	805	
F1	Fuse	SMD	Belfuse SSQ Series
D1	Ultra Fast Recovery 200 V, 1A Rectifier	DO214-AA	General Semi ES1D; Central Semi CMR1U-02
L1	1 A, Shielded Inductor (See AN45 or Table 21 for value selection)	SMD	API Delevan SPD127 series, Sumida CDRH127 series, Datatronics DR340-1 series, Coilcraft DS5022, TDK SLF12565
Q7	120 V, High Current Switching PNP	SOT-223	Zetex FZT953, FZT955, ZTX953, ZTX955; Sanyo 2SA1552
Q8	60 V, General Purpose Switching NPN	SOT-23	ON Semi MMBT2222ALT1, MPS2222A; Central Semi CMPT2222A; Zetex FMMT2222

**\*Note:** Voltage rating of this device must be greater than  $V_{DC}$ .



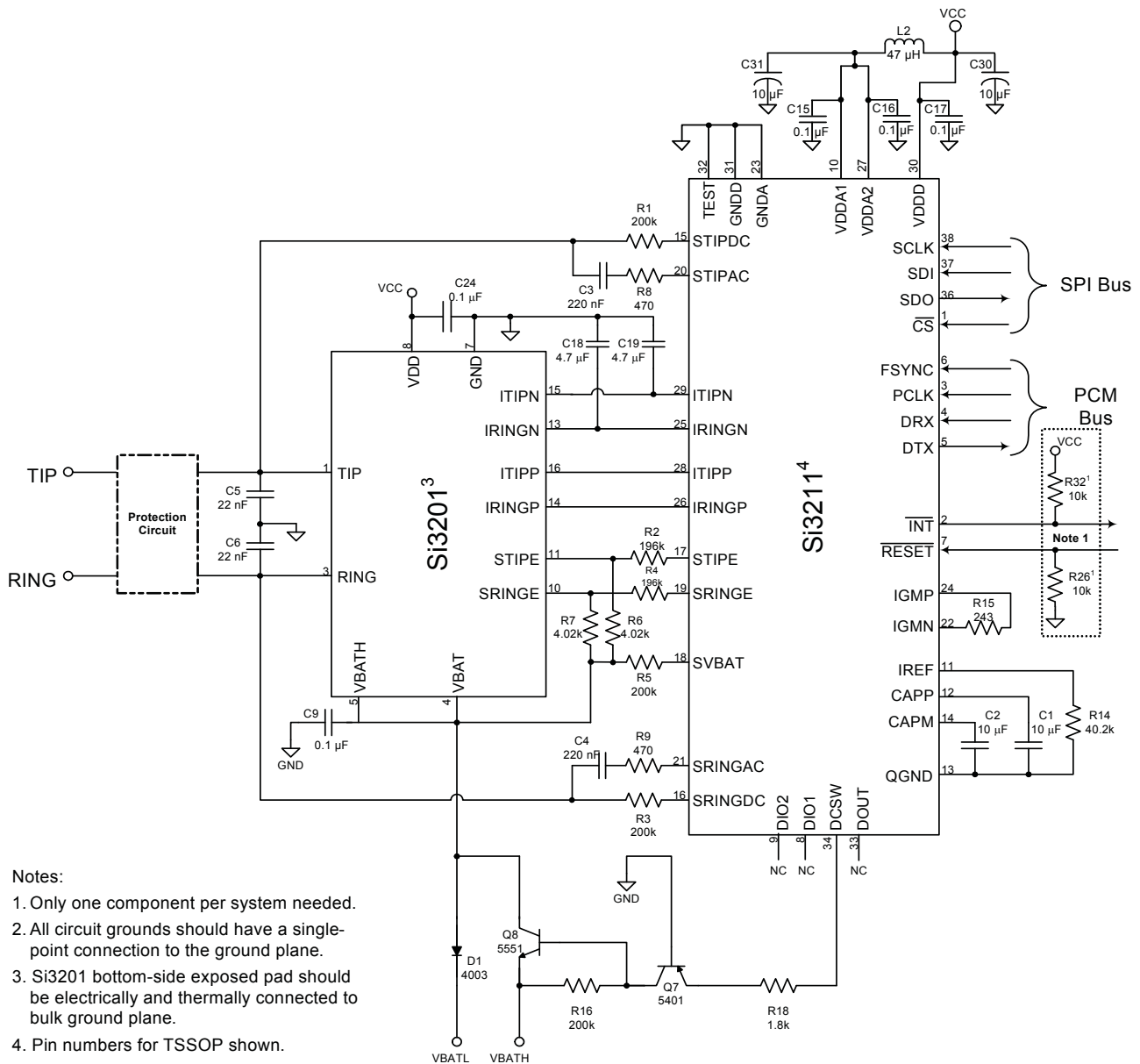
Notes:

1. Values and configurations for these components can be derived from AN45 or Table 20.
2. Voltage rating for C14 and C25 must be greater than VDC.

**Figure 11. Si3210M MOSFET/Transformer DC-DC Converter Circuit**

**Table 14. Si3210M MOSFET/Transformer DC-DC Converter Component Values**

Component(s)	Value	Package	Supplier
C9	10 $\mu$ F, 100 V, Electrolytic, $\pm$ 20%	Radial	Panasonic
C14*	0.1 $\mu$ F, X7R, $\pm$ 20%	1210	Murata, Johanson, Novacap, Venkel
C25*	10 $\mu$ F, Electrolytic, $\pm$ 20%	Radial	Panasonic
C27	470 pF, 100 V, X7R, $\pm$ 20%	1206	Murata, Johanson, Novacap, Venkel
R17	200 k $\Omega$ , 1/10 W, $\pm$ 5%	805	
R18	1/4 W, $\pm$ 5% (See "AN45: Design Guide for the Si3210 DC-DC Converter" or Table 20 for value selection)	1206	
R19,R20	1/10 W, $\pm$ 1% (See AN45 or Table 20 for value selection)	805	
R22	22 $\Omega$ , 1/10 W, $\pm$ 5%	805	
F1	Fuse	SMD	Belfuse SSQ Series
D1	Ultra Fast Recovery 200 V, 1 A Rectifier	D214-AA	General Semi ES1D; Central Semi CMR1U-02
T1	Power Transformer	SMD	Coiltronic CTX01-15275; Datatronics SM76315; Midcom 31353R-02
M1	100 V, Logic Level Input MOSFET	SOT-223	Intl Rect. IRL014N; Intersil HUF76609D3S; ST Micro STD5NE10L, STN2NE10L
<p><b>*Note:</b> Voltage rating of this device must be greater than <math>V_{DC}</math>.</p>			



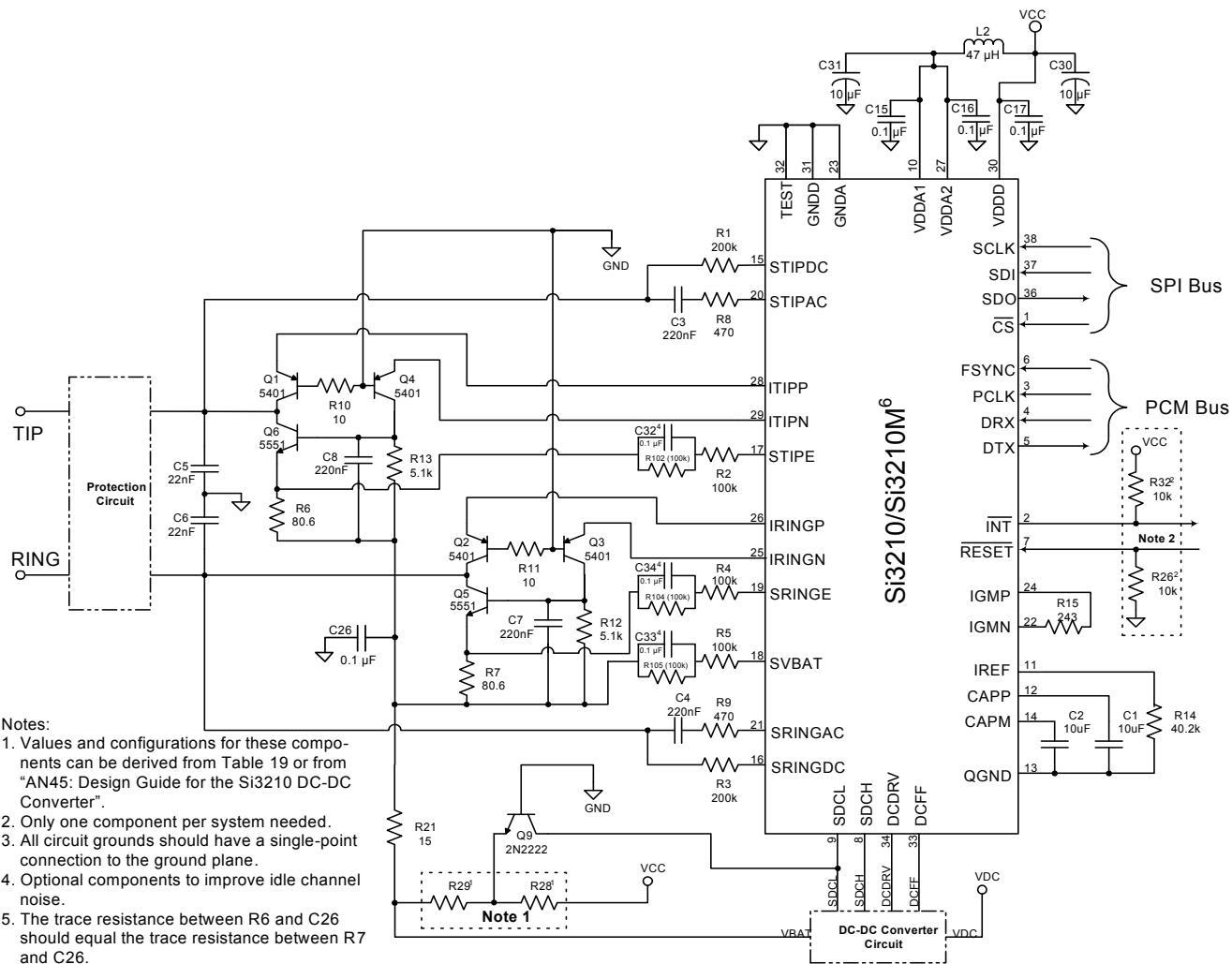
**Figure 12. Si3211 Typical Application Circuit Using Si3201**

Table 15. Si3211 + Si3201 External Component Values

Component(s)	Value	Package	Supplier
C1,C2	10 $\mu$ F, 6 V Ceramic or 16 V, Low-Leakage Electrolytic, $\pm$ 20%	Radial	Murata, Nichicon URL1C100MD
C3,C4	220 nF, 100 V, X7R, $\pm$ 20%	1812	Murata, Johanson, Novacap, Venkel
C5,C6	22 nF, 100 V, X7R, $\pm$ 20%	1206	Murata, Johanson, Novacap, Venkel
C9	0.1 $\mu$ F, 100 V, X7R, $\pm$ 20%	1210	Murata, Johanson, Novacap, Venkel
C15,C16,C17,C24	0.1 $\mu$ F, 6 V, Y5V, $\pm$ 20%	1206	Murata, Johanson, Novacap, Venkel
C18,C19	4.7 $\mu$ F Ceramic, 6 V, X7R, $\pm$ 20%	1206	Murata, Johanson, Novacap, Venkel
C30,C31	10 $\mu$ F, 10 V, Electrolytic, $\pm$ 20%	Radial	Panasonic
L2	47 $\mu$ H, 150 mA	SMD	Coilcraft
D1	200 V, 1 A Rectifier	MELF	ON Semi: MRA4003, IN4003
Q7	120 V, PNP, BJT	SOT-89	ON Semi: 2N5401
Q8	120 V, NPN, BJT	SOT-223	ON Semi: 2N5551
R1 <sup>1</sup> ,R3 <sup>1</sup> ,R5 <sup>1</sup> ,R16 <sup>1</sup>	200 k $\Omega$ , 1/10 W, $\pm$ 1%	805	
R2 <sup>1</sup> ,R4 <sup>1</sup>	196 k $\Omega$ , 1/10 W, $\pm$ 1%	805	
R6,R7	4.02 k $\Omega$ , 1/10 W, $\pm$ 1%	805	
R8,R9	470 $\Omega$ , 1/10 W, $\pm$ 1%	805	
R14	40.2 k $\Omega$ , 1/10 W, $\pm$ 1%	805	
R15	243 $\Omega$ , 1/10 W, $\pm$ 1%	805	
R18	1.8 k $\Omega$ , 1/10 W, $\pm$ 5%	805	
R26 <sup>2</sup>	10 k $\Omega$ , 1/10 W, $\pm$ 1%	805	
R32 <sup>2</sup>	10 k $\Omega$ , 1/10 W, $\pm$ 5%	805	

**Notes:**

1. These resistors must be in an 0805 or larger package.
2. Only one component per system needed.



- Notes:
1. Values and configurations for these components can be derived from Table 19 or from "AN45: Design Guide for the Si3210 DC-DC Converter".
  2. Only one component per system needed.
  3. All circuit grounds should have a single-point connection to the ground plane.
  4. Optional components to improve idle channel noise.
  5. The trace resistance between R6 and C26 should equal the trace resistance between R7 and C26.
  6. Pin numbers for TSSOP shown.

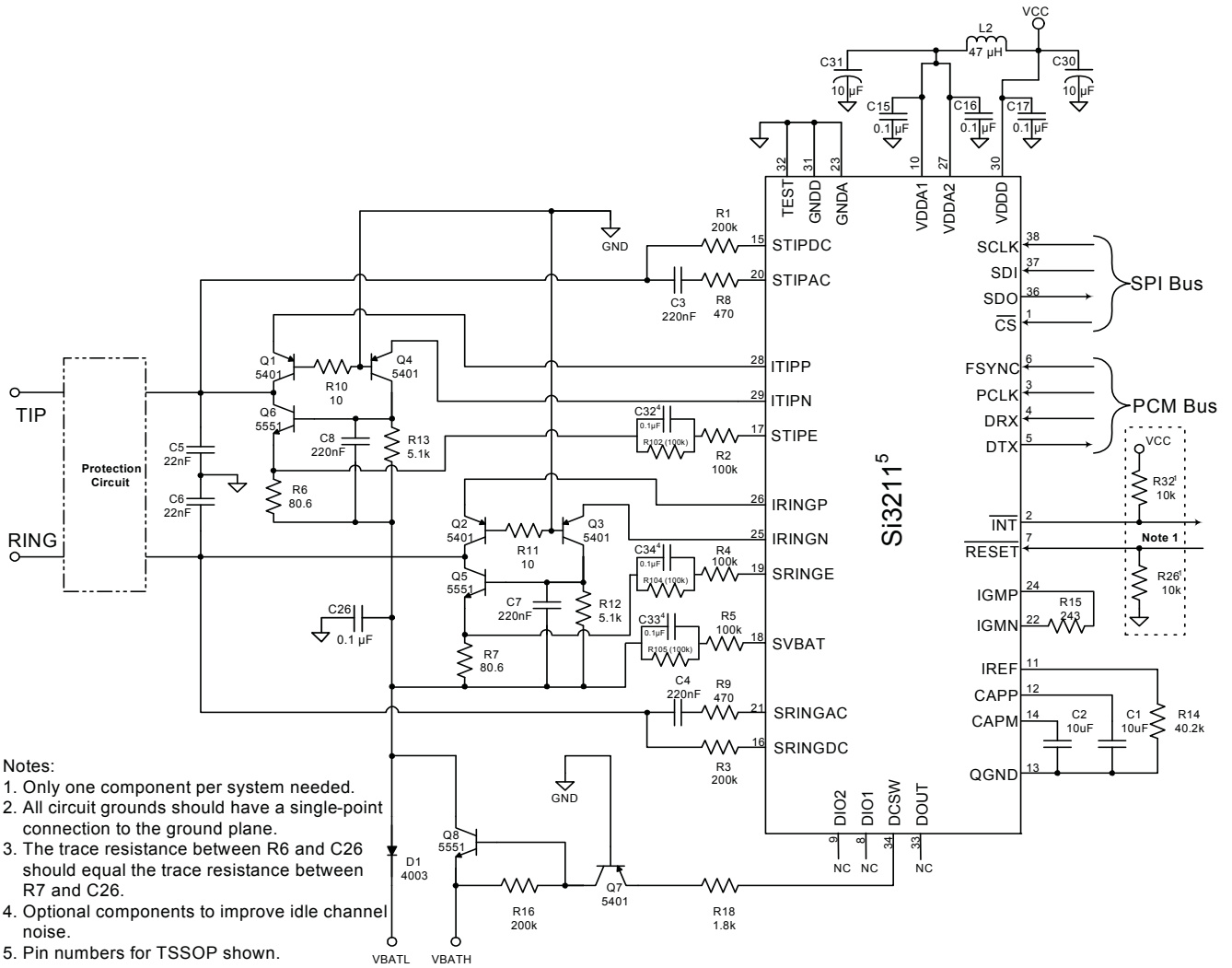
**Figure 13. Si3210/Si3210M Typical Application Circuit Using Discrete Components**

Table 16. Si3210/Si3210M External Component Values—Discrete Solution

Component(s)	Value	Package	Supplier/Part Number
C1,C2	10 $\mu$ F, 6 V Ceramic or 16 V Low-Leakage Electrolytic, $\pm 20\%$	Radial	Murata, Panasonic, Nichicon URL1C100MD
C3,C4	220 nF, 100 V, X7R, $\pm 20\%$	1812	Murata, Johanson, Novacap, Venkel
C5,C6	22 nF, 100 V, X7R, $\pm 20\%$	1206	Murata, Johanson, Novacap, Venkel
C7,C8	220 nF, 50 V, X7R, $\pm 20\%$	1812	Murata, Johanson, Novacap, Venkel
C15,C16,C17	0.1 $\mu$ F, 6 V, Y5V, $\pm 20\%$	603	Murata, Johanson, Novacap, Venkel
C26	0.1 $\mu$ F, 100 V, X7R, $\pm 20\%$	1210	Murata, Johanson, Novacap, Venkel
C30,C31	10 $\mu$ F, 10 V, Electrolytic, $\pm 20\%$	Radial	Panasonic
C32,C33,C34	0.1 $\mu$ F, 50 V, $\pm 20\%$	805	Venkel
L2	47 $\mu$ H, 150 mA	SMD	Coilcraft
Q1,Q2,Q3,Q4	120 V, PNP, BJT	SOT-23	Central Semi CMPT5401; ON Semi MMBT5401LT1, 2N5401; Zetex FMMT5401; Fairchild 2N5401; Samsung 2N5401
Q5,Q6	120 V, NPN, BJT	SOT-223	Central Semi CZT5551, ON Semi 2N5551; Fairchild 2N5551; Phillips 2N5551
Q9	NPN General Purpose BJT	SOT-23	ON Semi MMBT2222ALT1, MPS2222A; Central Semi CMPT2222A; Zetex FMMT2222
R1 <sup>1</sup> , R3 <sup>1</sup>	200 k $\Omega$ , 1/10 W, $\pm 1\%$	805	
R2 <sup>1</sup> , R4 <sup>1</sup> , R5 <sup>1</sup> , R102 <sup>1</sup> , R104 <sup>1</sup> , R105 <sup>1</sup>	100 k $\Omega$ , 1/10 W, $\pm 1\%$	805	
R6,R7	80.6 $\Omega$ , 1/4 W, $\pm 1\%$	1210	
R8,R9	470 $\Omega$ , 1/10 W, $\pm 1\%$	805	
R10,R11	10 $\Omega$ , 1/10 W, $\pm 5\%$	805	
R12,R13	5.1 k $\Omega$ , 1/10 W, $\pm 5\%$	805	
R14	40.2 k $\Omega$ , 1/10 W, $\pm 1\%$	805	
R15	243 $\Omega$ , 1/10 W, $\pm 1\%$	805	
R21	15 $\Omega$ , 1/4 W, $\pm 1\%$	805	
R26 <sup>2</sup>	10 k $\Omega$ , 1/10 W, $\pm 1\%$	805	
R28,R29	1/10 W, $\pm 1\%$ (See "AN45: Design Guide for the Si3210/15/16 DC-DC Converter" or Table 19 for value selection)	805	
R32 <sup>2</sup>	10 k $\Omega$ , 1/10 W, $\pm 5\%$	805	

**Notes:**

1. These resistors must be in 0805 or larger package.
2. Only one component per system needed.



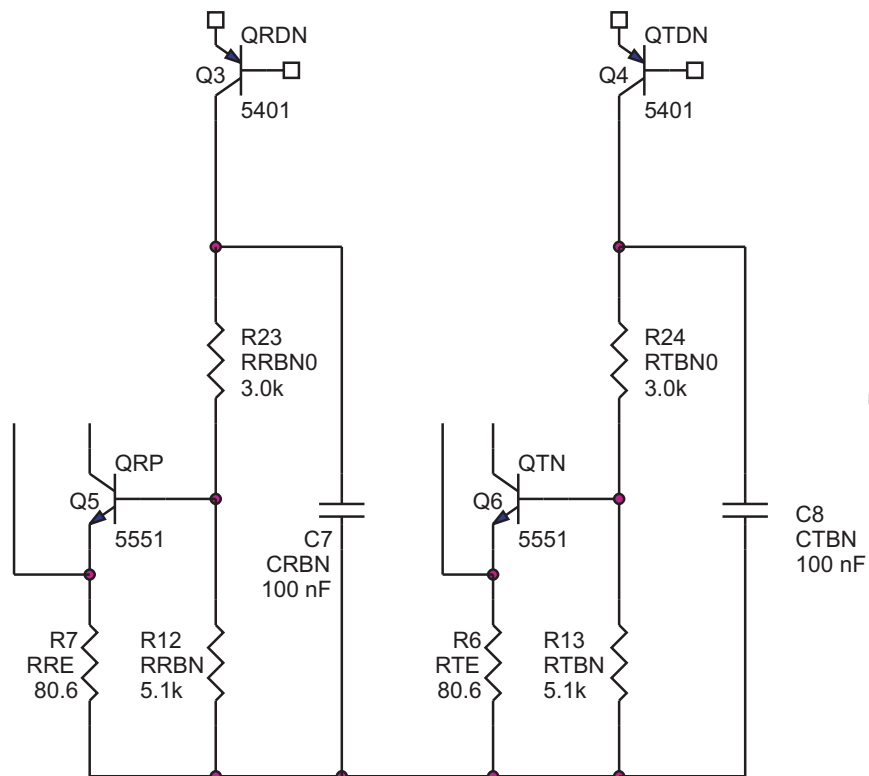
**Figure 14. Si3211 Typical Application Circuit Using Discrete Solution**

Table 17. Si3211 External Component Values—Discrete Solution

Component(s)	Value	Package	Supplier/Part Number
C1,C2	10 $\mu$ F, 6 V Ceramic or 16 V Low Leakage Electrolytic, $\pm$ 20%	Radial	Murata, Panasonic, Nichicon URL1C100MD
C3,C4	220 nF, 100 V, X7R, $\pm$ 20%	1812	Murata, Johanson, Novacap, Venkel
C5,C6	22 nF, 100 V, X7R, $\pm$ 20%	1206	Murata, Johanson, Novacap, Venkel
C7,C8	220 nF, 50 V, X7R, $\pm$ 20%	1812	Murata, Johanson, Novacap, Venkel
C9	0.1 $\mu$ F, 100 V, X7R, $\pm$ 20%	1210	Panasonic
C15,C16,C17	0.1 $\mu$ F, 6 V, Y5V, $\pm$ 20%	603	Murata, Johanson, Novacap, Venkel
C30,C31	10 $\mu$ F, 10 V, X7R, $\pm$ 20%	Radial	Panasonic
C32, C33, C34	0.1 $\mu$ F, 50 V, X7R, $\pm$ 20%	805	Venkel
L2	47 $\mu$ H, 150 mA	SMD	Coilcraft
R1 <sup>1</sup> ,R3 <sup>1</sup> ,R16 <sup>1</sup>	200 k $\Omega$ , 1/10 W, $\pm$ 1%	805	
R2 <sup>1</sup> , R4 <sup>1</sup> , R5 <sup>1</sup> , R102 <sup>1</sup> , R104 <sup>1</sup> , R105 <sup>1</sup>	100 k $\Omega$ , 1/10 W, $\pm$ 1%	805	
R6,R7	80.6 $\Omega$ , 1/4 W, $\pm$ 1%	1210	
R8,R9	470 $\Omega$ , 1/10 W, $\pm$ 1%	805	
R10,R11	10 $\Omega$ , 1/10 W, $\pm$ 5%	805	
R12,R13	5.1 k $\Omega$ , 1/10 W, $\pm$ 5%	805	
R14	40.2 k $\Omega$ , 1/10 W, $\pm$ 1%	805	
R15	243 $\Omega$ , 1/10 W, $\pm$ 1%	805	
R18	1.8 k $\Omega$ , 1/10 W, $\pm$ 5%	805	
R26 <sup>2</sup>	10 k $\Omega$ , 1/10 W, $\pm$ 1%	805	
R32 <sup>2</sup>	10 k $\Omega$ , 1/10 W, $\pm$ 5%	805	
D1	200 V 1A Rectifier	MELF	ON Semi MRA4003, 1N4003
Q1,Q2,Q3,Q4,Q7	120 V, PNP, BJT	SOT-23	Central Semi CMPT5401; ON Semi MMBT5401LT1, 2N5401; Zetex FMMT5401
Q5,Q6	120 V, NPN, BJT	SOT-223	Central Semi CZT5551, ON Semi 2N5551
Q8	120 V, NPN, BJT	SOT-223	Central Semi CMPT5551, ON Semi 2N5551

**Notes:**

1. These resistors must be in an 0805 or larger package.
2. Only one component per system needed.



**Figure 15. Si321x Optional Equivalent Q5, Q6 Bias Circuit**

**Table 18. Si321x Optional Bias Component Values**

Component	Value	Package	Supplier/Part Number
C7,C8	100 nF, 100 V, X7R, ±20%	1210	Murata, Johanson, Venkel
R23,R24	3.0 kΩ, 1/10 W, ±5%	805	

The subcircuit above can be substituted into any of the ProSLIC solutions as an optional bias circuit for Q5 and Q6. For this optional subcircuit, C7 and C8 differ in voltage and capacitance from the standard circuit. R23 and R24 are additional components.

**Table 19. Component Value Selection for Si3210/Si3210M**

Component	Value	Package	Comments
R28	1/10 W, 1% resistor For $V_{DD} = 3.3\text{ V}$ : 26.1 kΩ For $V_{DD} = 5.0\text{ V}$ : 37.4 kΩ	805	$R28 = (V_{DD} + V_{BE})/148\ \mu\text{A}$ where $V_{BE}$ is the nominal VBE for Q9
R29	1/10 W, 1% resistor For $V_{CLAMP} = 80\text{ V}$ : 541 kΩ For $V_{CLAMP} = 85\text{ V}$ : 574 kΩ For $V_{CLAMP} = 100\text{ V}$ : 676 kΩ	805	$R29 = V_{CLAMP}/148\ \mu\text{A}$ where $V_{CLAMP}$ is the clamping voltage for $V_{BAT}$

Table 20. Component Value Selection Examples for Si3210M MOSFET/Transformer DC-DC Converter<sup>1</sup>

VDC	Maximum Ringing Load/ Loop Resistance	Winding Connections <sup>2</sup>	Transformer Ratio	R18	R19, R20
3.3 V	3 REN/117 $\Omega$	1–2	1–2	0.06 $\Omega$	7.15 k $\Omega$
5.0 V	5 REN/117 $\Omega$	1–2	1–2	0.10 $\Omega$	16.5 k $\Omega$
12 V	5 REN/117 $\Omega$	1–3	1–3	0.6 $\Omega$	56.2 k $\Omega$
24 V	5 REN/117 $\Omega$	1–4	1–4	2.1 $\Omega$	121 k $\Omega$

**Notes:**

1. There are other system and software conditions that influence component value selection. Refer to “AN45: Design Guide for the Si3210 DC-DC Converter” for detailed guidance.
2. Applies to transformer specified in Table 14; other transformers may vary.

Table 21. Component Value Selection Examples for Si3210 BJT/Inductor DC-DC Converter

VDC	Maximum Ringing Load/Loop Resistance	L1	R17	R18	R19, R20
5 V	3 REN/117 $\Omega$	67 $\mu$ H	150 $\Omega$	0.15 $\Omega$	16.5 k $\Omega$
12 V	5 REN/117 $\Omega$	150 $\mu$ H	162 $\Omega$	0.56 $\Omega$	56.2 k $\Omega$
24 V	5 REN/117 $\Omega$	220 $\mu$ H	175 $\Omega$	2.0 $\Omega$	121 k $\Omega$

**Note:** There are other system and software conditions that influence component value selection. Refer to “AN45: Design Guide for the Si3210 DC-DC Converter” for detailed guidance.

## 2. Functional Description

The ProSLIC<sup>®</sup> is a single, low-voltage CMOS device that provides all the SLIC, codec, DTMF detection, and signal generation functions needed for a complete analog telephone interface. The ProSLIC performs all battery, overvoltage, ringing, supervision, codec, hybrid, and test (BORSCHT) functions. Unlike most monolithic SLICs, the Si3210 does not require externally-supplied high-voltage battery supplies. Instead, it generates all necessary battery voltages from a positive dc supply using its own dc-dc converter controller. Two fully-programmable tone generators can produce DTMF tones, phase continuous FSK (caller ID) signaling, and call progress tones. DTMF decoding and pulse metering signal generation are also integrated. The Si3201 linefeed interface IC performs all high-voltage functions. As an option, the Si3201 can also be replaced with low-cost discrete components as shown in the typical application circuits in Figures 12, 13, and 14.

The ProSLIC is ideal for short loop applications, such as terminal adapters, cable telephony, PBX/key systems, wireless local loop (WLL), and voice over IP solutions.

The linefeed provides programmable on-hook voltage, programmable off-hook loop current, reverse battery operation, loop or ground start operation, and on-hook transmission ringing voltage. Loop current and voltage are continuously monitored using an integrated A/D converter. Balanced 5 REN ringing with or without a programmable dc offset is integrated. The available offset, frequency, waveshape, and cadence options are designed to ring the widest variety of terminal devices and to reduce external controller requirements.

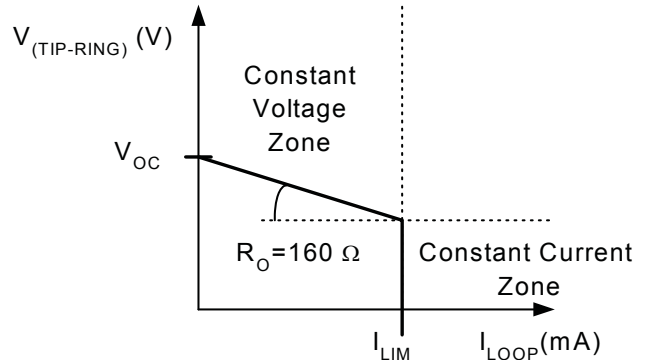
A complete audio transmit and receive path is integrated, including DTMF decoding, ac impedance, and hybrid gain. These features are software-programmable, allowing for a single hardware design to meet international requirements. Digital voice data transfer occurs over a standard PCM bus. Control data is transferred using a standard SPI. The device is available in a 38-pin QFN or TSSOP package.

### 2.1. Linefeed Interface

The ProSLIC's linefeed interface offers a rich set of features and programmable flexibility to meet the broadest applications requirements. The dc linefeed characteristics are software-programmable. Key current, voltage, and power measurements are acquired in real time and provided in software registers.

#### 2.1.1. DC Feed Characteristics

The ProSLIC has programmable constant voltage and constant current zones as shown in Figure 16. Open-circuit TIP-to-RING voltage ( $V_{OC}$ ) defines the constant voltage zone and is programmable from 0 V to 94.5 V in 1.5 V steps. The loop current limit ( $I_{LIM}$ ) defines the constant current zone and is programmable from 20 mA to 41 mA in 3 mA steps. The ProSLIC has an inherent dc output resistance ( $R_O$ ) of 160  $\Omega$ .



**Figure 16. Simplified DC Current/Voltage Linefeed Characteristic**

The TIP-to-RING voltage ( $V_{OC}$ ) is offset from ground by a programmable voltage ( $V_{CM}$ ) to provide voltage headroom to the positive-most terminal (TIP in forward polarity states and RING in reverse polarity states) for carrying audio signals. Table 22 summarizes the parameters to be initialized before entering an active state.

**Table 22. Programmable Ranges of DC Linefeed Characteristics**

Parameter	Programmable Range	Default Value	Register Bits	Location*
$I_{LIM}$	20 to 41 mA	20 mA	ILIM[2:0]	Direct Register 71
$V_{OC}$	0 to 94.5 V	48 V	VOC[5:0]	Direct Register 72
$V_{CM}$	0 to 94.5 V	3 V	VCM[5:0]	Direct Register 73

\*Note: The ProSLIC uses registers that are both directly and indirectly mapped. A "direct" register is one that is mapped directly.

### 2.1.2. Linefeed Architecture

The ProSLIC is a low-voltage CMOS device that uses either an Si3201 linefeed interface IC or low-cost external components to control the high voltages required for subscriber line interfaces. Figure 17 is a simplified illustration of the linefeed control loop circuit for TIP or RING and the external components used.

The ProSLIC uses both voltage and current sensing to control TIP and RING. DC and ac line voltages on TIP and RING are measured through sense resistors  $R_{DC}$  and  $R_{AC}$ . The ProSLIC uses linefeed transistors  $Q_P$  and  $Q_N$  to drive TIP and RING.  $Q_{DN}$  isolates the high-voltage base of  $Q_N$  from the ProSLIC.

The ProSLIC measures voltage at various nodes in order to monitor the linefeed current.  $R_{DC}$ ,  $R_{SE}$ , and  $R_{BAT}$  provide access to these measuring points. The sense circuitry is calibrated on-chip to guarantee measurement accuracy with standard external component tolerances. See "2.1.9. Linefeed Calibration" on page 36 for details.

### 2.1.3. Linefeed Operation States

The ProSLIC linefeed has eight states of operation as shown in Table 23. The state of operation is controlled using the Linefeed Control register (direct Register 64).

The open state turns off all currents into the external bipolar transistors and can be used in the presence of fault conditions on the line and to generate Open Switch Intervals (OSIs). TIP and RING are effectively tri-stated with a dc output impedance of about 150 k $\Omega$ .

The ProSLIC can also automatically enter the open state if it detects excessive power being consumed in the external bipolar transistors.

See "2.1.5. Power Monitoring and Line Fault Detection" for more details.

In the forward active and reverse active states, linefeed circuitry is on, and the audio signal paths are powered down.

In the forward and reverse on-hook transmission states, audio signal paths are powered up to provide data transmission during an on-hook loop condition.

The TIP Open state turns off all control currents to the external bipolar devices connected to TIP and provides an active linefeed on RING for ground start operation.

The RING Open state provides similar operation with the RING drivers off and TIP active.

The ringing state drives programmable ringing waveforms onto the line.

### 2.1.4. Loop Voltage and Current Monitoring

The ProSLIC continuously monitors the TIP and RING voltages and external BJT currents. These values are available in registers 78–89. Table 24 on page 33 lists the values that are measured and their associated registers. An internal A/D converter samples the measured voltages and currents from the analog sense circuitry and translates them into the digital domain. The A/D updates the samples at a rate of 800 Hz. Two derived values are also reported: loop voltage and loop current. The loop voltage,  $V_{TIP} - V_{RING}$ , is reported as a 1-bit sign, 6-bit magnitude format. For ground start operation, the reported value is the RING voltage. The loop current,  $(I_{Q1} - I_{Q2} + I_{Q5} - I_{Q6})/2$ , is reported in a 1-bit sign, 6-bit magnitude format. In RING open and TIP open states, the loop current is reported as  $(I_{Q1} - I_{Q2}) + (I_{Q5} - I_{Q6})$ .



**Table 24. Measured Real-Time Linefeed Interface Characteristics**

Parameter	Measurement Range	Resolution	Register Bits	Location*
Loop Voltage Sense ( $V_{TIP} - V_{RING}$ )	-94.5 to +94.5 V	1.5 V	LVSP, LVS[6:0]	Direct Register 78
Loop Current Sense	-78.75 to +78.5 mA	1.25 mA	LCSP, LCS[5:0]	Direct Register 79
TIP Voltage Sense	0 to -95.88 V	0.376 V	VTIP[7:0]	Direct Register 80
RING Voltage Sense	0 to -95.88 V	0.376 V	VRING[7:0]	Direct Register 81
Battery Voltage Sense 1 ( $V_{BAT}$ )	0 to -95.88 V	0.376 V	VBATS1[7:0]	Direct Register 82
Battery Voltage Sense 2 ( $V_{BAT}$ )	0 to -95.88 V	0.376 V	VBATS2[7:0]	Direct Register 83
Transistor 1 Current Sense	0 to 81.35 mA	0.319 mA	IQ1[7:0]	Direct Register 84
Transistor 2 Current Sense	0 to 81.35 mA	0.319 mA	IQ2[7:0]	Direct Register 85
Transistor 3 Current Sense	0 to 9.59 mA	37.6 $\mu$ A	IQ3[7:0]	Direct Register 86
Transistor 4 Current Sense	0 to 9.59 mA	37.6 $\mu$ A	IQ4[7:0]	Direct Register 87
Transistor 5 Current Sense	0 to 80.58 mA	0.316 mA	IQ5[7:0]	Direct Register 88
Transistor 6 Current Sense	0 to 80.58 mA	0.316 mA	IQ6[7:0]	Direct Register 89

**\*Note:** The ProSLIC uses registers that are both directly and indirectly mapped. A "direct" register is one that is mapped directly.

### 2.1.5. Power Monitoring and Line Fault Detection

In addition to reporting voltages and currents, the ProSLIC continuously monitors the power dissipated in each external bipolar transistor. Real-time output power of any one of the six linefeed transistors can be read by setting the Power Monitor Pointer (direct Register 76) to point to the desired transistor and then reading the Line Power Output Monitor (direct Register 77).

The real-time power measurements are low-pass filtered and compared to a maximum power threshold. Maximum power thresholds and filter time constants are software-programmable and should be set for each transistor pair based on the characteristics of the transistors used. Table 25 describes the registers associated with this function. If the power in any external transistor exceeds the programmed threshold, a power alarm event is triggered. The ProSLIC sets the Power Alarm register bit, generates an interrupt (if enabled), and automatically enters the Open state (if AOPN = 1). This feature protects the external transistors from fault conditions and, combined with the loop voltage and current monitors, allows diagnosis of the type of fault condition present on the line.

The value of each thermal low-pass filter pole is set according to the equation:

$$\text{Thermal LPF register} = \frac{4096}{800 \times \tau} \times 2^3$$

where  $\tau$  is the thermal time constant of the transistor package, 4096 is the full range of the 12-bit register, and 800 is the sample rate in hertz. Generally  $\tau = 3$  seconds for SOT223 packages and  $\tau = 0.16$  seconds for SOT23, but check with the manufacturer for the package thermal constant of a specific device. For example, the power alarm threshold and low-pass filter values for Q5 and Q6 using a SOT223 package transistor are computed as follows:

Thus, indirect Register 34 should be set to 150Dh.

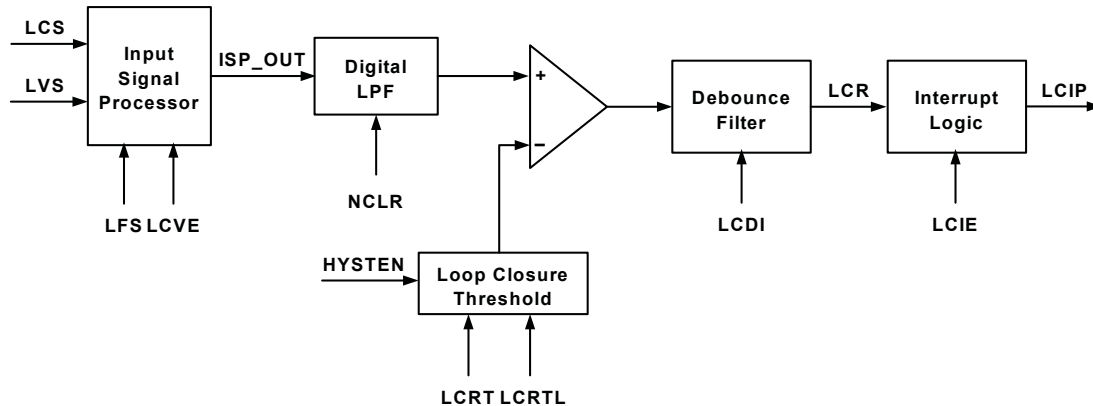
$$PPT56 = \frac{P_{MAX}}{Resolution} \times 2^7 = \frac{1.28}{0.0304} \times 2^7 = 5389 = 150Dh$$

**Note:** The power monitor resolution for Q3 and Q4 is different from that of Q1, Q2, Q5, and Q6.

**Table 25. Associated Power Monitoring and Power Fault Registers**

Parameter	Description/ Range	Resolution	Register Bits	Location*
Power Monitor Pointer	0 to 5 points to Q1 to Q6, respectively	n/a	PWRMP[2:0]	Direct Register 76
Line Power Monitor Output	0 to 7.8 W for Q1, Q2, Q5, Q6 0 to 0.9 W for Q3, Q4	30.4 mW 3.62 mW	PWROM[7:0]	Direct Register 77
Power Alarm Threshold, Q1 & Q2	0 to 7.8 W	30.4 mW	PPT12[7:0]	Indirect Register 32
Power Alarm Threshold, Q3 & Q4	0 to 0.9 W	3.62 mW	PPT34[7:0]	Indirect Register 33
Power Alarm Threshold, Q5 & Q6	0 to 7.8 W	30.4 mW	PPT56[7:0]	Indirect Register 34
Thermal LPF Pole, Q1 & Q2	See equation above.		NQ12[7:0]	Indirect Register 37
Thermal LPF Pole, Q3 & Q4	See equation above.		NQ34[7:0]	Indirect Register 38
Thermal LPF Pole, Q5 & Q6	See equation above.		NQ56[7:0]	Indirect Register 39
Power Alarm Interrupt Pending	Bits 2 to 7 correspond to Q1 to Q6, respectively	n/a	QnAP[n+1], where n = 1 to 6	Direct Register 19
Power Alarm Interrupt Enable	Bits 2 to 7 correspond to Q1 to Q6, respectively	n/a	QnAE[n+1], where n = 1 to 6	Direct Register 22
Power Alarm Automatic/Manual Detect	0 = manual mode 1 = enter open state upon power alarm	n/a	AOPN	Direct Register 67

**\*Note:** The ProSLIC uses registers that are both directly and indirectly mapped. A “direct” register is one that is mapped directly. An “indirect” register is one that is accessed using the indirect access registers (direct registers 28 through 31).



**Figure 18. Loop Closure Detection**

### 2.1.6. Loop Closure Transition Detection

A loop closure transition event signals that the terminal equipment has gone from on-hook to off-hook or from off-hook to on-hook; detection occurs while the ProSLIC linefeed is in its on-hook transmission or active states. The ProSLIC performs loop closure detection digitally using its on-chip monitor A/D converter. The functional blocks required to implement loop closure detection are shown in Figure 18. The primary input to the system is the Loop Current Sense value provided in the LCS register (direct Register 79). The LCS value is processed in the Input Signal Processor when the ProSLIC is in the on-hook transmission or active linefeed state, as indicated by the Linefeed Shadow register, LFS[2:0] (direct Register 64). The data then feeds into a programmable digital low-pass filter, which removes unwanted ac signal components before threshold detection.

The output of the low-pass filter is compared to a programmable threshold, LCRT (indirect Register 28). The threshold comparator output feeds a programmable debouncing filter. The output of the debouncing filter remains in its present state unless the input remains in the opposite state for the entire period of time programmed by the loop closure debounce interval, LCDI (direct Register 69). If the debounce interval has been satisfied, the LCR bit will change state to indicate that a valid loop closure transition has occurred. A loop closure transition interrupt is generated if enabled by the LCIE bit (direct Register 22). Table 26 lists the registers that must be written or monitored to correctly detect a loop closure condition.

### 2.1.7. Loop Closure Threshold Hysteresis

Silicon revisions C and higher support the addition of programmable hysteresis to the loop closure threshold, which can be enabled by setting HYSTEN = 1 (direct Register 108, bit 0). The hysteresis is defined by LCRT (indirect Register 28) and LCRTL (indirect Register 43), which set the upper and lower bounds, respectively.

### 2.1.8. Voltage-Based Loop Closure Detection

Silicon revisions C and higher also support an optional voltage-based loop closure detection mode, which is enabled by setting LCVE = 1 (direct Register 108, bit 2). In this mode, the loop voltage is compared to the loop closure threshold register (LCRT), which represents a minimum voltage threshold instead of a maximum current threshold. If hysteresis is also enabled, LCRT represents the upper voltage boundary, and LCRTL represents the lower voltage boundary for hysteresis. Although voltage-based loop closure detection is an option, the default current-based loop closure detection is recommended.

**Table 26. Register Set for Loop Closure Detection**

Parameter	Register	Location
Loop Closure Interrupt Pending	LCIP	Direct Reg. 19
Loop Closure Interrupt Enable	LCIE	Direct Reg. 22
Loop Closure Threshold	LCRT[5:0]	Indirect Reg. 28
Loop Closure Threshold—Lower	LCRTL[5:0]	Indirect Reg. 43
Loop Closure Filter Coefficient	NCLR[12:0]	Indirect Reg. 35
Loop Closure Detect Status (monitor only)	LCR	Direct Reg. 68
Loop Closure Detect Debounce Interval	LCDI[6:0]	Direct Reg. 69
Hysteresis Enable	HYSTEN	Direct Reg. 108
Voltage-Based Loop Closure	LCVE	Direct Reg. 108

## 2.1.9. Linefeed Calibration

An internal calibration algorithm corrects for internal and external component errors. The calibration is initiated by setting the CAL bit in direct Register 96. Upon completion of the calibration cycle, this bit is automatically reset.

It is recommended that a calibration be executed following system powerup. Upon release of the chip reset, the Si3210 will be in the open state. The calibration can be initiated after powering up the dc-dc converter and allowing it to settle for time ( $t_{settle}$ ). Additional calibrations may be performed, but only one calibration should be necessary as long as the system remains powered up.

During calibration,  $V_{BAT}$ ,  $V_{TIP}$ , and  $V_{RING}$  voltages are controlled by the calibration engine to provide the correct external voltage conditions for the algorithm. Calibration should be performed in the on-hook state. RING or TIP must not be connected to ground during the calibration.

When using the Si3201, automatic calibration routines for RING gain mismatch and TIP gain mismatch should not be performed. Instead of running these two calibrations automatically, follow the instructions for manual calibration in “AN35: Si321x User’s Quick Reference Guide”.

## 2.2. Battery Voltage Generation and Switching

The ProSLIC supports two modes of battery supply operation. First, the Si3210 integrates a dc-dc converter controller that dynamically regulates a single output voltage. This mode eliminates the need to supply large external battery voltages. Instead, it converts a single positive input voltage into the real-time battery voltage needed for any given state according to programmed linefeed parameters. Second, the Si3211 supports switching between high and low battery voltage supplies, as would a traditional monolithic SLIC.

For single to low channel count applications, the Si3210 proves to be an economical choice, as the dc-dc converter eliminates the need to design and build high-voltage power supplies. For higher channel count applications where centralized battery voltage supply is economical or for modular legacy systems where battery voltage is already available, the Si3211 is recommended.

### 2.2.1. DC-DC Converter General Description (Si3210/Si3210M Only)

The dc-dc converter dynamically generates the large negative voltages required to operate the linefeed interface. The Si3210 acts as the controller for a buck-

boost dc-dc converter that converts a positive dc voltage into the desired negative battery voltage. In addition to eliminating external power supplies, this allows the Si3210 to dynamically control the battery voltage to the minimum required for any given mode of operation.

Two different dc-dc circuit options are offered: a BJT/inductor version and a MOSFET/transformer version.

Due to the differences on the driving circuits, there are two different versions of the Si3210. The Si3210 supports the BJT/inductor circuit option, and the Si3210M version supports the MOSFET solution. The only difference between the two versions is the polarity of the DCFF pin with respect to the DCDRV pin. For the Si3210, DCDRV and DCFF are of opposite polarity. For the Si3210M, DCDRV and DCFF are the same polarity. Table 27 summarizes these differences.

**Table 27. Si3210 and Si3210M Differences**

Device	DCFF Signal Polarity	DCPOL
Si3210	= $\overline{\text{DCDRV}}$	0
Si3210M	= DCDRV	1
<b>Notes:</b>		
1. DCFF signal polarity with respect to DCDRV signal.		
2. Direct Register 93, bit 5; This is a read-only bit.		

Extensive design guidance on each of these circuits can be obtained from “AN45: Design Guide for the Si3210 DC-DC Converter” and from an interactive dc-dc converter design spreadsheet. Both of these documents are available on the Silicon Laboratories website ([www.silabs.com](http://www.silabs.com)).

### 2.2.2. BJT/Inductor Circuit Option Using Si3210

The BJT/Inductor circuit option shown in Figure 10 on page 18 offers a flexible, low-cost solution. Depending on selected L1 inductance value and the switching frequency, the input voltage ( $V_{DC}$ ) can range from 5 V to 30 V. Because of the nature of a dc-dc converter's operation, peak and average input currents can become large with small input voltages. Consider this when selecting the appropriate input voltage and power rating for the  $V_{DC}$  power supply.

For this solution, a PNP power BJT (Q7) switches the current flow through low ESR inductor L1. The Si3210 uses the DCDRV and DCFF pins to switch Q7 on and off. DCDRV controls Q7 through NPN BJT Q8. DCFF is ac-coupled to Q7 through capacitor C10 to assist R16 in turning off Q7. Therefore, DCFF must have opposite polarity to DCDRV, and the Si3210 (not Si3210M) must be used.

## 2.2.3. MOSFET/Transformer Circuit Option Using the Si3210M

The MOSFET/transformer circuit option (shown in Figure 11 on page 20) offers higher power efficiencies across a larger input voltage range. Depending on the transformer's primary inductor value and the switching frequency, the input voltage ( $V_{DC}$ ) can range from 3.3 V to 35 V. Therefore, it is possible to power the entire ProSLIC solution from a single 3.3 V or 5 V power supply. By nature of a dc-dc converter's operation, peak and average input currents can become large with small input voltages. Consider this when selecting the appropriate input voltage and power rating for the  $V_{DC}$  power supply (number of REN supported).

For this solution, an N-channel power MOSFET (M1) switches the current flow through a power transformer, T1. T1 is specified in "AN45: Design Guide for the Si3210 DC-DC Converter" and includes several taps on the primary side to facilitate a wide range of input voltages. The Si3210M version of the Si3210 must be used for the application circuit depicted in Figure 11 because the DCFF pin is used to drive M1 directly and, therefore, must be the same polarity as DCDRV. DCDRV is not used in this circuit option; connecting DCFF and DCDRV together is not recommended.

## 2.2.4. DC-DC Converter Architecture (Si3210/Si3210M Only)

The control logic for a pulse-width-modulated (PWM) dc-dc converter is incorporated in the Si3210. Output pins DCDRV and DCFF are used to switch a bipolar transistor or MOSFET. The polarity of DCFF is opposite that of DCDRV.

The dc-dc converter circuit is powered on when the DCOF bit in the Powerdown Register (direct Register 14, bit 4) is cleared to 0. The switching regulator circuit within the Si3210 is a high-performance, pulse-width modulation controller. The control pins are driven by the PWM controller logic in the Si3210. The regulated output voltage ( $V_{BAT}$ ) is sensed by the SVBAT pin and is used to detect whether the output voltage is above or below an internal reference for the desired battery voltage. The dc monitor pins, SDCH and SDCL, monitor input current and voltage to the dc-dc converter external circuitry. If an overload condition is detected, the PWM controller will turn off the switching transistor for the remainder of a PWM period to prevent damage to external components. It is important that the proper value of R18 be selected to ensure safe operation. Guidance is given in AN45.

The PWM controller operates at a frequency set by the dc-dc Converter PWM register (direct Register 92). During a PWM period, the outputs of the control pins, DCDRV and DCFF, are asserted for a time given by the read-only PWM Pulse Width register (direct Register 94).

The dc-dc converter must be off for some time in each cycle to allow the inductor or transformer to transfer its stored energy to the output capacitor, C9. This minimum off time can be set through the dc-dc Converter Switching Delay register, (direct Register 93). The number of 16.384 MHz clock cycles that the controller is off is equal to DCTOF (bits 0 through 4) plus 4. If the dc Monitor pins detect an overload condition, the dc-dc converter interrupts its conversion cycles regardless of the register settings to prevent component damage. These inputs should be calibrated by writing the DCCAL bit (bit 7) of the dc-dc Converter Switching Delay register, direct Register 93, after the dc-dc converter has been turned on.

Because the Si3210 dynamically regulates its own battery supply voltage using the dc-dc converter controller, the battery voltage,  $V_{BAT}$ , is offset from the negative-most terminal by a programmable voltage,  $V_{OV}$ , to allow voltage headroom for carrying audio signals.

As mentioned previously, the Si3210 dynamically adjusts  $V_{BAT}$  to suit the particular circuit requirement. To illustrate this, the behavior of  $V_{BAT}$  in the active state is shown in Figure 19. In the active state, the TIP-to-RING open circuit voltage is kept at  $V_{OC}$  in the constant voltage region while the regulator output voltage  $V_{BAT} = V_{CM} + V_{OC} + V_{OV}$ .

When the loop current attempts to exceed  $I_{LIM}$ , the dc line driver circuit enters constant current mode allowing the TIP to RING voltage to track  $R_{LOOP}$ . As the TIP terminal is kept at a constant voltage, it is the RING terminal voltage that tracks  $R_{LOOP}$  and, as a result, the  $|V_{BAT}|$  voltage will also track  $R_{LOOP}$ . In this state,  $|V_{BAT}| = I_{LIM} \times R_{LOOP} + V_{CM} + V_{OV}$ . As  $R_{LOOP}$  decreases below the  $V_{OC}/I_{LIM}$  mark, the regulator output voltage can continue to track  $R_{LOOP}$  (TRACK = 1), or the  $R_{LOOP}$  tracking mechanism is stopped when  $|V_{BAT}| = |V_{BATL}|$  (TRACK = 0). The former case is the more common application and provides the maximum power dissipation savings. In principle, the regulator output voltage can go as low as  $|V_{BAT}| = V_{CM} + V_{OV}$ , offering significant power savings.

When TRACK = 0,  $|V_{BAT}|$  will not decrease below  $V_{BATL}$ . The RING terminal voltage, however, continues to decrease with decreasing  $R_{LOOP}$ .

The power dissipation on the NPN bipolar transistor driving the RING terminal can become large and may require a higher power rating device. The non-tracking mode of operation is required by specific terminal equipment that, in order to initiate certain data transmission modes, goes briefly on-hook to measure the line voltage to determine whether there is any other off-hook terminal equipment on the same line.

TRACK = 0 mode is desired since the regulator output voltage has long settling time constants (on the order of tens of milliseconds) and cannot change rapidly for TRACK = 1 mode. Therefore, the brief on-hook voltage measurement would yield approximately the same voltage as the off-hook line voltage and cause the terminal equipment to incorrectly sense another off-hook terminal.

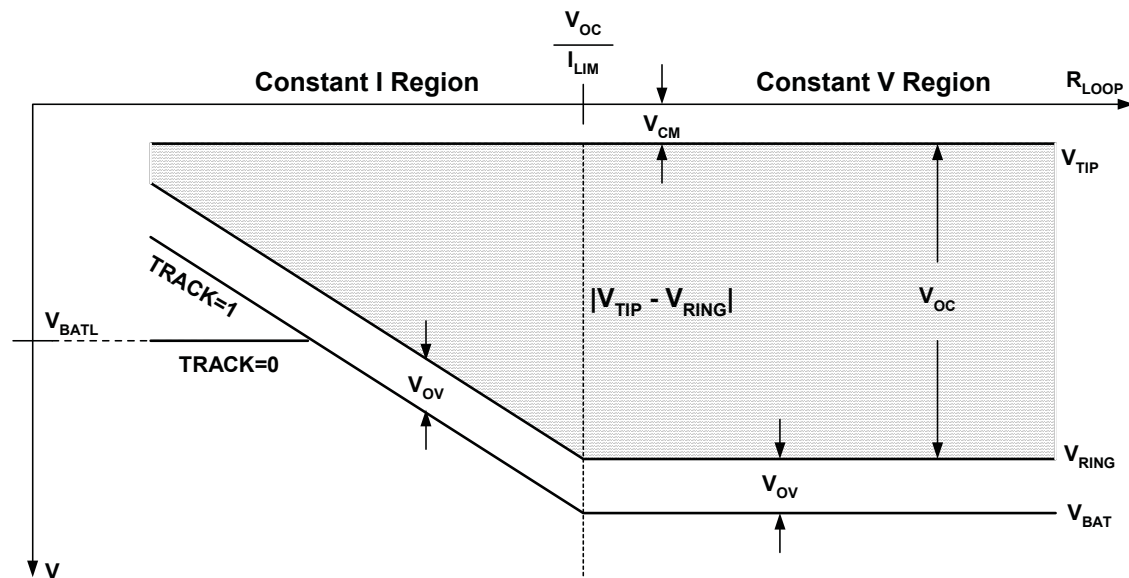


Figure 19.  $V_{TIP}$ ,  $V_{RING}$  and  $V_{BAT}$  in the Forward Active State

Table 28. Associated Relevant DC-DC Converter Registers

Parameter	Range	Resolution	Register Bit	Location
DC-DC Converter Power-off Control	N/A	N/A	DCOF	Direct Register 14
DC-DC Converter Calibration Enable/Status	N/A	N/A	DCCAL	Direct Register 93
DC-DC Converter PWM Period	0 to 15.564 $\mu$ s	61.035 ns	DCN[7:0]	Direct Register 92
DC-DC Converter Min. Off Time	(0 to 1.892 $\mu$ s) + 4 ns	61.035 ns	DCTOF[4:0]	Direct Register 93
High Battery Voltage— $V_{BATH}$	0 to -94.5 V	1.5 V	VBATH[5:0]	Direct Register 74
Low Battery Voltage— $V_{BATL}$	0 to -94.5 V	1.5 V	VBATL[5:0]	Direct Register 75
$V_{OV}$	0 to -9 V or 0 to -13.5 V	1.5 V	VMIND[3:0] VOV	Indirect Register 41 Direct Register 66

**Note:** The ProSLIC uses registers that are both directly and indirectly mapped. A “direct” register is one that is mapped directly. An “indirect” register is one that is accessed using the indirect access registers (direct registers 28 through 31).

## 2.2.5. DC-DC Converter Enhancements

Silicon revisions C and higher support two enhancements to the dc-dc converter. The first is a multi-threshold error control algorithm that enables the dc-dc converter to adjust more quickly to voltage changes. This option is enabled by setting  $DCSU = 1$  (direct Register 108, bit 5). The second enhancement is an audio band filter that removes audio band noise from the dc-dc converter control loop. This option is enabled by setting  $DCFIL = 1$  (direct Register 108, bit 1).

## 2.2.6. DC-DC Converter During Ringing

When the ProSLIC enters the ringing state, it requires voltages well above those used in the active mode. The voltage to be generated and regulated by the dc-dc converter during a ringing burst is set using the  $V_{BATH}$  register (direct Register 74).  $V_{BATH}$  can be set between 0 and  $-94.5\text{ V}$  in  $1.5\text{ V}$  steps. To avoid clipping the ringing signal,  $V_{BATH}$  must be set larger than the ringing amplitude. At the end of each ringing burst, the dc-dc converter adjusts back to active state regulation as described above.

## 2.2.7. External Battery Switching (Si3211 Only)

The Si3211 supports switching between two battery voltages. The circuit for external battery switching is defined in Figure 14. Typically, a high-voltage battery (e.g.,  $-70\text{ V}$ ) is used for on-hook and ringing states, and a low-voltage battery (e.g.,  $-24\text{ V}$ ) is used for the off-hook condition. The ProSLIC uses an external transistor to switch between the two supplies.

When the ProSLIC changes operating states, it automatically switches battery supplies if the automatic/manual control bit,  $ABAT$  (direct Register 67, bit 3), is set.

For example, the ProSLIC will switch from high battery to low battery when it detects an off-hook event through either a ring trip or loop closure event. If automatic battery selection is disabled ( $ABAT = 0$ ), the battery is selected by the Battery Feed Select bit,  $BATSL$  (direct Register 66, bit 1).

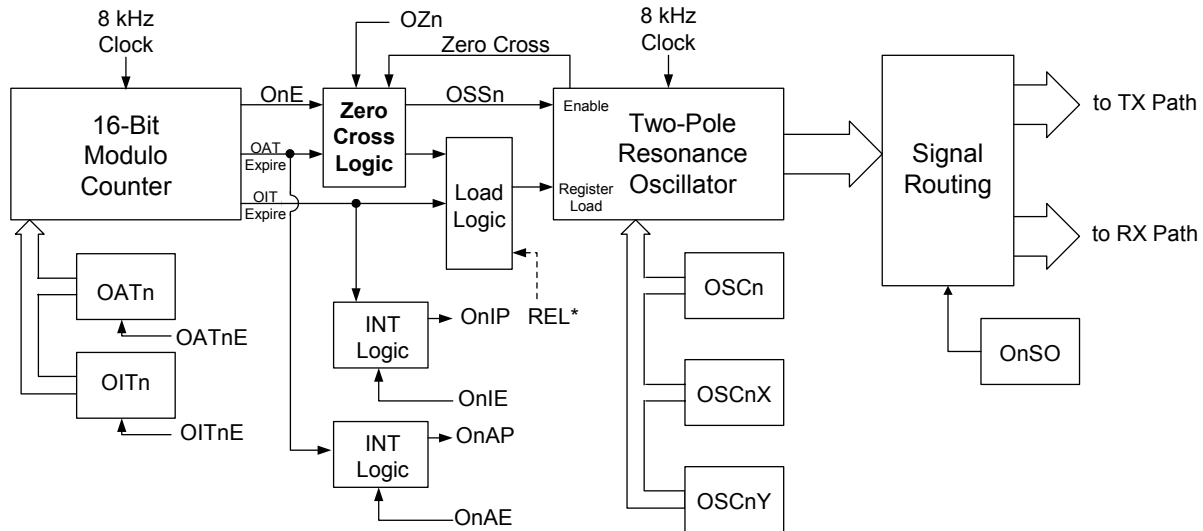
Silicon revisions C and higher support the option to add a 60 ms debounce period to the battery switching circuit when transitioning from high battery to low battery. This option is enabled by setting  $SWDB = 1$  (direct Register 108, bit 3). This debounce minimizes battery transitions in the case of pulse dialing or other quick on-hook to off-hook transitions.

## 2.3. Tone Generation

Two digital tone generators are provided in the ProSLIC. They allow the generation of a wide variety of single- or dual-tone frequency and amplitude combinations and spare the user the effort of generating the required POTS signaling tones on the PCM highway. DTMF, FSK (caller ID), call progress, and other tones can all be generated on-chip. The tones can be sent to either the receive or transmit paths (see Figure 25 on page 50).

### 2.3.1. Tone Generator Architecture

A simplified diagram of the tone generator architecture is shown in Figure 20. The oscillator, active/inactive timers, interrupt block, and signal routing block are connected to give the user flexibility in creating audio signals. Control and status register bits are placed in the figure to indicate their association with the tone generator architecture. These registers are described in more detail in Table 29.



\*Tone Generator 1 Only  
n = "1" or "2" for Tone Generator 1 and 2, respectively

**Figure 20. Simplified Tone Generator Diagram**

### 2.3.2. Oscillator Frequency and Amplitude

Each of the two tone generators contains a two-pole resonate oscillator circuit with a programmable frequency and amplitude, which are programmed via indirect registers OSC1, OSC1X, OSC1Y, OSC2, OSC2X, and OSC2Y. The sample rate for the two oscillators is 8000 Hz. The equations are as follows:

$$\text{coeff}_n = \cos(2\pi f_n/8000 \text{ Hz}),$$

where  $f_n$  is the frequency to be generated;

$$\text{OSC}_n = \text{coeff}_n \times (2^{15});$$

$$\text{OSC}_{nX} = \frac{1}{4} \times \sqrt{\frac{1 - \text{coeff}}{1 + \text{coeff}}} \times (2^{15} - 1) \times \frac{\text{Desired } V_{\text{rms}}}{1.11 V_{\text{rms}}}$$

where desired  $V_{\text{rms}}$  is the amplitude to be generated;

$$\text{OSC}_{nY} = 0,$$

n = 1 or 2 for oscillator 1 or oscillator 2, respectively.

For example, in order to generate a DTMF digit of 8, the two required tones are 852 Hz and 1336 Hz. Assuming the generation of half-scale values (ignoring twist) is desired, the following values are calculated:

$$\text{coeff}_1 = \cos\left(\frac{2\pi 852}{8000}\right) = 0.78434$$

$$\text{OSC}_1 = 0.78434(2^{15}) = 25701 = 6465\text{h}$$

$$\text{OSC}_{1X} = \frac{1}{4} \times \sqrt{\frac{0.21556}{1.78434}} \times (2^{15} - 1) \times 0.5 = 1424 = 590\text{h}$$

$$\text{OSC}_{1Y} = 0$$

$$\text{coeff}_2 = \cos\left(\frac{2\pi 1336}{8000}\right) = 0.49819$$

$$\text{OSC}_2 = 0.49819(2^{15}) = 16324 = 3\text{FC}4\text{h}$$

$$\text{OSC}_{2X} = \frac{1}{4} \times \sqrt{\frac{0.50181}{1.49819}} \times (2^{15} - 1) \times 0.5 = 2370 = 942\text{h}$$

$$\text{OSC}_{2Y} = 0$$

The above computed values would be written to the corresponding registers to initialize the oscillators. Once the oscillators are initialized, the oscillator control registers can be accessed to enable the oscillators and direct their outputs.

### 2.3.3. Tone Generator Cadence Programming

Each of the two tone generators contains two timers, one for setting the active period and one for setting the inactive period. The oscillator signal is generated during the active period and suspended during the inactive period. Both the active and inactive periods can be programmed from 0 to 8 seconds in 125  $\mu\text{s}$  steps. The active period time interval is set using OAT1 (direct registers 36 and 37) for tone generator 1 and OAT2 (direct registers 40 and 41) for tone generator 2.

To enable automatic cadence for tone generator 1, define the OAT1 and OIT1 registers and then set the O1TAE bit (direct Register 32, bit 4) and O1TIE bit (direct Register 32, bit 3). This enables each of the timers to control the state of the Oscillator Enable bit, O1E (direct Register 32, bit 2). The 16-bit counter will begin counting until the active timer expires, at which

time the 16-bit counter will reset to zero and begin counting until the inactive timer expires. The cadence continues until the user clears the O1TAE and O1TIE control bits. The zero crossing detect feature can be implemented by setting the OZ1 bit (direct Register 32, bit 5). This ensures that each oscillator pulse ends without a dc component. The timing diagram in Figure 21 is an example of an output cadence using the zero crossing feature.

One-shot oscillation can be achieved by enabling O1E and O1TAE. Direct control over the cadence can be achieved by controlling the O1E bit (direct Register 32, bit 2) directly if O1TAE and O1TIE are disabled.

The operation of tone generator 2 is identical to that of tone generator 1 using its respective control registers.

**Note:** Tone Generator 2 should not be enabled simultaneously with the ringing oscillator due to resource sharing within the hardware.

Continuous phase frequency-shift keying (FSK) waveforms may be created using tone generator 1 (not available on tone generator 2) by setting the REL bit (direct Register 32, bit 6), which enables reloading of the OSC1, OSC1X, and OSC1Y registers at the expiration of the active timer, OAT1.

**Table 29. Associated Tone Generator Registers**

Tone Generator 1			
Parameter	Description / Range	Register Bits	Location
Oscillator 1 Frequency Coefficient	Sets oscillator frequency	OSC1[15:0]	Indirect Register 13
Oscillator 1 Amplitude Coefficient	Sets oscillator amplitude	OSC1X[15:0]	Indirect Register 14
Oscillator 1 initial phase coefficient	Sets initial phase	OSC1Y[15:0]	Indirect Register 15
Oscillator 1 Active Timer	0 to 8 seconds	OAT1[15:0]	Direct Registers 36 & 37
Oscillator 1 Inactive Timer	0 to 8 seconds	OIT1[15:0]	Direct Register 38 & 39
Oscillator 1 Control	Status and control registers	OSS1, REL, OZ1, O1TAE, O1TIE, O1E, O1SO[1:0]	Direct Register 32
Tone Generator 2			
Parameter	Description/Range	Register	Location
Oscillator 2 Frequency Coefficient	Sets oscillator frequency	OSC2[15:0]	Indirect Register 16
Oscillator 2 Amplitude Coefficient	Sets oscillator amplitude	OSC2X[15:0]	Indirect Register 17
Oscillator 2 initial phase coefficient	Sets initial phase	OSC2Y[15:0]	Indirect Register 18
Oscillator 2 Active Timer	0 to 8 seconds	OAT2[15:0]	Direct Registers 40 & 41
Oscillator 2 Inactive Timer	0 to 8 seconds	OIT2[15:0]	Direct Register 42 & 43
Oscillator 2 Control	Status and control registers	OSS2, OZ2, O2TAE, O2TIE, O2E, O2SO[1:0]	Direct Register 33

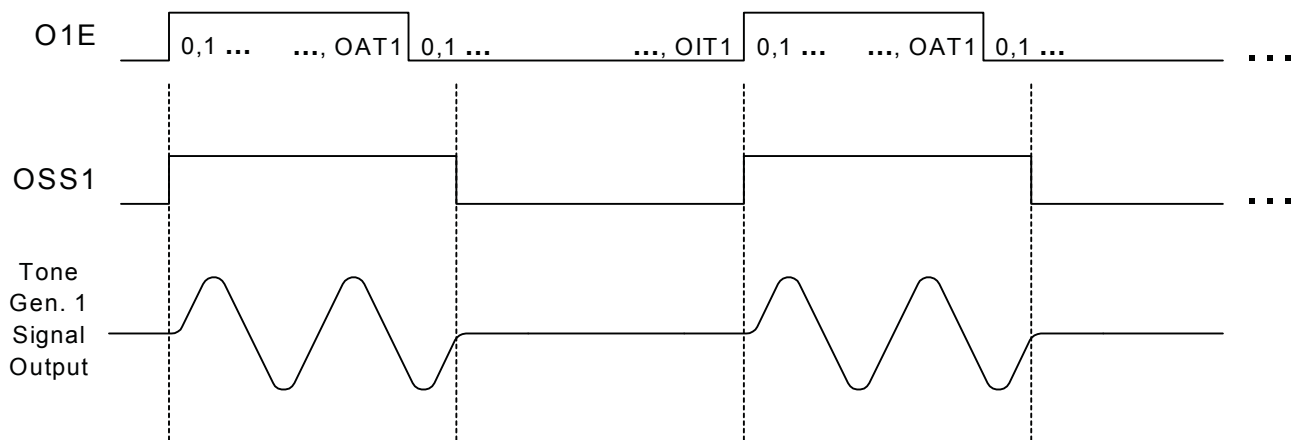


Figure 21. Tone Generator Timing Diagram

### 2.3.4. Enhanced FSK Waveform Generation

Silicon revisions C and higher support enhanced FSK generation capabilities, which can be enabled by setting FSKEN = 1 (direct Register 108, bit 6) and REN = 1 (direct Register 32, bit 6). In this mode, the user can define mark (1) and space (0) attributes once during initialization by defining indirect registers 99–104. The user need only indicate 0-to-1 and 1-to-0 transitions in the information stream. By writing to FSKDAT (direct Register 52), this mode applies a 24 kHz sample rate to tone generator 1 to give additional resolution to timers and frequency generation. “AN32: Si321x Frequency Shift Keying (FSK) Modulation” gives detailed instructions on how to implement FSK in this mode. Additionally, sample source code is available from Silicon Laboratories upon request.

### 2.3.5. Tone Generator Interrupts

Both the active and inactive timers can generate their own interrupt to signal “on/off” transitions to the software. The timer interrupts for tone generator 1 can be individually enabled by setting the O1AE and O1IE bits (direct Register 21, bits 0 and 1, respectively). Timer interrupts for tone generator two are O2AE and O2IE (direct Register 21, bits 2 and 3, respectively). A pending interrupt for each of the timers is determined by reading the O1AP, O1IP, O2AP, and O2IP bits in the Interrupt Status 1 register (direct Register 18, bits 0 through 3, respectively).

## 2.4. Ringing Generation

The ProSLIC provides fully-programmable internal balanced ringing with or without a dc offset to ring a wide variety of terminal devices. All parameters associated with ringing (ringing frequency, waveform, amplitude, dc offset, and ringing cadence) are software-programmable. Both sinusoidal and trapezoidal ringing waveforms are supported, and the trapezoidal crest factor is programmable. Ringing signals of up to 88 V peak or more can be generated, enabling the ProSLIC to drive a 5 REN (1380  $\Omega$  + 40  $\mu$ F) ringer load across loop lengths of 2000 feet (160  $\Omega$ ) or more.

### 2.4.1. Ringing Architecture

The ringing generator architecture is nearly identical to that of the tone generator. The sinusoidal ringing waveform is generated using an internal two-pole resonance oscillator circuit with programmable frequency and amplitude. However, since ringing frequencies are very low compared to the audio band signaling frequencies, the ringing waveform is generated at a rate of 1 kHz instead of 8 kHz.

The ringing generator has two timers that function the same as the tone generator timers. They allow on/off cadence settings of up to 8 seconds on and 8 seconds off. In addition to controlling ringing cadence, these timers control the transition into and out of the ringing state. Table 30 summarizes the list of registers used for ringing generation.

**Note:** Tone generator 2 should not be enabled concurrently with the ringing generator due to resource sharing within the hardware.

**Table 30. Registers for Ringing Generation**

Parameter	Range/ Description	Register Bits	Location
Ringing Waveform	Sine/Trapezoid	TSWS	Direct Register 34
Ringing Voltage Offset Enable	Enabled/ Disabled	RVO	Direct Register 34
Ringing Active Timer Enable	Enabled/ Disabled	RTAE	Direct Register 34
Ringing Inactive Timer Enable	Enabled/ Disabled	RTIE	Direct Register 34
Ringing Oscillator Enable	Enabled/ Disabled	ROE	Direct Register 34
Ringing Oscillator Active Timer	0 to 8 seconds	RAT[15:0]	Direct Registers 48 and 49
Ringing Oscillator Inactive Timer	0 to 8 seconds	RIT[15:0]	Direct Registers 50 and 51
Linefeed Control (Initiates Ringing State)	Ringing State = 100b	LF[2:0]	Direct Register 64
High Battery Voltage	0 to -94.5 V	VBATH[5:0]	Direct Register 74
Ringing dc voltage offset	0 to 94.5 V	ROFF[15:0]	Indirect Register 19
Ringing frequency	15 to 100 Hz	RCO[15:0]	Indirect Register 20
Ringing amplitude	0 to 94.5 V	RNGX[15:0]	Indirect Register 21
Ringing initial phase	Sets initial phase for sinewave and period for trapezoid	RNGY[15:0]	Indirect Register 22
Common Mode Bias Adjust During Ringing	0 to 22.5 V	VCMR[3:0]	Indirect Register 40
<b>Note:</b> The ProSLIC uses registers that are both directly and indirectly mapped. A “direct” register is one that is mapped directly. An “indirect” register is one that is accessed using the indirect access registers (direct registers 28 through 31).			

When the ringing state is invoked by writing LF[2:0] = 100 (direct Register 64), the ProSLIC will go into the ringing state and start the first ring. At the expiration of RAT, the ProSLIC will turn off the ringing waveform and will go to the on-hook transmission state. At the expiration of RIT, ringing will again be initiated. This process will continue as long as the two timers are enabled and the Linefeed Control register is set to the ringing state.

### 2.4.2. Sinusoidal Ringing

To configure the ProSLIC for sinusoidal ringing, the frequency and amplitude are initialized by writing to the following indirect registers: RCO, RNGX, and RNGY. The equations for RCO, RNGX, RNGY are as follows:

$$RCO = \text{coeff} \times (2^{15})$$

where

$$\text{coeff} = \cos\left(\frac{2\pi f}{1000 \text{ Hz}}\right)$$

and f = desired ringing frequency in Hertz.

$$RNGX = \frac{1}{4} \times \sqrt{\frac{1 - \text{coeff}}{1 + \text{coeff}}} \times 2^{15} \times \frac{\text{Desired } V_{PK}(0 \text{ to } 94.5 \text{ V})}{96 \text{ V}}$$

$$RNGY = 0$$

The minimum allowed peak TIP-to-RING ringing voltage depends on the linefeed state. In the forward active linefeed state, the selected ringing amplitude (RNGX, Indirect Register 21) plus the selected ringing dc voltage offset (ROFF, Indirect Register 19) must be greater than the selected on-hook line voltage setting (VOC, direct Register 72). In the reverse active linefeed state, the selected ringing amplitude (RNGX, Indirect Register 21) minus the selected ringing dc voltage offset (ROFF, Indirect Register 19) must be greater than the selected on-hook line voltage setting (VOC, direct Register 72).

Using a 70 VPK 20 Hz ringing signal as an example, the equations are as follows:

$$\text{coeff} = \cos\left(\frac{2\pi \times 20}{1000 \text{ Hz}}\right) = 0.99211$$

$$RCO = 0.99211 \times (2^{15}) = 32509 = 7EFDh$$

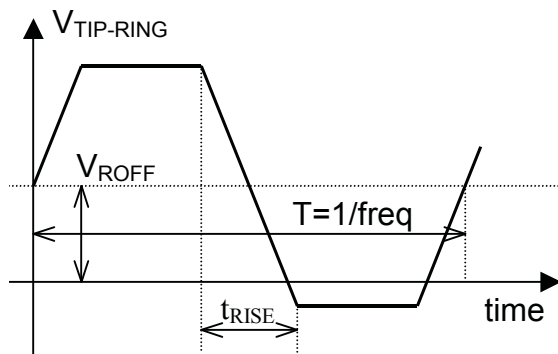
$$RNGX = \frac{1}{4} \times \sqrt{\frac{0.00789}{1.99211}} \times 2^{15} \times \frac{70}{96} = 376 = 0177h$$

$$RNGY = 0$$

In addition, the user must select the sinusoidal ringing waveform by writing TSWS = 0 (direct Register 34, bit 0).

### 2.4.3. Trapezoidal Ringing

In addition to the sinusoidal ringing waveform, the ProSLIC supports trapezoidal ringing. Figure 22 illustrates a trapezoidal ringing waveform with offset  $V_{ROFF}$ .



**Figure 22. Trapezoidal Ringing Waveform**

To configure the ProSLIC for trapezoidal ringing, the user should follow the same basic procedure as in the Sinusoidal Ringing section, but using the following equations:

$$RNGY = \frac{1}{2} \times \text{Period} \times 8000$$

$$RNGX = \frac{\text{Desired } V_{PK}}{96 V} \times (2^{15})$$

$$RCO = \frac{2 \times RNGX}{t_{RISE} \times 8000}$$

RCO is a value added or subtracted from the waveform to ramp the signal up or down in a linear fashion. This value is a function of rise time, period, and amplitude, where rise time and period are related through the following equation for the crest factor of a trapezoidal waveform.

$$t_{RISE} = \frac{3}{4} T \left( 1 - \frac{1}{CF^2} \right)$$

where T = ringing period, and CF = desired crest factor.

For example, to generate a 71  $V_{PK}$ , 20 Hz ringing signal, the equations are as follows:

$$RNGY(20 \text{ Hz}) = \frac{1}{2} \times \frac{1}{20 \text{ Hz}} \times 8000 = 200 = C8h$$

$$RNGX(71 V_{PK}) = \frac{71}{96} \times 2^{15} = 24235 = 5EABh$$

For a crest factor of 1.3 and a period of 0.05 seconds (20 Hz), the rise time requirement is 0.0153 seconds.

$$\begin{aligned} RCO(20 \text{ Hz, 1.3 crest factor}) \\ = \frac{2 \times 24235}{0.0153 \times 8000} = 396 = 018Ch \end{aligned}$$

In addition, the user must select the trapezoidal ringing waveform by writing TSWS = 1 in direct Register 34.

### 2.4.4. Ringing DC voltage Offset

A dc offset can be added to the ac ringing waveform by defining the offset voltage in ROFF (indirect Register 19). The offset,  $V_{ROFF}$ , is added to the ringing signal when RVO is set to 1 (direct Register 34, bit 1). The value of ROFF is calculated as follows:

$$ROFF = \frac{V_{ROFF}}{96} \times 2^{15}$$

### 2.4.5. Linefeed Considerations During Ringing

Care must be taken to keep the generated ringing signal within the ringing voltage rails (GNDA and  $V_{BAT}$ ) to maintain proper biasing of the external bipolar transistors. If the ringing signal nears the rails, a distorted ringing signal and excessive power dissipation in the external transistors results.

To prevent this invalid operation, set the  $V_{BATH}$  value (direct Register 74) to a value higher than the maximum peak ringing voltage. The discussion below outlines the considerations and equations that govern the selection of the  $V_{BATH}$  setting for a particular desired peak ringing voltage.

First, the required amount of ringing overhead voltage,  $V_{OVR}$ , is calculated based on the maximum value of current through the load,  $I_{LOAD,PK}$ , the minimum current gain of Q5 and Q6, and a reasonable voltage required to keep Q5 and Q6 out of saturation. For ringing signals up to  $V_{PK} = 87 \text{ V}$ ,  $V_{OVR} = 7.5 \text{ V}$  is a safe value. However, to determine  $V_{OVR}$  for a specific case, use the equations below.

$$I_{LOAD,PK} = \frac{V_{AC,PK}}{R_{LOAD}} + I_{OS} = V_{AC,PK} \times \frac{N_{REN}}{6.9 \text{ k}\Omega} + I_{OS}$$

where:

$N_{REN}$  is the ringing REN load (max value = 5),

$I_{OS}$  is the offset current flowing in the line driver circuit (max value = 2 mA), and

$V_{AC,PK}$  = amplitude of the ac ringing waveform.

It is good practice to provide a buffer of a few more milliamperes for  $I_{LOAD,PK}$  to account for possible line leakages, etc. The total  $I_{LOAD,PK}$  current should be smaller than 80 mA.

$$V_{OVR} = I_{LOAD,PK} \times \frac{\beta + 1}{\beta} \times (80.6 \Omega + 1 V)$$

where  $\beta$  is the minimum expected current gain of transistors Q5 and Q6.

The minimum value for  $V_{BATH}$  is therefore given by the following:

$$V_{BATH} = V_{AC,PK} + V_{ROFF} + V_{OVR}$$

The ProSLIC is designed to create a fully-balanced ringing waveform, meaning that the TIP and RING common mode voltage,  $(V_{TIP} + V_{RING})/2$ , is fixed. This voltage is referred to as  $V_{CM\_RING}$  and is automatically set to the following:

$$V_{CM\_RING} = \frac{V_{BATH} - V_{CMR}}{2}$$

$V_{CMR}$  is an indirect register, which provides the headroom by the ringing waveform with respect to the  $V_{BATH}$  rail. The value is set as a 4-bit setting in indirect Register 40 with an LSB voltage of 1.5 V/LSB. Register 40 should be set with the calculated  $V_{OVR}$  to provide voltage headroom during ringing.

Silicon revisions C and higher support the option to briefly increase the maximum differential current limit between the voltage transition of TIP and RING from

ringing to a dc linefeed state. This mode is enabled by setting  $ILIMEN = 1$  (direct Register 108, bit 7).

## 2.4.6. Ring Trip Detection

A ring trip event signals that the terminal equipment has gone off-hook during the ringing state. The ProSLIC performs ring trip detection digitally using its on-chip A/D converter. The functional blocks required to implement ring trip detection are shown in Figure 23. The primary input to the system is the loop current sense (LCS) value provided by the current monitoring circuitry and reported in direct Register 79. LCS data is processed by the input signal processor when the ProSLIC is in the ringing state as indicated by the Linefeed Shadow register (direct Register 64). The data then feeds into a programmable digital low-pass filter that removes unwanted ac signal components before threshold detection.

The output of the low-pass filter is compared to a programmable threshold,  $RPTP$  (indirect Register 29). The threshold comparator output feeds a programmable debouncing filter. The output of the debouncing filter remains in its present state unless the input remains in the opposite state for the entire period of time programmed by the ring trip debounce interval,  $RTDI[6:0]$  (direct Register 70). If the debounce interval has been satisfied, the RTP bit of direct Register 68 will be set to indicate that a valid ring trip has occurred. A ring trip interrupt is generated if enabled by the RTIE bit (direct Register 22). Table 31 lists the registers that must be written or monitored to correctly detect a ring trip condition.

The recommended values for  $RPTP$ ,  $NRTP$ , and  $RTDI$  vary according to the programmed ringing frequency. Register values for various ringing frequencies are given in Table 32.

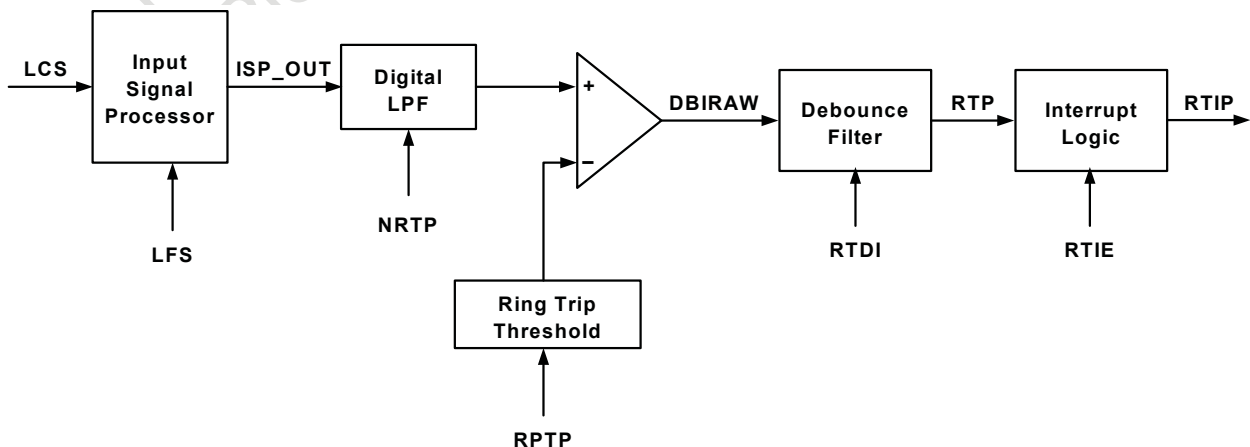


Figure 23. Ring Trip Detector

Table 31. Associated Registers for Ring Trip Detection

Parameter	Register	Location
Ring Trip Interrupt Pending	RTIP	Direct Register 19
Ring Trip Interrupt Enable	RTIE	Direct Register 22
Ring Trip Detect Debounce Interval	RTDI[6:0]	Direct Register 70
Ring Trip Threshold	RPTP[5:0]	Indirect Register 29
Ring Trip Filter Coefficient	NRTP[12:0]	Indirect Register 36
Ring Trip Detect Status (monitor only)	RTP	Direct Register 68

**Note:** The ProSLIC uses registers that are both directly and indirectly mapped. A “direct” register is one that is mapped directly. An “indirect” register is one that is accessed using the indirect access registers (direct registers 28 through 31).

Table 32. Recommended Ring Trip Values for Ringing

Ringing Frequency	NRTP		RPTP		RTDI	
	decimal	hex	decimal	hex	decimal	hex
Hz						
16.667	64	0200	34 mA	3600	15.4 ms	0F
20	100	0320	34 mA	3600	12.3 ms	0B
30	112	0380	34 mA	3600	8.96 ms	09
40	128	0400	34 mA	3600	7.5 ms	07
50	213	06A8	34 mA	3600	5 ms	05
60	256	0800	34 mA	3600	4.8 ms	05

## 2.5. Pulse Metering Generation

There is an additional tone generator suitable for generating tones above the audio frequency. This oscillator is provided for the generation of billing tones that are typically 12 kHz or 16 kHz. The generator follows the same algorithm as described in "2.3. Tone Generation" on page 40 with the exception that the sample rate for computation is 64 kHz instead of 8 kHz. The equations are as follows:

$$\text{coeff} = \cos\left(\frac{2\pi f}{64000 \text{ Hz}}\right)$$

$$\text{PLSCO} = \text{coeff} \times (2^{15} - 1)$$

$$\text{PLSX} = \frac{1}{4} \sqrt{\frac{1 - \text{coeff}}{1 + \text{coeff}}} \times (2^{15} - 1) \times \frac{\text{Desired } V_{\text{rms}}}{\text{Full Scale } V_{\text{rms}}}$$

where full scale  $V_{\text{rms}} = 0.85 V_{\text{rms}}$  for a matched load.

The initial phase of the pulse metering signal is set to 0 internally; so, there is no register to serve this purpose.

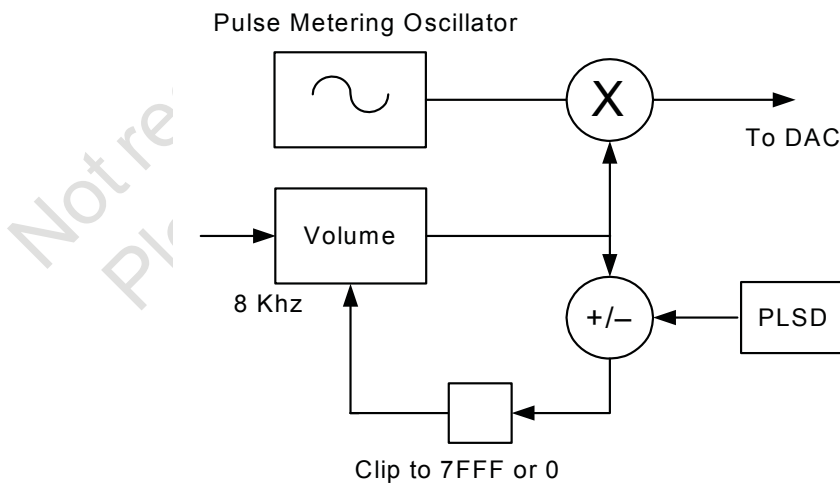
The pulse metering generator timers and associated pulse metering timer registers are similar to those of the tone generators. These timers count 8 kHz sample periods like the other tones even though the sinusoid is generated at 64 kHz.

**Table 33. Associated Pulse Metering Generator Registers**

Parameter	Description / Range	Register Bits	Location
Pulse Metering Frequency Coefficient	Sets oscillator frequency	PLSCO[15:0]	Indirect Register 25
Pulse Metering Amplitude Coefficient	Sets oscillator amplitude	PLSX[15:0]	Indirect Register 24
Pulse Metering Attack/Decay Ramp Rate	0 to PLSX (full amplitude)	PLSD[15:0]	Indirect Register 23
Pulse Metering Active Timer	0 to 8 seconds	PAT[15:0]	Direct Registers 44 & 45
Pulse Metering Inactive Timer	0 to 8 seconds	PIT[15:0]	Direct Register 46 & 47
Pulse Metering Control	Status and control registers	PSTAT, PMAE, PMIE, PMOE	Direct Register 35

**Note:** The ProSLIC uses registers that are both directly and indirectly mapped. A direct register is one that is mapped directly. An indirect register is one that is accessed using the indirect access registers (direct registers 28 through 31).

The pulse metering oscillator has a volume envelope (linear ramp) on the on/off transitions of the oscillator. The volume value is incremented by the value in the PLSD register (indirect Register 23) at an 8 kHz rate. The sinusoidal generator output is multiplied by this volume before being sent to the DAC. The volume will ramp from 0 to 7FFF in increments of PLSD; so, the value of PLSD will set the slope of the ramp. When the pulse metering signal is turned off, the volume will ramp to 0 by decrementing according to the value of PLSD.



**Figure 24. Pulse Metering Volume Envelope**

## 2.6. DTMF Detection

The dual-tone multi-frequency (DTMF) tone signaling standard is also known as touch tone. It is an in-band signaling system used to replace the pulse-dial signaling standard. In DTMF, two tones are used to generate a DTMF digit. One tone is chosen from four possible row tones, and one tone is chosen from four possible column tones. The sum of these tones constitutes one of 16 possible DTMF digits.

### 2.6.1. DTMF Detection Architecture

DTMF detection is performed using a modified Goertzel algorithm to compute the dual frequency tone (DFT) for each of the eight DTMF frequencies as well as their second harmonics. At the end of the DFT computation, the squared magnitudes of the DFT results for the eight DTMF fundamental tones are computed. The row results are sorted to determine the strongest row frequency; the column frequencies are sorted as well. At the completion of this process, a number of checks are made to determine whether the strongest row and column tones constitute a DTMF digit.

The detection process is performed twice within the 45 ms minimum tone time. A digit must be detected on two consecutive tests following a pause to be recognized as a new digit. If all tests pass, an interrupt is generated, and the DTMF digit value is loaded into the DTMF register. If tones occur at the maximum rate of 100 ms per digit, the interrupt must be serviced within 85 ms so that the current digit is not overwritten by a new one. There is no buffering of the digit information.

## 2.7. Audio Path

Unlike traditional SLICs, the codec function is integrated into the ProSLIC. The 16-bit codec offers programmable gain/attenuation blocks and several loopback modes. The signal path block diagram is shown in Figure 25.

### 2.7.1. Transmit Path

In the transmit path, the analog signal fed by the external ac coupling capacitors is amplified by the analog transmit amplifier, ATX, prior to the A/D converter. The gain of the ATX is user-selectable to one of mute/-3.5/0/3.5 dB options. The main role of ATX is to coarsely adjust the signal swing to be as close as possible to the full-scale input of the A/D converter in order to maximize the signal-to-noise ratio of the transmit path. After passing through an anti-aliasing filter, the analog signal is processed by the A/D converter, producing an 8 kHz, 16-bit wide, linear PCM data stream. The standard requirements for transmit path attenuation for signals above 3.4 kHz are implemented as part of the combined decimation filter characteristic of the A/D converter. One more digital

filter is available in the transmit path: THPF. THPF implements the high-pass attenuation requirements for signals below 65 Hz. The linear PCM data stream output from THPF is amplified by the transmit-path programmable gain amplifier, ADCG, which can be programmed from  $-\infty$  dB to 6 dB. The DTMF decoder can receive the linear PCM data stream at this point to perform the digit extraction when enabled by the user. The final step in transmit path signal processing is the user-selectable A-law or  $\mu$ -law compression, which can reduce the data stream word width to 8 bits. Depending on the PCM\_Mode register selection, every 8-bit compressed serial data word will occupy one time slot on the PCM highway, or every 16-bit uncompressed serial data word will occupy two time slots on the PCM highway.

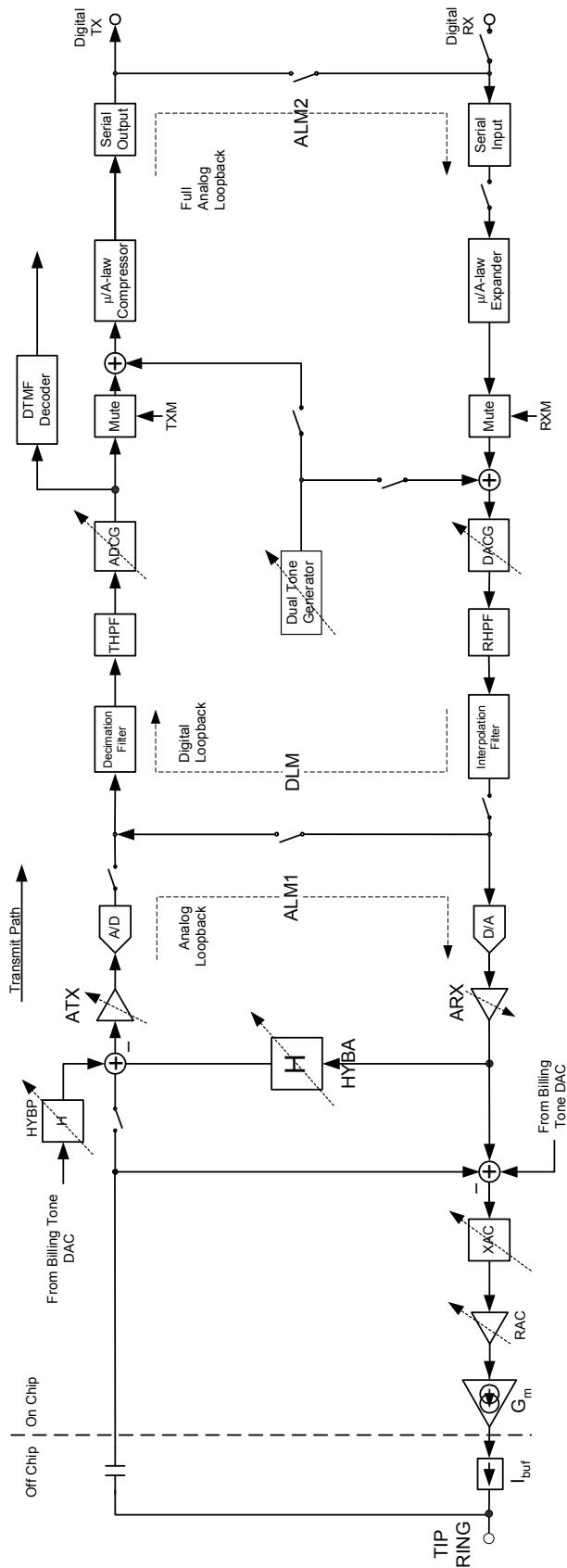


Figure 25. AC Signal Path Block Diagram

### 2.7.2. Receive Path

In the receive path, the optionally-compressed 8-bit data is first expanded to 16-bit words. The PCMF register bit can bypass the expansion process, in which case two 8-bit words are assembled into one 16-bit word. DACG is the receive path programmable gain amplifier, which can be programmed from  $-\infty$  dB to 6 dB. An 8 kHz, 16-bit signal is then provided to a D/A converter. The resulting analog signal is amplified by the analog receive amplifier, ARX, which is user-selectable to one of several options: mute,  $-3.5$ , 0, or 3.5 dB. It is then applied at the input of the transconductance amplifier (Gm), which drives the off-chip current buffer ( $I_{BUF}$ ).

### 2.7.3. Audio Characteristics

The dominant source of distortion and noise in both the transmit and receive paths is the quantization noise introduced by the  $\mu$ -law or the A-law compression process. Figure 1 on page 6 specifies the minimum signal-to-noise-and-distortion ratio for either path for a sine wave input of 200 Hz to 3400 Hz.

Both the  $\mu$ -law and the A-law speech encoding allow the audio codec to transfer and process audio signals larger than 0 dBm0 without clipping. The maximum PCM code is generated for a  $\mu$ -law encoded sine wave of 3.17 dBm0 or an A-law encoded sine wave of 3.14 dBm0. The ProSLIC overload clipping limits are driven by the PCM encoding process. Figure 2 on page 6 shows the acceptable limits for the analog-to-analog fundamental power transfer-function, which bounds the behavior of ProSLIC.

The transmit path gain distortion versus frequency is shown in Figure 3 on page 7. The same figure also presents the minimum required attenuation for any out-of-band analog signal that may be applied on the line. Note the presence of a high-pass filter transfer function that ensures at least 30 dB of attenuation for signals below 65 Hz. The low-pass filter transfer function that attenuates signals above 3.4 kHz has to exceed the requirements specified by the equations in Figure 3 on page 7 and is implemented as part of the A-to-D converter.

The receive path transfer function requirement, shown in Figure 4 on page 8, is very similar to the transmit path transfer function. The most notable difference is the absence of the high-pass filter portion. The only other differences are the maximum 2 dB of attenuation at 200 Hz (as opposed to 3 dB for the transmit path) and the 28 dB of attenuation for any frequency above 4.6 kHz. The PCM data rate is 8 kHz and, thus, no frequencies greater than 4 kHz can be digitally encoded in the data stream.

From this point of view, at frequencies greater than 4 kHz, the plot in Figure 4 should be interpreted as the maximum allowable magnitude of any spurious signals that are generated when a PCM data stream representing a sine wave signal in the range of 300 Hz to 3.4 kHz at a level of 0 dBm0 is applied at the digital input.

The group delay distortion in either path is limited to no more than the levels indicated in Figure 5 on page 9. The reference in Figure 5 is the smallest group delay for a sine wave in the range of 500 Hz to 2500 Hz at 0 dBm0.

The block diagram for the voice-band signal processing paths is shown in Figure 25. Both the receive and transmit paths employ the optimal combination of analog and digital signal processing to provide maximum performance while offering sufficient flexibility to allow users to optimize for their particular ProSLIC application. All programmable signal-processing blocks are indicated symbolically in Figure 25 by a dashed arrow across them. The two-wire (TIP/RING) voice-band interface to the ProSLIC is implemented using a small number of external components. The receive path interface consists of a unity-gain current buffer,  $I_{BUF}$ , while the transmit path interface is simply an ac coupling capacitor. Signal paths, although implemented differentially, are shown as single-ended for simplicity.

### 2.7.4. Transhybrid Balance

The ProSLIC provides programmable transhybrid balance with gain block H. (See Figure 25.) In the ideal case, where the synthesized SLIC impedance exactly matches the subscriber loop impedance, the transhybrid balance should be set to subtract a  $-6$  dB level from the transmit path signal. The transhybrid balance gain can be adjusted from  $-2.77$  dB to  $+4.08$  dB around the ideal setting of  $-6$  dB by programming the HYBA[2:0] bits of the Hybrid Control register (direct Register 11). Note that adjusting any of the analog or digital gain blocks will not require any modification of the transhybrid balance gain block, as the transhybrid gain is subtracted from the transmit path signal prior to any gain adjustment stages. If desired, the transhybrid balance can also be disabled using the appropriate register setting.

### 2.7.5. Loopback Testing

Four loopback test options are available in the ProSLIC:

- The full analog loopback (ALM2) tests almost all the circuitry of both the transmit and receive paths. The compressed 8-bit word transmit data stream is fed back serially to the input of the receive path expander. (See Figure 25.) The signal path starts with the analog signal at the input of the transmit

path and ends with an analog signal at the output of the receive path.

- An additional analog loopback (ALM1) takes the digital stream at the output of the A/D converter and feeds it back to the D/A converter. (See Figure 25.) The signal path starts with the analog signal at the input of the transmit path and ends with an analog signal at the output of the receive path. This loopback option allows testing of the analog signal processing circuitry of the Si3210 to be carried out completely independently of any activity in the DSP.
- The full digital loopback tests almost all the circuitry of both the transmit and receive paths. The analog signal at the output of the receive path are fed back to the input of the transmit path by way of the hybrid filter path. (See Figure 25.) The signal path starts with 8-bit PCM data input to the receive path and ends with 8-bit PCM data at the output of the transmit path. The user can bypass the companding process and interface directly to the 16-bit data.
- An additional digital loopback (DLM) takes the digital stream at the input of the D/A converter in the receive path and feeds it back to the transmit A/D digital filter. The signal path starts with 8-bit PCM data input to the receive path and ends with 8-bit PCM data at the output of the transmit path. This loopback option allows the testing of the digital signal processing circuitry of the Si3210 to be carried out completely independently of any analog signal processing activity. The user can bypass the companding process and interface directly to the 16-bit data.

## 2.8. Two-Wire Impedance Matching

The ProSLIC provides on-chip, programmable, two-wire impedance settings to meet a wide variety of worldwide two-wire return loss requirements. The two-wire impedance is programmed by loading one of the eight available impedance values into the TISS[2:0] bits of the Two-Wire Impedance Synthesis Control register (direct Register 10). If direct Register 10 is not user-defined, the default setting of 600  $\Omega$  will be loaded into the TISS register.

Real and complex two-wire impedances are realized by internal feedback of a programmable amplifier (RAC), a switched capacitor network (XAC), and a transconductance amplifier ( $G_m$ ). (See Figure 25.) RAC creates the real portion, and XAC creates the imaginary portion of  $G_m$ 's input.  $G_m$  then creates a current that models the desired impedance value to the subscriber loop. The differential ac current is fed to the subscriber loop via the ITIPP and IRINGP pins through an off-chip current buffer,  $I_{BUF}$ , which is implemented using

transistors Q1 and Q2 (see Figure 13 on page 24).  $G_m$  is referenced to an off-chip resistor ( $R_{15}$ ).

The ProSLIC also provides a means of compensating for degraded subscriber loop conditions involving excessive line capacitance (leakage). The CLC[1:0] bits of direct Register 10 increase the ac signal magnitude to compensate for the additional loss at the high end of the audio frequency range. The default setting of CLC[2:0] assumes no line capacitance.

Silicon revisions C and higher support the option to remove the internal reference resistor used to synthesize ac impedances for 600 + 2.16  $\mu$ F and 900 + 2.16  $\mu$ F settings so that an external resistor reference may be used. This option is enabled by setting ZSEXT = 1 (direct Register 108, bit 4).

## 2.9. Clock Generation

The ProSLIC will generate the necessary internal clock frequencies from the PCLK input. PCLK must be synchronous to the 8 kHz FSYNC clock and run at one of the following rates: 256 kHz, 512 kHz, 768 kHz, 1.024 MHz, 1.536 MHz, 2.048 MHz, 4.096 MHz or 8.192 MHz. (Note that 768 kHz and 1.536 MHz are not valid rates for GCI mode.) The ratio of the PCLK rate to the FSYNC rate is determined via a counter clocked by PCLK. The three-bit ratio information is automatically transferred into an internal register, PLL\_MULT, following a reset of the ProSLIC. The PLL\_MULT is used to control the internal PLL, which multiplies PCLK as needed to generate the 16.384 MHz rate needed to run the internal filters and other circuitry.

The PLL clock synthesizer settles very quickly following powerup. However, the settling time depends on the PCLK frequency, and it can be approximated by the following equation:

$$T_{SETTLE} = \frac{64}{F_{PCLK}}$$

## 2.10. Interrupt Logic

The ProSLIC is capable of generating interrupts for the following events:

- Loop current/ring ground detected
- Ring trip detected
- Power alarm
- DTMF digit detected
- Active timer 1 expired
- Inactive timer 1 expired
- Active timer 2 expired
- Inactive timer 2 expired
- Ringing active timer expired
- Ringing inactive timer expired

- Pulse metering active timer expired
- Pulse metering inactive timer expired
- Indirect register access complete

The interface to the interrupt logic consists of six registers. Three interrupt status registers contain one bit for each of the above interrupt functions. These bits will be set when an interrupt is pending for the associated resource. Three interrupt enable registers also contain one bit for each interrupt function. In the case of the interrupt enable registers, the bits are active high. Refer to the appropriate functional description section for operational details of the interrupt functions.

When a resource reaches an interrupt condition, it will signal an interrupt to the interrupt control block. The interrupt control block will then set the associated bit in the interrupt status register if the enable bit for that interrupt is set. The INT pin is a NOR of the bits of the interrupt status registers. Therefore, if a bit in the interrupt status registers is asserted, IRQ will assert low. Upon receiving the interrupt, the interrupt handler should read interrupt status registers to determine which resource is requesting service. To clear a pending interrupt, write the desired bit in the appropriate interrupt status register to 1. Writing a 0 has no effect. This provides a mechanism for clearing individual bits when multiple interrupts occur simultaneously. While the interrupt status registers are non-zero, the INT pin will remain asserted.

## 2.11. Serial Peripheral Interface

The control interface to the ProSLIC is a 4-wire interface modeled after commonly-available micro-controller and serial peripheral devices. The interface consists of a clock (SCLK), chip select ( $\overline{CS}$ ), serial data input (SDI), and serial data output (SDO). Data is transferred a byte at a time with each register access consisting of a pair of byte transfers. Figures 26 and 27 illustrate read and write operation in the SPI bus.

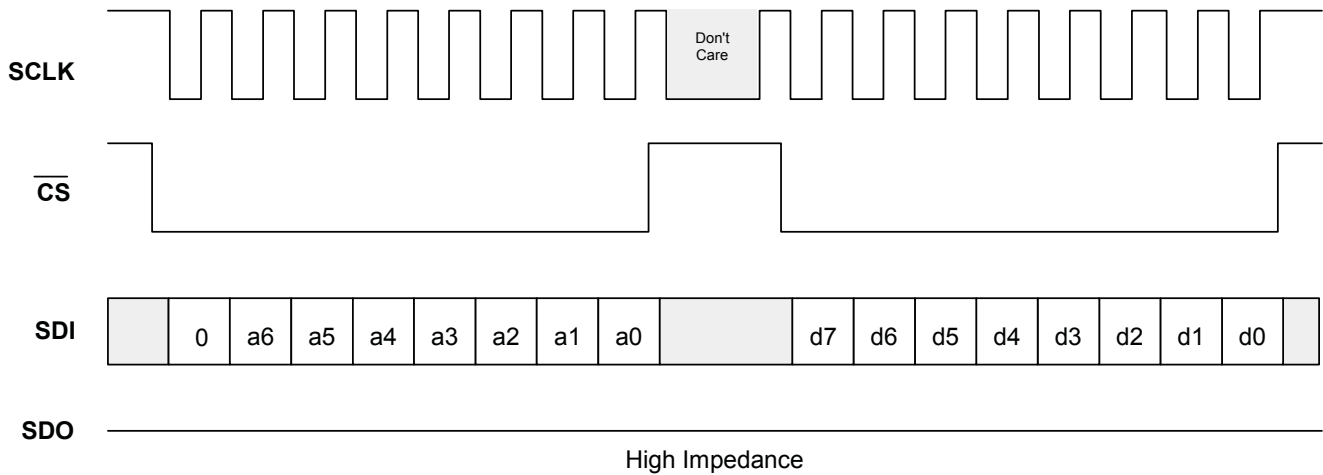
The first byte of the pair is the command/address byte. The MSB of this byte indicates a register read when 1 and a register write when 0. The remaining seven bits of the command/address byte indicate the address of the register to be accessed. The second byte of the pair is the data byte. Because the falling edge of  $\overline{CS}$  provides resynchronization of the SPI state machine in the event of a framing error, it is recommended (but not required) that  $\overline{CS}$  be taken high between byte transfers as shown in Figures 26 and 27.

During a read operation, the SDO becomes active and the 8-bit contents of the register are driven out MSB first. The SDO will be high impedance on either the falling edge of SCLK following the LSB, or the rising of  $\overline{CS}$  as specified by the SPIM bit (direct Register 0, bit 6). SDI is a “don’t care” during the data portion of read operations. During write operations, data is driven into the ProSLIC via the SDI pin MSB first. The SDO pin will remain high impedance during write operations. Data always transitions with the falling edge of the clock and is latched on the rising edge. The clock should return to a logic high when no transfer is in progress.

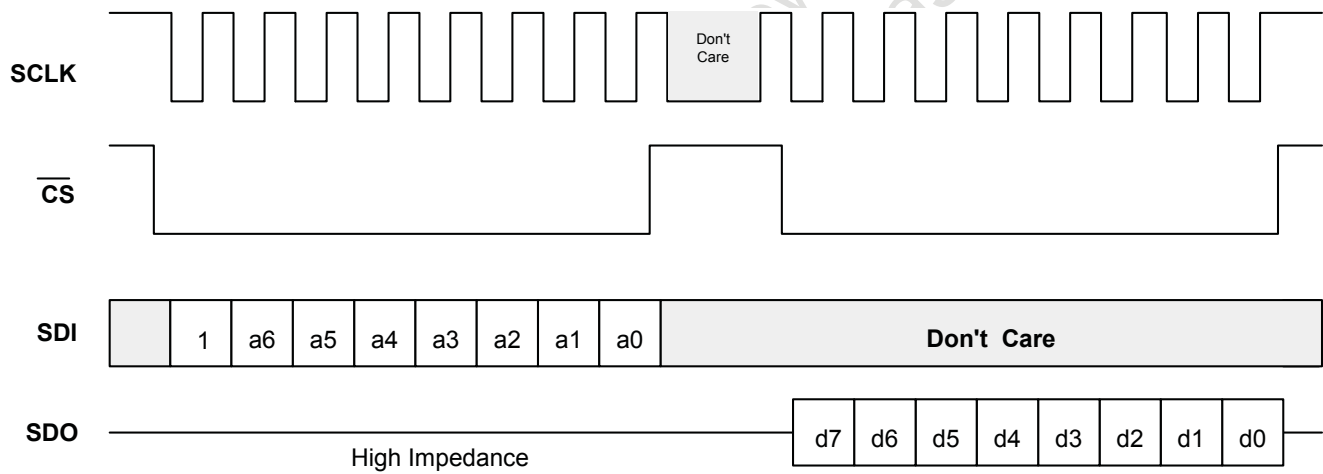
Indirect registers are accessed through direct registers 29 through 30. Instructions on how to access them is described in “3. Control Registers” beginning on page 60.

There are a number of variations of usage on this four-wire interface:

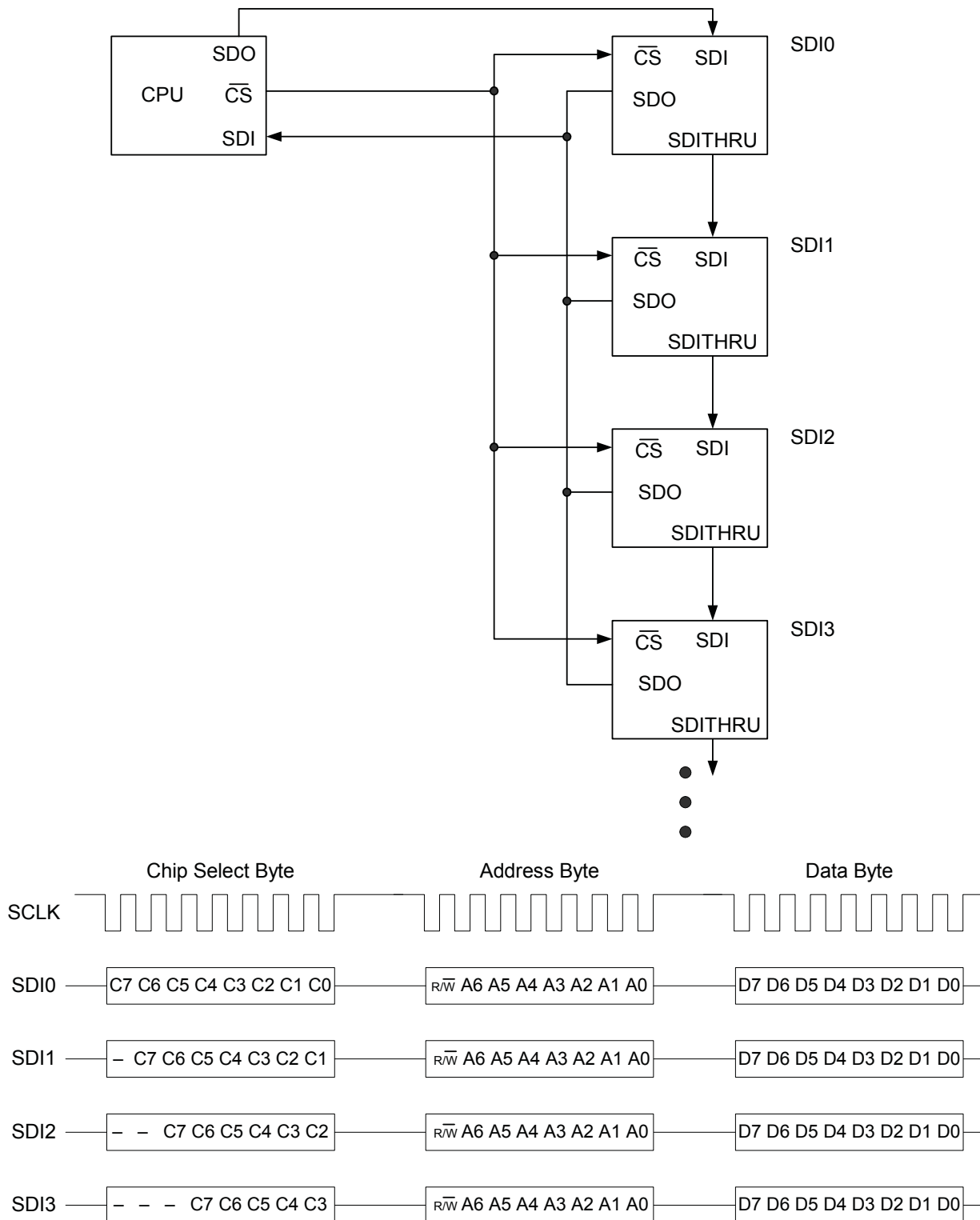
- **Continuous Clocking:** During continuous clocking, the data transfers are controlled by the assertion of the  $\overline{CS}$  pin.  $\overline{CS}$  must assert before the falling edge of SCLK on which the first bit of data is expected during a read cycle, and must remain low for the duration of the 8-bit transfer (command/address or data).
- **SDI/SDO Wired Operation:** Independent of the clocking options described, SDI and SDO can be treated as two separate lines or wired together if the master is capable of tristating its output during the data byte transfer of a read operation.
- **Daisy Chain Mode:** This mode allows communication with banks of up to eight ProSLIC devices using one chip select signal. When the SPIDC bit in the SPI Mode Select register is set, data transfer mode changes to a 3-byte operation: a chip select byte, an address/control byte, and a data byte. Using the circuit shown in Figure 28, a single device may select from the bank of devices by setting the appropriate chip select bit to 1. Each device uses the LSB of the chip select byte, shifts the data right by one bit, and passes the chip select byte using the SDITHRU pin to the next device in the chain. Address/control and data bytes are unaltered.



**Figure 26. Serial Write 8-Bit Mode**



**Figure 27. Serial Read 8-Bit Mode**



Note: During chip select byte, SDITHRU = SDI delayed by one SCLK. Each device daisy-chained looks at the LSB of the chip select byte for its chip select.

**Figure 28. SPI Daisy Chain Mode**

## 2.12. PCM Interface

The ProSLIC contains a flexible programmable interface for the transmission and reception of digital PCM samples. PCM data transfer is controlled via the PCLK and FSYNC inputs as well as PCM Mode Select (direct Register 1), PCM Transmit Start Count (direct registers 2 and 3), and PCM Receive Start Count (direct registers 4 and 5). The interface can be configured to support from 4 to 128 8-bit timeslots in each frame. This corresponds to PCLK frequencies of 256 kHz to 8.192 MHz in power of 2 increments. (768 kHz and 1.536 MHz are also available, but these frequencies are not valid for GCI mode.) Timeslots for data transmission and reception are independently configured using the TXS and RXS registers. By setting the correct starting point of the data, the ProSLIC can be configured to support long FSYNC and short FSYNC variants as well as IDL2 8-bit, 10-bit, B1 and B2 channel time slots. DTX data is high-impedance except for the duration of the 8-bit PCM transmit.

DTX will return to high impedance either on the negative edge of PCLK during the LSB or on the positive edge of PCLK following the LSB. This is based on the setting of the TRI bit of the PCM Mode Select register. Tristating on the negative edge allows the transmission of data by multiple sources in adjacent timeslots without the risk of driver contention. In addition to 8-bit data modes, there is a 16-bit mode provided. This mode can be activated via the PCMT bit of the PCM Mode Select register. GCI timing is also supported in which the duration of a data bit is two PCLK cycles. This mode is also activated via the PCM Mode Select register. Setting the TXS or RXS register greater than the number of PCLK cycles in a sample period will stop data transmission because TXS or RXS will never equal the PCLK count. Figures 29–32 illustrate the usage of the PCM highway interface to adapt to common PCM standards.

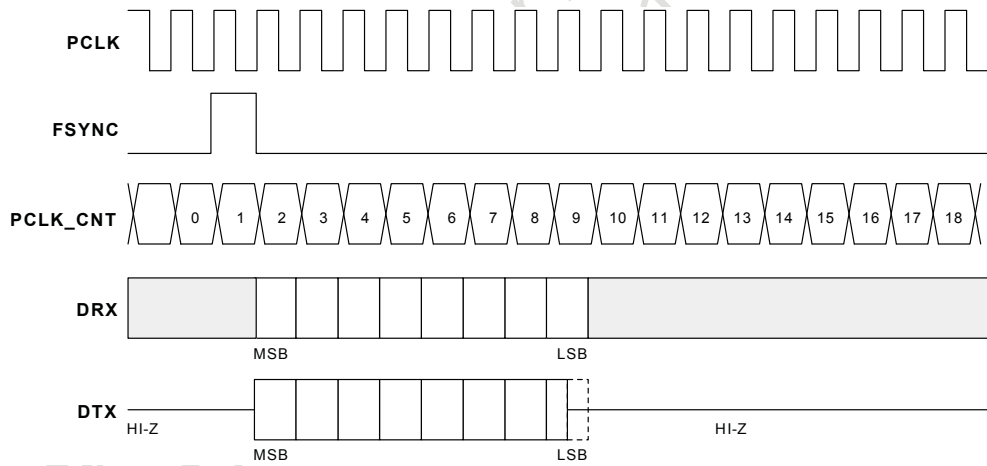


Figure 29. Example, Timeslot 1, Short FSYNC (TXS/RXS = 1)

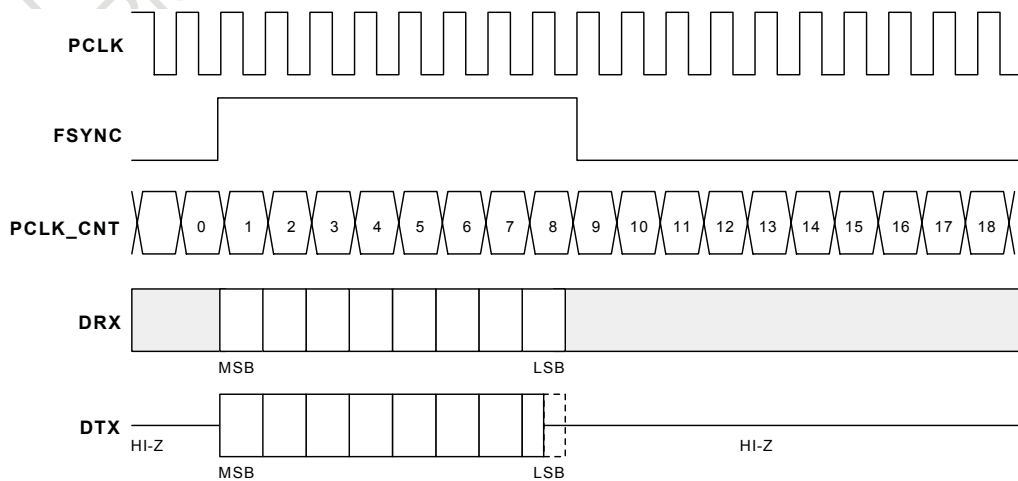
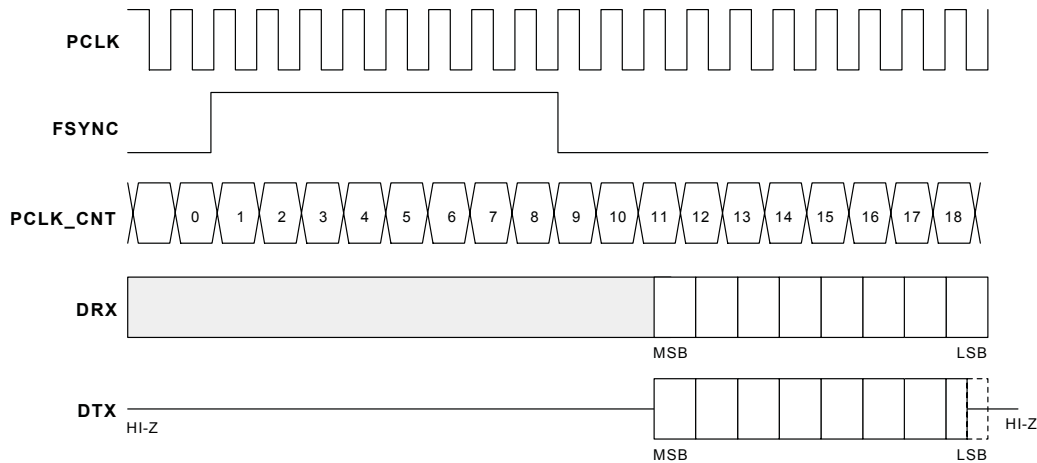
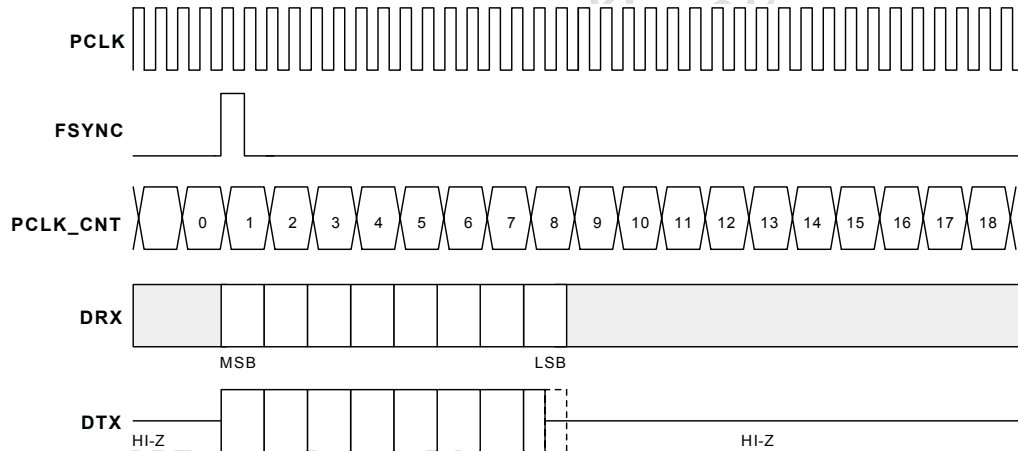


Figure 30. Example, Timeslot 1, Long FSYNC (TXS/RXS = 0)



**Figure 31. Example, IDL2 Long FSYNC, B2, 10-Bit Mode (TXS/RXS = 10)**



**Figure 32. GCI Example, Timeslot 1 (TXS/RXS = 0)**

## 2.13. Companding

The ProSLIC supports both  $\mu$ -255 Law and A-Law companding formats in addition to linear data. These 8-bit companding schemes follow a segmented curve formatted as sign bit, three chord bits, and four step bits.  $\mu$ -255 Law is more commonly used in North America and Japan, while A-Law is primarily used in Europe. Data format is selected via the PCMF register. Tables 34 and 35 define the  $\mu$ -Law and A-Law encoding formats.

# Si3210/Si3211

Table 34.  $\mu$ -Law Encode-Decode Characteristics<sup>1,2</sup>

Segment Number	#Intervals X Interval Size	Value at Segment Endpoints	Digital Code	Decode Level
8	16 X 256	8159	10000000b	8031
		. . . . . 4319 4063	10001111b	4191
7	16 X 128	. . . . . 2143 2015	10011111b	2079
		. . . . . 1055 991	10101111b	1023
6	16 X 64	. . . . . 511 479	10111111b	495
		. . . . . 239 223	11001111b	231
5	16 X 32	. . . . . 103 95	11011111b	99
		. . . . . 35 31	11101111b	33
4	16 X 16	. . . . . 3 1 0	11111110b 11111111b	2 0
		. . . . . 1 X 1		

**Notes:**

1. Characteristics are symmetrical about analog zero with sign bit = 0 for negative analog values.
2. Digital code includes inversion of all magnitude bits.

Table 35. A-Law Encode-Decode Characteristics<sup>1,2</sup>

Segment Number	#intervals X interval size	Value at segment endpoints	Digital Code	Decode Level
7	16 X 128	4096 3968 . . 2176 2048	10101010b    10100101b	4032    2112
6	16 X 64	. . . 1088 1024	   10110101b	   1056
5	16 X 32	. . . 544 512	   10000101b	   528
4	16 X 16	. . 272 256	  10010101b	  264
3	16 X 8	. . 136 128	  11100101b	  132
2	16 X 4	. . . 68 64	   11110101b	   66
1	32 X 2	. . . 2 0	   11010101b	   1

**Notes:**

- Characteristics are symmetrical about analog zero with sign bit = 0 for negative values.
- Digital code includes inversion of all even numbered bits.

# Si3210/Si3211

## 3. Control Registers

**Note:** Any register not listed here is reserved and must not be written.

**Table 36. Direct Register Summary**

Register	Name	Bit 7	Bit 6	Bit 5	Bit 4	Bit 3	Bit 2	Bit 1	Bit 0
<b>Setup</b>									
0	SPI Mode Select	SPIDC	SPIM	PNI[1:0]		RNI[3:0]			
1	PCM Mode Select	PNI2		PCME	PCMF[1:0]	PCMT	GCI	TRI	
2	PCM Transmit Start Count—Low Byte	TXS[7:0]							
3	PCM Transmit Start Count—High Byte							TXS[9:8]	
4	PCM Receive Start Count—Low Byte	RXS[7:0]							
5	PCM Receive Start Count—High Byte							RXS[9:8]	
6	Digital Input/Output Control				DOUT <sup>1</sup>	DIO2 <sup>1</sup>	DIO1 <sup>1</sup>	PD2 <sup>1</sup>	PD1 <sup>1</sup>
<b>Audio</b>									
8	Audio Path Loopback Control						ALM2	DLM	ALM1
9	Audio Gain Control	RXHP	TXHP	TXM	RXM	ATX[1:0]		ARX[1:0]	
10	Two-Wire Impedance Synthesis Control			CLC[1:0]		TISE	TISS[2:0]		
11	Hybrid Control			HYBP[2:0]			HYBA[2:0]		
<b>Powerdown</b>									
14	Powerdown Control 1			PMON	DCOF <sup>2</sup>	MOF		BIASOF	SLICOF
15	Powerdown Control 2			ADCM	ADCON	DACM	DACON	GMM	GMON
<b>Interrupts</b>									
18	Interrupt Status 1	PMIP	PMAP	RGIP	RGAP	O2IP	O2AP	O1IP	O1AP
19	Interrupt Status 2	Q6AP	Q5AP	Q4AP	Q3AP	Q2AP	Q1AP	LCIP	RTIP
20	Interrupt Status 3						CMCP	INDP	DTMFP
21	Interrupt Enable 1	PMIE	PMAE	RGIE	RGAE	O2IE	O2AE	O1IE	O1AE
22	Interrupt Enable 2	Q6AE	Q5AE	Q4AE	Q3AE	Q2AE	Q1AE	LCIE	RTIE
23	Interrupt Enable 3						CMCE	INDE	DTMFE
24	Decode Status				VAL	DIG[3:0]			
<b>Indirect Register Access</b>									
<b>Notes:</b>									
1. Si3211 only.									
2. Si3210 only.									

Table 36. Direct Register Summary (Continued)

Register	Name	Bit 7	Bit 6	Bit 5	Bit 4	Bit 3	Bit 2	Bit 1	Bit 0
28	Indirect Data Access— Low Byte	IDA[7:0]							
29	Indirect Data Access— High Byte	IDA[15:8]							
30	Indirect Address	IAA[7:0]							
31	Indirect Address Status								IAS
<b>Oscillators</b>									
32	Oscillator 1 Control	OSS1	REL	OZ1	O1TAE	O1TIE	O1E	O1SO[1:0]	
33	Oscillator 2 Control	OSS2		OZ2	O2TAE	O2TIE	O2E	O2SO[1:0]	
34	Ringing Oscillator Control	RSS		RDAC	RTAE	RTIE	ROE	RVO	TSWS
35	Pulse Metering Oscillator Control	PSTAT			PMAE	PMIE	PMOE		
36	Oscillator 1 Active Timer—Low Byte	OAT1[7:0]							
37	Oscillator 1 Active Timer—High Byte	OAT1[15:8]							
38	Oscillator 1 Inactive Timer—Low Byte	OIT1[7:0]							
39	Oscillator 1 Inactive Timer—High Byte	OIT1[15:8]							
40	Oscillator 2 Active Timer—Low Byte	OAT2[7:0]							
41	Oscillator 2 Active Timer—High Byte	OAT2[15:8]							
42	Oscillator 2 Inactive Timer—Low Byte	OIT2[7:0]							
43	Oscillator 2 Inactive Timer—High Byte	OIT2[15:8]							
44	Pulse Metering Oscillator Active Timer— Low Byte	PAT[7:0]							
45	Pulse Metering Oscillator Active Timer— High Byte	PAT[15:8]							
46	Pulse Metering Oscillator Inactive Timer—Low Byte	PIT[7:0]							
<b>Notes:</b>									
1. Si3211 only.									
2. Si3210 only.									

# Si3210/Si3211

**Table 36. Direct Register Summary (Continued)**

Register	Name	Bit 7	Bit 6	Bit 5	Bit 4	Bit 3	Bit 2	Bit 1	Bit 0
47	Pulse Metering Oscillator Inactive Timer—High Byte	PIT[15:8]							
48	Ringling Oscillator Active Timer—Low Byte	RAT[7:0]							
49	Ringling Oscillator Active Timer—High Byte	RAT[15:8]							
50	Ringling Oscillator Inactive Timer—Low Byte	RIT[7:0]							
51	Ringling Oscillator Inactive Timer—High Byte	RIT[15:8]							
52	FSK Data								FSKDAT
<b>SLIC</b>									
63	Loop Closure Debounce Interval for Automatic Ringing	LCD[7:0]							
64	Linefeed Control		LFS[2:0]				LF[2:0]		
65	External Bipolar Transistor Control		SQH	CBY	ETBE	ETBO[1:0]		ETBA[1:0]	
66	Battery Feed Control				VOV <sup>2</sup>	FVBAT <sup>2</sup>		BATSL <sup>1</sup>	TRACK <sup>2</sup>
67	Automatic/Manual Control		MNCM	MNDIF	SPDS	ABAT	AORD	AOLD	AOPN
68	Loop Closure/Ring Trip Detect Status						DBIRAW	RTP	LCR
69	Loop Closure Debounce Interval	LCDI[6:0]							
70	Ring Trip Detect Debounce Interval	RTDI[6:0]							
71	Loop Current Limit						ILIM[2:0]		
72	On-Hook Line Voltage		VSGN	VOC[5:0]					
73	Common Mode Voltage			VCM[5:0]					
74	High Battery Voltage			VBATH[5:0]					
75	Low Battery Voltage			VBATL[5:0]					
76	Power Monitor Pointer						PWRMP[2:0]		
77	Line Power Output Monitor	PWR0M[7:0]							
78	Loop Voltage Sense		LVSP	LVS[5:0]					
<b>Notes:</b>									
1. Si3211 only.									
2. Si3210 only.									

Table 36. Direct Register Summary (Continued)

Register	Name	Bit 7	Bit 6	Bit 5	Bit 4	Bit 3	Bit 2	Bit 1	Bit 0
79	Loop Current Sense		LCSP	LCS[5:0]					
80	TIP Voltage Sense	VTIP[7:0]							
81	RING Voltage Sense	VRING[7:0]							
82	Battery Voltage Sense 1	VBATS1[7:0]							
83	Battery Voltage Sense 2	VBATS2[7:0]							
84	Transistor 1 Current Sense	IQ1[7:0]							
85	Transistor 2 Current Sense	IQ2[7:0]							
86	Transistor 3 Current Sense	IQ3[7:0]							
87	Transistor 4 Current Sense	IQ4[7:0]							
88	Transistor 5 Current Sense	IQ5[7:0]							
89	Transistor 6 Current Sense	IQ6[7:0]							
92	DC-DC Converter PWM Period	DCN[7:0] <sup>2</sup>							
93	DC-DC Converter Switching Delay	DCCAL <sup>2</sup>		DCPOL <sup>2</sup>	DCTOF[4:0] <sup>2</sup>				
94	DC-DC Converter PWM Pulse Width	DCPW[7:0] <sup>2</sup>							
95	Reserved								
96	Calibration Control/ Status Register 1		CAL	CALSP	CALR	CALT	CALD	CALC	CALIL
97	Calibration Control/ Status Register 2				CALM1	CALM2	CALDAC	CALADC	CALCM
98	RING Gain Mismatch Calibration Result				CALGMR[4:0]				
99	TIP Gain Mismatch Calibration Result				CALGMT[4:0]				
100	Differential Loop Current Gain Calibration Result				CALGD[4:0]				
101	Common Mode Loop Current Gain Calibration Result				CALGC[4:0]				

**Notes:**

1. Si3211 only.
2. Si3210 only.

# Si3210/Si3211

**Table 36. Direct Register Summary (Continued)**

Register	Name	Bit 7	Bit 6	Bit 5	Bit 4	Bit 3	Bit 2	Bit 1	Bit 0
102	Current Limit Calibration Result					CALGIL[3:0]			
103	Monitor ADC Offset Calibration Result	CALMG1[3:0]			CALMG2[3:0]				
104	Analog DAC/ADC Offset					DACP	DACN	ADCP	ADCN
105	DAC Offset Calibration Result	DACOF[7:0]							
106	Common Mode Balance Calibration Result			CMBAL[5:0]					
107	DC Peak Current Calibration Result					CMDCPK[3:0]			
108	Enhancement Enable	ILIMEN	FSKEN	DCSU <sup>2</sup>	ZSEXT	SWDB	LCVE	DCFIL <sup>2</sup>	HYSTEN
<b>Notes:</b> 1. Si3211 only. 2. Si3210 only.									

Not recommended for new designs.  
Please note the Si3201 has been discontinued.

**Register 0. SPI Mode Select**

Bit	D7	D6	D5	D4	D3	D2	D1	D0
<b>Name</b>	SPIDC	SPIM	PNI[1:0]		RNI[3:0]			
<b>Type</b>	R/W	R/W	R		R			

Reset settings = 00xx\_xxxx

Bit	Name	Function
7	SPIDC	<b>SPI Daisy Chain Mode Enable.</b> 0 = Disable SPI daisy chain mode. 1 = Enable SPI daisy chain mode.
6	SPIM	<b>SPI Mode.</b> 0 = Causes SDO to tri-state on rising edge of SCLK of LSB. 1 = Normal operation; SDO tri-states on rising edge of CS.
5:4	PNI[1:0]	<b>Part Number Identification.</b> 00 = Si3210 01 = Si3211 10 = Unused 11 = Si3210M
3:0	RNI[3:0]	<b>Revision Number Identification.</b> 0001 = Revision A, 0010 = Revision B, 0011 = Revision C, etc.

# Si3210/Si3211

## Register 1. PCM Mode Select

Bit	D7	D6	D5	D4	D3	D2	D1	D0
Name	PNI2		PCME	PCMF[1:0]		PCMT	GCI	TRI
Type			R/W		R/W	R/W	R/W	R/W

Reset settings = 0000\_1000

Bit	Name	Function
7	PNI2	<b>Part Number Identification 2.</b> 0 = Si3210/11 family. 1 = Si3215/16 family.
6	Reserved	Read returns zero.
5	PCME	<b>PCM Enable.</b> 0 = Disable PCM transfers. 1 = Enable PCM transfers.
4:3	PCMF[1:0]	<b>PCM Format.</b> 00 = A-Law 01 = $\mu$ -Law 10 = Reserved 11 = Linear
2	PCMT	<b>PCM Transfer Size.</b> 0 = 8-bit transfer. 1 = 16-bit transfer.
1	GCI	<b>GCI Clock Format.</b> 0 = 1 PCLK per data bit. 1 = 2 PCLKs per data bit.
0	TRI	<b>Tri-state Bit 0.</b> 0 = Tri-state bit 0 on positive edge of PCLK. 1 = Tri-state bit 0 on negative edge of PCLK.

**Register 2. PCM Transmit Start Count—Low Byte**

Bit	D7	D6	D5	D4	D3	D2	D1	D0
Name	TXS[7:0]							
Type	R/W							

Reset settings = 0000\_0000

Bit	Name	Function
7:0	TXS[7:0]	<b>PCM Transmit Start Count.</b> PCM transmit start count equals the number of PCLKs following FSYNC before data transmission begins. See Figure 29 on page 56.

**Register 3. PCM Transmit Start Count—High Byte**

Bit	D7	D6	D5	D4	D3	D2	D1	D0
Name							TXS[9:8]	
Type	R/W							

Reset settings = 0000\_0000

Bit	Name	Function
7:2	Reserved	Read returns zero.
1:0	TXS[9:8]	<b>PCM Transmit Start Count.</b> PCM transmit start count equals the number of PCLKs following FSYNC before data transmission begins. See Figure 29 on page 56.

**Register 4. PCM Receive Start Count—Low Byte**

Bit	D7	D6	D5	D4	D3	D2	D1	D0
Name	RXS[7:0]							
Type	R/W							

Reset settings = 0000\_0000

Bit	Name	Function
7:0	RXS[7:0]	<b>PCM Receive Start Count.</b> PCM receive start count equals the number of PCLKs following FSYNC before data reception begins. See Figure 29 on page 56.

# Si3210/Si3211

## Register 5. PCM Receive Start Count—High Byte

Bit	D7	D6	D5	D4	D3	D2	D1	D0
Name							RXS[9:8]	
Type	R/W							

Reset settings = 0000\_0000

Bit	Name	Function
7:2	Reserved	Read returns zero.
1:0	RXS[9:8]	<b>PCM Receive Start Count.</b> PCM receive start count equals the number of PCLKs following FSYNC before data reception begins. See Figure 29 on page 56.

## Register 6. Digital Input/Output Control

Si3210								
Bit	D7	D6	D5	D4	D3	D2	D1	D0
Name								
Type								

Reset settings = 0000\_0000

Si3211								
Bit	D7	D6	D5	D4	D3	D2	D1	D0
Name				DOUT	DIO2	DIO1	PD2	PD1
Type				R/W	R/W	R/W	R/W	R/W

Reset settings = 0000\_0000

Bit	Name	Function
7:5	Reserved	Read returns zero.
4	DOUT	<b>DOUT Pin Output Data (Si3211 only).</b> 0 = DOUT pin driven low. 1 = DOUT pin driven high. Si3210 = Reserved.
3	DIO2	<b>DIO2 Pin Input/Output Direction (Si3211 only).</b> 0 = DIO2 pin is an input. 1 = DIO2 pin is an output and driven to value of the PD2 bit. Si3210 = Reserved.
2	DIO1	<b>DIO1 Pin Input/Output Direction (Si3211 only).</b> 0 = DIO1 pin is an input. 1 = DIO1 pin is an output and driven to value of the PD1 bit. Si3210 = Reserved.
1	PD2	<b>DIO2 Pin Data (Si3211 only).</b> When DIO2 = 1: 0 = DIO2 pin driven low. 1 = DIO2 pin driven high. Si3210 = Reserved. When DIO2 = 0, PD2 value equals the logic input of DIO2 pin.
0	PD1	<b>DIO1 Pin Data (Si3211 only).</b> When DIO1 = 1: 0 = DIO1 pin driven low. 1 = DIO1 pin driven high. Si3210 = Reserved. When DIO1 = 0, PD1 value equals the logic input of DIO1 pin.

# Si3210/Si3211

## Register 8. Audio Path Loopback Control

Bit	D7	D6	D5	D4	D3	D2	D1	D0
Name						ALM2	DLM	ALM1
Type						R/W	R/W	R/W

Reset settings = 0000\_0010

Bit	Name	Function
7:3	Reserved	Read returns zero.
2	ALM2	<b>Analog Loopback Mode 2. (See Figure 25 on page 50.)</b> 0 = Full analog loopback mode disabled. 1 = Full analog loopback mode enabled.
1	DLM	<b>Digital Loopback Mode. (See Figure 25 on page 50.)</b> 0 = Digital loopback disabled. 1 = Digital loopback enabled.
0	ALM1	<b>Analog Loopback Mode 1. (See Figure 25 on page 50.)</b> 0 = Analog loopback disabled. 1 = Analog loopback enabled.

**Register 9. Audio Gain Control**

Bit	D7	D6	D5	D4	D3	D2	D1	D0
<b>Name</b>	RXHP	TXHP	TXM	RXM	ATX[1:0]		ARX[1:0]	
<b>Type</b>	R/W	R/W	R/W	R/W	R/W		R/W	

Reset settings = 0000\_0000

Bit	Name	Function
7	RXHP	<b>Receive Path High Pass Filter Disable.</b> 0 = HPF enabled in receive path, RHPF. 1 = HPF bypassed in receive path, RHPF.
6	TXHP	<b>Transmit Path High Pass Filter Disable.</b> 0 = HPF enabled in transmit path, THPF. 1 = HPF bypassed in transmit path, THPF.
5	TXM	<b>Transmit Path Mute.</b> Refer to position of digital mute in Figure 25 on page 50. 0 = Transmit signal passed. 1 = Transmit signal muted.
4	RXM	<b>Receive Path Mute.</b> Refer to position of digital mute in Figure 25 on page 50. 0 = Receive signal passed. 1 = Receive signal muted.
3:2	ATX[1:0]	<b>Analog Transmit Path Gain.</b> 00 = 0 dB 01 = -3.5 dB 10 = 3.5 dB 11 = ATX gain = 0 dB; analog transmit path muted.
1:0	ARX[1:0]	<b>Analog Receive Path Gain.</b> 00 = 0 dB 01 = -3.5 dB 10 = 3.5 dB 11 = Analog receive path muted.

# Si3210/Si3211

## Register 10. Two-Wire Impedance Synthesis Control

Bit	D7	D6	D5	D4	D3	D2	D1	D0
Name			CLC[1:0]		TISE	TISS[2:0]		
Type	R/W				R/W	R/W		

Reset settings = 0000\_1000

Bit	Name	Function
7:6	Reserved	Read returns zero.
5:4	CLC[1:0]	<b>Line Capacitance Compensation.</b> 00 = Off 01 = 4.7 nF 10 = 10 nF 11 = Reserved
3	TISE	<b>Two-Wire Impedance Synthesis Enable.</b> 0 = Two-wire impedance synthesis disabled. 1 = Two-wire impedance synthesis enabled.
2:0	TISS[2:0]	<b>Two-Wire Impedance Synthesis Selection.</b> 000 = 600 $\Omega$ 001 = 900 $\Omega$ 010 = 600 $\Omega$ + 2.16 $\mu$ F 011 = 900 $\Omega$ + 2.16 $\mu$ F 100 = CTR21 (270 $\Omega$ + 750 $\Omega$    150 nF) 101 = Australia/New Zealand #1 (220 $\Omega$ + 820 $\Omega$    120 nF) 110 = Slovakia/Slovenia/South Africa (220 $\Omega$ + 820 $\Omega$    115 nF) 111 = New Zealand #2 (370 $\Omega$ + 620 $\Omega$    310 nF)

**Register 11. Hybrid Control**

Bit	D7	D6	D5	D4	D3	D2	D1	D0
Name		HYBP[2:0]				HYBA[2:0]		
Type		R/W				R/W		

Reset settings = 0011\_0011

Bit	Name	Function
7	Reserved	Read returns zero.
6:4	HYBP[2:0]	<b>Pulse Metering Hybrid Adjustment.</b> 000 = 4.08 dB 001 = 2.5 dB 010 = 1.16 dB 011 = 0 dB 100 = -1.02 dB 101 = -1.94 dB 110 = -2.77 dB 111 = Off
3	Reserved	Read returns zero.
2:0	HYBA[2:0]	<b>Audio Hybrid Adjustment.</b> 000 = 4.08 dB 001 = 2.5 dB 010 = 1.16 dB 011 = 0 dB 100 = -1.02 dB 101 = -1.94 dB 110 = -2.77 dB 111 = Off

# Si3210/Si3211

## Register 14. Powerdown Control 1

Si3210								
Bit	D7	D6	D5	D4	D3	D2	D1	D0
Name			PMON	DCOF	MOF		BIASOF	SLICOF
Type			R/W	R/W	R/W		R/W	R/W

Reset settings = 0001\_0000

Si3211								
Bit	D7	D6	D5	D4	D3	D2	D1	D0
Name			PMON		MOF		BIASOF	SLICOF
Type			R/W		R/W		R/W	R/W

Reset settings = 0001\_0000

Bit	Name	Function
7:6	Reserved	Read returns zero.
5	PMON	<b>Pulse Metering DAC Power-On Control.</b> 0 = Automatic power control. 1 = Override automatic control and force pulse metering DAC circuitry on.
4	DCOF	<b>DC-DC Converter Power-Off Control (Si3210 only).</b> 0 = Automatic power control. 1 = Override automatic control and force dc-dc circuitry off. Si3211 = Read returns 1; it cannot be written.
3	MOF	<b>Monitor ADC Power-Off Control.</b> 0 = Automatic power control. 1 = Override automatic control and force monitor ADC circuitry off.
2	Reserved	Read returns zero.
1	BIASOF	<b>DC Bias Power-Off Control.</b> 0 = Automatic power control. 1 = Override automatic control and force dc bias circuitry off.
0	SLICOF	<b>SLIC Power-Off Control.</b> 0 = Automatic power control. 1 = Override automatic control and force SLIC circuitry off.

**Register 15. Powerdown Control 2**

Bit	D7	D6	D5	D4	D3	D2	D1	D0
Name			ADCM	ADCON	DACM	DACON	GMM	GMON
Type			R/W	R/W	R/W	R/W	R/W	R/W

Reset settings = 0000\_0000

Bit	Name	Function
7:6	Reserved	Read returns zero.
5	ADCM	<b>Analog to Digital Converter Manual/Automatic Power Control.</b> 0 = Automatic power control. 1 = Manual power control; ADCON controls on/off state.
4	ADCON	<b>Analog to Digital Converter On/Off Power Control.</b> When ADCM = 1: 0 = Analog to digital converter powered off. 1 = Analog to digital converter powered on. ADCON has no effect when ADCM = 0.
3	DACM	<b>Digital to Analog Converter Manual/Automatic Power Control.</b> 0 = Automatic power control. 1 = Manual power control; DACON controls on/off state.
2	DACON	<b>Digital to Analog Converter On/Off Power Control.</b> When DACM = 1: 0 = Digital to analog converter powered off. 1 = Digital to analog converter powered on. DACON has no effect when DACM = 0.
1	GMM	<b>Transconductance Amplifier Manual/Automatic Power Control.</b> 0 = Automatic power control. 1 = Manual power control; GMON controls on/off state.
0	GMON	<b>Transconductance Amplifier On/Off Power Control.</b> When GMM = 1: 0 = Analog to digital converter powered off. 1 = Analog to digital converter powered on. GMON has no effect when GMM = 0.

# Si3210/Si3211

## Register 18. Interrupt Status 1

Bit	D7	D6	D5	D4	D3	D2	D1	D0
Name	PMIP	PMAP	RGIP	RGAP	O2IP	O2AP	O1IP	O1AP
Type	R/W	R/W	R/W	R/W	R/W	R/W	R/W	R/W

Reset settings = 0000\_0000

Bit	Name	Function
7	PMIP	<b>Pulse Metering Inactive Timer Interrupt Pending.</b> Writing 1 to this bit clears a pending interrupt. 0 = No interrupt pending. 1 = Interrupt pending.
6	PMAP	<b>Pulse Metering Active Timer Interrupt Pending.</b> Writing 1 to this bit clears a pending interrupt. 0 = No interrupt pending. 1 = Interrupt pending.
5	RGIP	<b>Ringing Inactive Timer Interrupt Pending.</b> Writing 1 to this bit clears a pending interrupt. 0 = No interrupt pending. 1 = Interrupt pending.
4	RGAP	<b>Ringing Active Timer Interrupt Pending.</b> Writing 1 to this bit clears a pending interrupt. 0 = No interrupt pending. 1 = Interrupt pending.
3	O2IP	<b>Oscillator 2 Inactive Timer Interrupt Pending.</b> Writing 1 to this bit clears a pending interrupt. 0 = No interrupt pending. 1 = Interrupt pending.
2	O2AP	<b>Oscillator 2 Active Timer Interrupt Pending.</b> Writing 1 to this bit clears a pending interrupt. 0 = No interrupt pending. 1 = Interrupt pending.
1	O1IP	<b>Oscillator 1 Inactive Timer Interrupt Pending.</b> Writing 1 to this bit clears a pending interrupt. 0 = No interrupt pending. 1 = Interrupt pending.
0	O1AP	<b>Oscillator 1 Active Timer Interrupt Pending.</b> Writing 1 to this bit clears a pending interrupt. 0 = No interrupt pending. 1 = Interrupt pending.

**Register 19. Interrupt Status 2**

Bit	D7	D6	D5	D4	D3	D2	D1	D0
Name	Q6AP	Q5AP	Q4AP	Q3AP	Q2AP	Q1AP	LCIP	RTIP
Type	R/W	R/W	R/W	R/W	R/W	R/W	R/W	R/W

Reset settings = 0000\_0000

Bit	Name	Function
7	Q6AP	<b>Power Alarm Q6 Interrupt Pending.</b> Writing 1 to this bit clears a pending interrupt. 0 = No interrupt pending. 1 = Interrupt pending.
6	Q5AP	<b>Power Alarm Q5 Interrupt Pending.</b> Writing 1 to this bit clears a pending interrupt. 0 = No interrupt pending. 1 = Interrupt pending.
5	Q4AP	<b>Power Alarm Q4 Interrupt Pending.</b> Writing 1 to this bit clears a pending interrupt. 0 = No interrupt pending. 1 = Interrupt pending.
4	Q3AP	<b>Power Alarm Q3 Interrupt Pending.</b> Writing 1 to this bit clears a pending interrupt. 0 = No interrupt pending. 1 = Interrupt pending.
3	Q2AP	<b>Power Alarm Q2 Interrupt Pending.</b> Writing 1 to this bit clears a pending interrupt. 0 = No interrupt pending. 1 = Interrupt pending.
2	Q1AP	<b>Power Alarm Q1 Interrupt Pending.</b> Writing 1 to this bit clears a pending interrupt. 0 = No interrupt pending. 1 = Interrupt pending.
1	LCIP	<b>Loop Closure Transition Interrupt Pending.</b> Writing 1 to this bit clears a pending interrupt. 0 = No interrupt pending. 1 = Interrupt pending.
0	RTIP	<b>Ring Trip Interrupt Pending.</b> Writing 1 to this bit clears a pending interrupt. 0 = No interrupt pending. 1 = Interrupt pending.

# Si3210/Si3211

## Register 20. Interrupt Status 3

Bit	D7	D6	D5	D4	D3	D2	D1	D0
Name						CMCP	INDP	DTMFP
Type						R/W	R/W	R/W

Reset settings = 0000\_0000

Bit	Name	Function
7:3	Reserved	Read returns zero.
2	CMCP	<b>Common Mode Calibration Error Interrupt.</b> This bit is set when off-hook/on-hook status changes during the common mode balance calibration. Writing 1 to this bit clears a pending interrupt. 0 = No interrupt pending. 1 = Interrupt pending.
1	INDP	<b>Indirect Register Access Serviced Interrupt.</b> This bit is set once a pending indirect register service request has been completed. Writing 1 to this bit clears a pending interrupt. 0 = No interrupt pending. 1 = Interrupt pending.
0	DTMFP	<b>DTMF Tone Detected Interrupt.</b> Writing 1 to this bit clears a pending interrupt. 0 = No interrupt pending. 1 = Interrupt pending.

**Register 21. Interrupt Enable 1**

Bit	D7	D6	D5	D4	D3	D2	D1	D0
Name	PMIE	PMAE	RGIE	RGAE	O2IE	O2AE	O1IE	O1AE
Type	R/W	R/W	R/W	R/W	R/W	R/W	R/W	R/W

Reset settings = 0000\_0000

Bit	Name	Function
7	PMIE	<b>Pulse Metering Inactive Timer Interrupt Enable.</b> 0 = Interrupt masked. 1 = Interrupt enabled.
6	PMAE	<b>Pulse Metering Active Timer Interrupt Enable.</b> 0 = Interrupt masked. 1 = Interrupt enabled.
5	RGIE	<b>Ringing Inactive Timer Interrupt Enable.</b> 0 = Interrupt masked. 1 = Interrupt enabled.
4	RGAE	<b>Ringing Active Timer Interrupt Enable.</b> 0 = Interrupt masked. 1 = Interrupt enabled.
3	O2IE	<b>Oscillator 2 Inactive Timer Interrupt Enable.</b> 0 = Interrupt masked. 1 = Interrupt enabled.
2	O2AE	<b>Oscillator 2 Active Timer Interrupt Enable.</b> 0 = Interrupt masked. 1 = Interrupt enabled.
1	O1IE	<b>Oscillator 1 Inactive Timer Interrupt Enable.</b> 0 = Interrupt masked. 1 = Interrupt enabled.
0	O1AE	<b>Oscillator 1 Active Timer Interrupt Enable.</b> 0 = Interrupt masked. 1 = Interrupt enabled.

# Si3210/Si3211

## Register 22. Interrupt Enable 2

Bit	D7	D6	D5	D4	D3	D2	D1	D0
Name	Q6AE	Q5AE	Q4AE	Q3AE	Q2AE	Q1AE	LCIE	RTIE
Type	R/W	R/W	R/W	R/W	R/W	R/W	R/W	R/W

Reset settings = 0000\_0000

Bit	Name	Function
7	Q6AE	<b>Power Alarm Q6 Interrupt Enable.</b> 0 = Interrupt masked. 1 = Interrupt enabled.
6	Q5AE	<b>Power Alarm Q5 Interrupt Enable.</b> 0 = Interrupt masked. 1 = Interrupt enabled.
5	Q4AE	<b>Power Alarm Q4 Interrupt Enable.</b> 0 = Interrupt masked. 1 = Interrupt enabled.
4	Q3AE	<b>Power Alarm Q3 Interrupt Enable.</b> 0 = Interrupt masked. 1 = Interrupt enabled.
3	Q2AE	<b>Power Alarm Q2 Interrupt Enable.</b> 0 = Interrupt masked. 1 = Interrupt enabled.
2	Q1AE	<b>Power Alarm Q1 Interrupt Enable.</b> 0 = Interrupt masked. 1 = Interrupt enabled.
1	LCIE	<b>Loop Closure Transition Interrupt Enable.</b> 0 = Interrupt masked. 1 = Interrupt enabled.
0	RTIE	<b>Ring Trip Interrupt Enable.</b> 0 = Interrupt masked. 1 = Interrupt enabled.

**Register 23. Interrupt Enable 3**

Bit	D7	D6	D5	D4	D3	D2	D1	D0
Name						CMCE	INDE	DTMFE
Type						R/W	R/W	R/W

Reset settings = 0000\_0000

Bit	Name	Function
7:3	Reserved	Read returns zero.
2	CMCE	<b>Common Mode Calibration Error Interrupt Enable.</b> 0 = Interrupt masked. 1 = Interrupt enabled.
1	INDE	<b>Indirect Register Access Serviced Interrupt Enable.</b> 0 = Interrupt masked. 1 = Interrupt enabled.
0	DTMFE	<b>DTMF Tone Detected Interrupt Enable.</b> 0 = Interrupt masked. 1 = Interrupt enabled.

Not recommended for new designs.  
Please note the Si3201 has been discontinued.

# Si3210/Si3211

## Register 24. DTMF Decode Status

Bit	D7	D6	D5	D4	D3	D2	D1	D0
Name				VAL	DIG[3:0]			
Type	R				R			

Reset settings = 0000\_0000

Bit	Name	Function
7:5	Reserved	Read returns zero.
4	VAL	<b>DTMF Valid Digit Decoded.</b> 0 = Not currently detecting digit. 1 = Currently detecting digit.
3:0	DIG[3:0]	<b>DTMF Digit.</b> 0001 = "1" 0010 = "2" 0011 = "3" 0100 = "4" 0101 = "5" 0110 = "6" 0111 = "7" 1000 = "8" 1001 = "9" 1010 = "0" 1011 = "*" <del>"#"</del> 1100 = "#" 1101 = "A" 1110 = "B" 1111 = "C" 0000 = "D"

**Register 28. Indirect Data Access—Low Byte**

Bit	D7	D6	D5	D4	D3	D2	D1	D0
Name	IDA[7:0]							
Type	R/W							

Reset settings = 0000\_0000

Bit	Name	Function
7:0	IDA[7:0]	<p><b>Indirect Data Access—Low Byte.</b></p> <p>A write to IDA followed by a write to IAA will place the contents of IDA into an indirect register at the location referenced by IAA at the next indirect register update (16 kHz update rate—a write operation). Writing IAA only will load IDA with the value stored at IAA at the next indirect memory update (a read operation).</p>

**Register 29. Indirect Data Access—High Byte**

Bit	D7	D6	D5	D4	D3	D2	D1	D0
Name	IDA[15:8]							
Type	R/W							

Reset settings = 0000\_0000

Bit	Name	Function
7:0	IDA[15:8]	<p><b>Indirect Data Access—High Byte.</b></p> <p>A write to IDA followed by a write to IAA will place the contents of IDA into an indirect register at the location referenced by IAA at the next indirect register update (16 kHz update rate—a write operation). Writing IAA only will load IDA with the value stored at IAA at the next indirect memory update (a read operation).</p>

# Si3210/Si3211

## Register 30. Indirect Address

Bit	D7	D6	D5	D4	D3	D2	D1	D0
Name	IAA[7:0]							
Type	R/W							

Reset settings = xxxx\_xxxx

Bit	Name	Function
7:0	IAA[7:0]	<b>Indirect Address Access.</b> A write to IDA followed by a write to IAA will place the contents of IDA into an indirect register at the location referenced by IAA at the next indirect register update (16 kHz update rate—a write operation). Writing IAA only will load IDA with the value stored at IAA at the next indirect memory update (a read operation).

## Register 31. Indirect Address Status

Bit	D7	D6	D5	D4	D3	D2	D1	D0
Name								IAS
Type	R							

Reset settings = 0000\_0000

Bit	Name	Function
7:1	Reserved	Read returns zero.
0	IAS	<b>Indirect Access Status.</b> 0 = No indirect memory access pending. 1 = Indirect memory access pending.

**Register 32. Oscillator 1 Control**

Bit	D7	D6	D5	D4	D3	D2	D1	D0
Name	OSS1	REL	OZ1	O1TAE	O1TIE	O1E	O1SO[1:0]	
Type	R	R/W	R/W	R/W	R/W	R/W	R/W	

Reset settings = 0000\_0000

Bit	Name	Function
7	OSS1	<b>Oscillator 1 Signal Status.</b> 0 = Output signal inactive. 1 = Output signal active.
6	REL	<b>Oscillator 1 Automatic Register Reload.</b> This bit should be set for FSK signaling. 0 = Oscillator 1 will stop signaling after inactive timer expires. 1 = Oscillator 1 will continue to read register parameters and output signals.
5	OZ1	<b>Oscillator 1 Zero Cross Enable.</b> 0 = Signal terminates after active timer expires. 1 = Signal terminates at zero crossing after active timer expires.
4	O1TAE	<b>Oscillator 1 Active Timer Enable.</b> 0 = Disable timer. 1 = Enable timer.
3	O1TIE	<b>Oscillator 1 Inactive Timer Enable.</b> 0 = Disable timer. 1 = Enable timer.
2	O1E	<b>Oscillator 1 Enable.</b> 0 = Disable oscillator. 1 = Enable oscillator.
1:0	O1SO[1:0]	<b>Oscillator 1 Signal Output Routing.</b> 00 = Unassigned path (output not connected). 01 = Assign to transmit path. 10 = Assign to receive path. 11 = Assign to both paths.

# Si3210/Si3211

## Register 33. Oscillator 2 Control

Bit	D7	D6	D5	D4	D3	D2	D1	D0
Name	OSS2		OZ2	O2TAE	O2TIE	O2E	O2SO[1:0]	
Type	R		R/W	R/W	R/W	R/W	R/W	

Reset settings = 0000\_0000

Bit	Name	Function
7	OSS2	<b>Oscillator 2 Signal Status.</b> 0 = Output signal inactive. 1 = Output signal active.
6	Reserved	Read returns zero.
5	OZ2	<b>Oscillator 2 Zero Cross Enable.</b> 0 = Signal terminates after active timer expires. 1 = Signal terminates at zero crossing.
4	O2TAE	<b>Oscillator 2 Active Timer Enable.</b> 0 = Disable timer. 1 = Enable timer.
3	O2TIE	<b>Oscillator 2 Inactive Timer Enable.</b> 0 = Disable timer. 1 = Enable timer.
2	O2E	<b>Oscillator 2 Enable.</b> 0 = Disable oscillator. 1 = Enable oscillator.
1:0	O2SO[1:0]	<b>Oscillator 2 Signal Output Routing.</b> 00 = Unassigned path (output not connected) 01 = Assign to transmit path. 10 = Assign to receive path. 11 = Assign to both paths.

**Register 34. Ringing Oscillator Control**

Bit	D7	D6	D5	D4	D3	D2	D1	D0
Name	RSS		RDAC	RTAE	RTIE	ROE	RVO	TSWS
Type	R		R	R/W	R/W	R	R/W	R/W

Reset settings = 0000\_0000

Bit	Name	Function
7	RSS	<b>Ringling Signal Status.</b> 0 = Ringing oscillator output signal inactive. 1 = Ringing oscillator output signal active.
6	Reserved	Read returns zero.
5	RDAC	<b>Ringling Signal DAC/Linefeed Cross Indicator.</b> For ringing signal start and stop, output to TIP and RING is suspended to ensure continuity with dc linefeed voltages. RDAC indicates that ringing signal is actually present at TIP and RING. 0 = Ringing signal not present at TIP and RING. 1 = Ringing signal present at TIP and RING.
4	RTAE	<b>Ringling Active Timer Enable.</b> 0 = Disable timer. 1 = Enable timer.
3	RTIE	<b>Ringling Inactive Timer Enable.</b> 0 = Disable timer. 1 = Enable timer.
2	ROE	<b>Ringling Oscillator Enable.</b> 0 = Ringing oscillator disabled. 1 = Ringing oscillator enabled.
1	RVO	<b>Ringling Voltage Offset.</b> 0 = No dc offset added to ringing signal. 1 = DC offset added to ringing signal.
0	TSWS	<b>Trapezoid/Sinusoid Waveshape Select.</b> 0 = Sinusoid 1 = Trapezoid

# Si3210/Si3211

## Register 35. Pulse Metering Oscillator Control

Bit	D7	D6	D5	D4	D3	D2	D1	D0
Name	PSTAT			PMAE	PMIE	PMOE		
Type	R			R/W	R/W	R/W		

Reset settings = 0000\_0000

Bit	Name	Function
7	PSTAT	<b>Pulse Metering Signal Status.</b> 0 = Output signal inactive. 1 = Output signal active.
6:5	Reserved	Read returns zero.
4	PMAE	<b>Pulse Metering Active Timer Enable.</b> 0 = Disable timer. 1 = Enable timer.
3	PMIE	<b>Pulse Metering Inactive Timer Enable.</b> 0 = Disable timer. 1 = Enable timer.
2	PMOE	<b>Pulse Metering Oscillator Enable.</b> 0 = Disable oscillator. 1 = Enable oscillator.
1:0	Reserved	Read returns zero.

## Register 36. Oscillator 1 Active Timer—Low Byte

Bit	D7	D6	D5	D4	D3	D2	D1	D0
Name	OAT1[7:0]							
Type	R/W							

Reset settings = 0000\_0000

Bit	Name	Function
7:0	OAT1[7:0]	<b>Oscillator 1 Active Timer.</b> LSB = 125 $\mu$ s

**Register 37. Oscillator 1 Active Timer—High Byte**

Bit	D7	D6	D5	D4	D3	D2	D1	D0
Name	OAT1[15:8]							
Type	R/W							

Reset settings = 0000\_0000

Bit	Name	Function
7:0	OAT1[15:8]	Oscillator 1 Active Timer.

**Register 38. Oscillator 1 Inactive Timer—Low Byte**

Bit	D7	D6	D5	D4	D3	D2	D1	D0
Name	OIT1[7:0]							
Type	R/W							

Reset settings = 0000\_0000

Bit	Name	Function
7:0	OIT1[7:0]	Oscillator 1 Inactive Timer. LSB = 125 $\mu$ s

**Register 39. Oscillator 1 Inactive Timer—High Byte**

Bit	D7	D6	D5	D4	D3	D2	D1	D0
Name	OIT1[15:8]							
Type	R/W							

Reset settings = 0000\_0000

Bit	Name	Function
7:0	OIT1[15:8]	Oscillator 1 Inactive Timer.

# Si3210/Si3211

## Register 40. Oscillator 2 Active Timer—Low Byte

Bit	D7	D6	D5	D4	D3	D2	D1	D0
Name	OAT2[7:0]							
Type	R/W							

Reset settings = 0000\_0000

Bit	Name	Function
7:0	OAT2[7:0]	<b>Oscillator 2 Active Timer.</b> LSB = 125 $\mu$ s

## Register 41. Oscillator 2 Active Timer—High Byte

Bit	D7	D6	D5	D4	D3	D2	D1	D0
Name	OAT2[15:8]							
Type	R/W							

Reset settings = 0000\_0000

Bit	Name	Function
7:0	OAT2[15:8]	<b>Oscillator 2 Active Timer.</b>

## Register 42. Oscillator 2 Inactive Timer—Low Byte

Bit	D7	D6	D5	D4	D3	D2	D1	D0
Name	OIT2[7:0]							
Type	R/W							

Reset settings = 0000\_0000

Bit	Name	Function
7:0	OIT2[7:0]	<b>Oscillator 2 Inactive Timer.</b> LSB = 125 $\mu$ s

**Register 43. Oscillator 2 Inactive Timer—High Byte**

Bit	D7	D6	D5	D4	D3	D2	D1	D0
Name	OIT2[15:8]							
Type	R/W							

Reset settings = 0000\_0000

Bit	Name	Function
7:0	OIT2[15:8]	<b>Oscillator 2 Inactive Timer.</b>

**Register 44. Pulse Metering Oscillator Active Timer—Low Byte**

Bit	D7	D6	D5	D4	D3	D2	D1	D0
Name	PAT[7:0]							
Type	R/W							

Reset settings = 0000\_0000

Bit	Name	Function
7:0	PAT[7:0]	<b>Pulse Metering Active Timer.</b> LSB = 125 $\mu$ s

**Register 45. Pulse Metering Oscillator Active Timer—High Byte**

Bit	D7	D6	D5	D4	D3	D2	D1	D0
Name	PAT[15:8]							
Type	R/W							

Reset settings = 0000\_0000

Bit	Name	Function
7:0	PAT[15:8]	<b>Pulse Metering Active Timer.</b>

# Si3210/Si3211

## Register 46. Pulse Metering Oscillator Inactive Timer—Low Byte

Bit	D7	D6	D5	D4	D3	D2	D1	D0
Name	PIT[7:0]							
Type	R/W							

Reset settings = 0000\_0000

Bit	Name	Function
7:0	PIT[7:0]	<b>Pulse Metering Inactive Timer.</b> LSB = 125 $\mu$ s

## Register 47. Pulse Metering Oscillator Inactive Timer—High Byte

Bit	D7	D6	D5	D4	D3	D2	D1	D0
Name	PIT[15:8]							
Type	R/W							

Reset settings = 0000\_0000

Bit	Name	Function
7:0	PIT[15:8]	<b>Pulse Metering Inactive Timer.</b>

## Register 48. Ringing Oscillator Active Timer—Low Byte

Bit	D7	D6	D5	D4	D3	D2	D1	D0
Name	RAT[7:0]							
Type	R/W							

Reset settings = 0000\_0000

Bit	Name	Function
7:0	RAT[7:0]	<b>Ringing Active Timer.</b> LSB = 125 $\mu$ s

**Register 49. Ringing Oscillator Active Timer—High Byte**

Bit	D7	D6	D5	D4	D3	D2	D1	D0
Name	RAT[15:8]							
Type	R/W							

Reset settings = 0000\_0000

Bit	Name	Function
7:0	RAT[15:8]	<b>Ringing Active Timer.</b>

**Register 50. Ringing Oscillator Inactive Timer—Low Byte**

Bit	D7	D6	D5	D4	D3	D2	D1	D0
Name	RIT[7:0]							
Type	R/W							

Reset settings = 0000\_0000

Bit	Name	Function
7:0	RIT[7:0]	<b>Ringing Inactive Timer.</b> LSB = 125 $\mu$ s

**Register 51. Ringing Oscillator Inactive Timer—High Byte**

Bit	D7	D6	D5	D4	D3	D2	D1	D0
Name	RIT[15:8]							
Type	R/W							

Reset settings = 0000\_0000

Bit	Name	Function
7:0	RIT[15:8]	<b>Ringing Inactive Timer.</b>

# Si3210/Si3211

## Register 52. FSK Data

Bit	D7	D6	D5	D4	D3	D2	D1	D0
Name								FSKDAT
Type								R/W

Reset settings = 0000\_0000

Bit	Name	Function
7:1	Reserved	Read returns zero.
0	FSKDAT	<b>FSK Data.</b> When FSKEN = 1 (direct Register 108, bit 6) and REL = 1 (direct Register 32, bit 6), this bit serves as the buffered input for FSK generation bit stream data.

## Register 63. Loop Closure Debounce Interval

Bit	D7	D6	D5	D4	D3	D2	D1	D0
Name	LCD[7:0]							
Type								

Reset settings = 0011\_0010 (revision C); 0101\_0100 (subsequent revisions)

Bit	Name	Function
7:0	LCD[7:0]	<b>Loop Closure Debounce Interval for Automatic Ringing.</b> This register sets the loop closure debounce interval for the ringing silent period when using automatic ringing cadences. The value may be set between 0 ms (0x00) and 159 ms (0x7F) in 1.25 ms steps.

**Register 64. Linefeed Control**

Bit	D7	D6	D5	D4	D3	D2	D1	D0
Name		LFS[2:0]				LF[2:0]		
Type		R				R/W		

Reset settings = 0000\_0000

Bit	Name	Function
7	Reserved	Read returns zero.
6:4	LFS[2:0]	<p><b>Linefeed Shadow.</b> This register reflects the actual real-time linefeed state. Automatic operations may cause actual linefeed state to deviate from the state defined by linefeed register (e.g., when linefeed equals ringing state, LFS will equal on-hook transmission state during ringing silent period and ringing state during ring burst).</p> <p>000 = Open 001 = Forward active 010 = Forward on-hook transmission 011 = TIP open 100 = Ringing 101 = Reverse active 110 = Reverse on-hook transmission 111 = RING open</p>
3	Reserved	Read returns zero.
2:0	LF[2:0]	<p><b>Linefeed.</b> Writing to this register sets the linefeed state.</p> <p>000 = Open 001 = Forward active 010 = Forward on-hook transmission 011 = TIP open 100 = Ringing 101 = Reverse active 110 = Reverse on-hook transmission 111 = RING open</p>

# Si3210/Si3211

## Register 65. External Bipolar Transistor Control

Bit	D7	D6	D5	D4	D3	D2	D1	D0
Name		SQH	CBY	ETBE	ETBO[1:0]		ETBA[1:0]	
Type		R/W	R/W	R/W	R/W		R/W	

Reset settings = 0110\_0001

Bit	Name	Function
7	Reserved	Read returns zero.
6	SQH	<b>Audio Squelch.</b> 0 = No squelch. 1 = STIPAC and SRINGAC pins squelched.
5	CBY	<b>Capacitor Bypass.</b> 0 = Capacitors CP (C1) and CM (C2) in circuit. 1 = Capacitors CP (C1) and CM (C2) bypassed.
4	ETBE	<b>External Transistor Bias Enable.</b> 0 = Bias disabled. 1 = Bias enabled.
3:2	ETBO[1:0]	<b>External Transistor Bias Levels—On-Hook Transmission State.</b> DC bias current which flows through external BJTs in the on-hook transmission state. Increasing this value increases the compliance of the ac longitudinal balance circuit. 00 = 4 mA 01 = 8 mA 10 = 12 mA 11 = Reserved
1:0	ETBA[1:0]	<b>External Transistor Bias Levels—Active Off-Hook State.</b> DC bias current which flows through external BJTs in the active off-hook state. Increasing this value increases the compliance of the ac longitudinal balance circuit. 00 = 4 mA 01 = 8 mA 10 = 12 mA 11 = Reserved

**Register 66. Battery Feed Control**

Si3210								
Bit	D7	D6	D5	D4	D3	D2	D1	D0
Name				VOV	FVBAT			TRACK
Type				R/W	R/W			R/W

Reset settings = 0000\_0011

Si3211								
Bit	D7	D6	D5	D4	D3	D2	D1	D0
Name							BATSL	
Type							R/W	

Reset settings = 0000\_0110

Bit	Name	Function
7:5	Reserved	Read returns zero.
4	VOV	<b>Overhead Voltage Range Increase. (Si3210 only; See Figure 19 on page 39.)</b> This bit selects the programmable range for $V_{OV}$ , which is defined in indirect Register 41. 0 = $V_{OV} = 0\text{ V to }9\text{ V}$ 1 = $V_{OV} = 0\text{ V to }13.5\text{ V}$ Si3211 = Reserved.
3	FVBAT	<b><math>V_{BAT}</math> Manual Setting (Si3210 only).</b> 0 = Normal operation 1 = $V_{BAT}$ tracks $V_{BATH}$ register. Si3211 = Read returns 0; it cannot be written.
2	Reserved	Si3210 = Read returns zero. Si3211 = Read returns one.
1	BATSL	<b>Battery Feed Select (Si3211 only).</b> This bit selects between high and low battery supplies. 0 = Low battery selected (DCSW pin low). 1 = High battery selected (DCSW pin high). Si3210 = Read returns zero.
0	TRACK	<b>DC-DC Converter Tracking Mode (Si3210 only).</b> 0 = $ V_{BAT} $ will not decrease below $V_{BATL}$ . 1 = $V_{BAT}$ tracks $V_{RING}$ . Si3211 = Reserved.

# Si3210/Si3211

## Register 67. Automatic/Manual Control

Bit	D7	D6	D5	D4	D3	D2	D1	D0
Name		MNCM	MNDIF	SPDS	ABAT	AORD	AOLD	AOPN
Type		R/W	R/W	R/W	R/W	R/W	R/W	R/W

Reset settings = 0001\_1111

Bit	Name	Function
7	Reserved	Read returns zero.
6	MNCM	<b>Common Mode Manual/Automatic Select.</b> 0 = Automatic control. 1 = Manual control, in which TIP (forward) or RING (reverse) forces voltage to follow VCM value.
5	MNDIF	<b>Differential Mode Manual/Automatic Select.</b> 0 = Automatic control. 1 = Manual control (forces differential voltage to follow VOC value).
4	SPDS	<b>Speed-Up Mode Enable.</b> 0 = Speed-up disabled. 1 = Automatic speed-up.
3	ABAT	<b>Battery Feed Automatic/Manual Select (Si3211 only).</b> 0 = Automatic mode disabled. 1 = Automatic mode enabled (automatic switching to low battery in off-hook state).
2	AORD	<b>Automatic/Manual Ring Trip Detect.</b> 0 = Manual mode. 1 = Enter off-hook active state automatically upon ring trip detect.
1	AOLD	<b>Automatic/Manual Loop Closure Detect.</b> 0 = Manual mode. 1 = Enter off-hook active state automatically upon loop closure detect.
0	AOPN	<b>Power Alarm Automatic/Manual Detect.</b> 0 = Manual mode. 1 = Enter open state automatically upon power alarm.

**Register 68. Loop Closure/Ring Trip Detect Status**

Bit	D7	D6	D5	D4	D3	D2	D1	D0
Name						DBIRAW	RTP	LCR
Type						R	R	R

Reset settings = 0000\_0100

Bit	Name	Function
7:3	Reserved	Read returns zero.
2	DBIRAW	<b>Ring Trip/Loop Closure Unfiltered Output.</b> State of this bit reflects the real-time output of ring trip and loop closure detect circuits before debouncing. 0 = Ring trip/loop closure threshold exceeded. 1 = Ring trip/loop closure threshold not exceeded.
1	RTP	<b>Ring Trip Detect Indicator (Filtered Output).</b> 0 = Ring trip detect has not occurred. 1 = Ring trip detect occurred.
0	LCR	<b>Loop Closure Detect Indicator (Filtered Output).</b> 0 = Loop closure detect has not occurred. 1 = Loop closure detect has occurred.

**Register 69. Loop Closure Debounce Interval**

Bit	D7	D6	D5	D4	D3	D2	D1	D0
Name								LCDI[6:0]
Type								R/W

Reset settings = 0000\_1010

Bit	Name	Function
7	Reserved	Read returns zero.
6:0	LCDI[6:0]	<b>Loop Closure Debounce Interval.</b> The value written to this register defines the minimum steady state debounce time. Value may be set between 0 ms (0x00) to 159 ms (0x7F) in 1.25 ms steps. Default value = 12.5 ms.

# Si3210/Si3211

## Register 70. Ring Trip Detect Debounce Interval

Bit	D7	D6	D5	D4	D3	D2	D1	D0
Name		RTDI[6:0]						
Type	R/W							

Reset settings = 0000\_1010

Bit	Name	Function
7	Reserved	Read returns zero.
6:0	RTDI[6:0]	<b>Ring Trip Detect Debounce Interval.</b> The value written to this register defines the minimum steady state debounce time. The value may be set between 0 ms (0x00) to 159 ms (0x7F) in 1.25 ms steps. Default value = 12.5 ms.

## Register 71. Loop Current Limit

Bit	D7	D6	D5	D4	D3	D2	D1	D0
Name						ILIM[2:0]		
Type	R/W							

Reset settings = 0000\_0000

Bit	Name	Function
7:3	Reserved	Read returns zero.
2:0	ILIM[2:0]	<b>Loop Current Limit.</b> The value written to this register sets the constant loop current. The value may be set between 20 mA (0x00) and 41 mA (0x07) in 3 mA steps.

**Register 72. On-Hook Line Voltage**

Bit	D7	D6	D5	D4	D3	D2	D1	D0
Name		VSGN	VOC[5:0]					
Type	R/W				R/W			

Reset settings = 0010\_0000

Bit	Name	Function
7	Reserved	Read returns zero.
6	VSGN	<b>On-Hook Line Voltage.</b> The value written to this bit sets the on-hook line voltage polarity ( $V_{TIP}-V_{RING}$ ). 0 = $V_{TIP}-V_{RING}$ is positive 1 = $V_{TIP}-V_{RING}$ is negative
5:0	VOC[5:0]	<b>On-Hook Line Voltage.</b> The value written to this register sets the on-hook line voltage ( $V_{TIP}-V_{RING}$ ). Value may be set between 0 V (0x00) and 94.5 V (0x3F) in 1.5 V steps. Default value = 48 V.

**Register 73. Common Mode Voltage**

Bit	D7	D6	D5	D4	D3	D2	D1	D0
Name			VCM[5:0]					
Type	R/W							

Reset settings = 0000\_0010

Bit	Name	Function
7:6	Reserved	Read returns zero.
5:0	VCM[5:0]	<b>Common Mode Voltage.</b> The value written to this register sets $V_{TIP}$ for forward active and forward on-hook transmission states and $V_{RING}$ for reverse active and reverse on-hook transmission states. The value may be set between 0 V (0x00) and -94.5 V (0x3F) in 1.5 V steps. Default value = -3 V.

# Si3210/Si3211

## Register 74. High Battery Voltage

Bit	D7	D6	D5	D4	D3	D2	D1	D0
Name			VBATH[5:0]					
Type	R/W							

Reset settings = 0011\_0010

Bit	Name	Function
7:6	Reserved	Read returns zero.
5:0	VBATH[5:0]	<b>High Battery Voltage.</b> The value written to this register sets high battery voltage. $V_{BATH}$ must be greater than or equal to $V_{BATL}$ . The value may be set between 0 V (0x00) and -94.5 V (0x3F) in 1.5 V steps. Default value = -75 V. For Si3211, $V_{BATL}$ must be set equal to the voltage supplied at the $V_{BATL}$ node shown in the Si3211 typical application circuit drawings, Figure 12 on page 22 and Figure 14 on page 26.

## Register 75. Low Battery Voltage

Bit	D7	D6	D5	D4	D3	D2	D1	D0
Name			VBATL[5:0]					
Type	R/W							

Reset settings = 0001\_0000

Bit	Name	Function
7:6	Reserved	Read returns zero.
5:0	VBATL[5:0]	<b>Low Battery Voltage.</b> The value written to this register sets low battery voltage. $V_{BATH}$ must be greater than or equal to $V_{BATL}$ . The value may be set between 0 V (0x00) and -94.5 V (0x3F) in 1.5 V steps. Default value = -24 V. For Si3211, $V_{BATL}$ must be set equal to the voltage supplied at the $V_{BATL}$ node shown in the Si3211 typical application circuit drawings, Figure 12 on page 22 and Figure 14 on page 26.

**Register 76. Power Monitor Pointer**

Bit	D7	D6	D5	D4	D3	D2	D1	D0
Name	PWRMP[2:0]							
Type	R/W							

Reset settings = 0000\_0000

Bit	Name	Function
7:3	Reserved	Read returns zero.
2:0	PWRMP[2:0]	<p><b>Power Monitor Pointer.</b>  Selects the external transistor from which to read power output. The power of the selected transistor is read in the PWRMP register.</p> <p>000 = Q1  001 = Q2  010 = Q3  011 = Q4  100 = Q5  101 = Q6  110 = Undefined  111 = Undefined</p>

**Register 77. Line Power Output Monitor**

Bit	D7	D6	D5	D4	D3	D2	D1	D0
Name	PWRMP[7:0]							
Type	R							

Reset settings = 0000\_0000

Bit	Name	Function
7:0	PWRMP[7:0]	<p><b>Line Power Output Monitor.</b>  This register reports the real-time power output of the transistor selected using PWRMP. The range is 0 W (0x00) to 7.8 W (0xFF) in 30.4 mW steps for Q1, Q2, Q5, and Q6. The range is 0 W (0x00) to 0.9 W (0xFF) in 3.62 mW steps for Q3 and Q4.</p>

# Si3210/Si3211

## Register 78. Loop Voltage Sense

Bit	D7	D6	D5	D4	D3	D2	D1	D0
Name		LVSP	LVS[5:0]					
Type		R	R					

Reset settings = 0000\_0000

Bit	Name	Function
7	Reserved	Read returns zero.
6	LVSP	<b>Loop Voltage Sense Polarity.</b> This register reports the polarity of the differential loop voltage ( $V_{TIP} - V_{RING}$ ). 0 = Positive loop voltage ( $V_{TIP} > V_{RING}$ ). 1 = Negative loop voltage ( $V_{TIP} < V_{RING}$ ).
5:0	LVS[5:0]	<b>Loop Voltage Sense Magnitude.</b> This register reports the magnitude of the differential loop voltage ( $V_{TIP} - V_{RING}$ ). The range is 0 V to 94.5 V in 1.5 V steps.

## Register 79. Loop Current Sense

Bit	D7	D6	D5	D4	D3	D2	D1	D0
Name		LCSP	LCS[5:0]					
Type		R	R					

Reset settings = 0000\_0000

Bit	Name	Function
7	Reserved	Read returns zero.
6	LCSP	<b>Loop Current Sense Polarity.</b> This register reports the polarity of the loop current. 0 = Positive loop current (forward direction). 1 = Negative loop current (reverse direction).
5:0	LCS[5:0]	<b>Loop Current Sense Magnitude.</b> This register reports the magnitude of the loop current. The range is 0 mA to 78.75 mA in 1.25 mA steps.

**Register 80. TIP Voltage Sense**

Bit	D7	D6	D5	D4	D3	D2	D1	D0
Name	VTIP[7:0]							
Type	R							

Reset settings = 0000\_0000

Bit	Name	Function
7:0	VTIP[7:0]	<b>TIP Voltage Sense.</b> This register reports the real-time voltage at TIP with respect to ground. The range is 0 V (0x00) to -95.88 V (0xFF) in .376 V steps.

**Register 81. RING Voltage Sense**

Bit	D7	D6	D5	D4	D3	D2	D1	D0
Name	VRING[7:0]							
Type	R							

Reset settings = 0000\_0000

Bit	Name	Function
7:0	VRING[7:0]	<b>RING Voltage Sense.</b> This register reports the real-time voltage at RING with respect to ground. The range is 0 V (0x00) to -95.88 V (0xFF) in .376 V steps.

**Register 82. Battery Voltage Sense 1**

Bit	D7	D6	D5	D4	D3	D2	D1	D0
Name	VBATS1[7:0]							
Type	R							

Reset settings = 0000\_0000

Bit	Name	Function
7:0	VBATS1[7:0]	<b>Battery Voltage Sense 1.</b> This register is one of two registers that reports the real-time voltage at $V_{BAT}$ with respect to ground. The range is 0 V (0x00) to -95.88 V (0xFF) in .376 V steps.

# Si3210/Si3211

## Register 83. Battery Voltage Sense 2

Bit	D7	D6	D5	D4	D3	D2	D1	D0
Name	VBATS2[7:0]							
Type	R							

Reset settings = 0000\_0000

Bit	Name	Function
7:0	VBATS2[7:0]	<b>Battery Voltage Sense 2.</b> This register is one of two registers that reports the real-time voltage at $V_{BAT}$ with respect to ground. The range is 0 V (0x00) to -95.88 V (0xFF) in .376 V steps.

## Register 84. Transistor 1 Current Sense

Bit	D7	D6	D5	D4	D3	D2	D1	D0
Name	IQ1[7:0]							
Type	R							

Reset settings = xxxx\_xxxx

Bit	Name	Function
7:0	IQ1[7:0]	<b>Transistor 1 Current Sense.</b> This register reports the real-time current through Q1. The range is 0 A (0x00) to 81.35 mA (0xFF) in .319 mA steps. If ETBE = 1, the reported value does not include the additional ETBO/A current.

## Register 85. Transistor 2 Current Sense

Bit	D7	D6	D5	D4	D3	D2	D1	D0
Name	IQ2[7:0]							
Type	R							

Reset settings = xxxx\_xxxx

Bit	Name	Function
7:0	IQ2[7:0]	<b>Transistor 2 Current Sense.</b> This register reports the real-time current through Q2. The range is 0 A (0x00) to 81.35 mA (0xFF) in .319 mA steps. If ETBE = 1, the reported value does not include the additional ETBO/A current.

**Register 86. Transistor 3 Current Sense**

Bit	D7	D6	D5	D4	D3	D2	D1	D0
Name	IQ3[7:0]							
Type	R							

Reset settings = xxxx\_xxxx

Bit	Name	Function
7:0	IQ3[7:0]	<b>Transistor 3 Current Sense.</b> This register reports the real-time current through Q3. The range is 0 A (0x00) to 9.59 mA (0xFF) in 37.6 $\mu$ A steps.

**Register 87. Transistor 4 Current Sense**

Bit	D7	D6	D5	D4	D3	D2	D1	D0
Name	IQ4[7:0]							
Type	R							

Reset settings = xxxx\_xxxx

Bit	Name	Function
7:0	IQ4[7:0]	<b>Transistor 4 Current Sense.</b> This register reports the real-time current through Q4. The range is 0 A (0x00) to 9.59 mA (0xFF) in 37.6 $\mu$ A steps.

**Register 88. Transistor 5 Current Sense**

Bit	D7	D6	D5	D4	D3	D2	D1	D0
Name	IQ5[7:0]							
Type	R							

Reset settings = xxxx\_xxxx

Bit	Name	Function
7:0	IQ5[7:0]	<b>Transistor 5 Current Sense.</b> This register reports the real-time current through Q5. The range is 0 A (0x00) to 80.58 mA (0xFF) in .316 mA steps.

# Si3210/Si3211

## Register 89. Transistor 6 Current Sense

Bit	D7	D6	D5	D4	D3	D2	D1	D0
Name	IQ6[7:0]							
Type	R							

Reset settings = xxxx\_xxxx

Bit	Name	Function
7:0	IQ6[7:0]	<b>Transistor 6 Current Sense.</b> This register reports the real-time current through Q6. The range is 0 A (0x00) to 80.58 mA (0xFF) in .316 mA steps.

## Register 92. DC-DC Converter PWM Period

Si3210								
Bit	D7	D6	D5	D4	D3	D2	D1	D0
Name	DCN[7]	1	DCN[5:0]					
Type	R/W	R	R/W					

Reset settings = 1111\_1111

Si3211								
Bit	D7	D6	D5	D4	D3	D2	D1	D0
Name								
Type								

Reset settings = xxxx\_xxxx

Bit	Name	Function
7:0	DCN[7:0]	<b>DC-DC Converter Period.</b> This bit sets the PWM period for the dc-dc converter. The range is 3.906 $\mu$ s (0x40) to 15.564 $\mu$ s (0xFF) in 61.035 ns steps. Si3211 = Reserved. Bit 6 is fixed to one and read-only, so there are two ranges of operation: 3.906 $\mu$ s–7.751 $\mu$ s, used for MOSFET transistor switching. 11.719 $\mu$ s–15.564 $\mu$ s, used for BJT transistor switching.

**Register 93. DC-DC Converter Switching Delay**

Si3210								
Bit	D7	D6	D5	D4	D3	D2	D1	D0
Name	DCCAL		DCPOL	DCTOF[4:0]				
Type	R/W		R	R/W				

Reset settings = 0001\_0100 (Si3210)

Reset settings = 0011\_0100 (Si3210M)

Si3211								
Bit	D7	D6	D5	D4	D3	D2	D1	D0
Name								
Type								

Reset settings = xxxx\_xxxx

Bit	Name	Function
7	DCCAL	<b>DC-DC Converter Peak Current Monitor Calibration Status (Si3210 only).</b> Writing a one to this bit starts the dc-dc converter peak current monitor calibration routine. 0 = Normal operation. 1 = Calibration being performed. Si3211 = Reserved.
6	Reserved	Read returns zero.
5	DCPOL	<b>DC-DC Converter Feed Forward Pin (DCFF) Polarity (Si3210 only).</b> This read-only register bit indicates the polarity relationship of the DCFF pin to the DCDRV pin. Two versions of the Si3210 are offered to support the two relationships. 0 = DCFF pin polarity is opposite of DCDRV pin (Si3210). 1 = DCFF pin polarity is same as DCDRV pin (Si3210M). Si3211 = Reserved.
4:0	DCTOF[4:0]	<b>DC-DC Converter Minimum Off Time (Si3210 only).</b> This register sets the minimum off time for the pulse width modulated dc-dc converter control. $T_{OFF} = (DCTOF + 4) \cdot 61.035 \text{ ns}$ . Si3211 = Reserved.

# Si3210/Si3211

## Register 94. DC-DC Converter PWM Pulse Width

Si3210								
Bit	D7	D6	D5	D4	D3	D2	D1	D0
Name	DCPW[7:0]							
Type	R							

Reset settings = 0000\_0000

Si3211								
Bit	D7	D6	D5	D4	D3	D2	D1	D0
Name								
Type								

Reset settings = 0000\_0000

Bit	Name	Function
7:0	DCPW[7:0]	<b>DC-DC Converter Pulse Width (Si3210 only).</b> Pulse width of DCDRV is given by $PW = (DCPW - DCTOF - 4) \cdot 61.035 \text{ ns}$ . Si3211 = Reserved.

Not recommended for new designs.  
Please note the Si3210 has been discontinued.

**Register 96. Calibration Control/Status Register 1**

Bit	D7	D6	D5	D4	D3	D2	D1	D0
Name		CAL	CALSP	CALR	CALT	CALD	CALC	CALIL
Type		R/W	R/W	R/W	R/W	R/W	R/W	R/W

Reset settings = 0001\_1111

Bit	Name	Function
7	Reserved	Read returns zero.
6	CAL	<b>Calibration Control/Status Bit.</b> Setting this bit begins calibration of the entire system. 0 = Normal operation or calibration complete. 1 = Calibration in progress.
5	CALSP	<b>Calibration Speedup.</b> Setting this bit shortens the time allotted for $V_{BAT}$ settling at the beginning of the calibration cycle. 0 = 300 ms 1 = 30 ms
4	CALR	<b>RING Gain Mismatch Calibration.</b> For use with discrete solution only. When using the Si3201, consult “AN35: Si321x User’s Quick Reference Guide” and follow instructions for manual calibration. 0 = Normal operation or calibration complete. 1 = Calibration enabled or in progress.
3	CALT	<b>TIP Gain Mismatch Calibration.</b> For use with discrete solution only. When using the Si3201, consult “AN35: Si321x User’s Quick Reference Guide” and follow instructions for manual calibration. 0 = Normal operation or calibration complete. 1 = Calibration enabled or in progress.
2	CALD	<b>Differential DAC Gain Calibration.</b> 0 = Normal operation or calibration complete. 1 = Calibration enabled or in progress.
1	CALC	<b>Common Mode DAC Gain Calibration.</b> 0 = Normal operation or calibration complete. 1 = Calibration enabled or in progress.
0	CALIL	<b><math>I_{LIM}</math> Calibration.</b> 0 = Normal operation or calibration complete. 1 = Calibration enabled or in progress.

# Si3210/Si3211

## Register 97. Calibration Control/Status Register 2

Bit	D7	D6	D5	D4	D3	D2	D1	D0
Name				CALM1	CALM2	CALDAC	CALADC	CALCM
Type				R/W	R/W	R/W	R/W	R/W

Reset settings = 0001\_1111

Bit	Name	Function
7:5	Reserved	Read returns zero.
4	CALM1	<b>Monitor ADC Calibration 1.</b> 0 = Normal operation or calibration complete. 1 = Calibration enabled or in progress.
3	CALM2	<b>Monitor ADC Calibration 2.</b> 0 = Normal operation or calibration complete. 1 = Calibration enabled or in progress.
2	CALDAC	<b>DAC Calibration.</b> Setting this bit begins calibration of the audio DAC offset. 0 = Normal operation or calibration complete. 1 = Calibration enabled or in progress.
1	CALADC	<b>ADC Calibration.</b> Setting this bit begins calibration of the audio ADC offset. 0 = Normal operation or calibration complete. 1 = Calibration enabled or in progress.
0	CALCM	<b>Common Mode Balance Calibration.</b> Setting this bit begins calibration of the ac longitudinal balance. 0 = Normal operation or calibration complete. 1 = Calibration enabled or in progress.

## Register 98. RING Gain Mismatch Calibration Result

Bit	D7	D6	D5	D4	D3	D2	D1	D0
Name						CALGMR[4:0]		
Type						R/W		

Reset settings = 0001\_0000

Bit	Name	Function
7:5	Reserved	Read returns zero.
4:0	CALGMR[4:0]	<b>Gain Mismatch of IE Tracking Loop for RING Current.</b>

**Register 99. TIP Gain Mismatch Calibration Result**

Bit	D7	D6	D5	D4	D3	D2	D1	D0
Name					CALGMT[4:0]			
Type	R/W							

Reset settings = 0001\_0000

Bit	Name	Function
7:5	Reserved	Read returns zero.
4:0	CALGMT[4:0]	<b>Gain Mismatch of IE Tracking Loop for TIP Current.</b>

**Register 100. Differential Loop Current Gain Calibration Result**

Bit	D7	D6	D5	D4	D3	D2	D1	D0
Name					CALGD[4:0]			
Type	R/W							

Reset settings = 0001\_0001

Bit	Name	Function
7:5	Reserved	Read returns zero.
4:0	CALGD[4:0]	<b>Differential DAC Gain Calibration Result.</b>

**Register 101. Common Mode Loop Current Gain Calibration Result**

Bit	D7	D6	D5	D4	D3	D2	D1	D0
Name					CALGC[4:0]			
Type	R/W							

Reset settings = 0001\_0001

Bit	Name	Function
7:5	Reserved	Read returns zero.
4:0	CALGC[4:0]	<b>Common Mode DAC Gain Calibration Result.</b>

# Si3210/Si3211

## Register 102. Current Limit Calibration Result

Bit	D7	D6	D5	D4	D3	D2	D1	D0
Name	CALGIL[3:0]							
Type	R/W							

Reset settings = 0000\_1000

Bit	Name	Function
7:5	Reserved	Read returns zero.
3:0	CALGIL[3:0]	<b>Current Limit Calibration Result.</b>

## Register 103. Monitor ADC Offset Calibration Result

Bit	D7	D6	D5	D4	D3	D2	D1	D0
Name	CALMG1[3:0]				CALMG2[3:0]			
Type	R/W				R/W			

Reset settings = 1000\_1000

Bit	Name	Function
7:4	CALMG1[3:0]	<b>Monitor ADC Offset Calibration Result 1.</b>
3:0	CALMG2[3:0]	<b>Monitor ADC Offset Calibration Result 2.</b>

## Register 104. Analog DAC/ADC Offset

Bit	D7	D6	D5	D4	D3	D2	D1	D0
Name					DACP	DACN	ADCP	ADCN
Type					R/W	R/W	R/W	R/W

Reset settings = 0000\_0000

Bit	Name	Function
7:4	Reserved	Read returns zero.
3	DACP	<b>Positive Analog DAC Offset.</b>
2	DACN	<b>Negative Analog DAC Offset.</b>
1	ADCP	<b>Positive Analog ADC Offset.</b>
0	ADCN	<b>Negative Analog ADC Offset.</b>

**Register 105. DAC Offset Calibration Result**

Bit	D7	D6	D5	D4	D3	D2	D1	D0
Name	DACOF[7:0]							
Type	R/W							

Reset settings = 0000\_0000

Bit	Name	Function
7:0	DACOF[7:0]	<b>DAC Offset Calibration Result.</b>

**Register 106. Common Mode Balance Calibration Result**

Bit	D7	D6	D5	D4	D3	D2	D1	D0
Name	CMBAL[5:0]							
Type								

Reset settings = 0010\_0000

Bit	Name	Function
7:6	Reserved	Read returns zero.
5:0	CMBAL[5:0]	<b>Common Mode Balance Calibration Result.</b>

**Register 107. DC Peak Current Monitor Calibration Result**

Bit	D7	D6	D5	D4	D3	D2	D1	D0
Name	CMDCPK[3:0]							
Type	R/W							

Reset settings = 0000\_1000

Bit	Name	Function
7:4	Reserved	Read returns zero.
3:0	CMDCPK[3:0]	<b>DC Peak Current Monitor Calibration Result.</b>

# Si3210/Si3211

## Register 108. Enhancement Enable

Note: The Enhancement Enable register and associated features are available in silicon revisions C and later.

Si3210								
Bit	D7	D6	D5	D4	D3	D2	D1	D0
Name	ILIMEN	FSKEN	DCSU	ZSEXT		LCVE	DCFIL	HYSTEN
Type	R/W	R/W	R/W	R/W		R/W	R/W	R/W

Reset settings = 0000\_0000

Si3211								
Bit	D7	D6	D5	D4	D3	D2	D1	D0
Name	ILIMEN	FSKEN		ZSEXT	SWDB	LCVE		HYSTEN
Type	R/W	R/W		R/W	R/W	R/W		R/W

Reset settings = 0000\_0000

Bit	Name	Function
7	ILIMEN	<p><b>Current Limit Increase.</b></p> <p>When enabled, this bit temporarily increases the maximum differential current limit at the end of a ring burst to enable a faster settling time to a dc linefeed state.</p> <p>0 = The value programmed in ILIM (direct Register 71) is used.</p> <p>1 = The maximum differential loop current limit is temporarily increased to 41 mA.</p>
6	FSKEN	<p><b>FSK Generation Enhancement.</b></p> <p>When enabled, this bit will increase the clocking rate of tone generator 1 to 24 kHz only when the REL bit (direct Register 32, bit 6) is set. Also, dedicated oscillator registers are used for FSK generation (indirect registers 99–104). Audio tones are generated using this new higher frequency, and oscillator 1 active and inactive timers have a finer bit resolution of 41.67 <math>\mu</math>s. This provides greater resolution during FSK caller ID signal generation.</p> <p>0 = Tone generator always clocked at 8 kHz; OSC1, OSC1X., and OSC1Y are always used.</p> <p>1 = Tone generator module clocked at 24 kHz and dedicated FSK registers used only when REL = 1; otherwise clocked at 8 kHz.</p>
5	DCSU	<p><b>DC-DC Converter Control Speedup (Si3210 only).</b></p> <p>When enabled, this bit invokes a multi-threshold error control algorithm which allows the dc-dc converter to adjust more quickly to voltage changes.</p> <p>0 = Normal control algorithm used.</p> <p>1 = Multi-threshold error control algorithm used.</p>

Bit	Name	Function
4	ZSEXT	<p><b>Impedance Internal Reference Resistor Disable.</b></p> <p>When enabled, this bit removes the internal reference resistor used to synthesize ac impedances for 600 + 2.1 <math>\mu</math>F and 900 + 2.16 <math>\mu</math>F so that an external resistor reference may be used.</p> <p>0 = Internal resistor used to generate 600 + 2.1 <math>\mu</math>F and 900 + 2.16 <math>\mu</math>F impedances. 1 = Internal resistor removed from circuit.</p>
3	SWDB	<p><b>Battery Switch Debounce (Si3211 only).</b></p> <p>When enabled, this bit allows debouncing of the battery switching circuit only when transitioning from <math>V_{BATH}</math> to <math>V_{BATL}</math> external battery supplies (EXTBAT = 1).</p> <p>0 = No debounce used. 1 = 60 ms debounce period used. Si3210 = Reserved.</p>
2	LCVE	<p><b>Voltage-Based Loop Closure.</b></p> <p>Enables loop closure to be determined by the TIP-to-RING voltage rather than loop current.</p> <p>0 = Loop closure determined by loop current. 1 = Loop closure determined by TIP-to-RING voltage.</p>
1	DCFIL	<p><b>DC-DC Converter Squelch (Si3210 only).</b></p> <p>When enabled, this bit squelches noise in the audio band from the dc-dc converter control loop.</p> <p>0 = Voice band squelch disabled. 1 = Voice band squelch enabled.</p>
0	HYSTEN	<p><b>Loop Closure Hysteresis Enable.</b></p> <p>When enabled, this bit allows hysteresis to the loop closure calculation. The upper and lower hysteresis thresholds are defined by indirect registers 28 and 43, respectively.</p> <p>0 = Loop closure hysteresis disabled. 1 = Loop closure hysteresis enabled.</p>

## 4. Indirect Registers

Indirect registers are not directly mapped into memory but are accessible through the IDA and IAA registers. A write to IDA followed by a write to IAA is interpreted as a write request to an indirect register. In this case, the contents of IDA are written to indirect memory at the location referenced by IAA at the next indirect register update. A write to IAA without first writing to IDA is interpreted as a read request from an indirect register. In this case, the value located at IAA is written to IDA at the next indirect register update. Indirect registers are updated at a rate of 16 kHz. For pending indirect register transfers, IAS (direct Register 31) will be one until serviced. In addition, an interrupt, IND (Register 20), can be generated upon completion of the indirect transfer.

### 4.1. DTMF Decoding

All values are represented in 2s-complement format.

**Note:** The values of all indirect registers are undefined following the reset state.

**Table 37. DTMF Indirect Registers Summary**

Addr.	D15	D14	D13	D12	D11	D10	D9	D8	D7	D6	D5	D4	D3	D2	D1	D0
0	ROW0[15:0]															
1	ROW1[15:0]															
2	ROW2[15:0]															
3	ROW3[15:0]															
4	COL[15:0]															
5	FWDTW[15:0]															
6	REVTW[15:0]															
7	ROWREL[15:0]															
8	COLREL[15:0]															
9	ROW2[15:0]															
10	COL2[15:0]															
11	PWRMIN[15:0]															
12	HOTL[15:0]															

Table 38. DTMF Indirect Registers Description

Addr.	Description	Reference Page
0	<b>DTMF Row 0 Peak Magnitude Pass Ratio Threshold.</b> This register sets the minimum power ratio threshold for row 0 DTMF detection. If the ratio of power in row 0 to total power in the row band is greater than ROW0, a row 0 signal is detected. A value of 0x7FF0 corresponds to a 1.0 ratio.	49
1	<b>DTMF Row 1 Peak Magnitude Pass Ratio Threshold.</b> This register sets the minimum power ratio threshold for row 1 DTMF detection. If the ratio of power in row 1 to total power in the row band is greater than ROW1, a row 1 signal is detected. A value of 0x7FF0 corresponds to a 1.0 ratio.	49
2	<b>DTMF Row 2 Peak Magnitude Pass Ratio Threshold.</b> This register sets the minimum power ratio threshold for row 2 DTMF detection. If the ratio of power in row 2 to total power in the row band is greater than ROW2, a row 2 signal is detected. A value of 0x7FF0 corresponds to a 1.0 ratio.	49
3	<b>DTMF Row 3 Peak Magnitude Pass Ratio Threshold.</b> This register sets the minimum power ratio threshold for row 3 DTMF detection. If the ratio of power in row 3 to total power in the row band is greater than ROW3, a row 3 signal is detected. A value of 0x7FF0 corresponds to a 1.0 ratio.	49
4	<b>DTMF Column Peak Magnitude Pass Threshold.</b> This register sets the minimum power ratio threshold for column DTMF detection; all columns use the same threshold. If the ratio of power in a particular column to total power in the column band is greater than COL, a column detect for that particular column signal is detected. A value of 0x7FF0 corresponds to a 1.0 ratio.	49
5	<b>DTMF Forward Twist Threshold.</b> This register sets the threshold for the power ratio of row power to column power. A value of 0x7F0 corresponds to a 1.0 ratio.	49
6	<b>DTMF Reverse Twist Threshold.</b> This register sets the threshold for the power ratio of column power to row power. A value of 0x7F0 corresponds to a 1.0 ratio.	49
7	<b>DTMF Row Ratio Threshold.</b> This register sets the threshold for the power ratio of highest power row to the other rows. A value of 0x7F0 corresponds to a 1.0 ratio.	49
8	<b>DTMF Column Ratio Threshold.</b> This register sets the threshold for the power ratio of highest power column to the other columns. A value of 0x7F0 corresponds to a 1.0 ratio.	49
9	<b>DTMF Row Second Harmonic Threshold.</b> This register sets the threshold for the power ratio of peak row tone to its second harmonic. A value of 0x7F0 corresponds to a 1.0 ratio.	49
10	<b>DTMF Column Second Harmonic Threshold.</b> This register sets the threshold for the power ratio of peak column tone to its second harmonic. A value of 0x7F0 corresponds to a 1.0 ratio.	49
11	<b>DTMF Power Minimum Threshold.</b> This register sets the threshold for the minimum total power in the DTMF calculation, under which the calculation is ignored.	49
12	<b>DTMF Hot Limit Threshold.</b> This register sets the two-step AGC in the DTMF path.	49

# Si3210/Si3211

## 4.2. Oscillators

See functional description sections of tone generation, ringing, and pulse metering for guidelines on computing register values. All values are represented in 2s-complement format.

**Note:** The values of all indirect registers are undefined following the reset state. Shaded areas denote bits that can be read and written but must be written to zeroes.

**Table 39. Oscillator Indirect Registers Summary**

Addr.	D15	D14	D13	D12	D11	D10	D9	D8	D7	D6	D5	D4	D3	D2	D1	D0	
13	OSC1[15:0]																
14	OSC1X[15:0]																
15	OSC1Y[15:0]																
16	OSC2[15:0]																
17	OSC2X[15:0]																
18	OSC2Y[15:0]																
19		ROFF[5:0]															
20	RCO[15:0]																
21	RNGX[15:0]																
22	RNGY[15:0]																
23	PLSD[15:0]																
24	PLSX[15:0]																
25	PLSCO[15:0]																

Not recommended for new designs.  
Please note the Si3210 has been discontinued.

Table 40. Oscillator Indirect Registers Description

Addr.	Description	Reference Page
13	<b>Oscillator 1 Frequency Coefficient.</b> Sets tone generator 1 frequency.	41
14	<b>Oscillator 1 Amplitude Register.</b> Sets tone generator 1 signal amplitude.	41
15	<b>Oscillator 1 Initial Phase Register.</b> Sets initial phase of tone generator 1 signal.	41
16	<b>Oscillator 2 Frequency Coefficient.</b> Sets tone generator 2 frequency.	41
17	<b>Oscillator 2 Amplitude Register.</b> Sets tone generator 2 signal amplitude.	41
18	<b>Oscillator 2 Initial Phase Register.</b> Sets initial phase of tone generator 2 signal.	41
19	<b>Ringling Oscillator DC Offset.</b> Sets dc offset component ( $V_{TIP}-V_{RING}$ ) to ringling waveform. The range is 0 to 94.5 V in 1.5 V increments.	43
20	<b>Ringling Oscillator Frequency Coefficient.</b> Sets ringling generator frequency.	43
21	<b>Ringling Oscillator Amplitude Register.</b> Sets ringling generator signal amplitude.	43
22	<b>Ringling Oscillator Initial Phase Register.</b> Sets initial phase of ringling generator signal.	43
23	<b>Pulse Metering Oscillator Attack/Decay Ramp Rate.</b> Sets pulse metering attack/decay ramp rate.	47
24	<b>Pulse Metering Oscillator Amplitude Register.</b> Sets pulse metering generator signal amplitude.	47
25	<b>Pulse Metering Oscillator Frequency Coefficient.</b> Sets pulse metering generator frequency.	47

## 4.3. Digital Programmable Gain/Attenuation

See functional description sections of digital programmable gain/attenuation for guidelines on computing register values. All values are represented in 2s-complement format.

**Note:** The values of all indirect registers are undefined following the reset state. Shaded areas denote bits that can be read and written but must be written to zeroes.

**Table 41. Digital Programmable Gain/Attenuation Indirect Registers Summary**

Addr.	D15	D14	D13	D12	D11	D10	D9	D8	D7	D6	D5	D4	D3	D2	D1	D0
26	DACG[11:0]															
27	ADCG[11:0]															

**Table 42. Digital Programmable Gain/Attenuation Indirect Registers Description**

Addr.	Description	Reference Page
26	<p><b>Receive Path Digital to Analog Converter Gain/Attenuation.</b></p> <p>This register sets gain/attenuation for the receive path. The digitized signal is effectively multiplied by DACG to achieve gain/attenuation. A value of 0x00 corresponds to <math>-\infty</math> dB gain (mute). A value of 0x400 corresponds to unity gain. A value of 0x7FF corresponds to a gain of 6 dB.</p>	49
27	<p><b>Transmit Path Analog to Digital Converter Gain/Attenuation.</b></p> <p>This register sets gain/attenuation for the transmit path. The digitized signal is effectively multiplied by ADCG to achieve gain/attenuation. A value of 0x00 corresponds to <math>-\infty</math> dB gain (mute). A value of 0x400 corresponds to unity gain. A value of 0x7FF corresponds to a gain of 6 dB.</p>	49

#### 4.4. SLIC Control

See descriptions of linefeed interface and power monitoring for guidelines on computing register values. All values are represented in 2s-complement format.

**Note:** The values of all indirect registers are undefined following the reset state. Shaded areas denote bits that can be read and written but must be written to zeroes.

**Table 43. SLIC Control Indirect Registers Summary**

Addr.	D15	D14	D13	D12	D11	D10	D9	D8	D7	D6	D5	D4	D3	D2	D1	D0
28				LCRT[5:0]												
29				RPTP[5:0]												
30				CML[5:0]												
31				CMH[5:0]												
32				PPT12[7:0]												
33				PPT34[7:0]												
34				PPT56[7:0]												
35				NCLR[12:0]												
36				NRTP[12:0]												
37				NQ12[12:0]												
38				NQ34[12:0]												
39				NQ56[12:0]												
40				VCMR[3:0]												
41				VMIND[3:0]*												
42																
43				LCRTL[5:0]												

**\*Note:** Si3210 only.

**Table 44. SLIC Control Indirect Registers Description**

Addr.	Description	Reference Page
28	<b>Loop Closure Threshold.</b> Loop closure detection threshold. This register defines the upper bounds threshold if hysteresis is enabled (direct Register 108, bit 0). The range is 0–80 mA in 1.27 mA steps.	35
29	<b>Ring Trip Threshold.</b> Ring trip detection threshold during ringing.	46
30	<b>Common Mode Minimum Threshold for Speed-Up.</b> This register defines the negative common mode voltage threshold. Exceeding this threshold enables a wider bandwidth of dc linefeed control for faster settling times. The range is 0–23.625 V in 0.375 V steps.	
31	<b>Common Mode Maximum Threshold for Speed-Up.</b> This register defines the positive common mode voltage threshold. Exceeding this threshold enables a wider bandwidth of dc linefeed control for faster settling times. The range is 0–23.625 V in 0.375 V steps.	
32	<b>Power Alarm Threshold for Transistors Q1 and Q2.</b>	33
33	<b>Power Alarm Threshold for Transistors Q3 and Q4.</b>	33
34	<b>Power Alarm Threshold for Transistors Q5 and Q6.</b>	33
35	<b>Loop Closure Filter Coefficient.</b>	35
36	<b>Ring Trip Filter Coefficient.</b>	46
37	<b>Thermal Low Pass Filter Pole for Transistors Q1 and Q2.</b>	33
38	<b>Thermal Low Pass Filter Pole for Transistors Q3 and Q4.</b>	33
39	<b>Thermal Low Pass Filter Pole for Transistors Q5 and Q6.</b>	33
40	<b>Common Mode Bias Adjust During Ringing.</b> Recommended value of 0 decimal.	43
41	<b>DC-DC Converter <math>V_{OV}</math> Voltage (Si3210 only).</b> This register sets the overhead voltage, $V_{OV}$ , to be supplied by the dc-dc converter. When the VOV bit = 0 (direct Register 66, bit 4), $V_{OV}$ should be set between 0 and 9 V (VMIND = 0 to 6h). When the VOV bit = 1, $V_{OV}$ should be set between 0 and 13.5 V (VMIND = 0 to 9h).	36
42	Reserved.	
43	<b>Loop Closure Threshold—Lower Bound.</b> This register defines the lower threshold for loop closure hysteresis, which is enabled in bit 0 of direct Register 108. The range is 0–80 mA in 1.27 mA steps.	35

## 4.5. FSK Control

For detailed instructions on FSK signal generation, refer to “Application Note 32: FSK Generation” (AN32). These registers support enhanced FSK generation mode, which is enabled by setting FSKEN = 1 (direct Register 108, bit 6) and REL = 1 (direct Register 32, bit 6).

**Table 45. FSK Control Indirect Registers Summary**

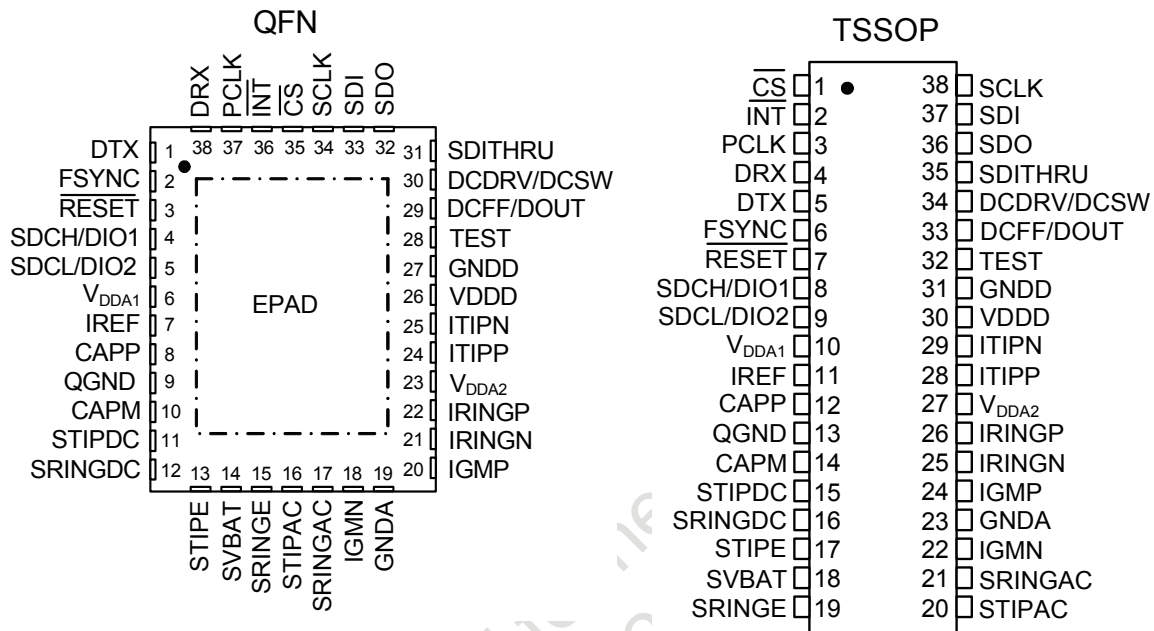
Addr.	D15	D14	D13	D12	D11	D10	D9	D8	D7	D6	D5	D4	D3	D2	D1	D0
99	FSK0X[15:0]															
100	FSK0[15:0]															
101	FSK1X[15:0]															
102	FSK1[15:0]															
103	FSK01[15:0]															
104	FSK10[15:0]															

**Table 46. FSK Control Indirect Registers Description**

Addr.	Description	Reference Page
99	<b>FSK Amplitude Coefficient for Space.</b> When FSKEN = 1 and REL = 1, this register sets the amplitude to be used when generating a space or “0”. When the active timer (OAT1) expires, the value of this register is loaded into oscillator 1 instead of OSC1X.	43 and AN32
100	<b>FSK Frequency Coefficient for Space.</b> When FSKEN = 1 and REL = 1, this register sets the frequency to be used when generating a space or “0”. When the active timer (OAT1) expires, the value of this register is loaded into oscillator 1 instead of OSC1.	43 and AN32
101	<b>FSK Amplitude Coefficient for Mark.</b> When FSKEN = 1 and REL = 1, this register sets the amplitude to be used when generating a mark or “1”. When the active timer (OAT1) expires, the value of this register is loaded into oscillator 1 instead of OSC1X.	43 and AN32
102	<b>FSK Frequency Coefficient for Mark.</b> When FSKEN = 1 and REL = 1, this register sets the frequency to be used when generating a mark or “1”. When the active timer (OAT1) expires, the value of this register is loaded into oscillator 1 instead of OSC1.	43 and AN32
103	<b>FSK Transition Parameter from 0 to 1.</b> When FSKEN = 1 and REL = 1, this register defines a gain correction factor that is applied to signal amplitude when transitioning from a space (0) to a mark (1).	43 and AN32
104	<b>FSK Transition Parameter from 1 to 0.</b> When FSKEN = 1 and REL = 1, this register defines a gain correction factor that is applied to signal amplitude when transitioning from a mark (1) to a space (0).	43 and AN32

# Si3210/Si3211

## 5. Pin Descriptions: Si3210/11



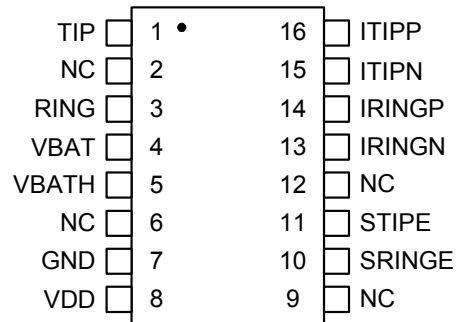
QFN Pin #	TSSOP Pin #	Name	Description
35	1	$\overline{\text{CS}}$	<b>Chip Select.</b> Active low. When inactive, SCLK and SDI are ignored and SDO is high impedance. When active, the serial port is operational.
36	2	$\overline{\text{INT}}$	<b>Interrupt.</b> Maskable interrupt output. Open drain output for wire-ORed operation.
37	3	PCLK	<b>PCM Bus Clock.</b> Clock input for PCM bus timing.
38	4	DRX	<b>Receive PCM Data.</b> Input data from PCM bus.
1	5	DTX	<b>Transmit PCM Data.</b> Output data to PCM bus.
2	6	FSYNC	<b>Frame Synch.</b> 8 kHz frame synchronization signal for the PCM bus. May be short or long pulse format.
3	7	$\overline{\text{RESET}}$	<b>Reset.</b> Active low input. Hardware reset used to place all control registers in the default state.
4	8	SDCH/DIO1	<b>DC Monitor/General Purpose I/O.</b> DC-DC converter monitor input used to detect overcurrent situations in the converter (Si3210 only). General purpose I/O (Si3211 only).

QFN Pin #	TSSOP Pin #	Name	Description
5	9	SDCL/DIO2	<b>DC Monitor/General Purpose I/O.</b> DC-DC converter monitor input used to detect overcurrent situations in the converter (Si3210 only). General purpose I/O (Si3211 only).
6	10	VDDA1	<b>Analog Supply Voltage.</b> Analog power supply for internal analog circuitry.
7	11	IREF	<b>Current Reference.</b> Connects to an external resistor used to provide a high accuracy reference current.
8	12	CAPP	<b>SLIC Stabilization Capacitor.</b> Capacitor used in low pass filter to stabilize SLIC feedback loops.
9	13	QGND	<b>Component Reference Ground.</b>
10	14	CAPM	<b>SLIC Stabilization Capacitor.</b> Capacitor used in low pass filter to stabilize SLIC feedback loops.
11	15	STIPDC	<b>TIP Sense.</b> Analog current input used to sense voltage on the TIP lead.
12	16	SRINGDC	<b>RING Sense.</b> Analog current input used to sense voltage on the RING lead.
13	17	STIPE	<b>TIP Emitter Sense.</b> Analog current input used to sense voltage on the Q6 emitter lead.
14	18	SVBAT	<b>V<sub>BAT</sub> Sense.</b> Analog current input used to sense voltage on dc-dc converter output voltage lead.
15	19	SRINGE	<b>RING Emitter Sense.</b> Analog current input used to sense voltage on the Q5 emitter lead.
16	20	STIPAC	<b>TIP Transmit Input.</b> Analog ac input used to detect voltage on the TIP lead.
17	21	SRINGAC	<b>RING Transmit Input.</b> Analog ac input used to detect voltage on the RING lead.
18	22	IGMN	<b>Transconductance Amplifier External Resistor.</b> Negative connection for transconductance gain setting resistor.
19	23	GNDA	<b>Analog Ground.</b> Ground connection for internal analog circuitry.
20	24	IGMP	<b>Transconductance Amplifier External Resistor.</b> Positive connection for transconductance gain setting resistor.
21	25	IRINGN	<b>Negative Ring Current Control.</b> Analog current output driving Q3.
22	26	IRINGP	<b>Positive Ring Current Control.</b> Analog current output driving Q2.

# Si3210/Si3211

QFN Pin #	TSSOP Pin #	Name	Description
23	27	VDDA2	<b>Analog Supply Voltage.</b> Analog power supply for internal analog circuitry.
24	28	ITIPP	<b>Positive TIP Current Control.</b> Analog current output driving Q1.
25	29	ITIPN	<b>Negative TIP Current Control.</b> Analog current output driving Q4.
26	30	VDDD	<b>Digital Supply Voltage.</b> Digital power supply for internal digital circuitry.
27	31	GNDD	<b>Digital Ground.</b> Ground connection for internal digital circuitry.
28	32	TEST	<b>Test.</b> Enables test modes for Silicon Labs internal testing. This pin should always be tied to ground for normal operation.
29	33	DCFF/DOUT	<b>DC Feed-Forward/High Current General Purpose Output.</b> Feed-forward drive of external bipolar transistors to improve dc-dc converter efficiency (Si3210 only). High current output pin (Si3211 only).
30	34	DCDRV/DCSW	<b>DC Drive/Battery Switch.</b> DC-DC converter control signal output which drives external bipolar transistor (Si3210 only). Battery switch control signal output which drives external bipolar transistor (Si3211 only).
31	35	SDITHRU	<b>SDI Passthrough.</b> Cascaded SDI output signal for daisy-chain mode.
32	36	SDO	<b>Serial Port Data Out.</b> Serial port control data output.
33	37	SDI	<b>Serial Port Data In.</b> Serial port control data input.
34	38	SCLK	<b>Serial Port Bit Clock Input.</b> Serial port clock input. Controls the serial data on SDO and latches the data on SDI.
n/a	n/a	EPAD	<b>Exposed pad.</b> Must have a low thermal resistance connection to ground.

## 6. Pin Descriptions: Si3201



Pin #	Name	Input/Output	Description
1	TIP	I/O	<b>TIP Output</b> —Connect to the TIP lead of the subscriber loop.
2, 6, 9, 12	NC	—	<b>No Internal Connection</b> —Do not connect to any electrical signal.
3	RING	I/O	<b>RING Output</b> —Connect to the RING lead of the subscriber loop.
4	VBAT	—	<b>Operating Battery Voltage</b> —Connect to the battery supply.
5	VBATH	—	<b>High Battery Voltage</b> —This pin is internally connected to VBAT.
7	GND	—	<b>Ground</b> —Connect to a low impedance ground plane.
8	VDD	—	<b>Supply Voltage</b> —Main power supply for all internal circuitry. Connect to a 3.3 V or 5 V supply. Decouple locally with a 0.1 $\mu$ F/6 V capacitor.
10	SRINGE	O	<b>RING Emitter Sense Output</b> —Connect to the SRINGE pin of the Si321x pin.
11	STIPE	O	<b>TIP Emitter Sense Output</b> —Connect to the STIPE pin of the Si321x pin.
13	IRINGN	I	<b>Negative RING Current Control</b> —Connect to the IRINGN lead of the Si321x.
14	IRINGP	I	<b>Positive RING Current Drive</b> —Connect to the IRINGP lead of the Si321x.
15	ITIPN	I	<b>Negative TIP Current Control</b> —Connect to the ITIPN lead of the Si321x.
16	ITIPP	I	<b>Positive TIP Current Control</b> —Connect to the ITIPP lead of the Si321x.
Bottom-Side Exposed Pad		—	<b>Exposed Thermal Pad</b> —Connect to the bulk ground plane.

# Si3210/Si3211

## 7. Ordering Guide

Chip	Description	DC-DC Converter	DTMF Decoder	DCFF Pin Output	Package	Lead-Free and RoHS-Compliant	Temperature
Si3210-E-FM	ProSLIC	✓	✓	$\overline{\text{DCDRV}}$	QFN-38	Yes	0 to 70 °C
Si3210-E-GM	ProSLIC	✓	✓	$\overline{\text{DCDRV}}$	QFN-38	Yes	-40 to 85 °C
Si3210M-E-FM	ProSLIC	✓	✓	DCDRV	QFN-38	Yes	0 to 70 °C
Si3210M-E-GM	ProSLIC	✓	✓	DCDRV	QFN-38	Yes	-40 to 85 °C
Si3210-FT	ProSLIC	✓	✓	$\overline{\text{DCDRV}}$	TSSOP-38	Yes	0 to 70 °C
Si3210-GT	ProSLIC	✓	✓	$\overline{\text{DCDRV}}$	TSSOP-38	Yes	-40 to 85 °C
Si3210M-FT	ProSLIC	✓	✓	DCDRV	TSSOP-38	Yes	0 to 70 °C
Si3210M-GT	ProSLIC	✓	✓	DCDRV	TSSOP-38	Yes	-40 to 85 °C
Si3211-E-FT	ProSLIC		✓	n/a	TSSOP-38	Yes	0 to 70 °C
Si3211-E-GT	ProSLIC		✓	n/a	TSSOP-38	Yes	-40 to 85 °C
Si3211-E-FM	ProSLIC		✓	n/a	QFN-38	Yes	0 to 70 °C
Si3211-E-GM	ProSLIC		✓	n/a	QFN-38	Yes	-40 to 85 °C
Si3201-FS	Linefeed Interface			n/a	SOIC-16	Yes	0 to 70 °C
Si3201-GS	Linefeed Interface			n/a	SOIC-16	Yes	-40 to 85 °C

**Note:** Add an "R" at the end of the device to denote tape and reel; 2500 quantity per reel.

**Table 47. Evaluation Kit Ordering Guide**

<b>Item</b>	<b>Supported ProSLIC</b>	<b>Description</b>	<b>Linefeed Interface</b>
Si3210PPQX-EVB	Si3210-QFN	Eval Board, Daughter Card	Discrete
Si3210PPQ1-EVB	Si3210-QFN	Eval Board, Daughter Card	Si3201
Si3210PPTX-EVB	Si3210-TSSOP	Eval Board, Daughter Card	Discrete
Si3210PPT1-EVB	Si3210-TSSOP	Eval Board, Daughter Card	Si3201
Si3210MPPTX-EVB	Si3210M-TSSOP	Eval Board, Daughter Card	Discrete
Si3210MPPT1-EVB	Si3210M-TSSOP	Eval Board, Daughter Card	Si3201
Si3211PPTX-EVB	Si3211-TSSOP	Eval Board, Daughter Card	Discrete

Not recommended for new designs.  
Please note the Si3201 has been discontinued.

## 8. Package Outlines and PCB Land Patterns

### 8.1. 38-Pin QFN

#### 8.1.1. Package Outline: 38-Pin QFN

Figure 33 illustrates the package details for the Si321x. Table 48 lists the values for the dimensions shown in the illustration.

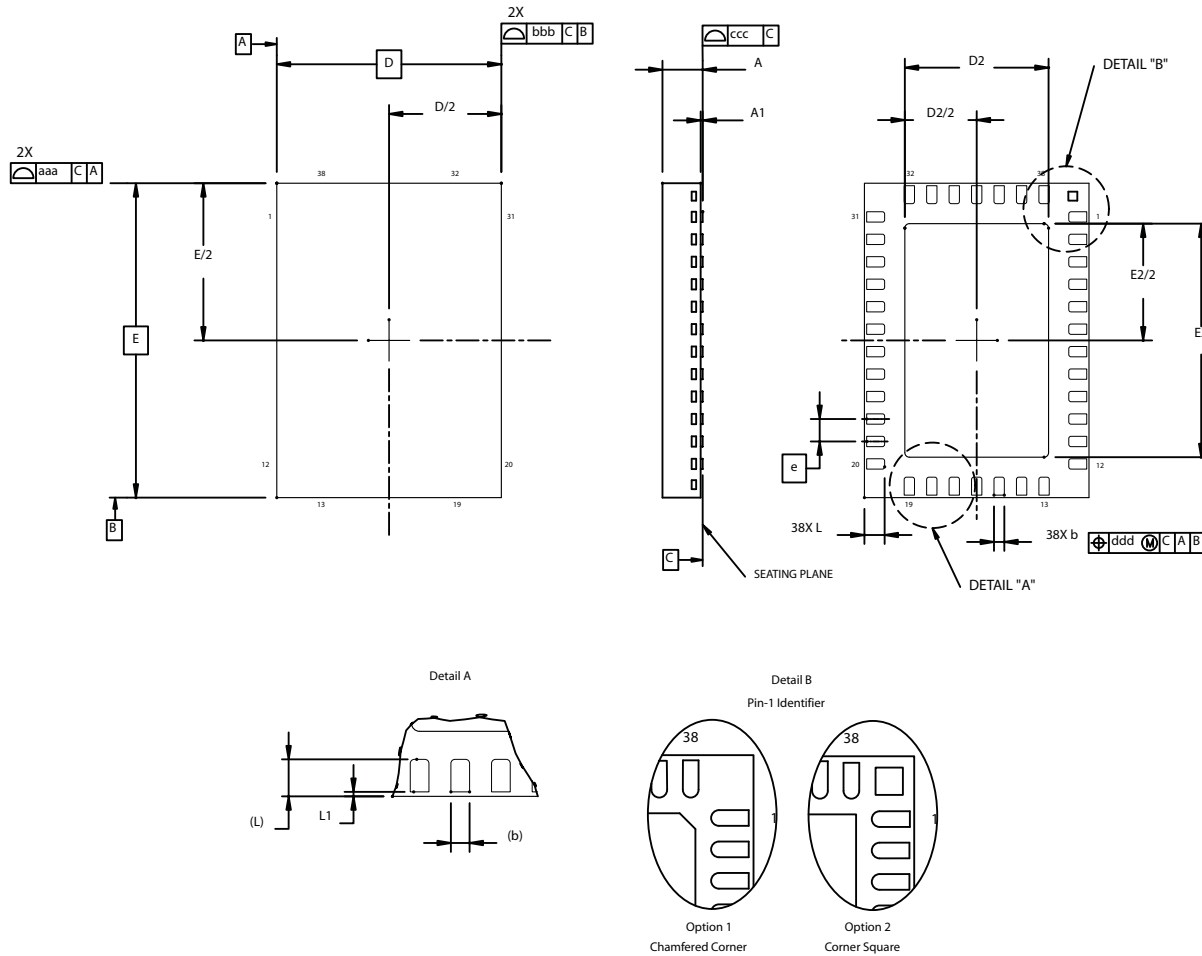


Figure 33. 38-Pin Quad Flat No-Lead Package (QFN)

Table 48. Package Diagram Dimensions<sup>1,2,3</sup>

Symbol	Millimeters		
	Min	Nom	Max
A	0.75	0.85	0.95
A1	0.00	0.01	0.05
b	0.18	0.23	0.30
D	5.00 BSC.		
D2	3.10	3.20	3.30
e	0.50 BSC.		
E	7.00 BSC.		
E2	5.10	5.20	5.30
L	0.35	0.45	0.55
L1	0.03	0.05	0.08
aaa	—	—	0.10
bbb	—	—	0.10
ccc	—	—	0.08
ddd	—	—	0.10
<b>Notes:</b>			
1. All dimensions shown are in millimeters (mm) unless otherwise noted.			
2. Dimensioning and Tolerancing per ANSI Y14.5M-1982.			
3. Recommended card reflow profile is per the JEDEC/IPC J-STD-020C specification for Small Body Components.			

Not recommended for new designs.  
Please note this Si3210 has been discontinued.

# Si3210/Si3211

## 8.1.2. PCB Land Pattern: 38-Pin QFN

Figure 34 shows the recommended land pattern for the Si3210/11 QFN-38 package. Table 49 lists the values for the dimensions shown in the illustration.

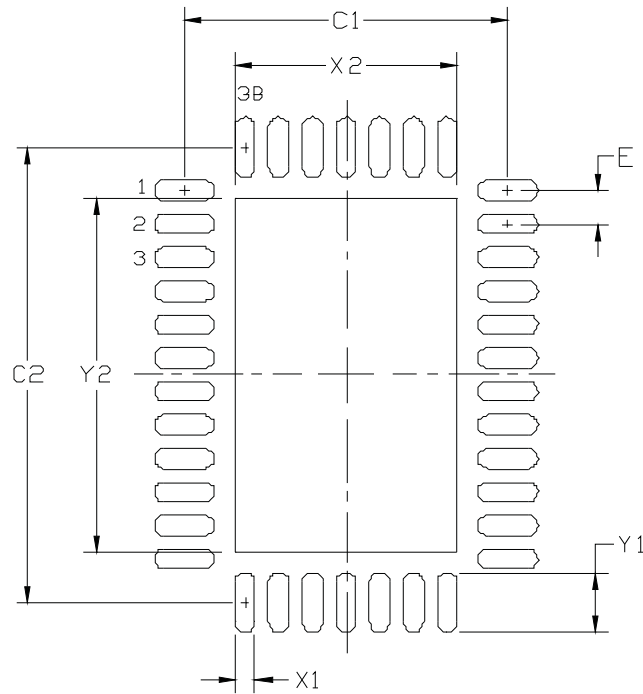


Figure 34. QFN-38 Land Pattern Drawing

Not recommended  
Please note this is a discontinued product

Table 49. QFN-38 PCB Land Pattern Dimensions

Dimension	Feature	Min.	Max.
C1	Pad column spacing	4.70	4.80
C2	Pad row spacing	6.70	6.80
E	Pad pitch	0.50 BSC	
X1	Pin pad width	0.20	0.30
X2	Thermal pad width	3.20	3.30
Y1	Pin pad width	0.80	0.90
Y2	Thermal pad length	5.20	5.30

**Notes:**

**General**

- All dimensions shown are in millimeters (mm) unless otherwise noted.
- This Land Pattern Design is based on the IPC-7351 guidelines.

**Solder Mask Design**

- All metal pads are to be non-solder mask defined (NSMD). Clearance between the solder mask and the metal pad is to be 60µm minimum, all the way around the pad.

**Stencil Design**

- A stainless steel, laser-cut and electro-polished stencil with trapezoidal walls should be used to assure good solder paste release.
- The stencil thickness should be 0.125mm (5 mils).
- The ratio of stencil aperture to land pad size should be 1:1 for all perimeter pads
- A 3x5 array of 0.90mm square openings on 1.10mm pitch should be used for the center ground pad.

**Card Assembly**

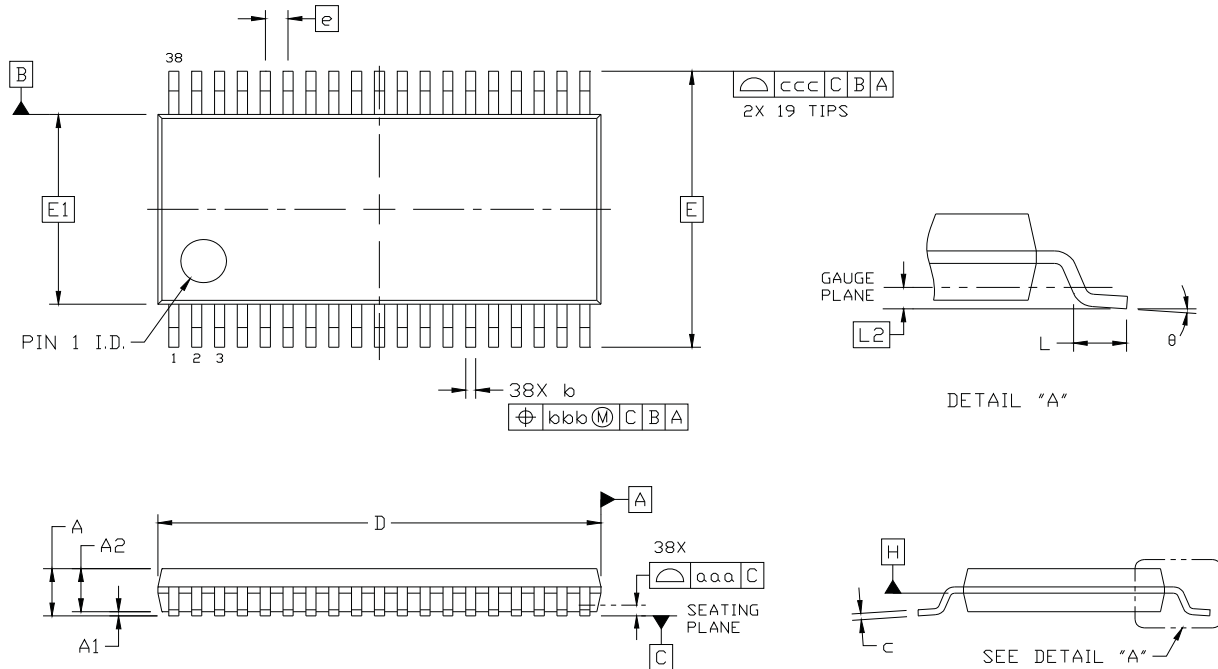
- A No-Clean, Type-3 solder paste is recommended.
- The recommended card reflow profile is per the JEDEC/IPEC J-STD-020C specification for Small Body Components.

# Si3210/Si3211

## 8.2. 38-Pin TSSOP

### 8.2.1. Package Outline: 38-Pin TSSOP

Figure 35 illustrates the package details for the Si321x. Table 50 lists the values for the dimensions shown in the illustration.



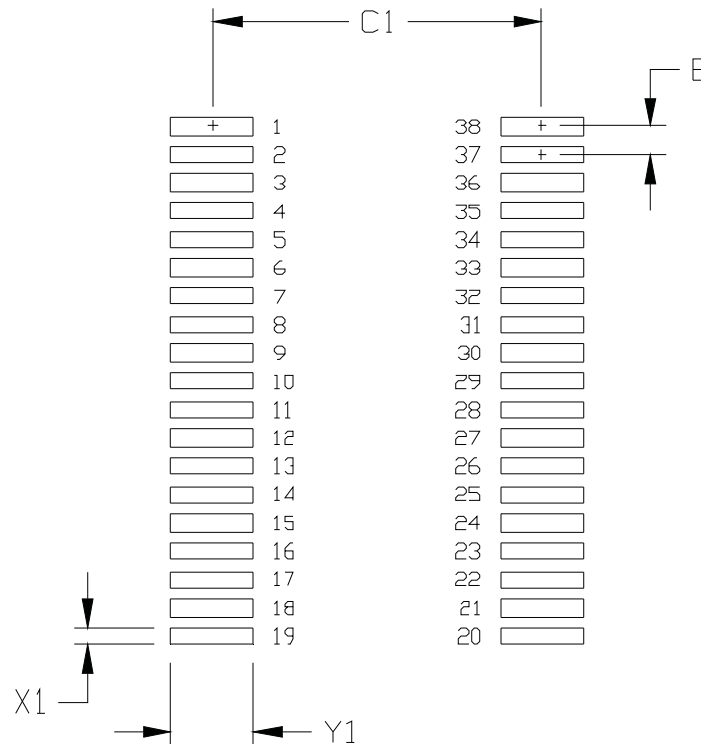
**Figure 35. 38-Pin Thin Shrink Small Outline Package (TSSOP)**

**Table 50. Package Diagram Dimensions**

Symbol	Millimeters		
	Min	Nom	Max
A	—	—	1.20
A1	0.05	—	0.15
A2	0.80	1.00	1.05
b	0.17	—	0.27
c	0.09	—	0.20
D	9.60	9.70	9.80
E	6.40 BSC		
E1	4.30	4.40	4.50
e	0.50 BSC		
L	0.45	0.60	0.75
L2	0.25 BSC		
$\theta$	0°	—	8°
aaa	0.10		
bbb	0.08		
ccc	0.20		

## 8.2.2. PCB Land Pattern: 38-Pin TSSOP

Figure 36 illustrates the recommended land pattern for the Si3210/11 TSSOP-38 package. Table 51 lists the values for the dimensions shown in the illustration.



**Figure 36. TSSOP-38 PCB Land Pattern Drawing**

**Table 51. PCB Land Pattern Dimensions**

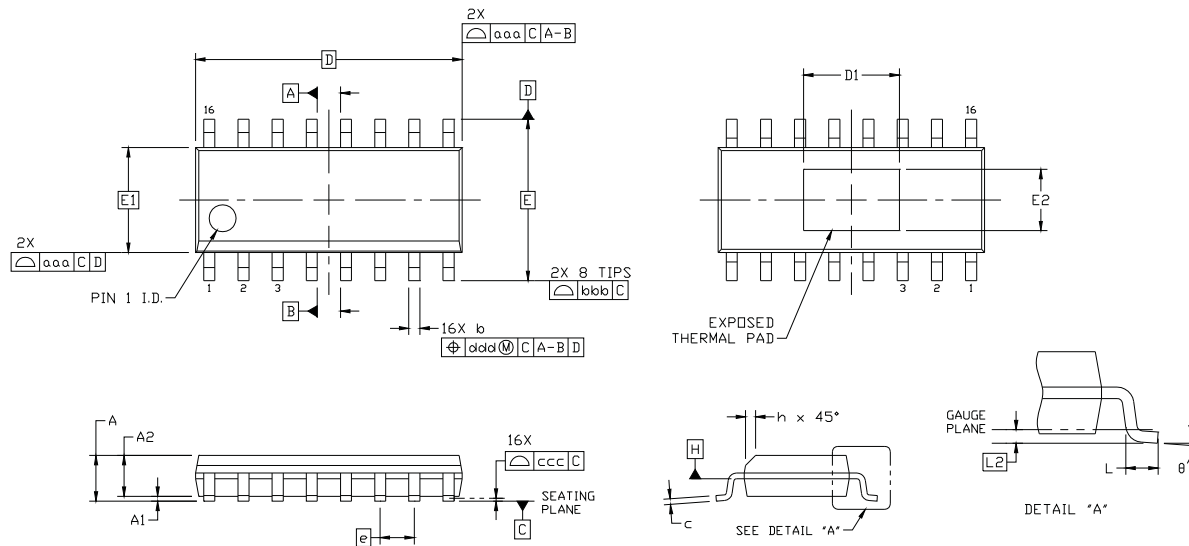
Dimension	Feature	(mm)
C1	Pad Column Spacing	5.80
E	Pad Row Pitch	0.50
X1	Pad Width	0.30
Y1	Pad Length	1.45
<b>Notes:</b>		
<ol style="list-style-type: none"> <li>1. All dimensions shown are in millimeters (mm) unless otherwise noted.</li> <li>2. Dimensioning and Tolerancing per ASME Y14.5M-1994.</li> <li>3. This Land Pattern Design is based on IPC-7351 guidelines.</li> <li>4. All dimensions shown are at Maximum Material Condition (MMC). Least Material Condition (LMC) is calculated based on a Fabrication Allowance of 0.05mm.</li> <li>5. The recommended card reflow profile is per the JEDEC/IPC J-STD-020 specification for Small Body Components.</li> </ol>		

# Si3210/Si3211

## 8.3. 16-Pin ESOIC

### 8.3.1. Package Outline: 16-Pin ESOIC

Figure 37 illustrates the package details for the Si3201. Table 52 lists the values for the dimensions shown in the illustration.



**Figure 37. 16-Pin Thermal Enhanced Small Outline Integrated Circuit (ESOIC) Package**

**Table 52. Package Diagram Dimensions**

Symbol	Millimeters	
	Min	Max
A	—	1.75
A1	0.00	0.15
A2	1.25	—
b	0.31	0.51
c	0.17	0.25
D	9.90 BSC	
D1	3.45	3.65
E	6.00 BSC	
E1	3.90 BSC	
E2	2.20	2.40
e	1.27 BSC	
L	0.40	1.27
L2	0.25 BSC	
h	0.25	0.50
θ	0°	8°
aaa	0.10	
bbb	0.20	
ccc	0.10	
ddd	0.25	

### 8.3.2. PCB Land Pattern: 16-Pin ESOIC

Figure 38 illustrates the recommended land pattern for the Si3201 SOIC-16 package. Table 53 lists the values for the dimensions shown in the illustration.

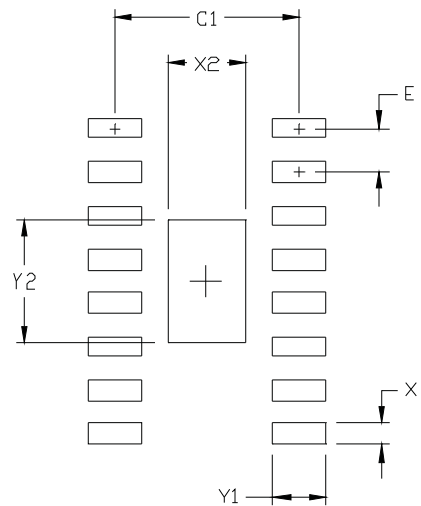


Figure 38. SOIC-16 PCB Land Pattern Drawing

Table 53. SOIC-16 PCB Land Pattern Dimensions

Dimension	Feature	Min	Max
C1	Pin pad column spacing	5.30	5.40
E	Pin pad row pitch	1.27 BSC	
X1	Pin pad width	0.50	0.60
Y1	Pin pad length	1.45	1.55
X2	Thermal pad width	2.20	2.30
Y2	Thermal pad length	3.50	3.60

**Notes:**

**General**

1. All dimensions shown are in millimeters (mm) unless otherwise noted.
2. Dimensioning and Tolerancing per ASME Y14.5M-1994.
3. This Land Pattern Design is based on IPC-7351 pattern SOIC127P600X175-17N.

**Solder Mask Design**

1. All metal pads are to be non-solder mask defined (NSMD). Clearance between the solder mask and the metal pad is to be 60 $\mu$ m minimum, all the way around the pad.

**Stencil Design**

1. A stainless steel, laser-cut and electro-polished stencil with trapezoidal walls should be used to assure good solder paste release.
2. The stencil thickness should be 0.125mm (5 mils).
3. The ratio of stencil aperture to land pad size should be 1:1 for all perimeter pads.

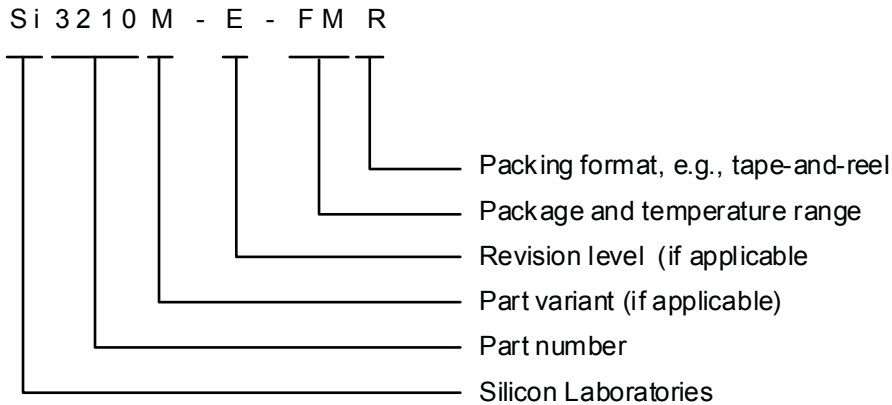
**Card Assembly**

1. A No-Clean, Type-3 solder paste is recommended.
2. The recommended card reflow profile is per the JEDEC/IPC J-STD-020C specification for Small Body Components.

## 9. Product Identification

### 9.1. Ordering Part Number

The ordering part number indicates the device number, device variant (optional), device revision level, package type, temperature range, and packing format, e.g., tape-and-reel, and identifies Silicon Laboratories as the manufacturer. It will be of the following form:



See the ordering guide above for a list of valid ordering part numbers.

### 9.2. Marking Part Number

See the Package Marking section for an example and explanation of the markings on the device. Note that the part number marked on the device is different from the Ordering Part Number and that the product revision level is indicated by the first (1<sup>st</sup>) character of the Manufacturing Code.

## 10. Package Marking (Top Mark)

### 10.1. QFN Package

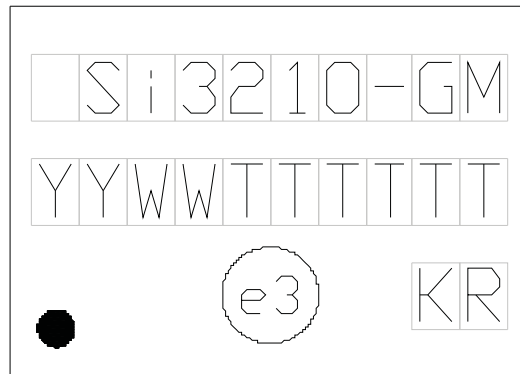


Figure 39. QFN Top Mark Diagram

Table 54. Explanation of QFN Top Mark

Line 1 Marking:	Silicon Labs prefix	“Si”
	Device number	e.g., “3210”
	Device variant (optional)	e.g., “M”
	Separator	“_”
	Package/temperature range	e.g., “FM”, “GM”, etc
Line 2 Marking:	YY=Year WW=Work Week	Date of manufacture
	TTTTTT=Mfg Code	Internal manufacturing code; 1st character=product revision level
Line 3 Marking:	Circle=0.5 mm Diameter Lower Left-Justified	Pin 1 Identifier
	Circle=1.3 mm Diameter Center-Justified	“e3” Pb-Free Symbol
	Country of Origin ISO Code Abbreviation	e.g., KR, TW, etc

## 10.2. TSSOP Package



**Figure 40. TSSOP Top Mark Diagram**

**Table 55. Explanation of TSSOP Top Mark**

Line 1 Marking:	Silicon Labs prefix	“Si”
	Device number	e.g., “3210”
	Device variant (optional)	e.g., “M”
	Separator	“ - ”
	Package/temperature range	e.g., “FM”, “GM”, etc
Line 2 Marking:	YY=Year WW=Work Week	Date of manufacture
	RFAIXX=Mfg Code	Internal manufacturing code; 1st character=product revision level
Line 3 Marking:	Circle=0.5 mm Diameter Lower Left-Justified	Pin 1 Identifier
	Circle=1.3 mm Diameter Center-Justified	“e3” Pb-Free Symbol
	Country of Origin ISO Code Abbreviation	e.g., KR, TW, etc

## 10.3. SOIC (Si3201) Package

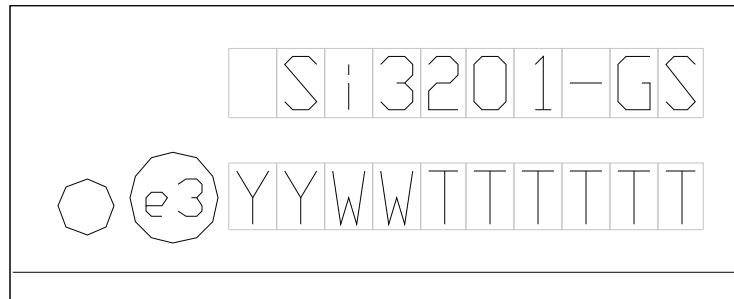


Figure 41. SOIC Top Mark Diagram

Table 56. Explanation of SOIC Top Mark

Line 1 Marking:	Silicon Labs prefix	“Si”
	Device number	e.g., “3201”
	Separator	“_”
	Package/temperature range	e.g., “GS”
Line 2 Marking:	Circle=0.5 mm Diameter Center-Justified	Pin 1 Identifier
	Circle=1.3 mm Diameter Lower Left-Justified	“e3” Pb-Free Symbol
	YY=Year WW=Work Week	Date of manufacture
	TTTTTT	Internal manufacturing code; 1st character=product revision level

## DOCUMENT CHANGE LIST

### Revision 1.41 to Revision 1.42

- 16-pin ESOIC dimension A1 corrected in Table 50 on page 136.
- Delay time between chip selects,  $t_{CS}$ , changed from 220 ns to 440 ns in Table 10 on page 13.
- C10 changed from 22 nF to 0.1  $\mu$ F in Figure 10 on page 18.
- C18, C19 changed from 1.0  $\mu$ F to 4.7  $\mu$ F in Figure 12 on page 22.
- Recommended value for Indirect Register 40 changed from 6 to 0 in Table 44 on page 124.
- Added QFN package option.

### Revision 1.42 to Revision 1.43

- Table 16, "Si3210/Si3210M External Component Values—Discrete Solution," on page 25.
  - Added TO-92 transistor suppliers to BOM.
- "7. Ordering Guide" on page 130
  - Updated to include product revision designator.
  - "Lead-Free" changed to "Lead-Free and RoHS-Compliant"
- Figure , " , " on page 17.
  - Added additional decoupling components to VDDA1, VDDA2, and VDDD.
- Figure 12, "Si3211 Typical Application Circuit Using Si3201," on page 22.
  - Added additional decoupling components to VDDA1, VDDA2, and VDDD.
- Figure 13, "Si3210/Si3210M Typical Application Circuit Using Discrete Components," on page 24.
  - Added additional decoupling components to VDDA1, VDDA2, and VDDD.
  - Added optional components to STIPE, SRINGE, and SVBAT pins to improve idle channel noise.
- Figure 14, "Si3211 Typical Application Circuit Using Discrete Solution," on page 26.
  - Added additional decoupling components to VDDA1, VDDA2, and VDDD.
  - Added optional components to STIPE, SRINGE, and SVBAT pins to improve idle channel noise.
- Table 52, "Package Diagram Dimensions," on page 138
  - Changed A1 max dimension from 0.10 to 0.15.

### Revision 1.43 to Revision 1.44

- Updated Figure 9.
  - Moved the schematic for the supply filtering network for  $V_{DDA1}$ ,  $V_{DDA2}$ , and  $V_{DDD}$  from the bottom of the diagram to the top.
  - Moved the symbol for C26 closer to the  $V_{BATH}$  pin on the Si3201 symbol.
  - Changed R26 to 10 k $\Omega$ .
  - Added Note 5.
- Updated Figure 12.

- Moved the schematic for the supply filtering network for  $V_{DDA1}$ ,  $V_{DDA2}$ , and  $V_{DDD}$  from the bottom of the diagram to the top.
- Moved the symbol for C9 closer to the  $V_{BATH}$  pin on the Si3201 symbol.
- Changed R26 to 10 k $\Omega$ .
- Added Note 4.
- Updated Figure 13.
  - Moved the schematic for the supply filtering network for  $V_{DDA1}$ ,  $V_{DDA2}$ , and  $V_{DDD}$  from the bottom of the diagram to the top.
  - Added Note 5 and moved the symbol for C26 to better illustrate its optimal position in a board layout.
  - Changed R26 to 10 k $\Omega$ .
  - Added Note 6.
- Updated Figure 14.
  - Moved the schematic for the supply filtering network for  $V_{DDA1}$ ,  $V_{DDA2}$ , and  $V_{DDD}$  from the bottom of the diagram to the top.
  - Added Note 3 and moved the symbol for C26 to better illustrate its optimal position in a board layout.
  - Added Note 4.
  - Changed R26 to 10 k $\Omega$ .
  - Corrected connection between D1 and the linefeed components.
  - Added Note 5
- Updated Table 3.
  - Corrected longitudinal current per pin for EBTO/EBTA = 10 to 12 mA.
- Updated Table 8.
  - Filled-in typical values for  $I_{VDD}$  and  $I_{BAT}$  for  $V_{DDD}$ ,  $V_{DDA} = 3.3$  V.
- Updated Table 11.
  - Renamed "PCLK Period Jitter Tolerance" to "PCLK-to-FSYNC Jitter Tolerance".
  - Added Note 2.
- Updated Table 12.
  - Changed current rating of L2 to 150 mA.
  - Added new row for R26 and changed the value to 10 k $\Omega$ .
  - Added title for AN45 to description of R28 and R29.
  - Added column for component package type.
  - Added Note 1.
- Updated Table 13.
  - Added column for component package type.
- Updated Table 14.
  - Added column for component package type.
- Updated Table 15.
  - Changed current rating of L2 to 150 mA.
  - Added new row for R26 and changed the value to 10 k $\Omega$ .
  - Rearranged the rows for R8 through R32 to be in numerical order.
  - Added column for component package type.
  - Added Note 1.

- Updated Table 16.
  - Changed current rating of L2 to 150 mA.
  - Corrected missing reference to R5.
  - Added new row for R26 and changed the value to 10 kΩ.
  - Added title for AN45 to description of R28 and R29.
  - Added column for component package type.
  - Added Note 1.
- Updated Table 17.
  - Added new row for R26 and changed the value to 10 kΩ.
  - Added column for component package type.
  - Added Note 1.
- Updated Table 18.
  - Added column for component package type.
- Updated Table 19.
  - Added column for component package type.
- Updated Table 36.
  - Added mnemonic for bit 7 of direct register 1 (PNI2).
  - Changed name of Register 94 to match the name in the description of Register 94.
- Updated Table 47.
  - Removed unsupported evaluation kit part numbers.
- Updated Register 1.
  - Added mnemonic and description of bit 7 (PNI2).
- Updated Register 75.
  - Clarified the description of  $V_{BATL}$  for Si3211.
- Updated "2.1.6. Loop Closure Transition Detection" on page 35.
  - Modified first and second paragraphs to indicate that a loop closure event signals a transition from on-hook to off-hook or from off-hook to on-hook.
- Updated "2.4.2. Sinusoidal Ringing" on page 44.
  - Modified second paragraph to indicate the minimum allowed peak TIP-to-RING ringing voltage depends on the linefeed state; i.e. forward-active or reverse-active.
- Updated "2.9. Clock Generation" on page 52.
  - Modified first paragraph to indicate that 768 kHz and 1.536 MHz are not valid rates for GCI mode.
- Updated "2.12. PCM Interface" on page 56.
  - Modified first paragraph to indicate that 768 kHz and 1.536 MHz are not valid rates for GCI mode.
- Updated "8.1.2. PCB Land Pattern: 38-Pin QFN" on page 134 with more detailed package drawing.
- Updated "8.3.1. Package Outline: 16-Pin ESOIC" on page 138 with more detailed package drawing.

## Revision 1.44 to Revision 1.45

- Added Si3211-E-FT and Si3211-E-GT to Ordering Guide
- Clarified Ordering Guide
  - Replaced "X" with revision letter "E" in all ordering codes requiring a revision letter
  - Removed Note 1 from Ordering Guide

## Revision 1.45 to Revision 1.5

- Front page:
  - Changed images to QFN-38
  - Minor clean-up edits
- Removed erroneous reference to polarity reversal feature on front page
- Updated references to "K" and "B" temperature grades to "F" and "G", respectively, in Electrical Characteristics tables
- Clarified Gain Error specifications in "Table 5. Monitor ADC Characteristics"
- Corrected description of "Register 9. Audio Gain Control", Bit 7 ("RHDF"--> "RHPF")
- Corrected reset setting of "Register 68. Loop Closure/Ring Trip Detect Status"(0000\_0000b-->0000\_0100b)
- Removed obsolete non-RoHS-compliant device variants from the Ordering Guide
- Updated QFN package drawing and dimensions
- Added "8. Package Outlines and PCB Land Patterns"

# Si3210/Si3211

---

- Added “9. Product Identification”
- Added “10. Package Marking (Top Mark)”
- Removed erroneous entry in the previous Document Change List, Revision 1.44 to 1.45, “Added QFN-38 image to front page.”
- Added a note to Table 9 cross-referencing it with section 1.2 ProSLIC Initialization in AN35.
- Updated contact information.

## Revision 1.5 to Revision 1.6

- Updated “Power Supply Current, Analog and Digital” specification in Table 8. (Not released.)

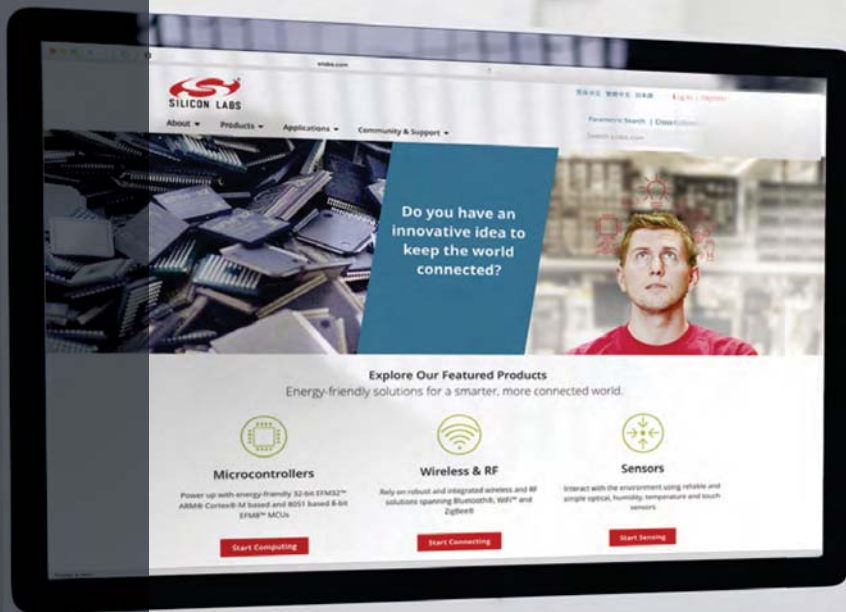
## Revision 1.6 to Revision 1.61

- Updated “Power Supply Current, Analog and Digital” specification in Table 8.

Not recommended for new designs.  
Please note the Si3201 has been discontinued.

**NOTES:**

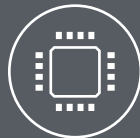
*Not recommended for new designs.  
Please note the Si3201 has been  
discontinued.*



Smart.  
Connected.  
Energy-Friendly



**Products**  
[www.silabs.com/products](http://www.silabs.com/products)



**Quality**  
[www.silabs.com/quality](http://www.silabs.com/quality)



**Support and Community**  
[community.silabs.com](http://community.silabs.com)

#### Disclaimer

Silicon Laboratories intends to provide customers with the latest, accurate, and in-depth documentation of all peripherals and modules available for system and software implementers using or intending to use the Silicon Laboratories products. Characterization data, available modules and peripherals, memory sizes and memory addresses refer to each specific device, and "Typical" parameters provided can and do vary in different applications. Application examples described herein are for illustrative purposes only. Silicon Laboratories reserves the right to make changes without further notice and limitation to product information, specifications, and descriptions herein, and does not give warranties as to the accuracy or completeness of the included information. Silicon Laboratories shall have no liability for the consequences of use of the information supplied herein. This document does not imply or express copyright licenses granted hereunder to design or fabricate any integrated circuits. The products must not be used within any Life Support System without the specific written consent of Silicon Laboratories. A "Life Support System" is any product or system intended to support or sustain life and/or health, which, if it fails, can be reasonably expected to result in significant personal injury or death. Silicon Laboratories products are generally not intended for military applications. Silicon Laboratories products shall under no circumstances be used in weapons of mass destruction including (but not limited to) nuclear, biological or chemical weapons, or missiles capable of delivering such weapons.

#### Trademark Information

Silicon Laboratories Inc., Silicon Laboratories, Silicon Labs, SiLabs and the Silicon Labs logo, CMEMS®, EFM, EFM32, EFR, Energy Micro, Energy Micro logo and combinations thereof, "the world's most energy friendly microcontrollers", Ember®, EZLink®, EZMac®, EZRadio®, EZRadioPRO®, DSPLL®, ISOmodem®, Precision32®, ProSLIC®, SiPHY®, USBXpress® and others are trademarks or registered trademarks of Silicon Laboratories Inc. ARM, CORTEX, Cortex-M3 and THUMB are trademarks or registered trademarks of ARM Holdings. Keil is a registered trademark of ARM Limited. All other products or brand names mentioned herein are trademarks of their respective holders.





**SILICON LABS**

Silicon Laboratories Inc.  
400 West Cesar Chavez  
Austin, TX 78701  
USA

<http://www.silabs.com>

## Looking for pricing, stock, or lifecycle information?

Click below to explore more details on WIN SOURCE:

-  [View SI3210-GT on WIN SOURCE](#)
-  [Skyworks Solutions Inc. Information](#)

## Optimize Your Supply Chain with WIN SOURCE Solutions

-  Global Sourcing Solution
-  Obsolete Management
-  Cost Control Management
-  Shortage Management
-  Alternative Solution
-  Excess Inventory Management