



THE DATASHEET OF ADF0204



REVISIONS					
P	LR	DESCRIPTION	DATE	DMN	APP'D
P1		REVISED PER ECO-11-020691	14OCT11	KH	PO
P2		REVISED PER ECO-16-018654	15MAY2017	RK	PO

3

2

1

SPECIFICATION:

MATERIAL

BASE, PPS, UL94V-0, BLACK
COVER, PPS, UL94V-0, BLACK
ACTUATOR, PA6T, UL94V-0, WHITE
FIXED CONTACT/TERMINAL, CU ALLOY-GOLD FLASH OVER NICKEL
MOVING CONTACT, CU ALLOY, PLATE-GOLD FLASH/NICKEL
TAPE SEAL, POLYIMIDE FILM, AMBER, SEE P/N TABLE FOR OPTIONS.

ELECTRICAL

MAX CONTACT RATING SWITCHING, 100MILLIAMPER @ 24 VDC
MIN CONTACT RATING SWITCHING, .1MICROAMP @ 1 MILLIVOLT
MAX CONTACT NON-SWITCHING, 1AMP @ 5 VDC
INITIAL CONTACT RESISTANCE, 50 MILLIOHMS MAX.
CONTACT RESISTANCE (AFTER ENVIRONMENTAL TEST), 100 MILLIOHMS
CONTACT RESISTANCE (AFTER GAS TEST), 300 MILLIOHMS
INSULATION RESISTANCE, 1,000 MEGOHMS MIN. @ 100 VDC
DIELECTRIC STRENGTH, 500 VAC RMS @ SEA LEVEL
LIFE EXPECTANCY, 1,000 CYCLES

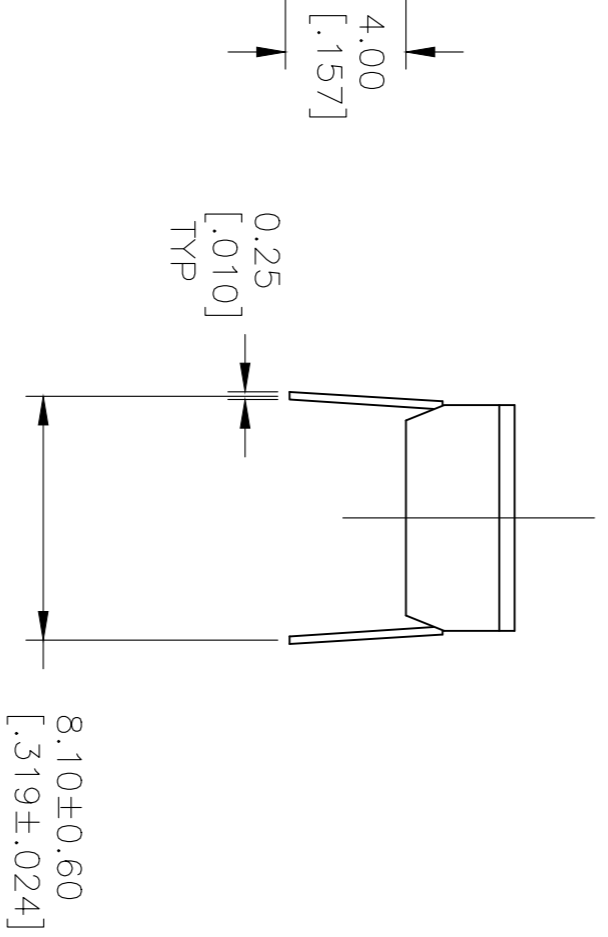
MECHANICAL

OPERATING FORCE, LESS THAN 800 GRAMS
CONTACT PRESSURE, 280,000 PSI

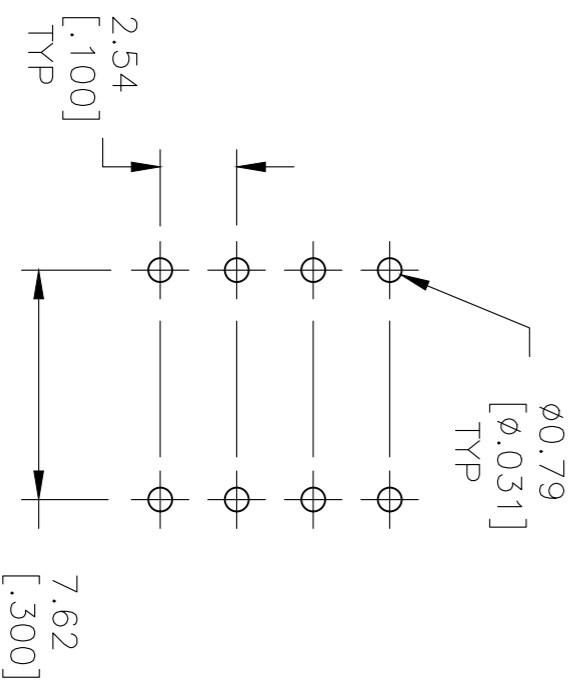
ENVIRONMENTAL

OPERATING TEMPERATURE, -30 TO +85 DEGREES C
STORAGE TEMPERATURE, -45 TO +105 DEGREES C
CLEANING, AQUEOUS OR SOLVENT
SOLDER HEAT RESISTANCE, PER 109-201, COND B, SWITCH "OFF".
SOLDERABILITY PER JIS C 0050 & JIS C 0053

1. SWITCHES TO BE RECEIVED IN THE "OFF" POSITION AND PACKAGED IN CLEAR TUBES TO ACCOMMODATE AUTO-INSERTION.
 2. TOP SURFACE TO BE CLEARLY MARKED AS SHOWN
 3. SWITCHES TO BE BLACK WITH WHITE ACTUATORS AND MARKINGS.
 4. ALL MATERIALS AND FINISHES SHALL COMPLY WITH EU DIRECTIVE 2002 /95/EC OF 27JAN2003 (ROHS)
 5. TOP TAPE SEAL AVAILABLE, SEE P/N TABLE FOR OPTIONS
- ⚠️ OBSOLETE PARTS: OBSOLETE CIS STREAMLINING PER D.RENAUD/D.SINISI



ADF



P.C. LAYOUT
INSERT MOUNT

SEE SHEET 2 FOR PART NUMBER TABLE

THIS DRAWING IS A CONTROLLED DOCUMENT.		DMN	19AUG03	 TE Connectivity	
		CHK	B.S.VISWESWARA		
DIMENSIONS: mm [INCHES]		APP'D	M.SARVER	NAME	DIP SWITCH, ADF THRU HOLE
TOLERANCES UNLESS OTHERWISE SPECIFIED:		PRODUCT SPEC	M.SARVER	APPLICATION SPEC	SIZE
0 PLC	±	1 PLC	±	0.012	A2
1 PLC	±	2 PLC	±	0.012	00779
2 PLC	±	3 PLC	±	0.012	1825002
3 PLC	±	4 PLC	±	0.012	1825002
4 PLC	±	FINISH	±	0.012	1825002
MATERIAL		WEIGHT	CUSTOMER DRAWING		SCALE
-		-	-		1:1
					SHEET
					1 OF 2
					REV
					P2

1825002

B

C

D

A

Looking for pricing, stock, or lifecycle information?

Click below to explore more details on WIN SOURCE:

- [View ADF0204 on WIN SOURCE](#)
- [TE Connectivity Information](#)

Optimize Your Supply Chain with WIN SOURCE Solutions

- ✓ Global Sourcing Solution
- ✓ Obsolete Management
- ✓ Cost Control Management
- ✓ Shortage Management
- ✓ Alternative Solution
- ✓ Excess Inventory Management