

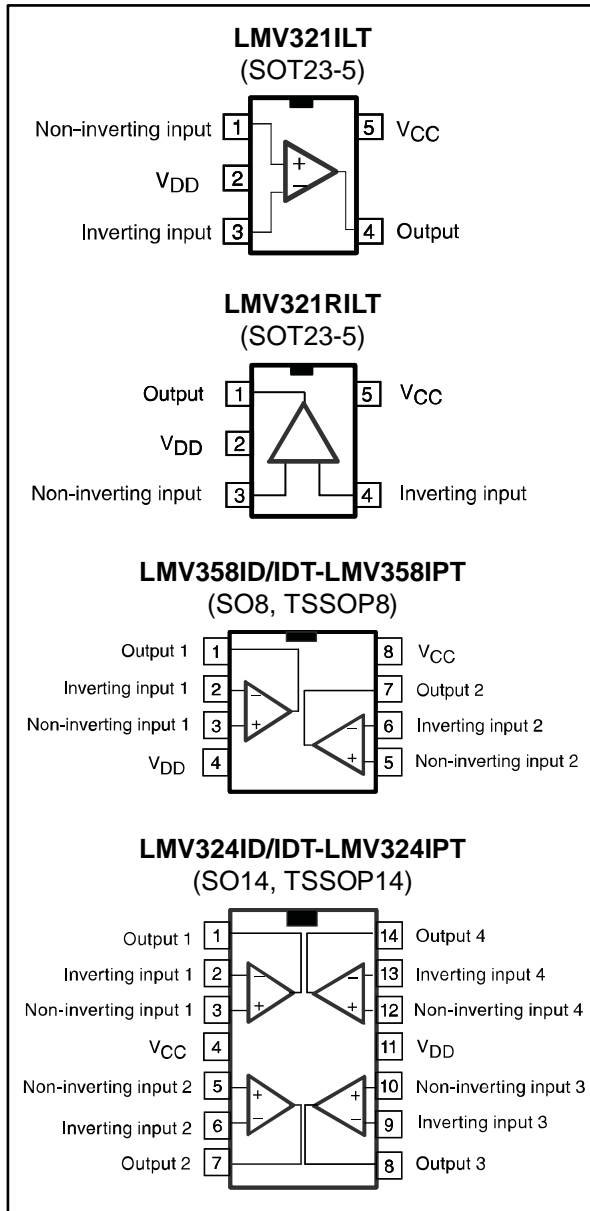


# THE DATASHEET OF LMV358IPT



## Low cost, low power, input/output rail-to-rail operational amplifiers

Datasheet - production data



### Features

- Operating range from  $V_{CC} = 2.7$  to 6 V
- Rail-to-rail input and output
- Extended  $V_{icm}$  ( $V_{DD} - 0.2$  V to  $V_{CC} + 0.2$  V)
- Low supply current (145  $\mu$ A)
- Gain bandwidth product (1 MHz)
- ESD tolerance (2 kV)

### Related products

- See LMV321L, LMV358L, LMV324L for newer technological version
- See TSV851, TSV852, TSV854 for enhanced performances

### Applications

- Battery powered electronic equipment
- Personal medical care (glucose meters)
- Laptops

### Description

The LMV321/358/324 family (single, dual, and quad) answers the need for low cost, general-purpose operational amplifiers. They operate with voltages as low as 2.7 V and feature both input and output rail-to-rail, 145  $\mu$ A consumption current, and 1 MHz gain bandwidth product (GBP).

With such a low consumption and a sufficient GBP for many applications, these op amps are well suited for any kind of battery supplied and portable equipment application.

The LMV321 device is housed in the space-saving 5-pin SOT23-5 package, which simplifies board design. The SOT23-5 has two pinning configurations to answer all application requirements.

## Contents

<b>1</b>	<b>Absolute maximum ratings and operating conditions .....</b>	<b>3</b>
<b>2</b>	<b>Electrical characteristics .....</b>	<b>5</b>
<b>3</b>	<b>Package information .....</b>	<b>9</b>
3.1	SOT23-5 package information .....	10
3.2	SO8 package information.....	11
3.3	TSSOP8 package information.....	12
3.4	SO14 package information.....	13
3.5	TSSOP14 package information.....	14
<b>4</b>	<b>Ordering information.....</b>	<b>15</b>
<b>5</b>	<b>Revision history .....</b>	<b>16</b>

# 1 Absolute maximum ratings and operating conditions

Table 1: Absolute maximum ratings

Symbol	Parameter	Value	Unit	
V <sub>CC</sub>	Supply voltage <sup>(1)</sup>	7	V	
V <sub>id</sub>	Differential input voltage <sup>(2)</sup>	±1		
V <sub>in</sub>	Input voltage	V <sub>DD</sub> - 0.3 to V <sub>CC</sub> + 0.3		
T <sub>oper</sub>	Operating free air temperature range	-40 to 125	°C	
T <sub>stg</sub>	Storage temperature	-65 to 150		
T <sub>j</sub>	Maximum junction temperature	150		
R <sub>thja</sub>	Thermal resistance junction-to-ambient <sup>(3)</sup>	SOT23-5	250	°C/W
		SO8	125	
		TSSOP8	120	
		SO14	103	
		TSSOP14	100	
R <sub>thjc</sub>	Thermal resistance junction-to-case <sup>(3)</sup>	SOT23-5	81	
		SO8	40	
		TSSOP8	37	
		SO14	31	
		TSSOP14	32	
ESD	HBM: human body model <sup>(4)</sup>	2	kV	
	MM: machine model <sup>(5)</sup>	200	V	
	CDM: charged device model <sup>(6)</sup>	1.5	kV	
	Lead temperature (soldering, 10 s)	250	°C	
	Output short-circuit duration	See <sup>(7)</sup>		

**Notes:**

<sup>(1)</sup>All voltage values, except differential voltage are with respect to network terminal.

<sup>(2)</sup>The differential voltage is the non-inverting input terminal with respect to the inverting input terminal. If V<sub>id</sub> > ±1 V, the maximum input current must not exceed ±1 mA. In this case (V<sub>id</sub> > ±1 V), an input series resistor must be added to limit input current.

<sup>(3)</sup>Short-circuits can cause excessive heating. Destructive dissipation can result from simultaneous short-circuits on all amplifiers. All values are typical.

<sup>(4)</sup>Human body model: a 100 pF capacitor is charged to the specified voltage, then discharged through a 1.5 kΩ resistor between two pins of the device. This is done for all couples of connected pin combinations while the other pins are floating.

<sup>(5)</sup>Machine model: a 200 pF capacitor is charged to the specified voltage, then discharged directly between two pins of the device with no external series resistor (internal resistor < 5 Ω). This is done for all couples of connected pin combinations while the other pins are floating.

<sup>(6)</sup>Charged device model: all pins and the package are charged together to the specified voltage and then discharged directly to the ground through only one pin. This is done for all pins. No value specified for CDM on SOT23-5 package. The value is given for SO8 and TSSOP packages.

<sup>(7)</sup>Short-circuits from the output to V<sub>CC</sub> can cause excessive heating. The maximum output current is approximately 48 mA, independent of the magnitude of V<sub>CC</sub>. Destructive dissipation can result from simultaneous short-circuits on all amplifiers.

Table 2: Operating conditions

Symbol	Parameter	Value	Unit
$V_{CC}$	Supply voltage	2.7 to 6	V
$V_{icm}$	Common mode input voltage range <sup>(1)</sup>	$V_{DD} - 0.2$ to $V_{CC} + 0.2$	
$V_{icm}$	Common mode input voltage range <sup>(2)</sup>	$V_{DD}$ to $V_{CC}$	
$T_{oper}$	Operating free air temperature range	-40 to 125	°C

**Notes:**

<sup>(1)</sup>At 25 °C, for  $2.7 \leq V_{CC} \leq 6$  V,  $V_{icm}$  is extended to  $V_{DD} - 0.2$  V,  $V_{CC} + 0.2$  V.

<sup>(2)</sup>In full temperature range, both rails can be reached when  $V_{CC}$  does not exceed 5.5 V.

## 2 Electrical characteristics

Table 3: Electrical characteristics at  $V_{CC} = 2.7\text{ V}$ ,  $V_{DD} = 0\text{ V}$ , CL and RL connected to  $V_{CC}/2$ ,  $T_{amb} = 25\text{ °C}$  (unless otherwise specified)

Symbol	Parameter	Conditions	Min.	Typ.	Max.	Unit
$V_{io}$	Input offset voltage	$V_{icm} = V_{out} = V_{CC}/2$		0.1	3	mV
		$T_{min} \leq T_{amb} \leq T_{max}$			6	
$\Delta V_{io}/\Delta T$	Input offset voltage drift			2		$\mu\text{V}/\text{°C}$
$I_{io}$	Input offset current	$V_{icm} = V_{out} = V_{CC}/2$ <sup>(1)</sup>		1	9	nA
		$T_{min} \leq T_{amb} \leq T_{max}$			25	
$I_{ib}$	Input bias current	$V_{icm} = V_{out} = V_{CC}/2$ <sup>(1)</sup>		10	50	nA
		$T_{min} \leq T_{amb} \leq T_{max}$			85	
CMR	Common mode rejection ratio	$0 \leq V_{icm} \leq V_{CC}$	55	85		dB
SVR	Supply voltage rejection ratio	$V_{icm} = V_{CC}/2$	70	80		
$A_{vd}$	Large signal voltage gain	$V_{out} = 0.5\text{ V to } 2.2\text{ V}$ , $R_L = 10\text{ k}\Omega$	80	100		
		$V_{out} = 0.5\text{ V to } 2.2\text{ V}$ , $R_L = 2\text{ k}\Omega$	70	88		
$V_{OH}$	High level output voltage	$V_{id} = 100\text{ mV}$ , $T_{min} \leq T_{amb} \leq T_{max}$ , $R_L = 10\text{ k}\Omega$	2.6	2.65		V
		$V_{id} = 100\text{ mV}$ , $T_{min} \leq T_{amb} \leq T_{max}$ , $R_L = 2\text{ k}\Omega$	2.55	2.6		
$V_{OL}$	Low level output voltage	$V_{id} = -100\text{ mV}$ , $T_{min} \leq T_{amb} \leq T_{max}$ , $R_L = 10\text{ k}\Omega$		15	90	mV
		$V_{id} = -100\text{ mV}$ , $T_{min} \leq T_{amb} \leq T_{max}$ , $R_L = 2\text{ k}\Omega$		50	100	
$I_o$	Output current	Output source current, $V_{id} = 100\text{ mV}$ , $V_O = V_{DD}$	5	46		mA
		Output sink current, $V_{id} = -100\text{ mV}$ , $V_O = V_{CC}$	5	46		
$I_{CC}$	Supply current (per amplifier)	$V_{out} = V_{CC}/2$ , $A_{VCL} = 1$ , no load		145	200	$\mu\text{A}$
		$T_{min} \leq T_{amb} \leq T_{max}$			230	
GBP	Gain bandwidth product	$R_L = 10\text{ k}\Omega$ , $C_L = 100\text{ pF}$ , $f = 100\text{ kHz}$		1		MHz
SR	Slew rate	$R_L = 600\ \Omega$ , $C_L = 100\text{ pF}$ , $A_V = 1$		0.35		$\text{V}/\mu\text{s}$
$\phi_m$	Phase margin	$R_L = 600\ \Omega$ , $C_L = 100\text{ pF}$		44		Degrees
en	Input voltage noise			40		$\text{nV}/\sqrt{\text{Hz}}$
THD	Total harmonic distortion			0.01		%

### Notes:

<sup>(1)</sup>Maximum values include unavoidable inaccuracies of the industrial tests.

Table 4: Electrical characteristics at  $V_{CC} = 5\text{ V}$ ,  $V_{DD} = 0\text{ V}$ ,  $C_L$  and  $R_L$  connected to  $V_{CC}/2$ ,  $T_{amb} = 25\text{ }^\circ\text{C}$  (unless otherwise specified)

Symbol	Parameter	Conditions	Min.	Typ.	Max.	Unit
$V_{io}$	Input offset voltage	$V_{icm} = V_{out} = V_{CC}/2$		0.1	3	mV
		$T_{min} \leq T_{amb} \leq T_{max}$			6	
$\Delta V_{io}/\Delta T$	Input offset voltage drift			2		$\mu\text{V}/^\circ\text{C}$
$I_{io}$	Input offset current	$V_{icm} = V_{out} = V_{CC}/2$ <sup>(1)</sup>		1	9	nA
		$T_{min} \leq T_{amb} \leq T_{max}$			25	
$I_{ib}$	Input bias current	$V_{icm} = V_{out} = V_{CC}/2$ <sup>(1)</sup>		16	63	
		$T_{min} \leq T_{amb} \leq T_{max}$				
CMR	Common mode rejection ratio	$0 \leq V_{icm} \leq V_{CC}$	65	95		dB
SVR	Supply voltage rejection ratio	$V_{icm} = V_{CC}/2$	70	90		
$A_{vd}$	Large signal voltage gain	$V_{out} = 0.5\text{ V to }4.5\text{ V}$ , $R_L = 10\text{ k}\Omega$	85	97		
		$V_{out} = 0.5\text{ V to }4.5\text{ V}$ , $R_L = 2\text{ k}\Omega$	77	93		
$V_{OH}$	High level output voltage	$V_{id} = 100\text{ mV}$ , $T_{min} \leq T_{amb} \leq T_{max}$ , $R_L = 10\text{ k}\Omega$	4.85	4.95		V
		$V_{id} = 100\text{ mV}$ , $T_{min} \leq T_{amb} \leq T_{max}$ , $R_L = 2\text{ k}\Omega$	4.8	4.91		
$V_{OL}$	Low level output voltage	$V_{id} = -100\text{ mV}$ , $T_{min} \leq T_{amb} \leq T_{max}$ , $R_L = 10\text{ k}\Omega$		40	180	mV
		$V_{id} = -100\text{ mV}$ , $T_{min} \leq T_{amb} \leq T_{max}$ , $R_L = 2\text{ k}\Omega$		80	200	
$I_o$	Output current	Output source current, $V_{id} = 100\text{ mV}$ , $V_O = V_{DD}$	7	48		mA
		Output sink current, $V_{id} = -100\text{ mV}$ , $V_O = V_{CC}$	7	48		
$I_{CC}$	Supply current (per amplifier)	$V_{out} = V_{CC}/2$ , $A_{VCL} = 1$ , no load		162	220	$\mu\text{A}$
		$T_{min} \leq T_{amb} \leq T_{max}$			250	
GBP	Gain bandwidth product	$R_L = 10\text{ k}\Omega$ , $C_L = 100\text{ pF}$ , $f = 100\text{ kHz}$		1.3		MHz
SR	Slew rate	$R_L = 600\ \Omega$ , $C_L = 100\text{ pF}$ , $A_V = 1$		0.45		$\text{V}/\mu\text{s}$
$\phi_m$	Phase margin	$R_L = 600\ \Omega$ , $C_L = 100\text{ pF}$		48		Degrees
en	Input voltage noise			40		$\text{nV}/\sqrt{\text{Hz}}$
THD	Total harmonic distortion			0.01		%

**Notes:**

<sup>(1)</sup>Maximum values include unavoidable inaccuracies of the industrial tests.

Figure 1: Supply current/amplifier vs. supply voltage

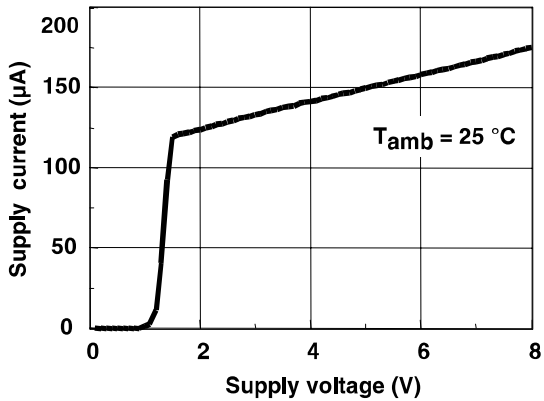


Figure 2: Input bias current vs. temperature (VCC = 3 V, Vicm = 1.5 V)

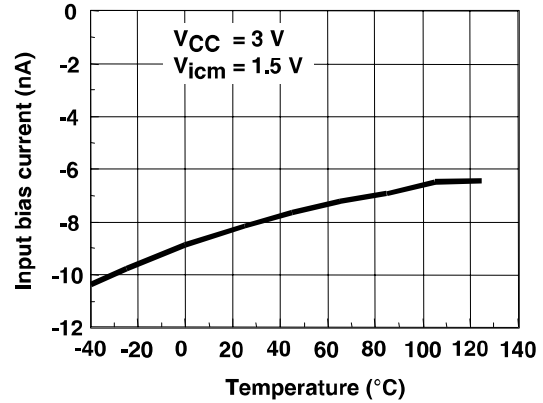


Figure 3: Input bias current vs. temperature (VCC = 5 V, Vicm = 2.5 V)

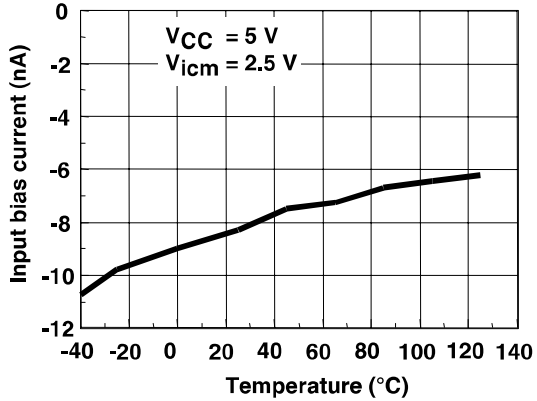


Figure 4: Common mode rejection vs. temperature (VCC = 3 V)

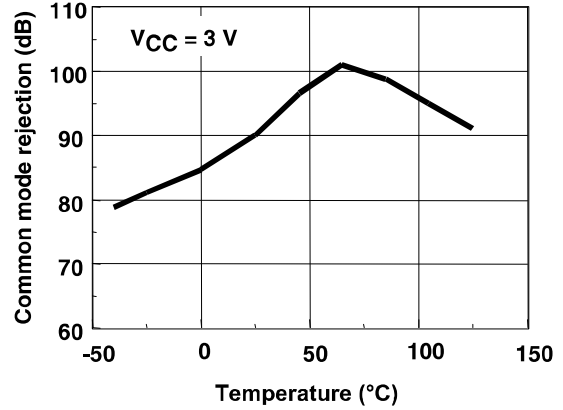


Figure 5: Common mode rejection vs. temperature (VCC = 5 V)

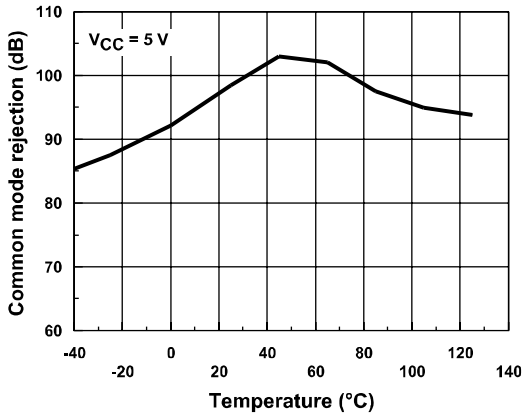
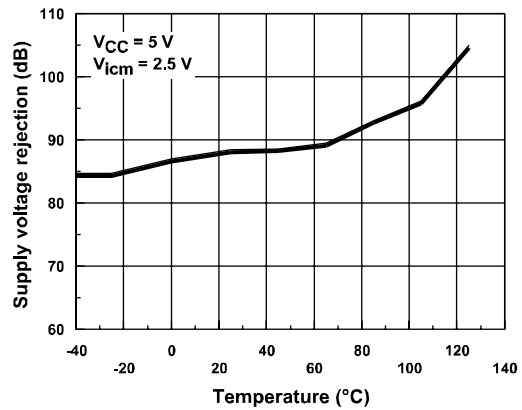
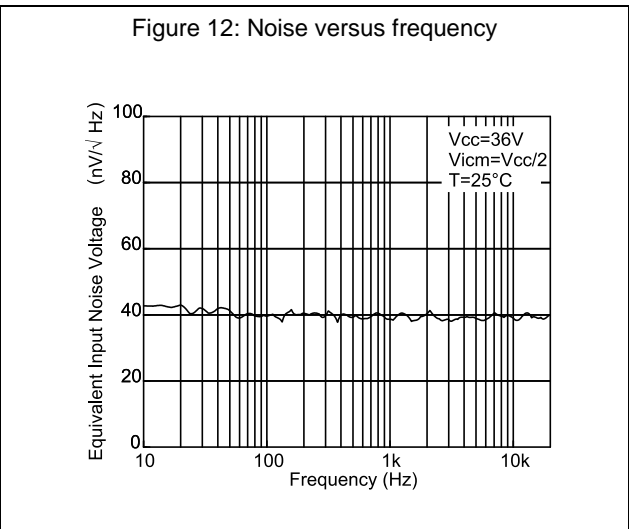
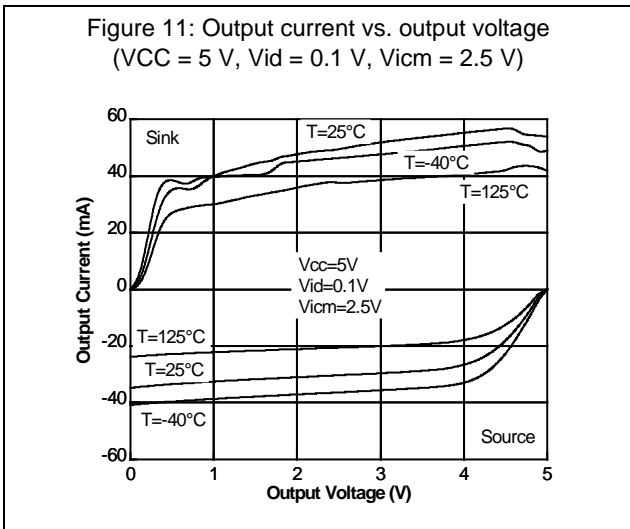
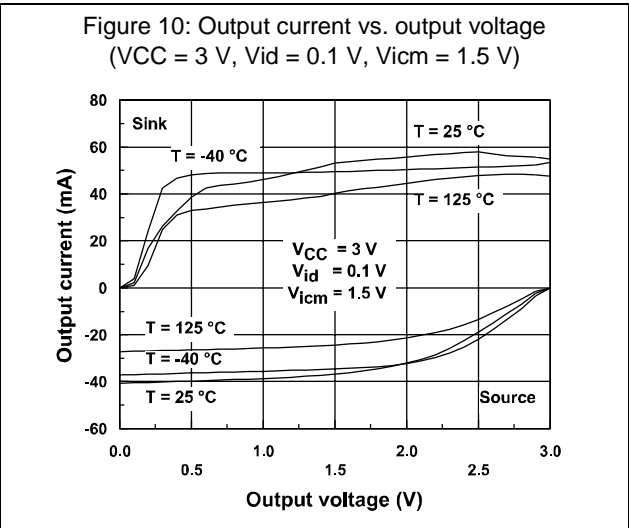
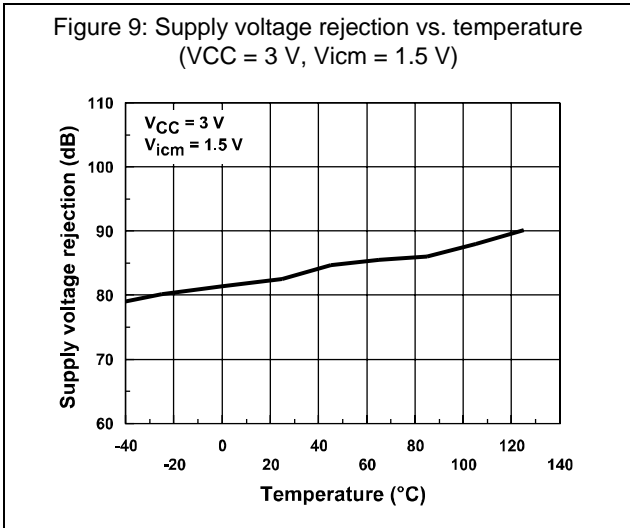
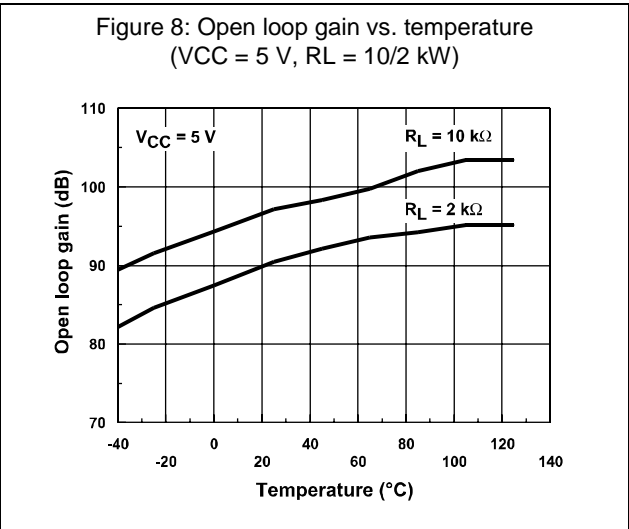
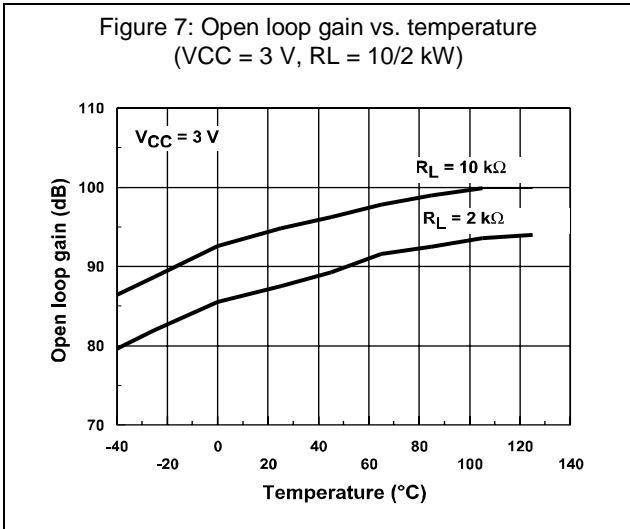


Figure 6: Supply voltage rejection vs. temperature (VCC = 5 V, Vicm = 2.5 V)



Electrical characteristics

LMV321, LMV358, LMV324



### 3 Package information

In order to meet environmental requirements, ST offers these devices in different grades of ECOPACK<sup>®</sup> packages, depending on their level of environmental compliance. ECOPACK<sup>®</sup> specifications, grade definitions and product status are available at: [www.st.com](http://www.st.com). ECOPACK<sup>®</sup> is an ST trademark.

### 3.1 SOT23-5 package information

Figure 13: SOT23-5 package outline

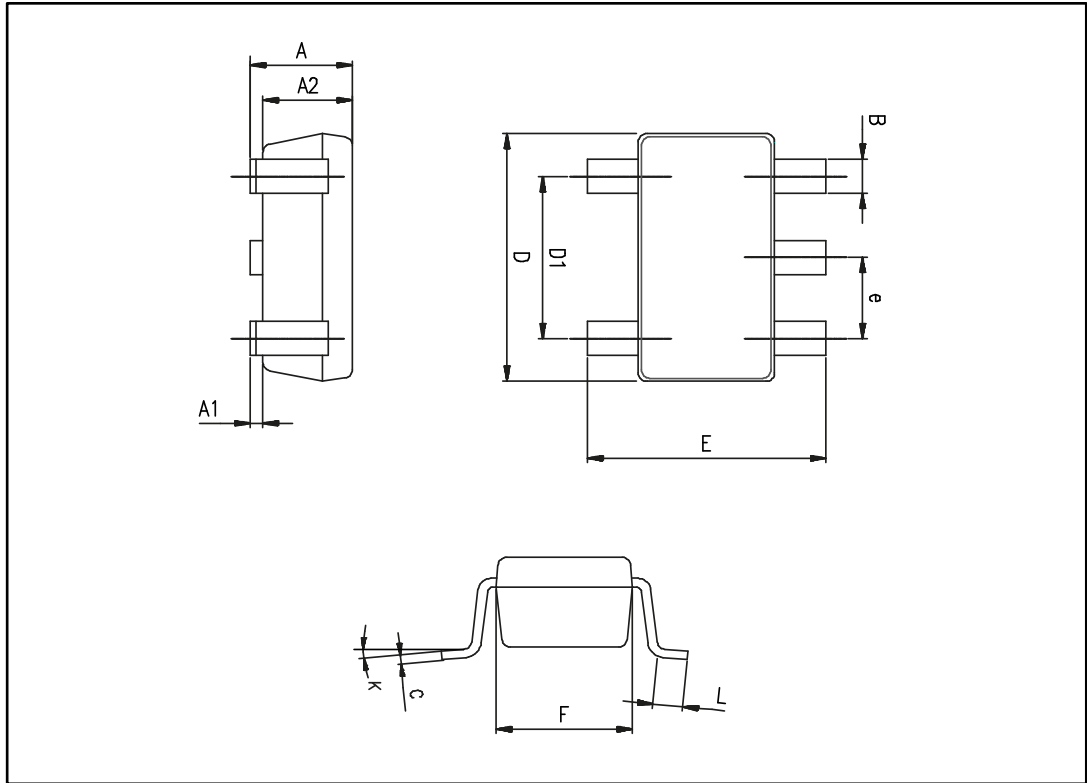


Table 5: SOT23-5 mechanical data

Ref.	Dimensions					
	Millimeters			Inches		
	Min.	Typ.	Max.	Min.	Typ.	Max.
A	0.90	1.20	1.45	0.035	0.047	0.057
A1			0.15			0.006
A2	0.90	1.05	1.30	0.035	0.041	0.051
B	0.35	0.40	0.50	0.014	0.016	0.020
C	0.09	0.15	0.20	0.004	0.006	0.008
D	2.80	2.90	3.00	0.110	0.114	0.118
D1		1.90			0.075	
e		0.95			0.037	
E	2.60	2.80	3.00	0.102	0.110	0.118
F	1.50	1.60	1.75	0.059	0.063	0.069
L	0.10	0.35	0.60	0.004	0.014	0.024
K	0 degrees		10 degrees	0 degrees		10 degrees

### 3.2 SO8 package information

Figure 14: SO8 package outline

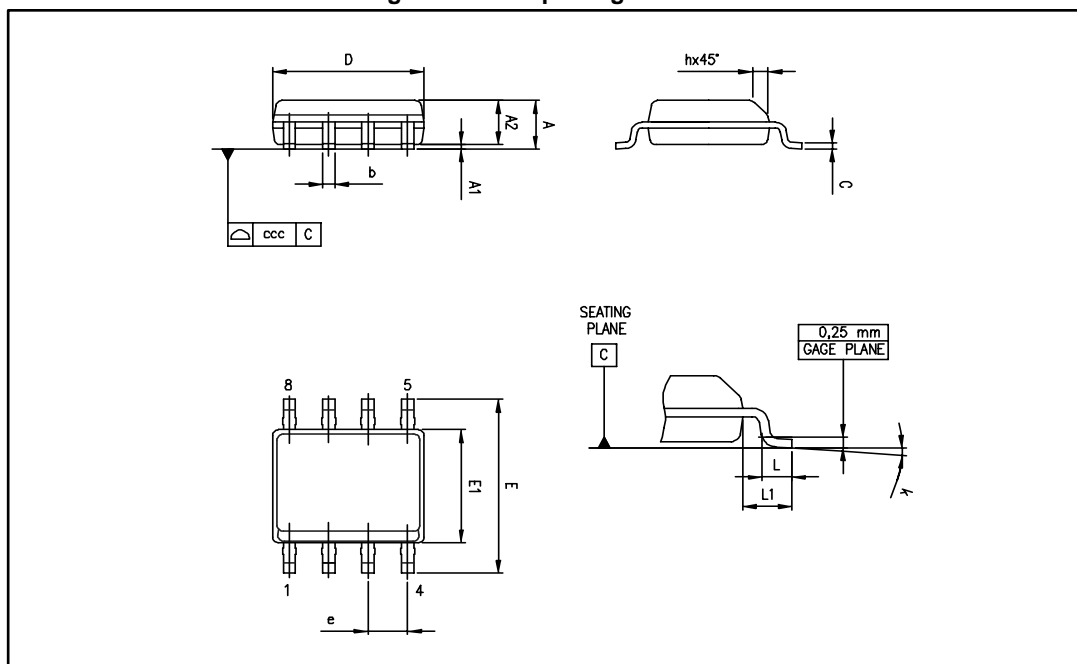


Table 6: SO8 mechanical data

Ref.	Dimensions					
	Millimeters			Inches		
	Min.	Typ.	Max.	Min.	Typ.	Max.
A			1.75			0.069
A1	0.10		0.25	0.004		0.010
A2	1.25			0.049		
b	0.28		0.48	0.011		0.019
c	0.17		0.23	0.007		0.010
D	4.80	4.90	5.00	0.189	0.193	0.197
E	5.80	6.00	6.20	0.228	0.236	0.244
E1	3.80	3.90	4.00	0.150	0.154	0.157
e		1.27			0.050	
h	0.25		0.50	0.010		0.020
L	0.40		1.27	0.016		0.050
L1		1.04			0.040	
k	1°		8°	1°		8°
ccc			0.10			0.004

### 3.3 TSSOP8 package information

Figure 15: TSSOP8 package outline

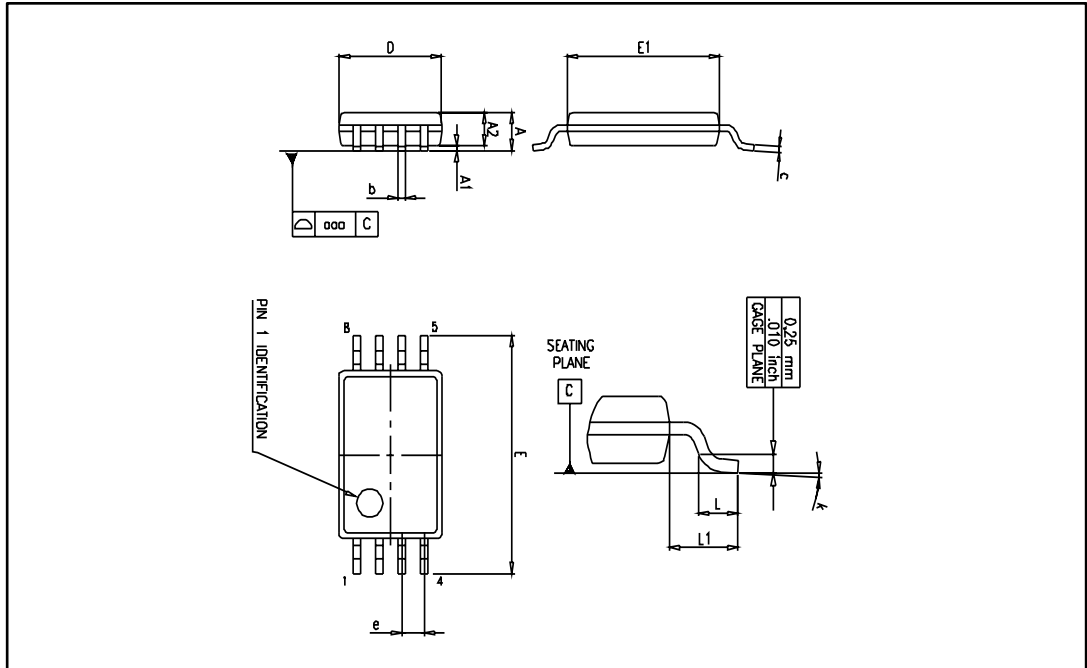


Table 7: TSSOP8 mechanical data

Ref.	Dimensions					
	Millimeters			Inches		
	Min.	Typ.	Max.	Min.	Typ.	Max.
A			1.2			0.047
A1	0.05		0.15	0.002		0.006
A2	0.80	1.00	1.05	0.031	0.039	0.041
b	0.19		0.30	0.007		0.012
c	0.09		0.20	0.004		0.008
D	2.90	3.00	3.10	0.114	0.118	0.122
E	6.20	6.40	6.60	0.244	0.252	0.260
E1	4.30	4.40	4.50	0.169	0.173	0.177
e		0.65			0.0256	
k	0°		8°	0°		8°
L	0.45	0.60	0.75	0.018	0.024	0.030
L1		1			0.039	
aaa		0.1			0.004	

### 3.4 SO14 package information

Figure 16: SO14 package outline

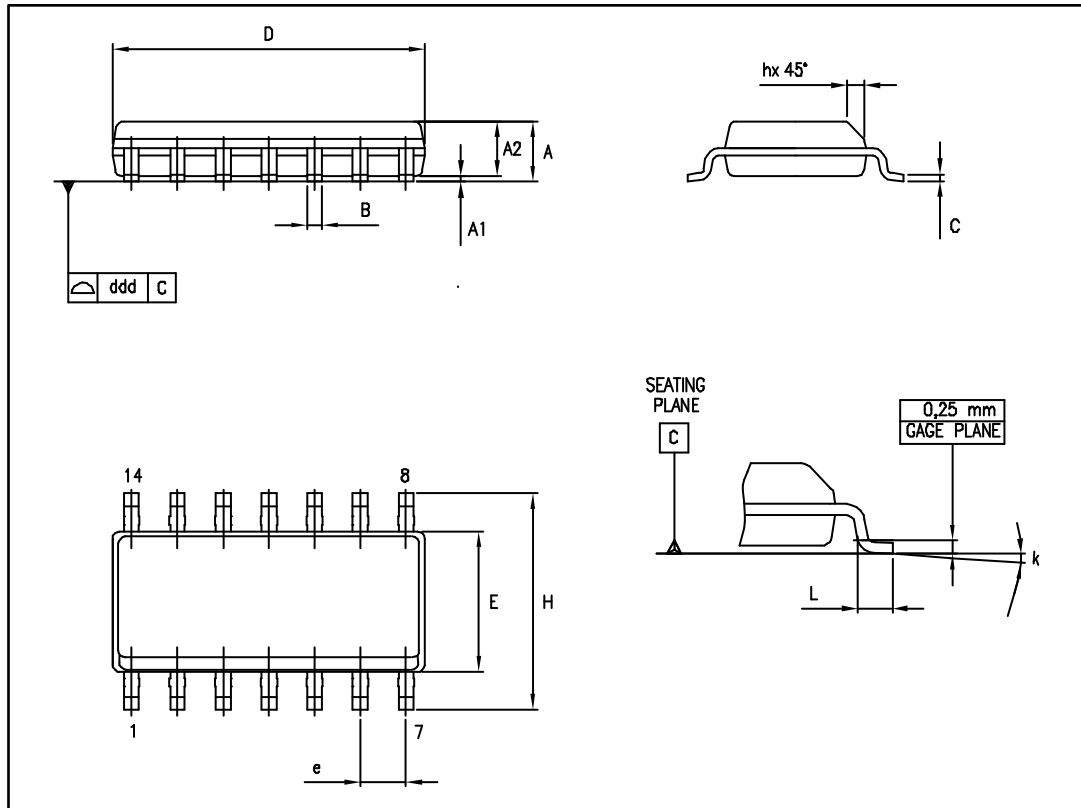


Table 8: SO14 mechanical data

Ref.	Dimensions					
	Millimeters			Inches		
	Min.	Typ.	Max.	Min.	Typ.	Max.
A	1.35		1.75	0.05		0.068
A1	0.10		0.25	0.004		0.009
A2	1.10		1.65	0.04		0.06
B	0.33		0.51	0.01		0.02
C	0.19		0.25	0.007		0.009
D	8.55		8.75	0.33		0.34
E	3.80		4.0	0.15		0.15
e		1.27			0.05	
H	5.80		6.20	0.22		0.24
h	0.25		0.50	0.009		0.02
L	0.40		1.27	0.015		0.05
k	8° (max)					
ddd			0.10			0.004

### 3.5 TSSOP14 package information

Figure 17: TSSOP14 package outline

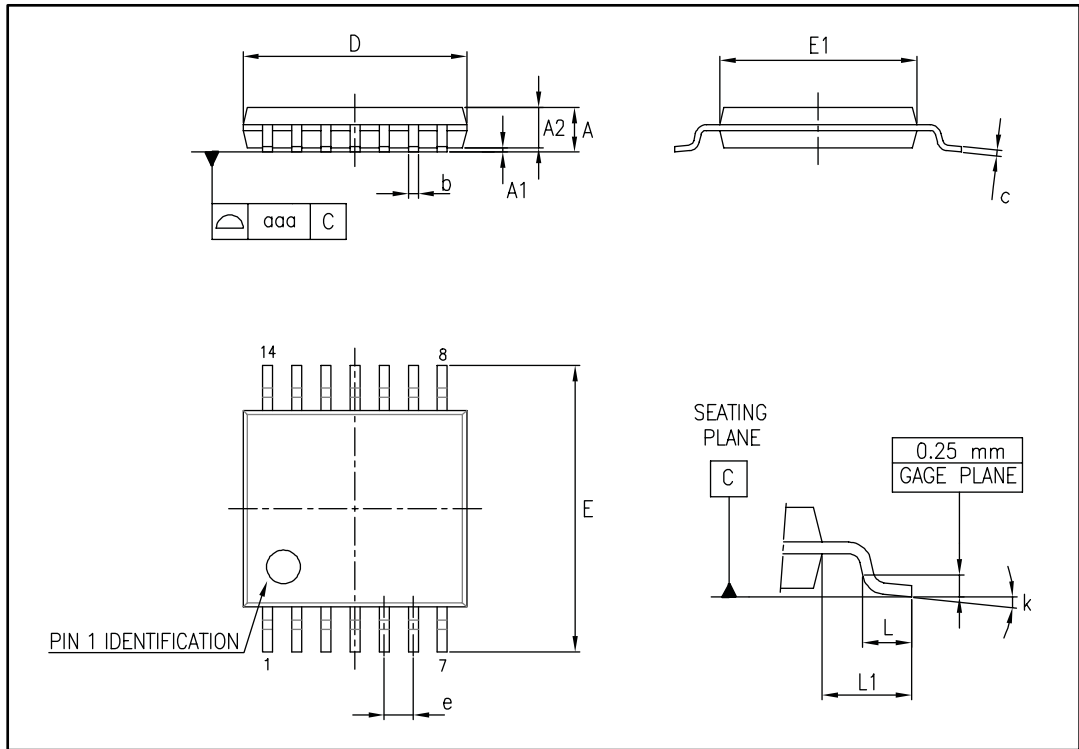


Table 9: TSSOP14 mechanical data

Ref.	Dimensions					
	Millimeters			Inches		
	Min.	Typ.	Max.	Min.	Typ.	Max.
A			1.20			0.047
A1	0.05		0.15	0.002	0.004	0.006
A2	0.80	1.00	1.05	0.031	0.039	0.041
b	0.19		0.30	0.007		0.012
c	0.09		0.20	0.004		0.0089
D	4.90	5.00	5.10	0.193	0.197	0.201
E	6.20	6.40	6.60	0.244	0.252	0.260
E1	4.30	4.40	4.50	0.169	0.173	0.176
e		0.65			0.0256	
L	0.45	0.60	0.75	0.018	0.024	0.030
L1		1.00			0.039	
k	0°		8°	0°		8°
aaa			0.10			0.004

## 4 Ordering information

Table 10: Order codes

Order code	Temperature range	Package	Packaging	Marking
LMV321ILT	-40 °C to 125 °C	SOT23-5	Tape and reel	K177
LMV321RILT				K176
LMV321IYLT <sup>(1)</sup>		SOT23-5 (automotive grade)		K180
LMV321RIYLT <sup>(1)</sup>				K185
LMV358IDT		SO8	Tube or tape and reel	LMV358
LMV358IYDT <sup>(1)</sup>		SO8 (automotive grade)		LMV358IY
LMV358IPT		TSSOP8	Tape and reel	MV358
LMV358IYPT <sup>(1)</sup>		TSSOP8 (automotive grade)		K181Y
LMV324IDT		SO14	Tube or tape and reel	LMV324
LMV324IYDT <sup>(1)</sup>		SO14 (automotive grade)		V324Y
LMV324IPT		TSSOP14	Tape and reel	MV324
LMV324IYPT <sup>(1)</sup>		TSSOP14 (automotive grade)		V324IY

**Notes:**

<sup>(1)</sup> Qualified and characterized according to AEC Q100 and Q003 or equivalent, advanced screening according to AEC Q001 and Q 002 or equivalent.

## 5 Revision history

**Table 11: Document revision history**

Date	Revision	Changes
1-Dec-2005	1	First release - Products in full production.
25-May-2007	2	Added automotive grade part numbers to order codes table. Moved order codes table to Section 4: "Ordering information".
20-Feb-2008	3	Added Figure 12: "Noise versus frequency". Updated presentation of package information. Corrected footnote for automotive grade part numbers in order codes table.
18-Jan-2010	4	Updated document format. Updated packages in Section 3: "Package information". Modified Note 1 and added Note 2 under Table 10: "Order codes".
05-Nov-2012	5	Updated Features (added SO8, TSSOP8, SO14, and TSSOP14 package). Updated titles of Figure 2 to Figure 11 (added conditions). Updated LMV321RIYLT order code in Table 10: "Order codes" (status qualified), removed LMV358IYD and LMV324IYD order codes from Table 10: "Order codes". Minor corrections throughout document.
16-Aug-2013	6	Updated Features Added Related products Table 3 and Table 4: replaced $\Delta V_{io}$ with $\Delta V_{io}/\Delta T$ Table 6: updated minimum inches "k" value (0 instead of 1) Table 10: "Order codes": updated footnote associated with order code LMV358IYPT
05-Jun-2015	7	Updated Figure 11 TSSOP package information: updated "aaa" value Table 10: "Order codes": removed obsolete order codes LMV358ID and LMV324ID.
15-Oct-2015	8	Replaced <i>Figure 12: "Noise versus frequency"</i>

**IMPORTANT NOTICE – PLEASE READ CAREFULLY**

STMicroelectronics NV and its subsidiaries ("ST") reserve the right to make changes, corrections, enhancements, modifications, and improvements to ST products and/or to this document at any time without notice. Purchasers should obtain the latest relevant information on ST products before placing orders. ST products are sold pursuant to ST's terms and conditions of sale in place at the time of order acknowledgement.

Purchasers are solely responsible for the choice, selection, and use of ST products and ST assumes no liability for application assistance or the design of Purchasers' products.

No license, express or implied, to any intellectual property right is granted by ST herein.

Resale of ST products with provisions different from the information set forth herein shall void any warranty granted by ST for such product.



ST and the ST logo are trademarks of ST. All other product or service names are the property of their respective owners.

Information in this document supersedes and replaces information previously supplied in any prior versions of this document.

© 2015 STMicroelectronics – All rights reserved

## Looking for pricing, stock, or lifecycle information?

Click below to explore more details on WIN SOURCE:

-  [View LMV358IPT](#) on WIN SOURCE
-  [STMicroelectronics](#) Information

## Optimize Your Supply Chain with WIN SOURCE Solutions

-  Global Sourcing Solution
-  Obsolete Management
-  Cost Control Management
-  Shortage Management
-  Alternative Solution
-  Excess Inventory Management