



# THE DATASHEET OF AS1500-T





**austriamicrosystems AG**

**is now**

**ams AG**

The technical content of this austriamicrosystems datasheet is still valid.

**Contact information:**

**Headquarters:**

ams AG

Tobelbaderstrasse 30

8141 Unterpremstaetten, Austria

Tel: +43 (0) 3136 500 0

e-Mail: [ams\\_sales@ams.com](mailto:ams_sales@ams.com)

Please visit our website at [www.ams.com](http://www.ams.com)

# AS1500/AS1501/AS1502/AS1503

## Digital Potentiometer

Data Sheet

### 1 General Description

The AS1500 is a digital potentiometer with 256 programmable steps. The values of the resistor can be controlled via 3 wire serial interface capable to handle programming rates up to 10MHz.

The AS1500 is available in four different resistor values. The AS1500 incorporates a 10kΩ, the AS1501 a 20kΩ, the AS1502 a 50kΩ and the AS1503 a 100kΩ fixed resistor. The wiper contact taps the fixed resistor at points determined by the 8-bit digital code word. The resistance between the wiper and the endpoint of the resistor is linear. The switching action is performed in a way that no glitches occur.

The AS150x is available in an 8-pin SOIC package. All parts are guaranteed to operate over the extended industrial temperature range of -40° to +125°.

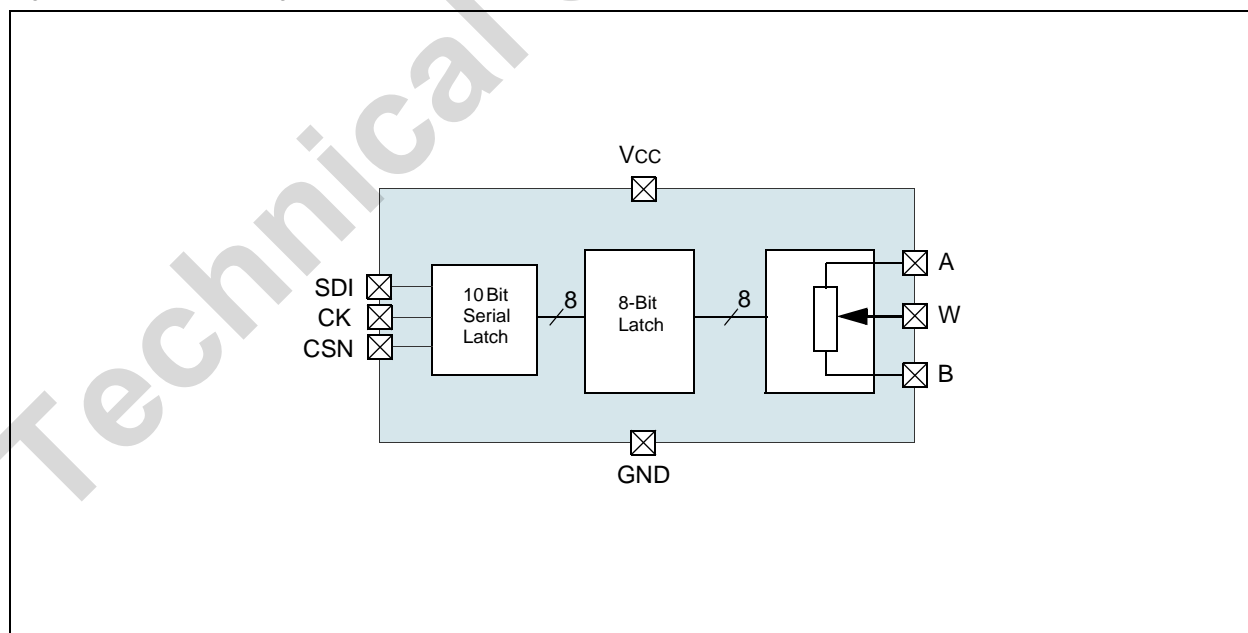
### 2 Key Features

- 256 - Taps
- Available in four Resistance values
  - AS1500 resistance 10kΩ
  - AS1501 resistance 20kΩ
  - AS1502 resistance 50kΩ
  - AS1503 resistance 100kΩ
- Standby current - Less than 1 μA
- 3-Wire Serial Data Interface
- 10 MHz Update Data Loading Rate
- 2.7 V to 5.5 V Single-Supply Operation
- Temperature Range -40° to +125°
- 8-pin SOIC Package

### 3 Applications

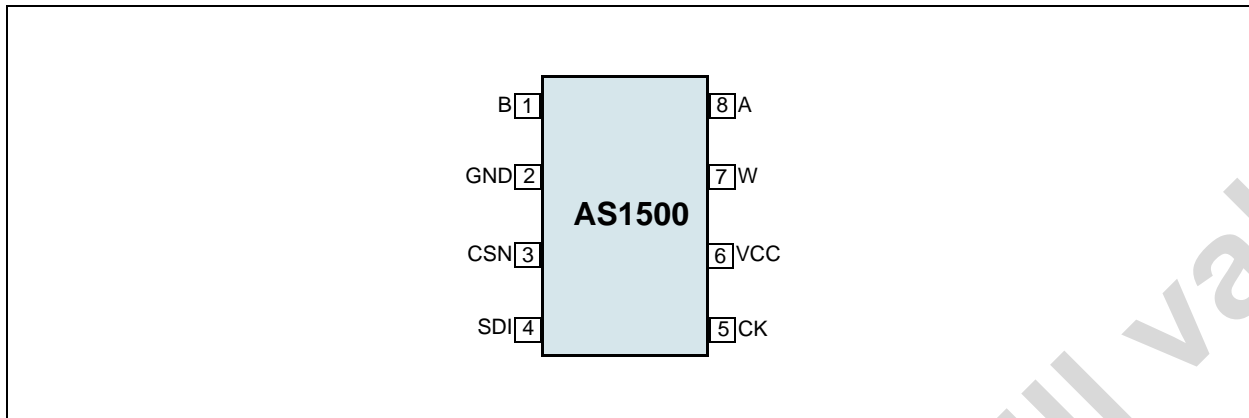
The AS1500 is ideal for volume controls in TV sets and audio systems, and applications that require line impedance matching, programmable filters or power supply adjustment. The AS1500 can also be designed in as a replacement for mechanical potentiometers.

Figure 1. Application Diagram



## 4 Pin Assignments

Figure 2. Pin Assignments (Top View)



### Pin Descriptions

Table 1. Pin Description

Pin Name	Pin Number	Description
B	1	<b>Terminal B RDAC</b>
GND	2	<b>Ground</b>
CSN	3	<b>Chip Select Input</b> , Active Low. When CSN returns high, data in the serial input register is loaded into the DAC register.
SDI	4	<b>Serial Data Input</b>
CK	5	<b>Serial Clock Input</b> , Positive Edge Triggered.
VCC	6	<b>Positive power supply</b> , specified for operation at both 3V and 5V.
W	7	<b>Wiper RDAC</b>
A	8	<b>Terminal A RDAC</b>

## 5 Absolute Maximum Ratings

(TA = 25° C, unless otherwise noted)

Table 2. Absolute Maximum Ratings

Parameter	Min	Max	Units	Notes
Vcc to GND	-0.3	+7	V	
VA, VB, VW to GND	0	Vcc	V	
AX – BX, AX – WX, BX – WX	±20		mA	
Digital Input and Output Voltage to GND	0	+7	V	
Operating Temperature Range	-40	+125	°C	
Maximum Junction Temperature (TJ max)		+150	°C	
Storage Temperature	-65	+150	°C	
Package body temperature		+260	°C	The reflow peak soldering temperature (body temperature) specified is in accordance with IPC/JEDEC J-STD-020C "Moisture/Reflow Sensitivity Classification for Non-Hermetic Solid State Surface Mount Devices". The lead finish for Pb-free leaded packages is matte tin (100% Sn).
Package Power Dissipation				(TJ max - TA) / θJA
ESD		1	kV	HBM MIL-Std883E 3015.7methods.

## 6 Electrical Characteristics

### AS1500 / AS1501 – SPECIFICATIONS

$V_{CC} = 3V \pm 10\%$  or  $5V \pm 10\%$ ,  $V_A = V_{CC}$ ,  $V_B = 0V$ ,  $-40^\circ\text{C} \leq T_A \leq +125^\circ\text{C}$  unless otherwise noted.

Table 3. Electrical Characteristics – 10k and 20k Versions

Symbol	Parameter	Conditions	Min	Typ <sup>1</sup>	Max	Units
<b>DC Characteristics Rheostat Mode</b>						
$R_{AB}$	Nominal Resistance <sup>2</sup>	$T_A = 25^\circ\text{C}$ , $V_{CC} = 5V$ , AS1500, Version: 50k $\Omega$	8	10	12	k $\Omega$
		$T_A = 25^\circ\text{C}$ , $V_{CC} = 5V$ , AS1501, Version: 100k $\Omega$	16	20	24	k $\Omega$
$\Delta R_{AB}/\Delta T$	Resistance Tempco <sup>3</sup>	$V_{AB} = V_{CC}$ , Wiper = No Connect		500		ppm/ $^\circ\text{C}$
$R_W$	Wiper Resistance	$V_{CC} = 5V$	20	100	200	$\Omega$
R-DNL	Resistor Differential NL <sup>4</sup>	$R_{WB}$ , $V_{CC} = 5V$ , $V_A = \text{No Connect}$	-1	$\pm 1/4$	+1	LSB
R-INL	Resistor Integral NL	$R_{WB}$ , $V_{CC} = 5V$ , $V_A = \text{No Connect}$	-2	$\pm 1/2$	+2	LSB
<b>DC Characteristics Potentiometer Divider</b>						
N	Resolution			8		Bits
INL	Integral Nonlinearity	$V_{CC} = 5.5V$ $T_A = 25^\circ\text{C}$	-2	$\pm 1/2$	+2	LSB
		$V_{CC} = 2.7V$ $T_A = 25^\circ\text{C}$	-2	$\pm 1/2$	+2	LSB
DNL	Differential Nonlinearity	$V_{CC} = 5.5V$ $T_A = 25^\circ\text{C}$	-1	$\pm 1/4$	+1	LSB
		$V_{CC} = 2.7V$ $T_A = 25^\circ\text{C}$	-1	$\pm 1/4$	+1	LSB
$\Delta V_W / \Delta T$	Voltage Divider Tempco	Code = 80 <sub>H</sub>		15		ppm/ $^\circ\text{C}$
$V_{WFSE}$	Full-Scale Error	Code = FF <sub>H</sub> , $V_{CC} = 5.5V$	-4	-2.8	0	LSB
$V_{WFSE}$	Zero-Scale Error	Code = 00 <sub>H</sub> , $V_{CC} = 5.5V$	0	1.3	2	LSB
<b>Resistor Terminals</b>						
$V_{A, B, W}$	Voltage Range <sup>5</sup>		0		$V_{CC}$	V
$C_{A, B}$	Capacitance <sup>6</sup> Ax, Bx	$f = 1\text{MHz}$ , Measured to GND, Code = 80 <sub>H</sub>		75		pF
$C_W$	Capacitance Wx	$f = 1\text{MHz}$ , Measured to GND, Code = 80 <sub>H</sub>		120		pF
<b>Digital Inputs and Outputs</b>						
$V_{IH}$	Input Logic High	$V_{CC} = 5V$	2.4			V
$V_{IL}$	Input Logic Low	$V_{CC} = 5V$			0.8	V
$V_{IH}$	Input Logic High	$V_{CC} = 3V$	2.1			V
$V_{IL}$	Input Logic Low	$V_{CC} = 3V$			0.6	V
$I_{IH}, I_{IL}$	Input Current	$V_{IN} = 5V$ or $0V$ , $V_{CC} = 5V$			$\pm 1$	$\mu\text{A}$
$C_{IL}$	Input Capacitance			5		pF
<b>Power Supplies</b>						
$V_{CC}$	Power Supply Range		2.7		5.5	V
$I_{DD}$	Supply Current (CMOS)	$V_{IH} = V_{CC}$ or $V_{IL} = 0V$ , $V_{CC} = 5.5V$		0.1	1	$\mu\text{A}$
$I_{DD}$	Supply Current (TTL) <sup>7</sup>	$V_{IH} = 2.4V$ or $0.8V$ , $V_{CC} = 5.5V$		0.9	4	mA

Table 3. Electrical Characteristics – 10k and 20k Versions

Symbol	Parameter	Conditions	Min	Typ <sup>1</sup>	Max	Units	
P <sub>DISS</sub>	Power Dissipation (CMOS) <sup>8</sup>	V <sub>IH</sub> = V <sub>CC</sub> or V <sub>IL</sub> = 0V, V <sub>CC</sub> = 5.5V			27.5	μW	
PSSR	Power Supply Suppression Ratio	V <sub>CC</sub> = 5V+0.5V <sub>P</sub> sine wave @ 1kHz			-54	-25	dB
		AS1500, Version: 10kΩ			-52	-25	dB
		AS1501, Version: 20kΩ					
<b>Dynamic Characteristics<sup>9</sup></b>							
BW_10k	Bandwidth -3dB	R <sub>WB</sub> = 10kΩ, V <sub>CC</sub> = 5V		1000		kHz	
BW_20k	Bandwidth -3dB	R <sub>WB</sub> = 20kΩ, V <sub>CC</sub> = 5V		500		kHz	
THD <sub>W</sub>	Total Harmonic Distortion	V <sub>A</sub> = 1V <sub>RMS</sub> + 2V <sub>DC</sub> , V <sub>B</sub> = 2V <sub>DC</sub> , f = 1kHz		0.003		%	
t <sub>S_10k</sub>	VW Settling Time	R <sub>WB</sub> = 5kΩ, V <sub>A</sub> = V <sub>CC</sub> , V <sub>B</sub> = 0V, ±1% Error Band		2		μs	
t <sub>S_20k</sub>		R <sub>WB</sub> = 10kΩ, V <sub>A</sub> = V <sub>CC</sub> , V <sub>B</sub> = 0V, ±1% Error Band		4		μs	
e <sub>NWB_10k</sub>	Resistor Noise Voltage	R <sub>WB</sub> = 5kΩ, f = 1kHz		9		nV/√Hz	
e <sub>NWB_20k</sub>		R <sub>WB</sub> = 10kΩ, f = 1kHz		13		nV/√Hz	

- Typicals represent average readings at 25°C and V<sub>CC</sub> = 5V.
- Wiper is not connected. I<sub>AB</sub> = 350μA for the 10kΩ version and 175μA for the 20kΩ version.
- All Tempcos are guaranteed by design and not subject to production test.
- Terminal A is not connected. I<sub>W</sub> = 350μA for the 10kΩ version and 175μA for the 20kΩ version.
- Resistor terminals A, B, W have no limitations on polarity with respect to each other.
- All capacitances are guaranteed by design and not subject to production test. Resistor-terminal capacitance tests are measured with 2.5V bias on the measured terminal. The remaining resistor terminals are left open circuit.
- Worst-case supply current consumed when input logic level at 2.4V, standard characteristic of CMOS logic.
- P<sub>DISS</sub> is calculated from (I<sub>DD</sub> × V<sub>CC</sub>). CMOS logic level inputs result in minimum power dissipation.
- All dynamic characteristics are guaranteed by design and not subject to production test. All dynamic characteristics use V<sub>CC</sub>=5V.

## AS1502 / AS1503 – SPECIFICATIONS

V<sub>CC</sub> = 3V±10% or 5V±10%, V<sub>A</sub> = V<sub>CC</sub>, V<sub>B</sub> = 0V, -40°C ≤ T<sub>A</sub> ≤ +125°C unless otherwise noted.

Table 4. Electrical Characteristics – 50k and 100k Versions

Symbol	Parameter	Conditions	Min	Typ <sup>1</sup>	Max	Units
<b>DC Characteristics Rheostat Mode</b>						
R <sub>AB</sub>	Nominal Resistance <sup>2</sup>	T <sub>A</sub> = 25°C, V <sub>CC</sub> = 5V, AS1502, Version: 50kΩ	40	50	60	kΩ
		T <sub>A</sub> = 25°C, V <sub>CC</sub> = 5V, AS1503, Version: 100kΩ	80	100	120	kΩ
ΔR <sub>AB</sub> /ΔT	Resistance Tempco <sup>3</sup>	V <sub>AB</sub> = V <sub>CC</sub> , Wiper = No Connect		500		ppm/°C
R <sub>W</sub>	Wiper Resistance	V <sub>CC</sub> = 5V	20	100	200	Ω
R-DNL	Resistor Differential NL <sup>4</sup>	R <sub>WB</sub> , V <sub>CC</sub> = 5V, V <sub>A</sub> = No Connect	-1	±1/4	+1	LSB
R-INL	Resistor Integral NL	R <sub>WB</sub> , V <sub>CC</sub> = 5V, V <sub>A</sub> = No Connect	-2	±1/2	+2	LSB

Table 4. Electrical Characteristics – 50k and 100k Versions

Symbol	Parameter	Conditions	Min	Typ <sup>1</sup>	Max	Units
<b>DC Characteristics Potentiometer Divider</b>						
N	Resolution			8		Bits
INL	Integral Nonlinearity	V <sub>CC</sub> = 5.5V T <sub>A</sub> = 25°C	-4	±1	+4	LSB
		V <sub>CC</sub> = 2.7V T <sub>A</sub> = 25°C	-4	±1	+4	LSB
DNL	Differential Nonlinearity	V <sub>CC</sub> = 5.5V T <sub>A</sub> = 25°C	-1	±1/4	+1	LSB
		V <sub>CC</sub> = 2.7V T <sub>A</sub> = 25°C	-1	±1/4	+1	LSB
ΔV <sub>W</sub> / ΔT	Voltage Divider Tempco	Code = 80 <sub>H</sub>		15		ppm/°C
V <sub>WFSE</sub>	Full-Scale Error	Code = FF <sub>H</sub> , V <sub>CC</sub> = 5.5V	-1	-0.25	0	LSB
V <sub>WFSE</sub>	Zero-Scale Error	Code = 00 <sub>H</sub> , V <sub>CC</sub> = 5.5V	0	0.1	1	LSB
<b>Resistor Terminals</b>						
V <sub>A, B, W</sub>	Voltage Range <sup>5</sup>		0		V <sub>CC</sub>	V
C <sub>A, B</sub>	Capacitance <sup>6</sup> Ax, Bx	f = 1MHz, Measured to GND, Code = 80 <sub>H</sub>		15		pF
C <sub>W</sub>	Capacitance Wx	f = 1MHz, Measured to GND, Code = 80 <sub>H</sub>		80		pF
<b>Digital Inputs and Outputs</b>						
V <sub>IH</sub>	Input Logic High	V <sub>CC</sub> = 5V	2.4			V
V <sub>IL</sub>	Input Logic Low	V <sub>CC</sub> = 5V			0.8	V
V <sub>IH</sub>	Input Logic High	V <sub>CC</sub> = 3V	2.1			V
V <sub>IL</sub>	Input Logic Low	V <sub>CC</sub> = 3V			0.6	V
I <sub>IH</sub> , I <sub>IL</sub>	Input Current	V <sub>IN</sub> = 5V or 0V, V <sub>CC</sub> = 5V			±1	μA
C <sub>IL</sub>	Input Capacitance			5		pF
<b>Power Supplies</b>						
V <sub>CC</sub>	Power Supply Range		2.7		5.5	V
I <sub>DD</sub>	Supply Current (CMOS)	V <sub>IH</sub> = V <sub>CC</sub> or V <sub>IL</sub> = 0V, V <sub>CC</sub> = 5.5V		0.1	1	μA
I <sub>DD</sub>	Supply Current (TTL) <sup>7</sup>	V <sub>IH</sub> = 2.4V or 0.8V, V <sub>CC</sub> = 5.5V		0.9	4	mA
P <sub>DISS</sub>	Power Dissipation (CMOS) <sup>8</sup>	V <sub>IH</sub> = V <sub>CC</sub> or V <sub>IL</sub> = 0V, V <sub>CC</sub> = 5.5V			27.5	μW
PSSR	Power Supply Suppression Ratio	V <sub>CC</sub> = 5V+0.5V <sub>p</sub> sine wave @ 1kHz	AS1502, Version: 50kΩ		-43	dB
			AS1503, Version: 100kΩ		-52	dB
<b>Dynamic Characteristics<sup>9</sup></b>						
BW_50k	Bandwidth -3dB	R <sub>WB</sub> = 50kΩ, V <sub>CC</sub> = 5V		220		kHz
BW_100k	Bandwidth -3dB	R <sub>WB</sub> = 100kΩ, V <sub>CC</sub> = 5V		110		kHz
THD <sub>w</sub>	Total Harmonic Distortion	V <sub>A</sub> = 1V <sub>RMS</sub> + 2V <sub>DC</sub> , V <sub>B</sub> = 2V <sub>DC</sub> , f = 1kHz		0.003		%

Table 4. Electrical Characteristics – 50k and 100k Versions

Symbol	Parameter	Conditions	Min	Typ <sup>1</sup>	Max	Units
t <sub>S_50k</sub>	VW Settling Time	R <sub>WB</sub> = 50kΩ, V <sub>A</sub> = V <sub>CC</sub> , V <sub>B</sub> = 0V, ±1% Error Band		9		μs
t <sub>S_100k</sub>		R <sub>WB</sub> = 100kΩ, V <sub>A</sub> = V <sub>CC</sub> , V <sub>B</sub> = 0V, ±1% Error Band		18		μs
e <sub>NWB_50k</sub>	Resistor Noise Voltage	R <sub>WB</sub> = 50kΩ, f = 1kHz		20		nV/√Hz
e <sub>NWB_100k</sub>		R <sub>WB</sub> = 100kΩ, f = 1kHz		29		nV/√Hz

- Typicals represent average readings at 25°C and V<sub>CC</sub> = 5V.
- Wiper is not connected. I<sub>AB</sub> = 70μA for the 50kΩ version and 35μA for the 100kΩ version.
- All Tempcos are guaranteed by design and not subject to production test.
- Terminal A is not connected. I<sub>W</sub> = 70μA for the 50kΩ version and 35μA for the 100kΩ version.
- Resistor terminals A, B, W have no limitations on polarity with respect to each other.
- All capacitances are guaranteed by design and not subject to production test. Resistor-terminal capacitance tests are measured with 2.5V bias on the measured terminal. The remaining resistor terminals are left open circuit.
- Worst-case supply current consumed when input logic level at 2.4V, standard characteristic of CMOS logic.
- P<sub>DISS</sub> is calculated from (I<sub>DD</sub> × V<sub>CC</sub>). CMOS logic level inputs result in minimum power dissipation.
- All dynamic characteristics are guaranteed by design and not subject to production test. All dynamic characteristics use V<sub>CC</sub> = 5V.

## AS150x – SPECIFICATIONS

V<sub>CC</sub> = 3V ± 10% or 5V ± 10%, V<sub>A</sub> = V<sub>CC</sub>, V<sub>B</sub> = 0V, -40°C ≤ T<sub>A</sub> ≤ +125°C unless otherwise noted.

Table 5. Switching Characteristics

Symbol	Parameter	Conditions	Min	Typ <sup>1</sup>	Max	Unit
<b>Switching Characteristics</b> <sup>2 3</sup>						
t <sub>CH</sub> , t <sub>CL</sub>	Input Clock Pulsewidth	Clock Level High or Low	50			ns
t <sub>DS</sub>	Data Setup Time		5			ns
t <sub>DH</sub>	Data Hold Time		5			ns
t <sub>CSS</sub>	CSN Setup Time		10			ns
t <sub>CSWH</sub>	CSN High Pulsewidth		10			ns
t <sub>CSWL</sub>	CSN Low Pulsewidth				100	ms
t <sub>CSH</sub>	CK Fall to CSN Rise Hold Time		0			ns
t <sub>CS1</sub>	CSN Rise to Clock Rise Setup		10			ns

- Typicals represent average readings at 25°C and V<sub>CC</sub> = 5V.
- Guaranteed by design and not subject to production test. Resistor-terminal capacitance tests are measured with 2.5V bias on the measured terminal. The remaining resistor terminals are left open circuit.
- See timing diagram for location of measured values. All input control voltages are specified with t<sub>R</sub> = t<sub>F</sub> = 1ns (10% to 90% of V<sub>CC</sub>) and timed from a voltage level of 1.6V. Switching characteristics are measured using V<sub>CC</sub> = 3V or 5V. To avoid false clocking, a minimum input logic slew rate of 1V/μs should be maintained.

## 7 Detailed Description

### Serial-Programming

Programming of the AS150x is done via the 3 wire serial interface. The three input signals are serial data input (SDI), clock(CK) and chip select (CSN). A programming sequence consists of 10-bit, where the last eight bit contain the code word for the resistor value. The first two bits A1 and A0 have to be low to program the resistor value (see Table 6). Otherwise the resistor value is not affected. The data is shifted into the internal 10 Bit register with the rising edge of the CK signal. With the rising edge of the CSN signal the data become valid and the resistance is updated (see Figure 3). A detailed block diagram is shown in Figure 4.

Table 6. Serial data format (10 bits)

A1	A0	D7	D6	D5	D4	D3	D2	D1	D0	
0	0	MSB				Data				LSB

Figure 3. Timing Diagram

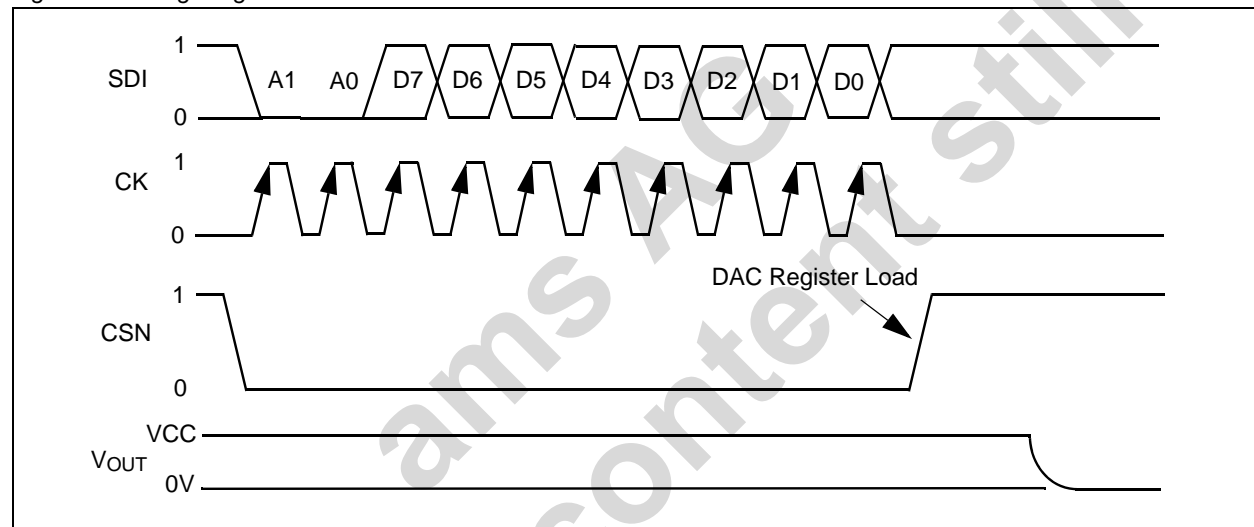
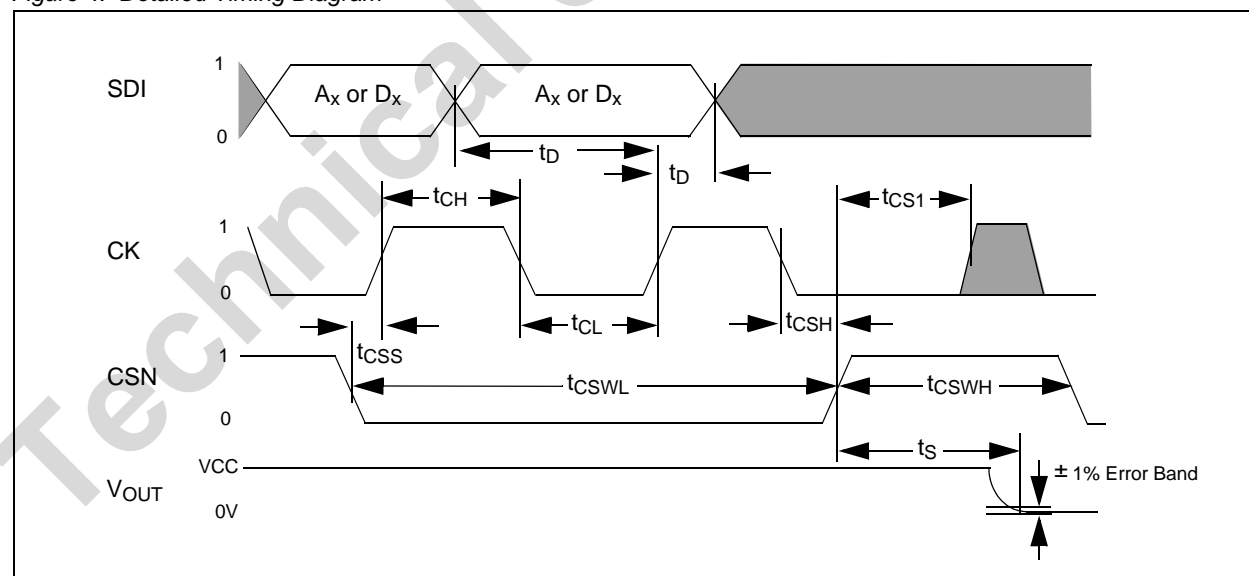


Figure 4. Detailed Timing Diagram



## Rheostat Operation

The digital potentiometer family AS150x offers nominal resistor values of 10kΩ, 20kΩ, 50kΩ and 100kΩ. The resistor has 256 contact points where the wiper can access the resistor. The 8-bit code word determines the position of the wiper and is decoded through an internal logic. The lowest code 00h is related to the terminal B. The resistance is then only determined by the wiper resistance (100Ω). The resistance for the next code 01h is the nominal resistor R<sub>AB</sub> (10kΩ, 20kΩ, 50kΩ or 100kΩ) divided through 256 plus the wiper resistor. In case of AS1501 (10kΩ) the total resistance is 39Ω+100Ω=139Ω. Accordingly the resistor for code 02h is 78Ω+100Ω=178Ω. The last code 255h does not connect to terminal A directly (see Figure 5). So the maximum value is 10000Ω - 39Ω +100Ω = 10061Ω. The general formula for the calculation of the resistance R<sub>WB</sub> is:

$$R_{WB} (Dx) = (Dx)/256 \cdot R_{AB} + R_W \quad (EQ 1)$$

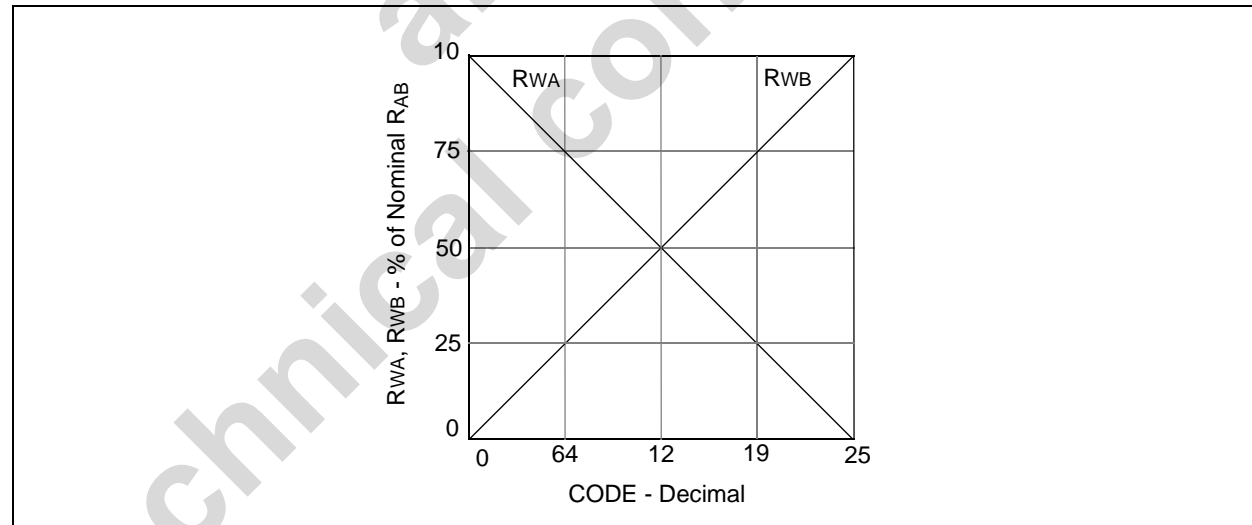
where R<sub>AB</sub> is the nominal resistance between terminal A and B, R<sub>W</sub> is the wiper resistance and D<sub>X</sub> is the 8-Bit Code word. In Table 7 the resistor values between the wiper and terminal B for AS1500 are given for specific codes D<sub>X</sub>. In the zero-scale condition the wiper resistance of 100Ω remains present.

Table 7. RDAC-Codes WB

D <sub>X</sub> (Dec)	R <sub>WB</sub> (Ω)	Output State
255	10061	Full Scale
128	5100	Midscale
1	139	1 LSB
0	100	Zero-Scale (Wiper Contact Resistance)

The maximum current through the wiper and terminal B is 5mA. If the current exceeds this limit the internal switches can degrade or even be damaged. As a mechanical potentiometer the resistances R<sub>WA</sub> and R<sub>WB</sub> are totally symmetrical. The relation between them is shown in Figure 5.

Figure 5. R<sub>WA</sub> and R<sub>WB</sub> versa code



The resistance  $R_{WA}$  is the complimentary resistor to  $R_{WB}$  and can be controlled digitally as well.  $R_{WA}$  starts at the maximum value of the nominal resistance and is reduced with increasing 8-Bit code words. The formula to calculate  $R_{WA}$  is given below:

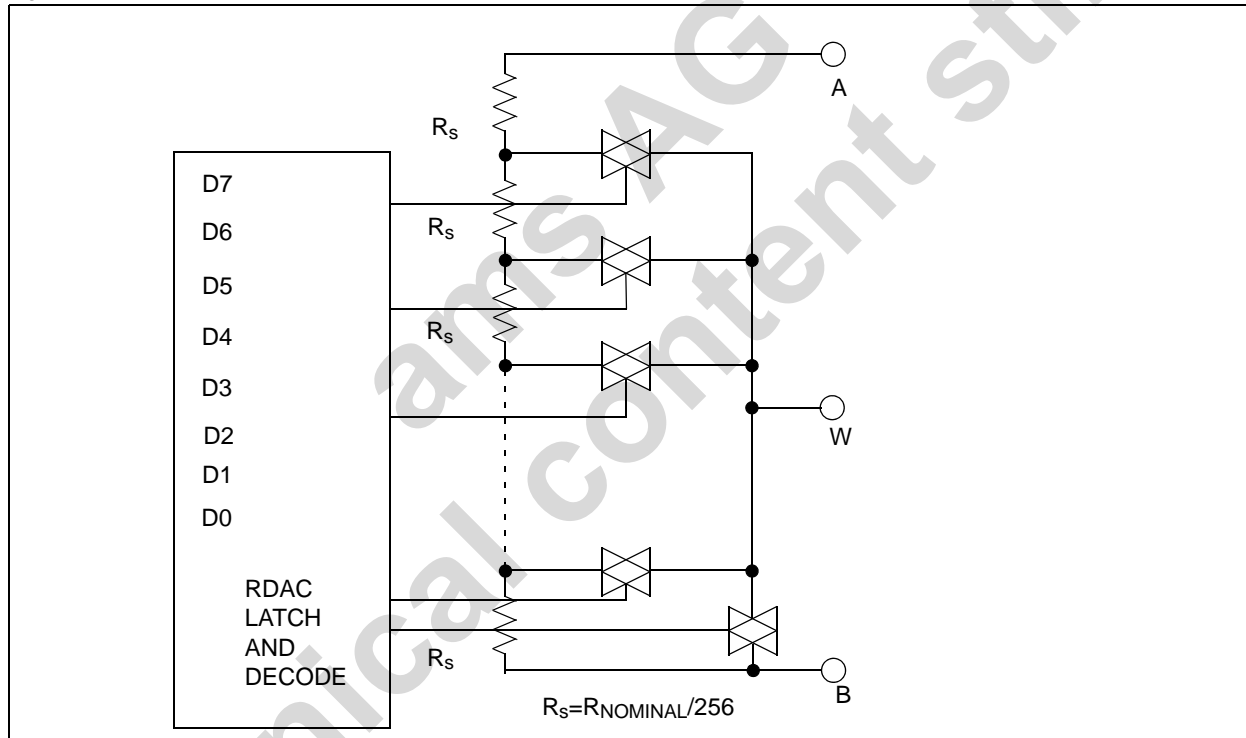
$$R_{WA}(Dx) = (256 - Dx)/256 \cdot R_{AB} + R_W \quad (EQ 2)$$

where  $R_{AB}$  is the nominal resistance between terminal A and B,  $R_W$  is the wiper resistance and  $Dx$  is the 8-Bit Code word. In Table 8 the resistor values between the wiper and terminal B for AS1500 are given for specific codes  $Dx$ .

Table 8. RDAC-Codes WA

$Dx$ (Dec)	$R_{WA}$ ( $\Omega$ )	Output State
255	89	Full Scale
128	5050	Midscale
1	10011	1 LSB
0	10050	Zero-Scale

Figure 6. Equivalent RDAC Circuit



### Voltage Output Operation

The AS150x family can easily be used in a voltage output mode, where the output voltage is proportional to an applied voltage to a given terminal. When 5V are applied to terminal A and B is set to ground the output voltage at the wiper starts at zero volts up to 1LSB less than 5V. One LSB of voltage corresponds to the voltage applied at terminal AB divided through 256 steps of possible wiper settings. The formula is given by

$$V_W(Dx) = (Dx)/256 \cdot V_{AB} + V_B \quad (EQ 3)$$

where  $V_{AB}$  is the voltage applied between terminal A and B,  $V_W$  is the voltage at the wiper,  $Dx$  is the 8-Bit Code word and  $V_B$  is the voltage at terminal B. The temperature drift is significantly better than in Rheostat mode, since the temperature coefficient is determined by the internal resistor ratio. Therefore the temperature drift is only 15ppm/°C.

## Applications

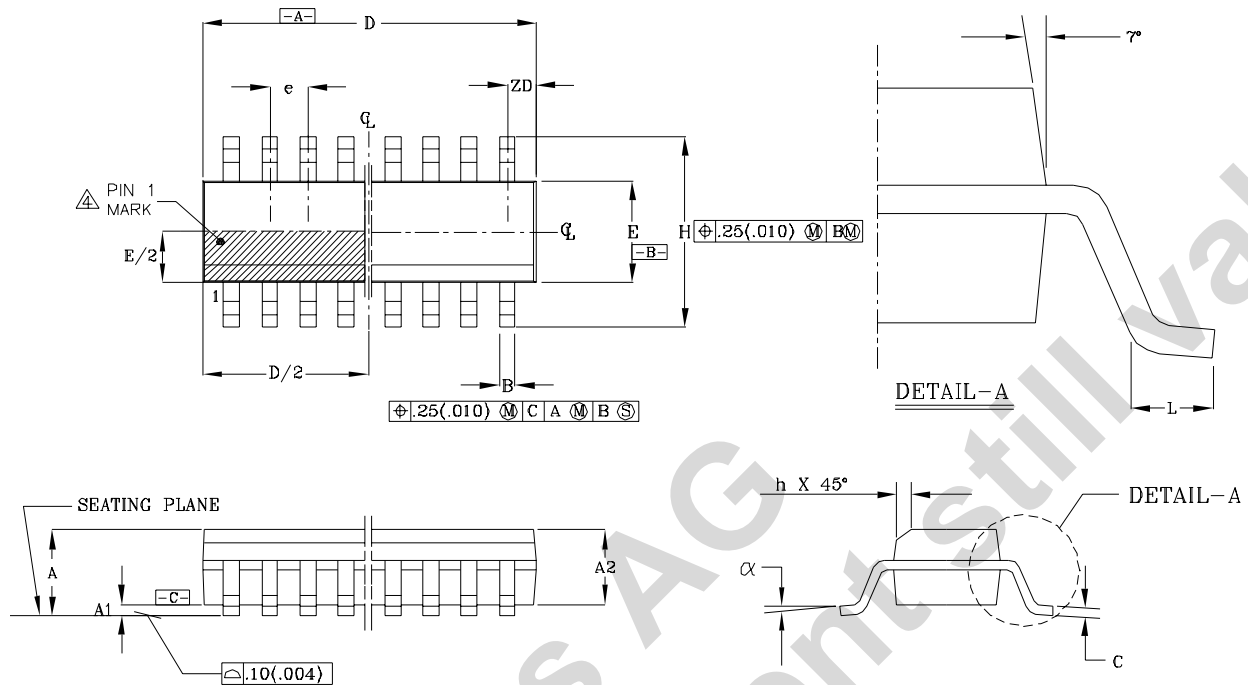
The digital potentiometer can replace in many applications the analog trimming potentiometer. The digital potentiometer is not sensitive to vibrations and shocks. It has an extremely small form-factor and can be adjusted very fast (e.g. AS1500 has an update rate of 600kHz). Furthermore the temperature drift, resolution and noise are significant better and cannot be achieved with a mechanical trimming potentiometer. Due to the programmability the resistor settings can be stored in the system memory, so that after a power down the exact settings can be recalled easily.

All analog signals must remain within 0 to  $V_{CC}$  range. For standard potentiometer applications the wiper output can be used directly. In the case of a low impedance load, a buffer shall be used.

ams AG  
Technical content still valid

## 8 Package Drawings and Markings

Figure 7. 8-pin SOIC Package



### Notes:

- Lead coplanarity should be 0 to 0.10mm (.004") max.
- Package surface finishing:
  - Top: matte (charmillis #18-30).
  - All sides: matte (charmillis #18-30).
  - Bottom: smooth or matte (charmillis #18-30).
- All dimensions exclusive of mold flash, and end flash from the package body shall not exceed 0.24mm (0.10") per side (D).
- Details of pin #1 identifier are optional but must be located within the zone indicated.

Symbol	Min	Max
A1	0.10	0.25
B	0.36	0.46
C	0.19	0.25
D	4.80	4.98
E	3.81	3.99
e	1.27BSC	
H	5.80	6.20
h	0.25	0.50
L	.041	1.27
A	1.52	1.72
	0°	8°
ZD	0.53REF	
A2	1.37	1.57

## 9 Ordering Information

Table 9.

Model	Resistor	Delivery Form	Package	Description
AS1500	10k $\Omega$	Tubes	8-pin SOIC	8-bit Digital Potentiometer
AS1501	20k $\Omega$	Tubes	8-pin SOIC	8-bit Digital Potentiometer
AS1502	50k $\Omega$	Tubes	8-pin SOIC	8-bit Digital Potentiometer
AS1503	100k $\Omega$	Tubes	8-pin SOIC	8-bit Digital Potentiometer
AS1500-T	10k $\Omega$	T&R	8-pin SOIC	8-bit Digital Potentiometer
AS1501-T	20k $\Omega$	T&R	8-pin SOIC	8-bit Digital Potentiometer
AS1502-T	50k $\Omega$	T&R	8-pin SOIC	8-bit Digital Potentiometer
AS1503-T	100k $\Omega$	T&R	8-pin SOIC	8-bit Digital Potentiometer

## Copyrights

Copyright © 1997-2008, austriamicrosystems AG, Schloss Premstaetten, 8141 Unterpremstaetten, Austria-Europe. Trademarks Registered ®. All rights reserved. The material herein may not be reproduced, adapted, merged, translated, stored, or used without the prior written consent of the copyright owner.

All products and companies mentioned are trademarks or registered trademarks of their respective companies.

## Disclaimer

Devices sold by austriamicrosystems AG are covered by the warranty and patent indemnification provisions appearing in its Term of Sale. austriamicrosystems AG makes no warranty, express, statutory, implied, or by description regarding the information set forth herein or regarding the freedom of the described devices from patent infringement. austriamicrosystems AG reserves the right to change specifications and prices at any time and without notice. Therefore, prior to designing this product into a system, it is necessary to check with austriamicrosystems AG for current information. This product is intended for use in normal commercial applications. Applications requiring extended temperature range, unusual environmental requirements, or high reliability applications, such as military, medical life-support or life-sustaining equipment are specifically not recommended without additional processing by austriamicrosystems AG for each application. For shipments of less than 100 parts the manufacturing flow might show deviations from the standard production flow, such as test flow or test location.

The information furnished here by austriamicrosystems AG is believed to be correct and accurate. However, austriamicrosystems AG shall not be liable to recipient or any third party for any damages, including but not limited to personal injury, property damage, loss of profits, loss of use, interruption of business or indirect, special, incidental or consequential damages, of any kind, in connection with or arising out of the furnishing, performance or use of the technical data herein. No obligation or liability to recipient or any third party shall arise or flow out of austriamicrosystems AG rendering of technical or other services.



## Contact Information

### Headquarters

austriamicrosystems AG  
A-8141 Schloss Premstaetten, Austria

Tel: +43 (0) 3136 500 0  
Fax: +43 (0) 3136 525 01

For Sales Offices, Distributors and Representatives, please visit:

<http://www.austriamicrosystems.com/contact-us>

## Looking for pricing, stock, or lifecycle information?

Click below to explore more details on WIN SOURCE:

- [View AS1500-T on WIN SOURCE](#)
- [OSRAM Opto Semiconductors Inc. Information](#)

## Optimize Your Supply Chain with WIN SOURCE Solutions

- ✓ Global Sourcing Solution
- ✓ Obsolete Management
- ✓ Cost Control Management
- ✓ Shortage Management
- ✓ Alternative Solution
- ✓ Excess Inventory Management