

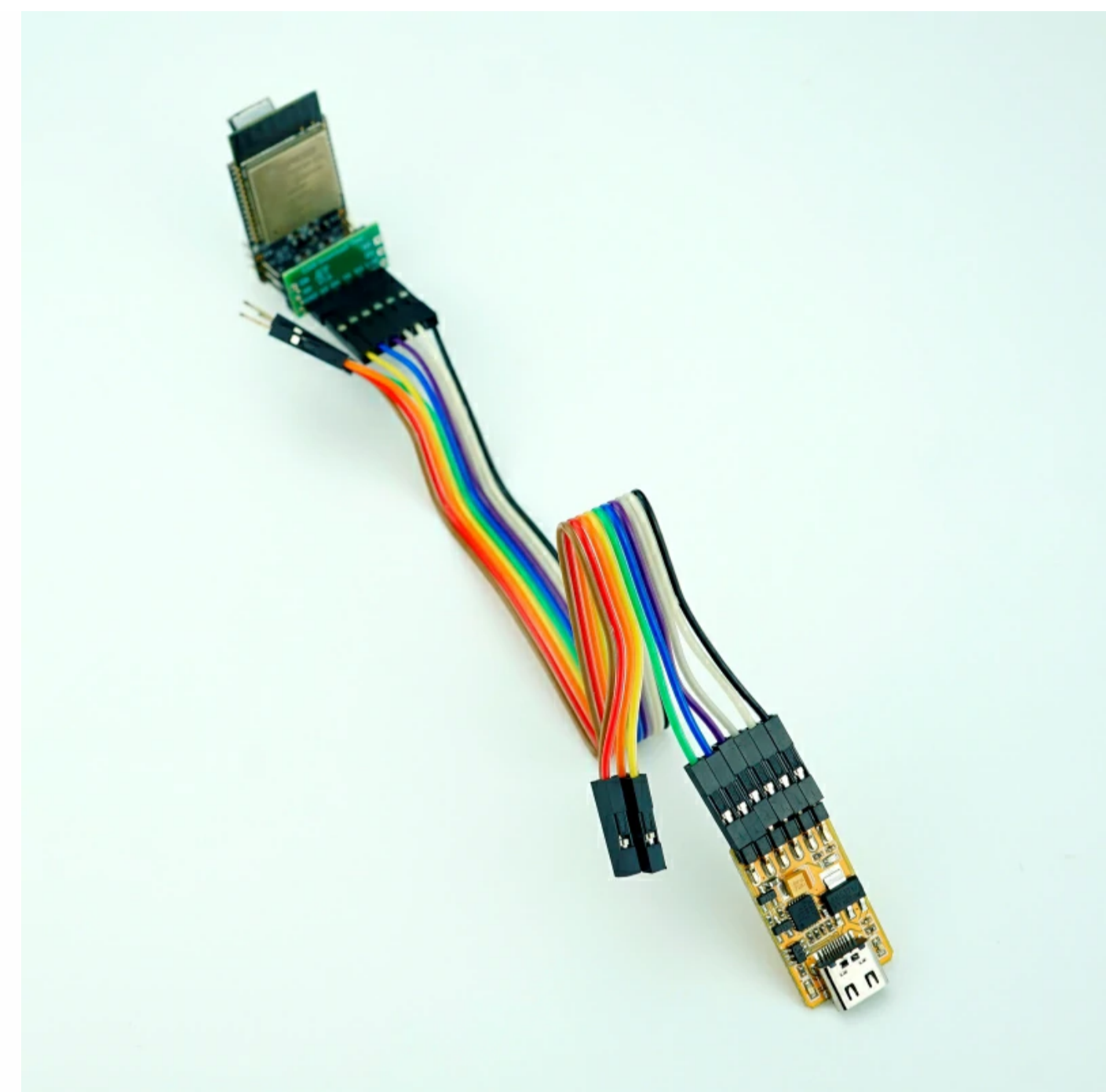
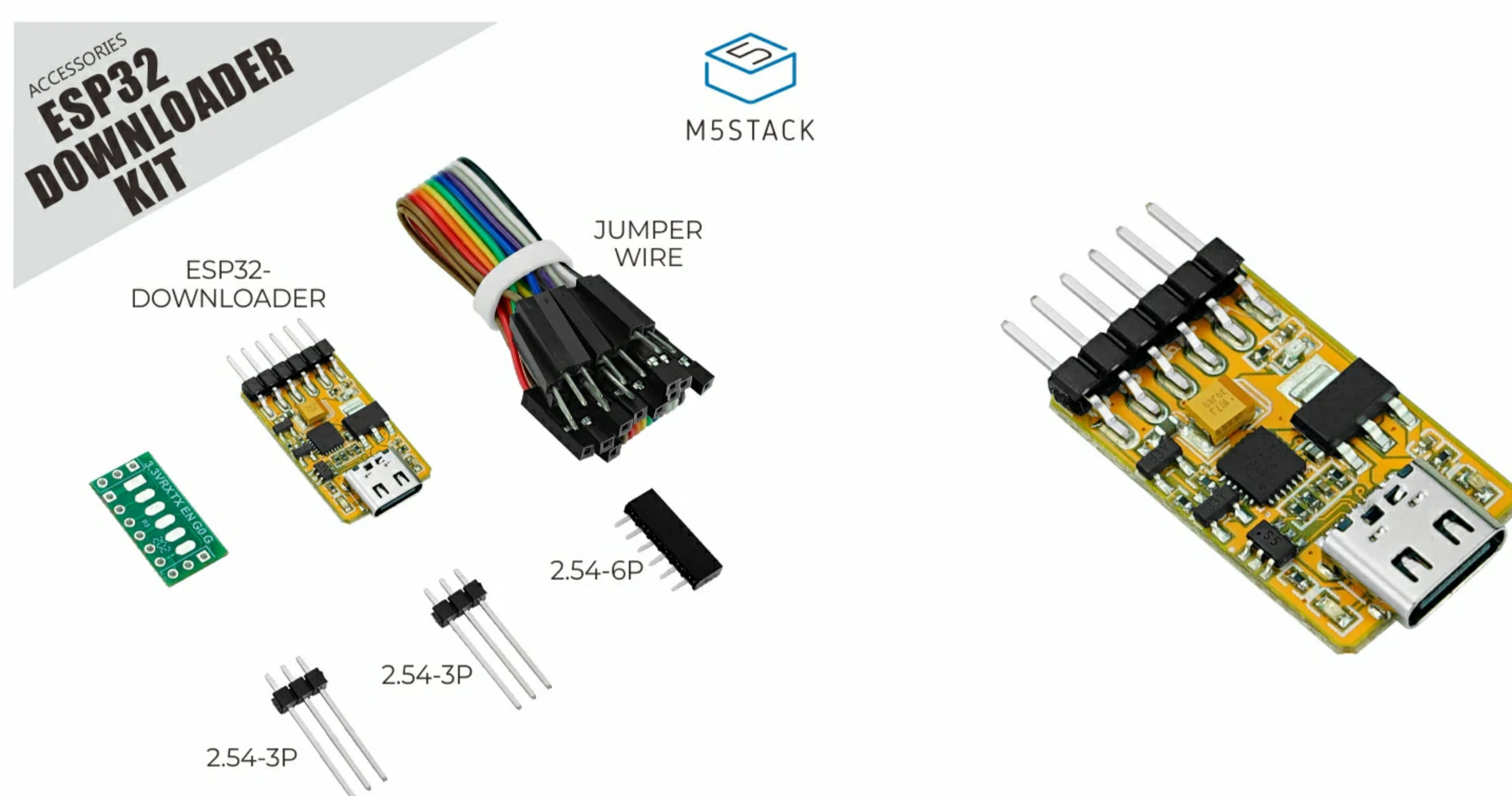


# THE DATASHEET OF A105



# ESP32 Downloader Kit

SKU:A105



## Description

**ESP32 Downloader Kit** is a USB-TTL adapter board for ESP32/ESP8266, This item contains CP2104/CH9102 chip. It supports one-touch download without chip and pin down resetting manual . Plug-in board and row of pins parts from the set can be so convenient for ESP32/ESP8266 series development board or M5Stack series products for program burning or serial debugging.



Note: We may ship The CP2104 chip or CH9102F chip. Both are high quality.

## Product Features

- TypeC interface
- ESP32/ESP8266 program downloader
- Matching the IO sequence of various M5Stack products, direct plug and burn, no wiring

required (UNIT CAM/STAMP series, etc.)

- Receive/send buffer
- Compliant with USB2.0 specification

### Usage diagram:



## Included

- 1x ESP32 CAM Downloader
- 1x ESP32 CAM Pinout Board
- 1x 2.54-6P female header
- 2x 2.54-3P row of pins

## Specification

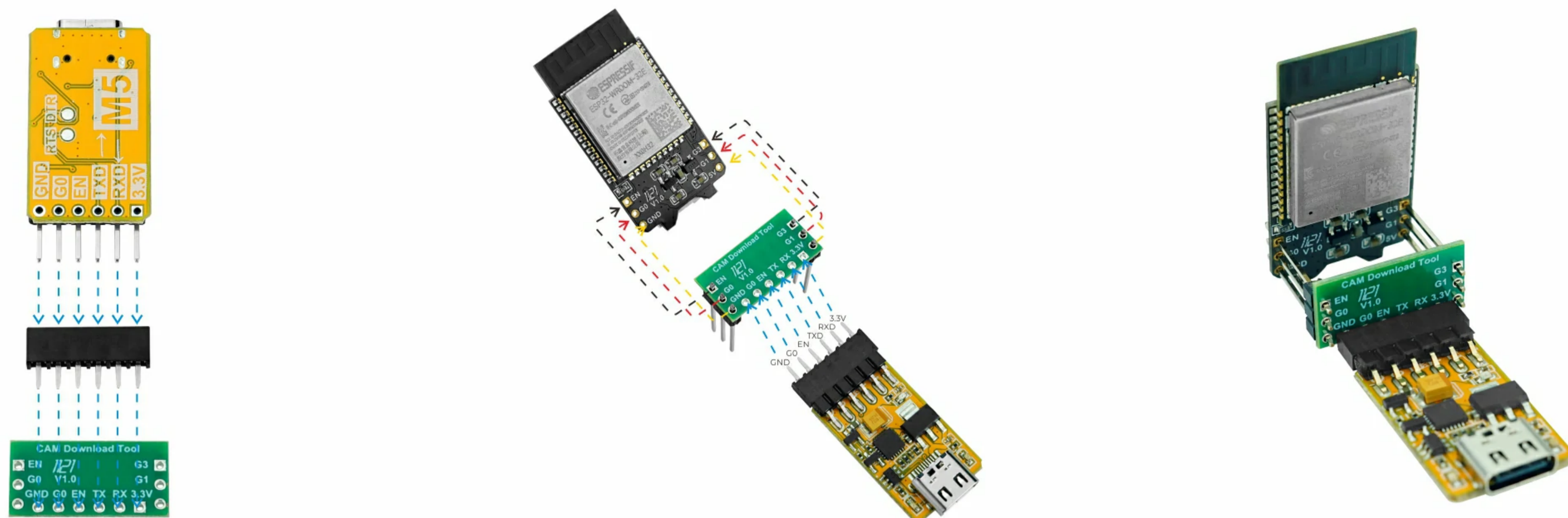
Specifications	Parameters
USB-TTL IC	CP2104/CH9102F
USB Interface Type	TypeC
Baud Rate	300bps to 2Mbps
Supported data formats	Data bits: 5, 6, 7, and 8
	Stop bits: 1, 1.5, and 2
	Parity: odd, even, mark, space, no parity
Buffer	576-byte receive buffer, 576-byte send buffer
Net weight	10g
Gross Weight	11g

Product Dimensions

33 \* 16 \* 3mm

Package Size

90 \* 60mm(static bag)



## Related Link

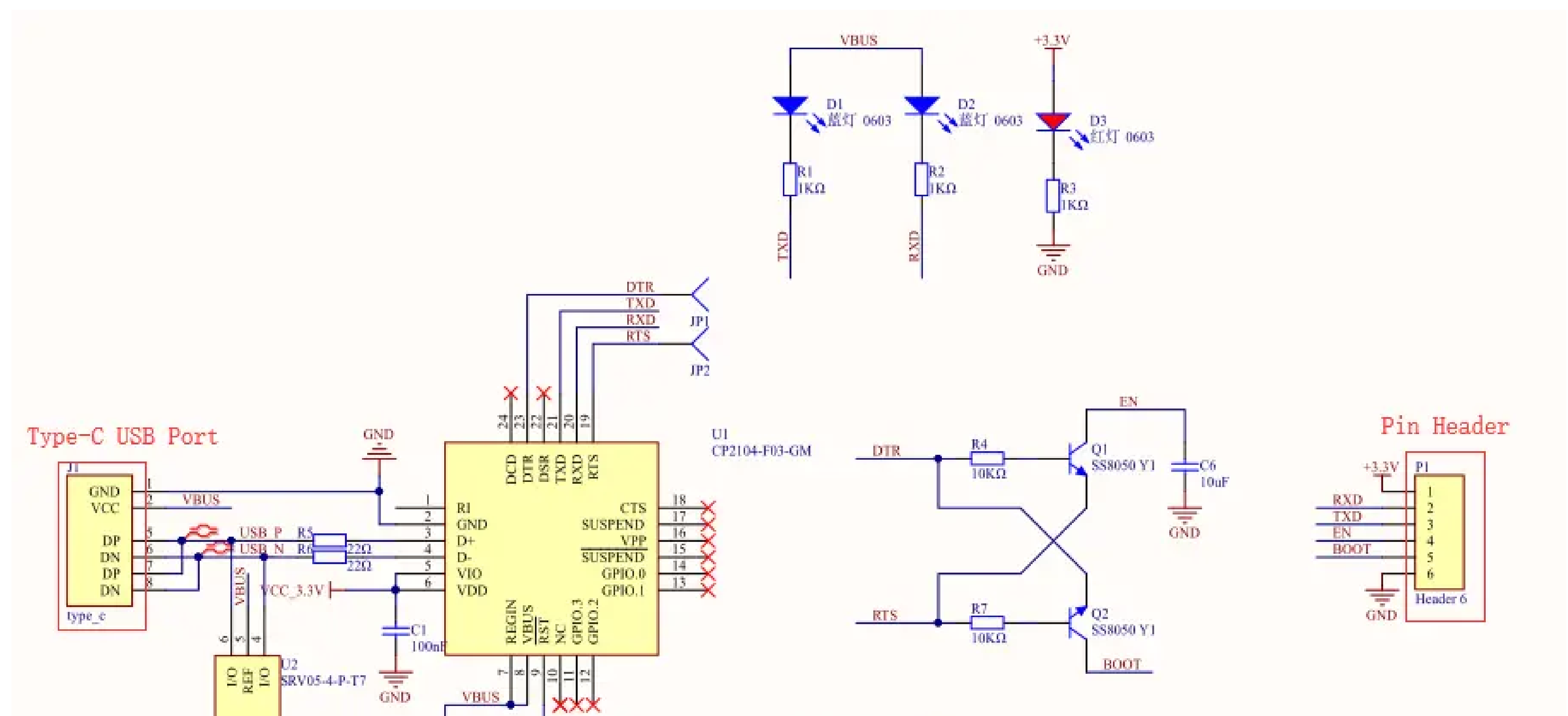
### CP210X Driver:

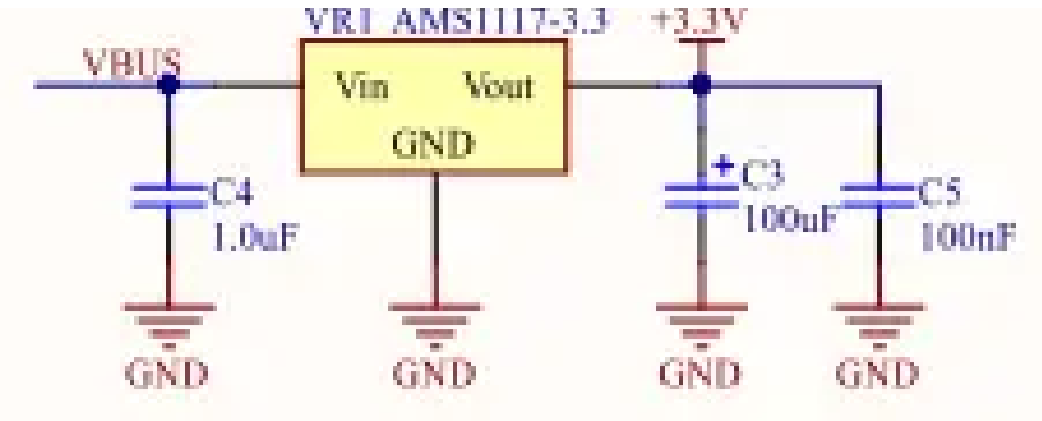
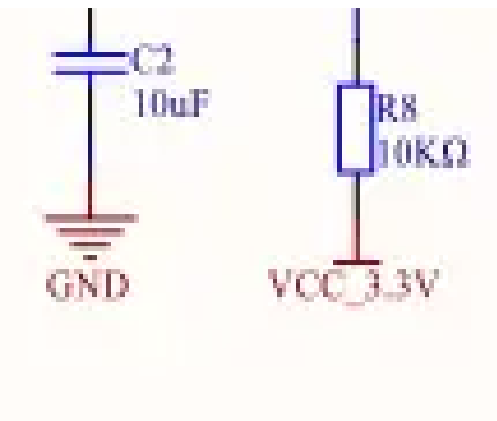
Windows 10

MacOS

Linux

## Schematic





Looking for pricing, stock, or lifecycle information?

Click below to explore more details on WIN SOURCE:

- [View A105 on WIN SOURCE](#)
- [MSStack Technology Co., Ltd. Information](#)

Optimize Your Supply Chain with WIN SOURCE Solutions

- ✓ Global Sourcing Solution
- ✓ Obsolete Management
- ✓ Cost Control Management
- ✓ Shortage Management
- ✓ Alternative Solution
- ✓ Excess Inventory Management