



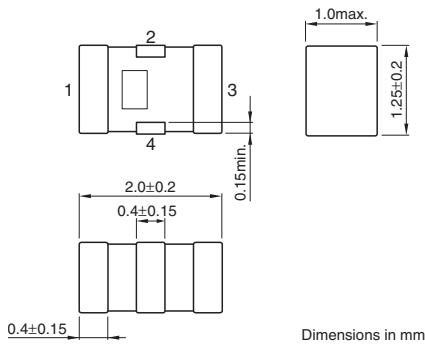
**THE DATASHEET OF
DEA202450BT-1195A1**



Multilayer Band Pass Filters, DEA Series

DEA202450BT-1195A1

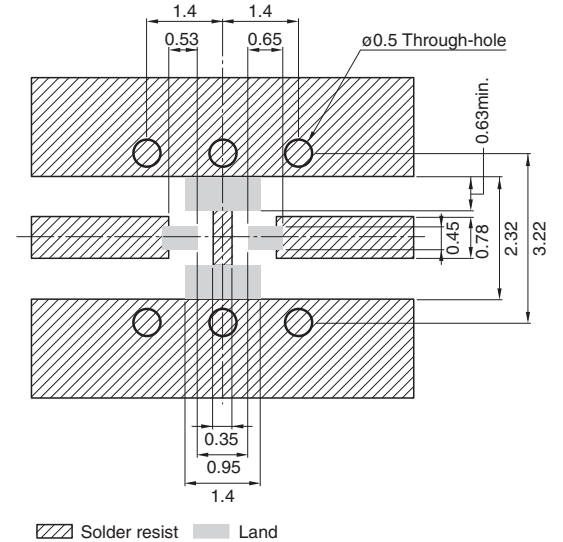
SHAPES AND DIMENSIONS



TERMINAL FUNCTIONS

1	GND
2	In(Out)
3	GND
4	Out(In)

RECOMMENDED PC BOARD PATTERN



Line width be designed to mach 50Ω characteristic impedance depending on PCB material and thickness

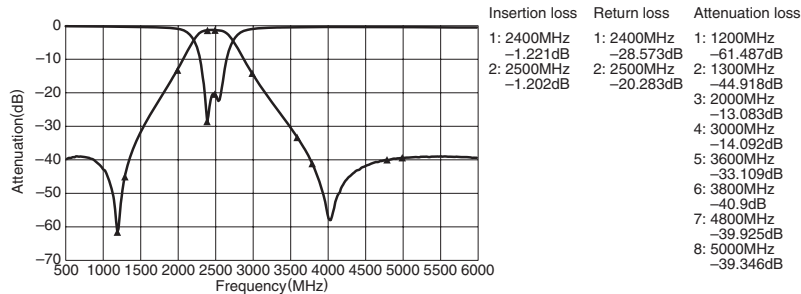
Dimensions in mm

ELECTRICAL CHARACTERISTICS

Item			Minimum value	Typical value	Maximum value
Center frequency	[2450MHz]				
Insertion loss	[2400 to 2500MHz]	(dB)	—	—	2.3
Return loss	[2400 to 2500MHz]	(dB)	9	—	—
Attenuation	[880 to 915MHz]	(dB)	40	—	—
	[915 to 1250MHz]	(dB)	30	—	—
	[1710 to 1990MHz]	(dB)	23	—	—
	[1990 to 2100MHz]	(dB)	10	—	—
	[4800 to 5000MHz]	(dB)	25	—	—
	[7200 to 7500MHz]	(dB)	13	—	—
Temperature range	Operating	(°C)	-40	—	+85
	Storage	(°C)	-40	—	+85

• Ta:+25°C

FREQUENCY CHARACTERISTICS



• All specifications are subject to change without notice.

Looking for pricing, stock, or lifecycle information?

Click below to explore more details on WIN SOURCE:

 [View DEA202450BT-1195A1 on WIN SOURCE](#)

 [TDK Corporation Information](#)

Optimize Your Supply Chain with WIN SOURCE Solutions

-  Global Sourcing Solution
-  Obsolete Management
-  Cost Control Management
-  Shortage Management
-  Alternative Solution
-  Excess Inventory Management