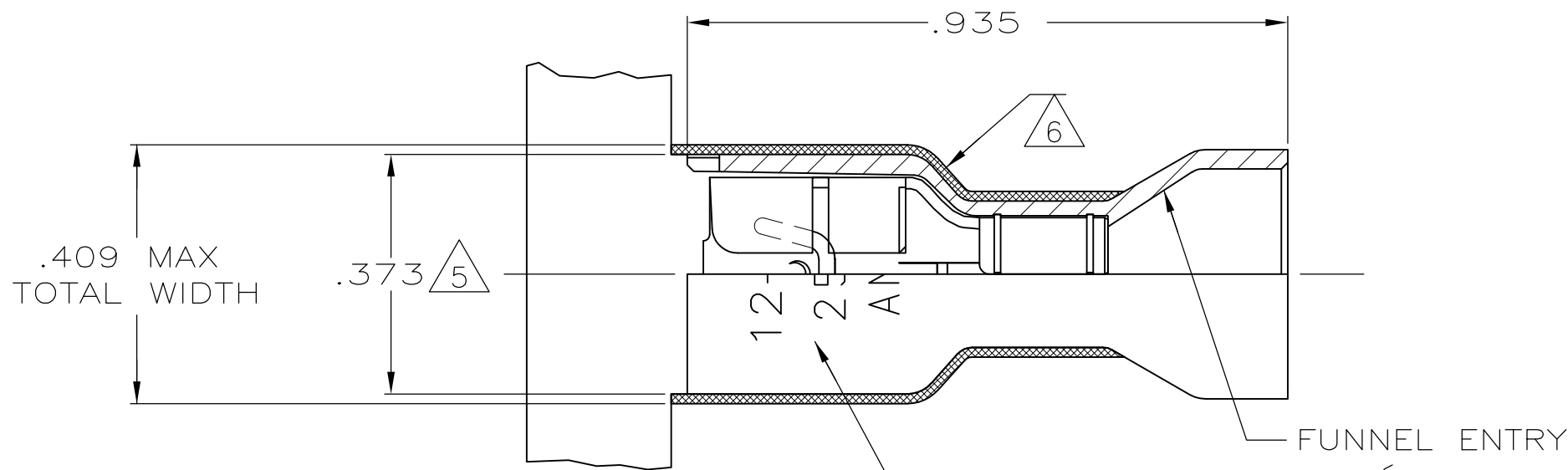
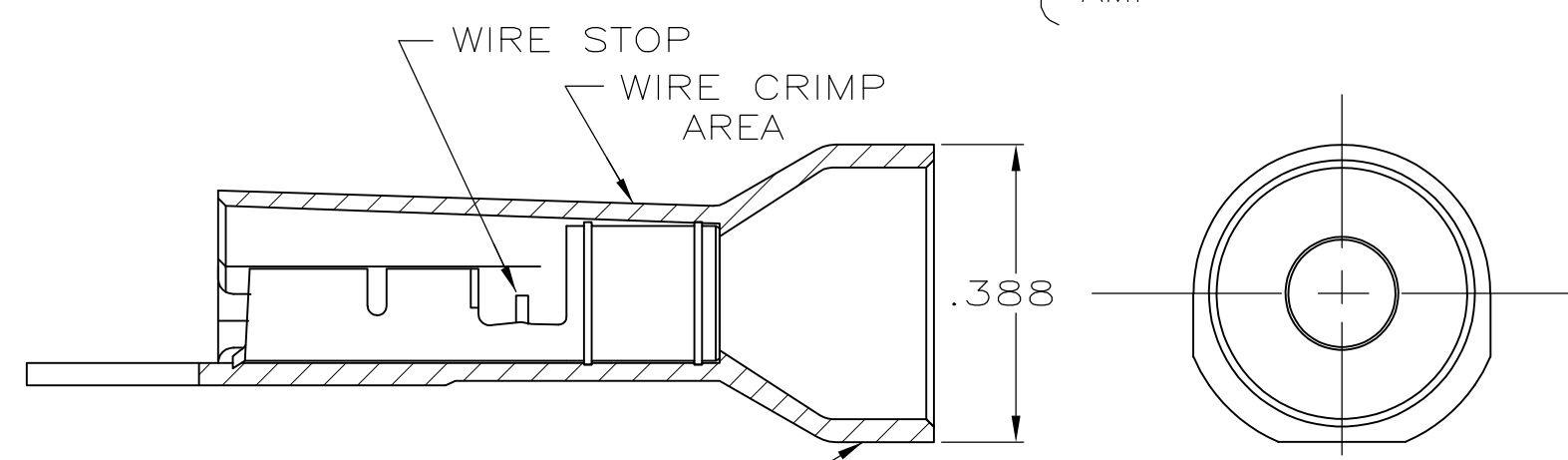
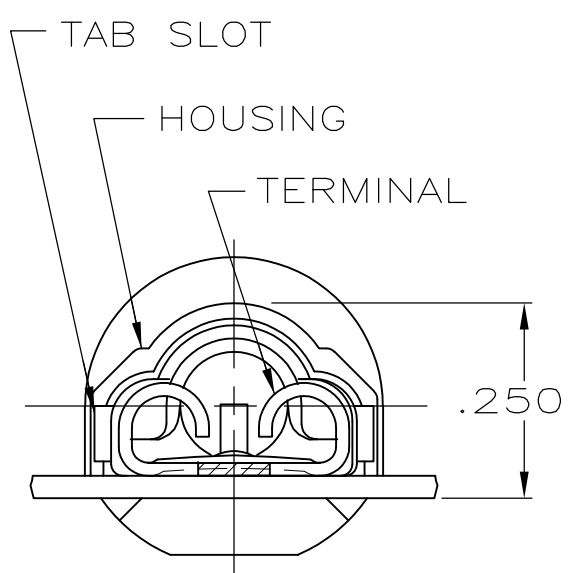


THIS DRAWING IS UNPUBLISHED. RELEASED FOR PUBLICATION
 © COPYRIGHT - By - ALL RIGHTS RESERVED.

LOC	DIST	REVISIONS			
P	LTR	DESCRIPTION	DATE	DWN	APVD
AF	50	L	REVISED PER ECR-13-004343	30JUL13	KH KR



- 1 MATES WITH .032±.001x.250 TAB
- 2 WIRE STRIP LENGTH .312
- 3 INSULATION SIZE .320 MAX DIA
- 4 CONTINUOUS STRIP ON REELS
- △5 DIMENSION DOES NOT INCLUDE TRIM BURR
- △6 .015 MAX CARRIER TRIM BURR PER SIDE IS ALLOWABLE IN THE SHADED AREA




HOUSING: NYLON, COLOR-BLACK TRANSLUCENT RECEPTACLE: BRASS, TIN	9-520447-2
HOUSING: NYLON, COLOR-YELLOW TRANSLUCENT RECEPTACLE: BRASS, TIN	4-520447-2
MATERIAL & FINISH	PART NO

THIS DRAWING IS A CONTROLLED DOCUMENT.		DWN P FORTNEY 11/4/88	TE Connectivity											
DIMENSIONS: INCHES		CHK MS FEHER 11/7/88												
TOLERANCES UNLESS OTHERWISE SPECIFIED:		APVD K RANDOLPH 11/7/88												
<table border="0"> <tr><td>0 PLC</td><td>± -</td></tr> <tr><td>1 PLC</td><td>± -</td></tr> <tr><td>2 PLC</td><td>± -</td></tr> <tr><td>3 PLC</td><td>± .015</td></tr> <tr><td>4 PLC</td><td>± -</td></tr> <tr><td>ANGLES</td><td>± -</td></tr> </table>		0 PLC			± -	1 PLC	± -	2 PLC	± -	3 PLC	± .015	4 PLC	± -	ANGLES
0 PLC	± -													
1 PLC	± -													
2 PLC	± -													
3 PLC	± .015													
4 PLC	± -													
ANGLES	± -													
MATERIAL SEE TABLE	FINISH SEE TABLE	PRODUCT SPEC 108-2043	SIZE A3	CAGE CODE 00779	DRAWING NO C-520447	RESTRICTED TO -								
CUSTOMER DRAWING			SCALE 4:1	SHEET 1 OF 1	REV L									

Looking for pricing, stock, or lifecycle information?

Click below to explore more details on WIN SOURCE:

 [View 4-520447-2 on WIN SOURCE](#)

 [TE Connectivity](#) Information

Optimize Your Supply Chain with WIN SOURCE Solutions

-  Global Sourcing Solution
-  Obsolete Management
-  Cost Control Management
-  Shortage Management
-  Alternative Solution
-  Excess Inventory Management