



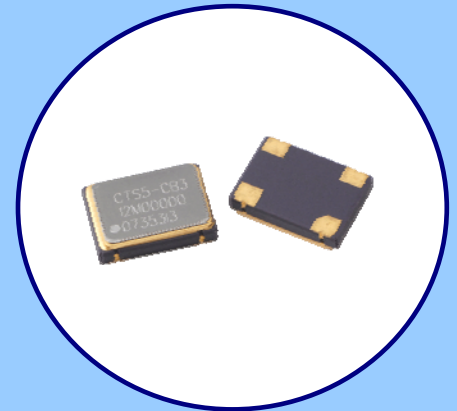
**THE DATASHEET OF  
CB3-3C-8M0000**





**FEATURES**

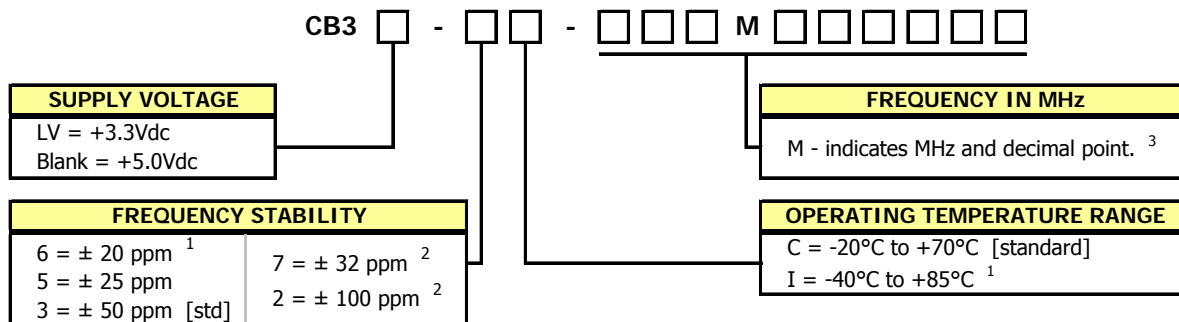
- Standard 7.0mm x 5.0mm 4-Pad Surface Mount Package
- HCMOS/TTL Compatible Output
- Fundamental and 3<sup>rd</sup> Overtone Crystal Designs
- Frequency Range 1 – 200 MHz
- Frequency Stability  $\pm 50$  ppm Standard,  $\pm 25$  ppm and  $\pm 20$  ppm Available
- Operating Voltages +5.0Vdc or +3.3Vdc
- Operating Temperature to -40°C to +85°C
- Output Enable Standard
- Tape & Reel Packaging
- **RoHS/Green Compliant (6/6)**



**APPLICATIONS**

Applications for Model CB3 and CB3LV include digital video, networking equipment, wireless communications, broadband access, Ethernet/Gigabit Ethernet, microprocessors/DSP/FPGA, storage area networks, fiber channel, computers and peripherals, test and measurement, SONET/SDH/DWDM, base stations and Pico cells.

**ORDERING INFORMATION**

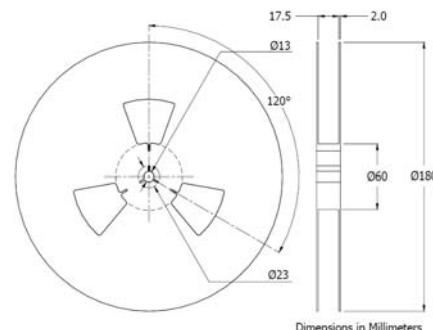
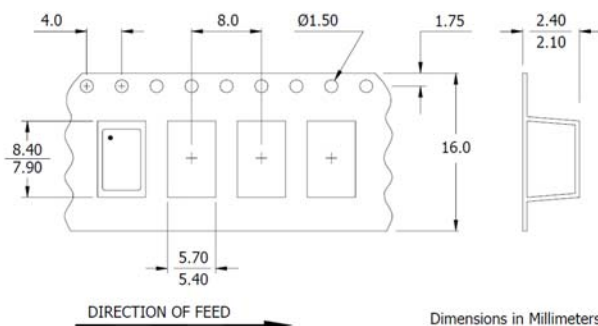


- 1] 6I Stability/Temperature combination is not available.
- 2] These stabilities are not recommended for new designs.
- 3] Frequency is recorded with only leading significant digits before the 'M' and 4 - 6 significant digits after the 'M' (including zeros).  
[Ex. 3.579545 MHz, code as 3M579545; 14.31818 MHz, code as 14M31818; 125 MHz, code as 125M0000]
- 4] CTS Distributors may add a -T or -1 at the end of the part number to indicate Tape and Reel packaging.

**Not all performance combinations and frequencies may be available.**  
**Contact your local CTS Representative or CTS Customer Service for availability.**

**PACKAGING INFORMATION [reference]**

Device quantity is 1,000 pieces maximum per reel.



**ELECTRICAL CHARACTERISTICS**

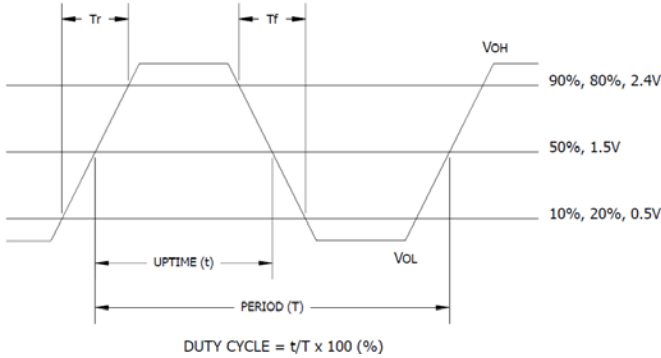
PARAMETER	SYMBOL	CONDITIONS	MIN	TYP	MAX	UNIT	
Maximum Supply Voltage	V <sub>CC</sub>	-	-0.5	-	+7.0	V	
Storage Temperature	T <sub>STG</sub>	-	-40	-	+100	°C	
Frequency Range							
CB3	f <sub>0</sub>	-	1.5	-	107	MHz	
CB3LV		-	1.5	-	200		
Frequency Stability	Δf/f <sub>0</sub>	See Note 1 and Ordering Information	-	-	20,25,50 or 100	± ppm	
Aging	Δf	First year	-	3	5	± ppm	
Operating Temperature							
Commercial	T <sub>A</sub>	-	-20	25	+70	°C	
Industrial			-40		+85		
Supply Voltage							
CB3	V <sub>CC</sub>	±10%	4.5	5.0	5.5	V	
CB3LV			3.0	3.3	3.6		
Supply Current		Frequency Range					
CB3	I <sub>CC</sub>	Tested load condition noted for typical values.					
		1.5MHz to 20MHz	C <sub>L</sub> =50pF	-	10	25	mA
		20.001MHz to 80MHz	C <sub>L</sub> =50pF	-	30	50	
		80.001MHz to 107MHz	C <sub>L</sub> =15pF	-	40	80	
CB3LV		1.5MHz to 20MHz	C <sub>L</sub> =15pF	-	7	12	
		20.001MHz to 80MHz	C <sub>L</sub> =15pF	-	20	40	
	80.001MHz to 200MHz	C <sub>L</sub> =15pF	-	30	60		
Output Load	C <sub>L</sub>	1.5MHz to 50MHz	-	-	50	pF	
		50.001MHz to 80MHz	-	-	30		
		80.001MHz to 200MHz	-	-	15		
Output Voltage Levels							
Logic '1' Level	V <sub>OH</sub>	CMOS Load	90%V <sub>CC</sub>	-	-	V	
		10 TTL LOAD	V <sub>CC</sub> -0.6V				
Logic '0' Level	V <sub>OL</sub>	CMOS	-	-	10%V <sub>CC</sub>		
		TTL Load			0.4		
Output Current							
Logic '1' Level	I <sub>OH</sub>	V <sub>OH</sub> = 3.9V/2.2V    V <sub>CC</sub> = 4.5V/3.0V	-	-	-16/-8	mA	
Logic '0' Level	I <sub>OL</sub>	V <sub>OL</sub> = 0.4V        V <sub>CC</sub> = 4.5V/3.0V	-	-	+16/+8		
Output Duty Cycle	SYM	@ 50% Level	45	-	55	%	
Rise and Fall Time		@ 10% - 90% Levels					
CB3	T <sub>R</sub> , T <sub>F</sub>	Tested load condition noted for typical values.				ns	
		1.5MHz to 20MHz	C <sub>L</sub> =50pF	-	8		10
		20.001MHz to 80MHz	C <sub>L</sub> =50pF	-	5		8
		80.001MHz to 200MHz	C <sub>L</sub> =15pF	-	2.5		5
CB3LV		1.5MHz to 20MHz	C <sub>L</sub> =15pF	-	6		8
		20.001MHz to 80MHz	C <sub>L</sub> =15pF	-	3		5
	80.001MHz to 200MHz	C <sub>L</sub> =15pF	-	1.5	3		
Start Up Time	T <sub>S</sub>	Application of V <sub>CC</sub>	-	-	10	ms	
Enable Function							
Enable Input Voltage	V <sub>IH</sub>	Pin 1 Logic '1', Output Enabled	2.0	-	-	V	
Disable Input Voltage	V <sub>IL</sub>	Pin 1 Logic '0', Output Disabled	-	-	0.8		
Enable Time	T <sub>PLZ</sub>	Pin 1 Logic '1'	-	-	200	ns	
Standby Current	I <sub>ST</sub>	Pin 1 Logic '0', Output Disabled	-	-	10	μA	
Period Jitter, Pk-Pk	-	-	-	-	50	ps	
Period Jitter, RMS	-	-	-	-	5		
Phase Jitter, RMS	-	Bandwidth 12kHz - 20MHz	-	-	1		

Notes:

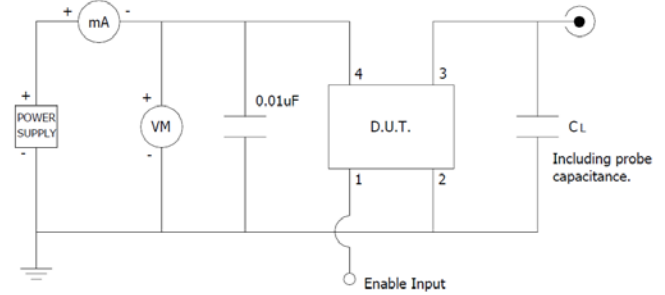
1. Inclusive of initial tolerance at time of shipment, changes in supply voltage, load, temperature and 1st year aging.

**ELECTRICAL CHARACTERISTICS**

**LVC MOS OUTPUT WAVEFORM**



**TEST CIRCUIT, CMOS LOAD**



**ENABLE TRUTH TABLE**

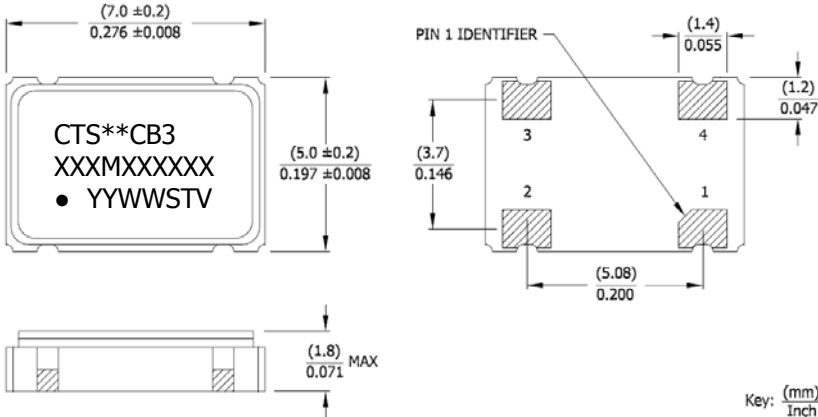
PIN 1	PIN 3
Logic '1'	Output
Open	Output
Logic '0'	High Imp.

**D.U.T. PIN ASSIGNMENTS**

PIN	SYMBOL	DESCRIPTION
1	EOH	Enable
2	GND	Circuit & Package Ground
3	Output	RF Output
4	V <sub>CC</sub>	Supply Voltage

**MECHANICAL SPECIFICATIONS**

**PACKAGE DRAWING**



**MARKING INFORMATION**

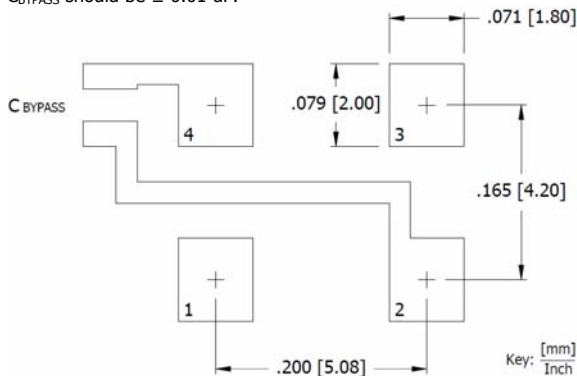
- \*\* – Manufacturing Site Code.  
[Note a dash may follow the site code and is acceptable.]
- XXXMXXXXXX – Frequency is marked with only leading significant digits before the 'M' and 4 – 6 digits after the 'M' (including zeros).  
Ex. XMXXXXXX [3M579545]  
XXMXXXXXX [14M31818]  
XXXMXXXX [125M0000]
- YYWW – Date code, YY – year, WW – week.
- ST – Frequency stability/temperature code.  
[Refer to Ordering Information.]
- V – Voltage code. 3 = 3.3V, 5 = 5.0V.

**NOTES**

- Termination pads [e4]. Barrier-plating is nickel [Ni] with gold [Au] flash plate.
- Reflow conditions per JEDEC J-STD-020, 260°C maximum.
- Moisture Sensitivity Level 1 per JEDEC J-STD-020.

**SUGGESTED SOLDER PAD GEOMETRY**

C<sub>BYPASS</sub> should be ≥ 0.01 uF.



## Looking for pricing, stock, or lifecycle information?

Click below to explore more details on WIN SOURCE:

 [View CB3-3C-8M0000](#) on WIN SOURCE

 [CTS-Frequency Controls](#) Information

## Optimize Your Supply Chain with WIN SOURCE Solutions

-  Global Sourcing Solution
-  Obsolete Management
-  Cost Control Management
-  Shortage Management
-  Alternative Solution
-  Excess Inventory Management