



Is Now Part of



ON Semiconductor®

To learn more about ON Semiconductor, please visit our website at
www.onsemi.com

Please note: As part of the Fairchild Semiconductor integration, some of the Fairchild orderable part numbers will need to change in order to meet ON Semiconductor's system requirements. Since the ON Semiconductor product management systems do not have the ability to manage part nomenclature that utilizes an underscore (_), the underscore (_) in the Fairchild part numbers will be changed to a dash (-). This document may contain device numbers with an underscore (_). Please check the ON Semiconductor website to verify the updated device numbers. The most current and up-to-date ordering information can be found at www.onsemi.com. Please email any questions regarding the system integration to Fairchild_questions@onsemi.com.

ON Semiconductor and the ON Semiconductor logo are trademarks of Semiconductor Components Industries, LLC dba ON Semiconductor or its subsidiaries in the United States and/or other countries. ON Semiconductor owns the rights to a number of patents, trademarks, copyrights, trade secrets, and other intellectual property. A listing of ON Semiconductor's product/patent coverage may be accessed at www.onsemi.com/site/pdf/Patent-Marking.pdf. ON Semiconductor reserves the right to make changes without further notice to any products herein. ON Semiconductor makes no warranty, representation or guarantee regarding the suitability of its products for any particular purpose, nor does ON Semiconductor assume any liability arising out of the application or use of any product or circuit, and specifically disclaims any and all liability, including without limitation special, consequential or incidental damages. Buyer is responsible for its products and applications using ON Semiconductor products, including compliance with all laws, regulations and safety requirements or standards, regardless of any support or applications information provided by ON Semiconductor. "Typical" parameters which may be provided in ON Semiconductor data sheets and/or specifications can and do vary in different applications and actual performance may vary over time. All operating parameters, including "Typicals" must be validated for each customer application by customer's technical experts. ON Semiconductor does not convey any license under its patent rights nor the rights of others. ON Semiconductor products are not designed, intended, or authorized for use as a critical component in life support systems or any FDA Class 3 medical devices or medical devices with a same or similar classification in a foreign jurisdiction or any devices intended for implantation in the human body. Should Buyer purchase or use ON Semiconductor products for any such unintended or unauthorized application, Buyer shall indemnify and hold ON Semiconductor and its officers, employees, subsidiaries, affiliates, and distributors harmless against all claims, costs, damages, and expenses, and reasonable attorney fees arising out of, directly or indirectly, any claim of personal injury or death associated with such unintended or unauthorized use, even if such claim alleges that ON Semiconductor was negligent regarding the design or manufacture of the part. ON Semiconductor is an Equal Opportunity/Affirmative Action Employer. This literature is subject to all applicable copyright laws and is not for resale in any manner.



FAN3850A

Microphone Pre-Amplifier with Digital Output

Features

- Optimized for Mobile Handset and Notebook PC Microphone Applications
- Accepts Input from Electret Condenser Microphones (ECM)
- Pulse Density Modulation (PDM) Output
- Standard 5-Wire Digital Interface
- 16dB Gain
- Low Input Capacitance, High PSR, 20 kHz Pre-Amplifier
- Low-Power 1.5 μ A Sleep Mode
- Typical 470 μ A Supply Current
- SNR of 62 dB(A) for 16 dB Gain Respectively
- Total Harmonic Distortion 0.02%
- Input Clock Frequency Range of 1-4 MHz
- Integrated Low Drop-Out Regulator (LDO)
- Small 1.26 mm x 0.86 mm 6-Ball WLCSP Package

Description

The FAN3850A integrates a pre-amplifier, LDO, and ADC that converts Electret Condenser Microphone (ECM) outputs to digital Pulse Density Modulation (PDM) data streams. The pre-amplifier accepts analog signals from the ECM and drives an over-sampled sigma delta Analog-to-Digital Converter (ADC) and outputs PDM data. The PDM digital audio has the advantage of noise rejection and easy interface to mobile handset processors.

The FAN3850A features an integrated LDO and is powered from the system supply rails up to 3.63 V, with low power consumption of only 0.85 mW and less than 20 μ W in Power-Down Mode.

Applications

- Electret Condenser Microphones with Digital Output
- Mobile Handset
- Headset Accessories
- Personal Computer (PC)

Ordering Information

Part Number	Operating Temperature Range	Package	Packing Method
FAN3850AUC16X	-30°C to +85°C	6 Ball, Wafer-Level Chip-Scale Package (WLCSP)	3000 Units on Tape & Reel

Block Diagram

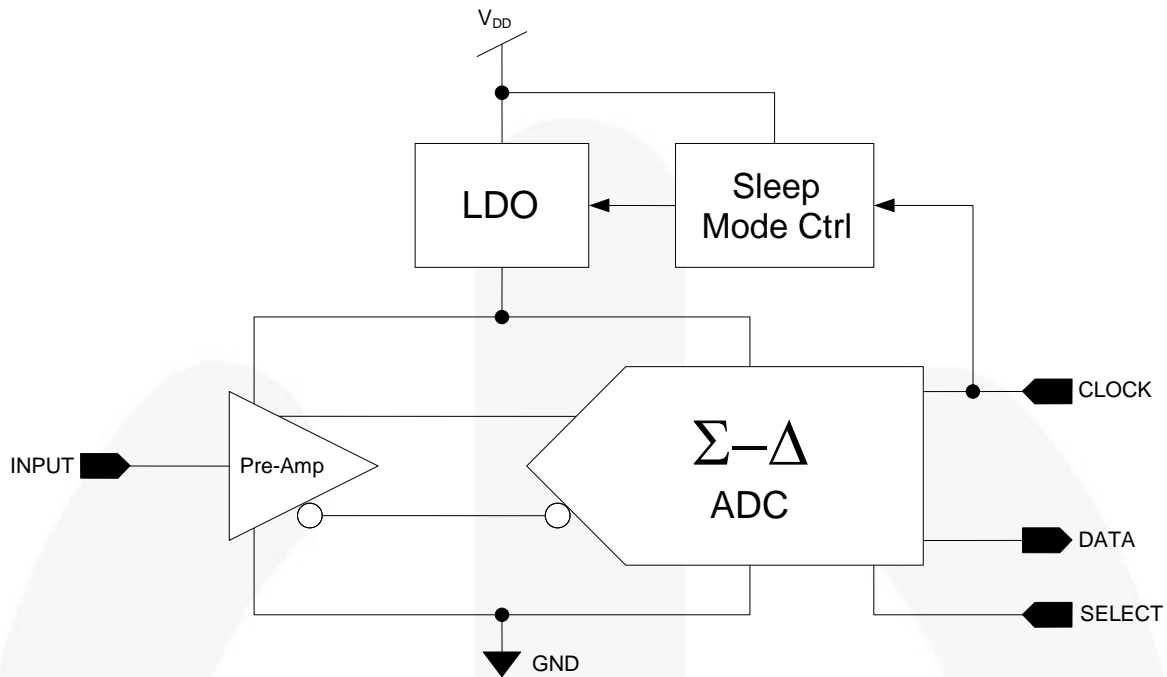


Figure 1. Block Diagram

Pin Configuration

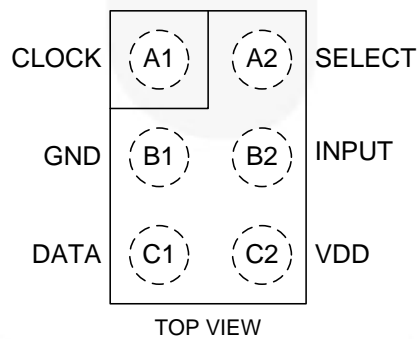


Figure 2. Pin Assignments

Pin Definitions

Pin#	Name	Type	Description
A1	CLOCK	Input	Clock Input
B1	GND	Input	Ground Pin
C1	DATA	Output	PDM Output – 1 Bit ADC
A2	SELECT	Input	Rising or Falling Clock Edge Select
B2	INPUT	Input	Microphone Input
C2	VDD	Input	Device Power Pin

Absolute Maximum Ratings

Stresses exceeding the absolute maximum ratings may damage the device. The device may not function or be operable above the recommended operating conditions and stressing the parts to these levels is not recommended. In addition, extended exposure to stresses above the recommended operating conditions may affect device reliability. The absolute maximum ratings are stress ratings only.

Symbol	Parameter	Min.	Max.	Unit
V _{DD}	DC Supply Voltage	-0.3	4.0	V
V _{IO}	Digital I/O	-0.3	V _{DD} +0.3	V
	Microphone Input	-0.3	2.2	
ESD	Human Body Model, JESD22-A114, All Pins Except Microphone Input	±7		kV
	Human Body Model, JESD22-A114 – Microphone Input	±300		V

Note:

1. This device is fabricated using CMOS technology and is therefore susceptible to damage from electrostatic discharges. Appropriate precautions must be taken during handling and storage of this device to prevent exposure to ESD.

Reliability Information

Symbol	Parameter	Min.	Typ.	Max.	Unit
T _J	Junction Temperature			+150	°C
T _{STG}	Storage Temperature Range	-65		+125	°C
T _{RFLW}	Peak Reflow Temperature			+260	°C
θ _{JA}	Thermal Resistance, JEDEC Standard, Multilayer Test Boards, Still Air		90		°C/W

Recommended Operating Conditions

The Recommended Operating Conditions table defines the conditions for actual device operation. Recommended operating conditions are specified to ensure optimal performance to the datasheet specifications. Fairchild does not recommend exceeding them or designing to Absolute Maximum Ratings.

Symbol	Parameter	Min.	Typ.	Max.	Unit
T _A	Operating Temperature Range	-30		+85	°C
V _{DD}	Supply Voltage Range	1.64	1.80	3.63	V
t _{RF-CLK}	Clock Rise and Fall Time			10	ns

Device Specific Electrical Characteristics

Unless otherwise specified, all limits are guaranteed for $T_A=25^\circ\text{C}$, $V_{DD}=1.8\text{ V}$, $V_{IN}=94\text{ dB (SPL)}$, and $f_{CLK}=2.4\text{ MHz}$. Duty Cycle=50% and $C_{MIC}=15\text{ pF}$.

Symbol	Parameter	FAN3850AUC16X			Unit
		Min.	Typ.	Max.	
SNR	Signal-to-Noise Ratio $f_{IN}=1\text{ kHz}$ (1Pa), A-Weighted		62		dB(A)
e_N	Total Input RMS Noise ⁽³⁾ 20Hz to 20kHz, A-Weighted		5.74	6.80	μV_{RMS}
V_{IN}	Maximum Input Signal $f_{IN}=1\text{ kHz}$, THD+N < 10%, Level=0V			448	mV _{PP}

Electrical Characteristics

Unless otherwise specified, all limits are guaranteed for $T_A=25^\circ\text{C}$, $V_{DD}=1.8\text{ V}$, $V_{IN}=94\text{ dB (SPL)}$, and $f_{CLK}=2.4\text{ MHz}$. Duty Cycle=50% and $C_{MIC}=15\text{ pF}$.

Symbol	Parameter	Condition	Min.	Typ.	Max.	Unit
V_{DD}	Supply Voltage Range		1.64	1.80	3.63	V
I_{DD}	Supply Current	INPUT=AC Coupled to GND, CLOCK=On, No Load		470		μA
I_{SLEEP}	Sleep Mode Current	$f_{CLK}=\text{GND}$		1.5	8.0	μA
PSR	Power Supply Rejection ⁽³⁾	INPUT=AC Coupled to GND, Test Signal on $V_{DD}=217\text{ Hz}$ Square Wave and Broadband Noise ⁽²⁾ , Both 100mV _{P-P}		-74		dBFS
I_{NOM}	Nominal Sensitivity ⁽⁴⁾	INPUT=94 dB SPL (1Pa)		-26		dBFS
THD	Total Harmonic Distortion ⁽⁶⁾	$f_{IN}=1\text{ kHz}$, INPUT=-26 dBFS		0.02	0.20	%
THD+N	THD and Noise ⁽³⁾	$50\text{ Hz} \leq f_{IN} \leq 1\text{ kHz}$, INPUT=-20 dBFS		0.2	1.0	%
		$f_{IN}=1\text{ kHz}$, INPUT=-5 dBFS		1.0	5.0	
		$f_{IN}=1\text{ kHz}$, INPUT=0 dBFS		5.0	10.0	
C_{IN}	Input Capacitance ⁽⁷⁾	INPUT		0.2		pF
R_{IN}	Input Resistance ⁽⁷⁾	INPUT	>100			G Ω
V_{IL}	CLOCK & SELECT Input Logic LOW Level				0.3	V
V_{IH}	CLOCK & SELECT Input Logic HIGH Level		1.5		$V_{DD}+0.3$	V
V_{OL}	Data Output Logic LOW Level				$0.35 \cdot V_{DD}$	V
V_{OH}	Data Output Logic HIGH Level		$0.65 \cdot V_{DD}$			V
V_{OUT}	Acoustic Overload Point ⁽⁷⁾	THD < 10%	120			dB SPL

Continued on the following page...

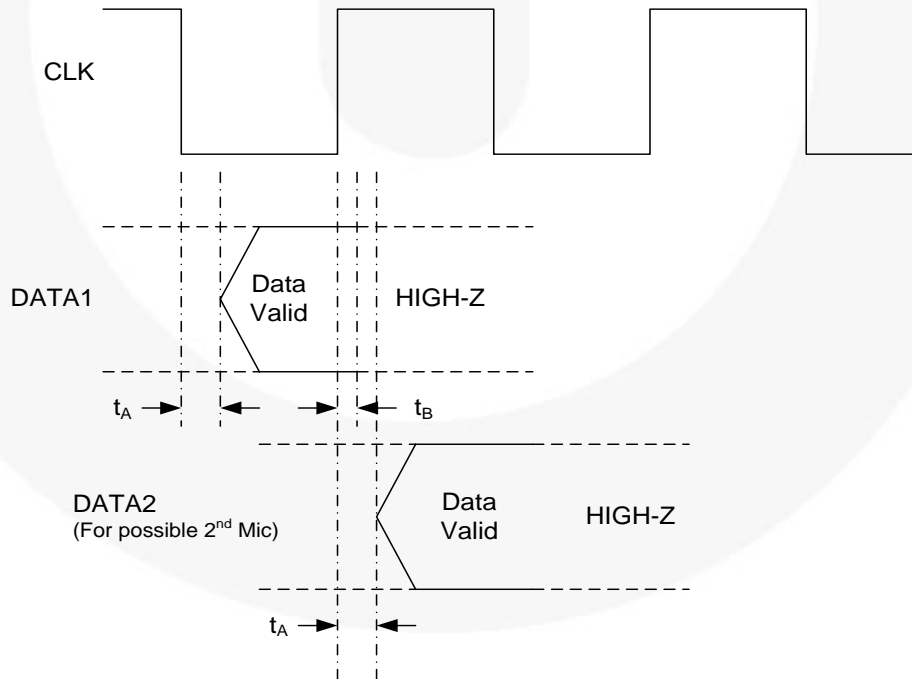
Electrical Characteristics (Continued)

Unless otherwise specified, all limits are guaranteed for $T_A=25^{\circ}\text{C}$, $V_{DD}=1.8\text{ V}$, $V_{IN}=94\text{ dB(SPL)}$, and $f_{CLK}=2.4\text{ MHz}$. Duty Cycle=50% and $C_{MIC}=15\text{ pF}$.

Symbol	Parameter	Condition	Min.	Typ.	Max.	Unit
t_A	Time from CLOCK Transition to Data becoming Valid	On Falling Edge of CLOCK, SELECT=GND, $C_{LOAD}=15\text{ pF}$	18	43		ns
t_B	Time from CLOCK Transition to Data becoming HIGH-Z	On Rising Edge of CLOCK, SELECT=GND, $C_{LOAD}=15\text{ pF}$	0	5	16	ns
t_A	Time from CLOCK Transition to Data becoming Valid	On Rising Edge of CLOCK, SELECT= V_{DD} , $C_{LOAD}=15\text{ pF}$	18	56		ns
t_B	Time from CLOCK Transition to Data becoming HIGH-Z	On Falling Edge of CLOCK, SELECT= V_{DD} , $C_{LOAD}=15\text{ pF}$	0	5	16	ns
f_{CLK}	Input CLOCK Frequency ⁽⁸⁾	Active Mode	1.0	2.4	4.0	MHz
CLK_{dc}	CLOCK Duty Cycle ⁽³⁾		40	50	60	%
t_{WAKEUP}	Wake-Up Time ⁽⁹⁾	$f_{CLK}=2.4\text{ MHz}$		0.35	2.00	ms
$t_{FALLASLEEP}$	Fall-Asleep Time ⁽¹⁰⁾	$f_{CLK}=2.4\text{ MHz}$	0	0.01	1.00	ms
C_{LOAD}	Load Capacitance on Data				100	pF

Notes:

2. Pseudo-random noise with triangular probability density function. Bandwidth up to 10 MHz.
3. Guaranteed by characterization.
4. Assuming that 120 dB(SPL) is mapped to 0 dBFS.
5. Assuming an input of -45 dBV.
6. Guaranteed by design.
7. All parameters are tested at 2.4 MHz. Frequency range guaranteed by characterization.
8. Device wakes up when $f_{CLK} \geq 300\text{ kHz}$.
9. Device falls asleep when $f_{CLK} \leq 70\text{ kHz}$.

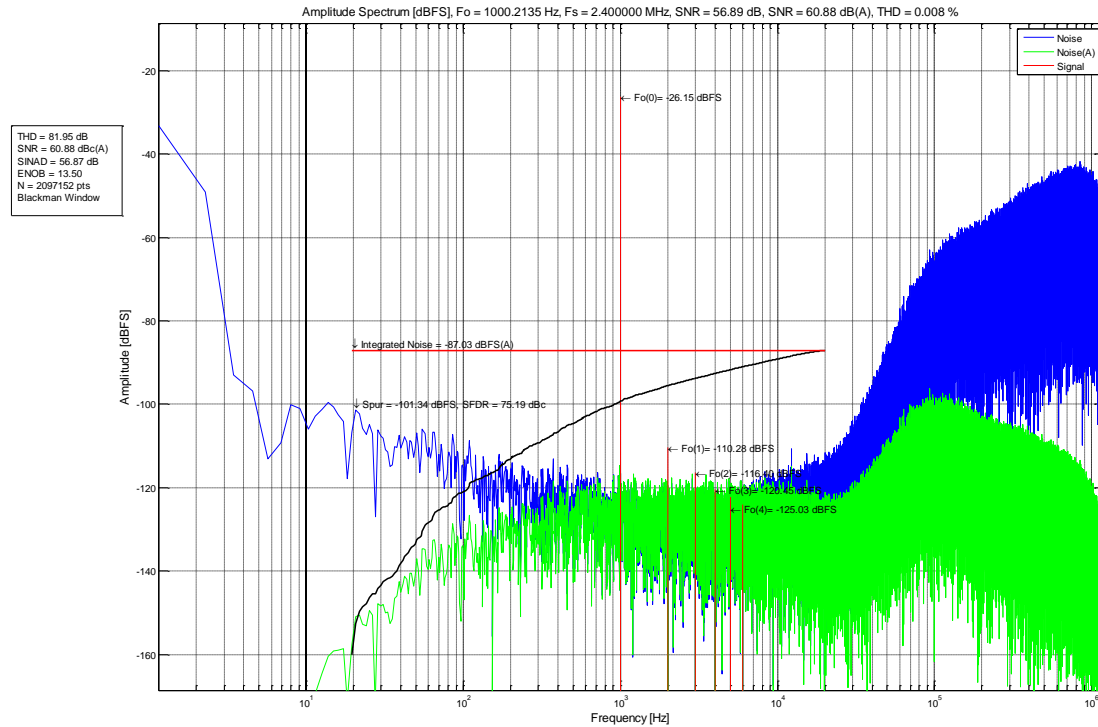


t_A – Microphone delay from clock edge to data assertion.
 t_B – Microphone delay from clock edge to high-impedance state.
 $t_A > t_B$ to have interim HIGH-Z state in both signals.

Figure 3. Interface Timing

Typical Performance Characteristics

Unless otherwise specified, all limits are guaranteed for $T_A=25^\circ\text{C}$, $V_{DD}=1.8\text{ V}$, $V_{IN}=94\text{ dB(SPL)}$, $f_{CLK}=2.4\text{ MHz}$, and duty cycle=50%.



Filename: fan3850a-1-BD9_2-20110125T122914.dat

Figure 4. Noise vs. Frequency

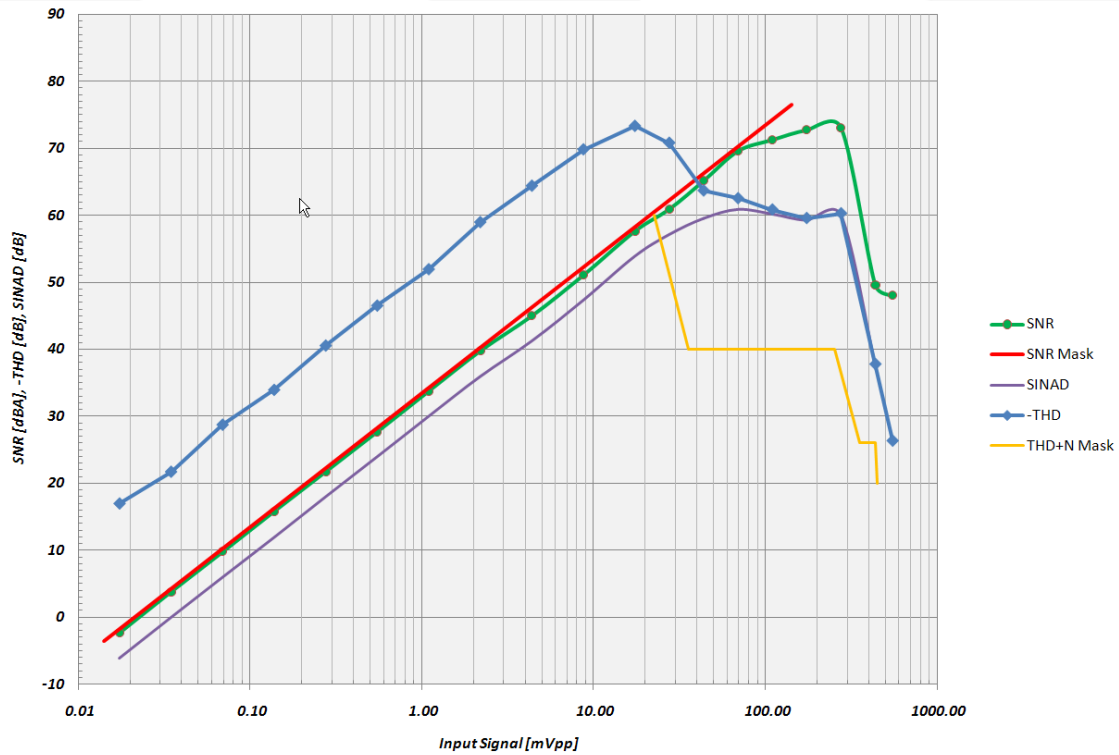


Figure 5. THD, SINAD, and SNR vs. Input Amplitude

Typical Performance Characteristics (Continued)

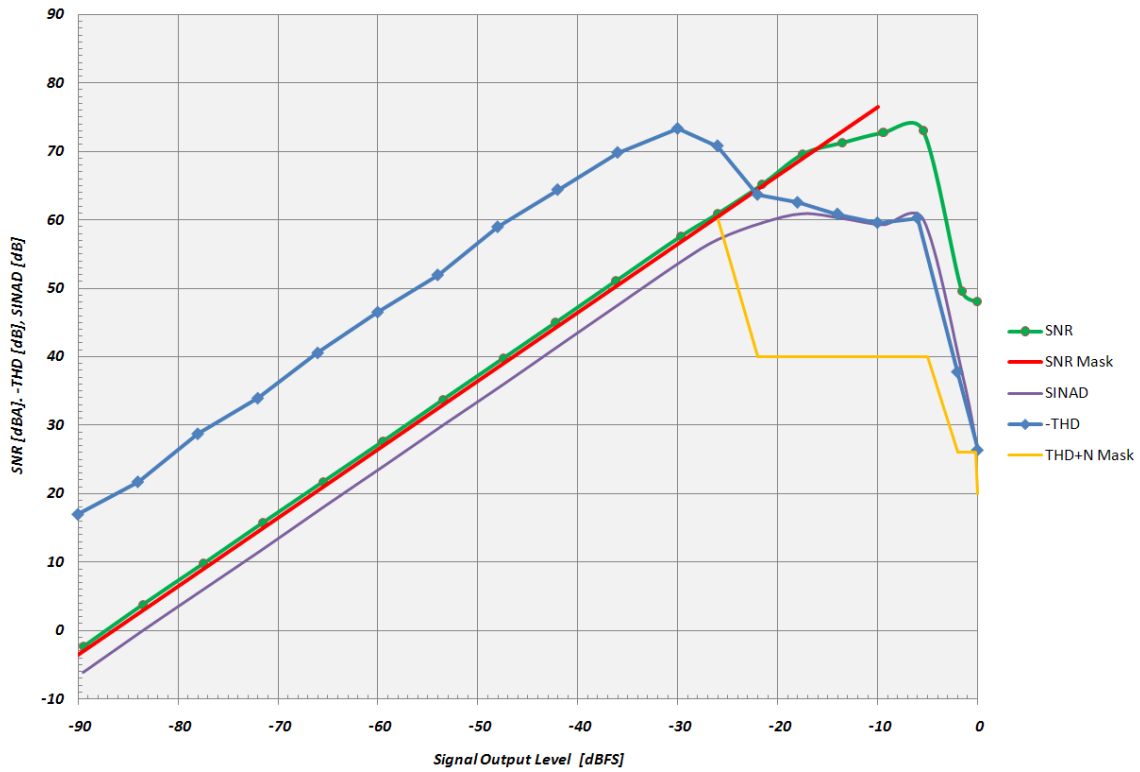


Figure 6. THD, SINAD, and SNR vs. Output Level

Temp (°C)	Delta(dB)
-40	0.1971
-30	0.1644
-20	0.1260
-10	0.0954
0	0.0657
10	0.0359
20	0.0139
25	0.0000
30	-0.0097
40	-0.0344
50	-0.0514
60	-0.0739
70	-0.0998
80	-0.1183
85	-0.1271

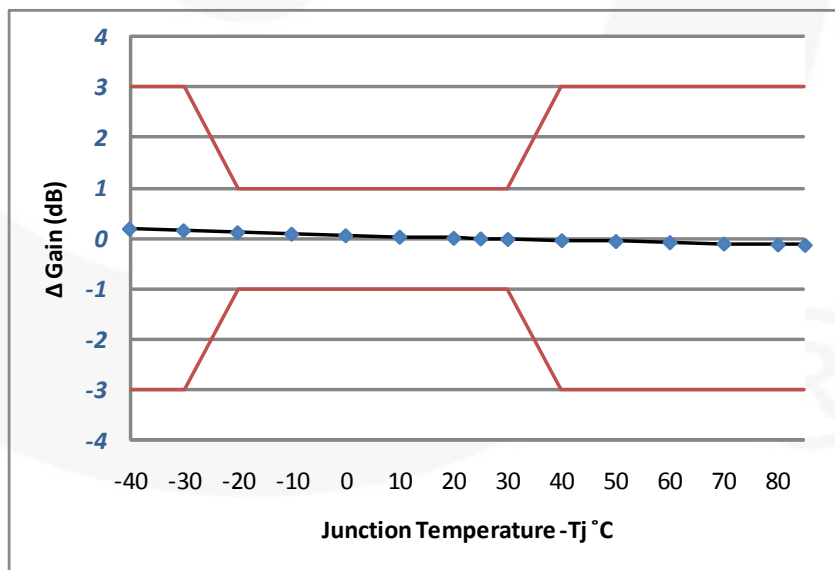


Figure 7. Δ Gain vs. Temperature (Nominal Temperature= 25°C)

Applications Information

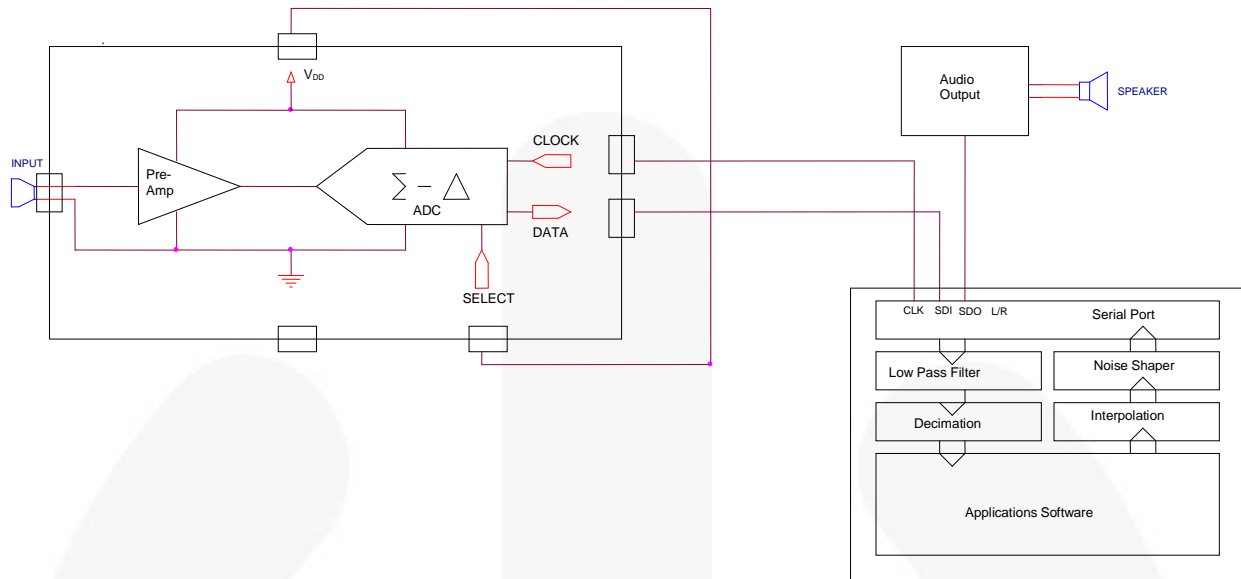


Figure 8. Mono Microphone Application Circuit

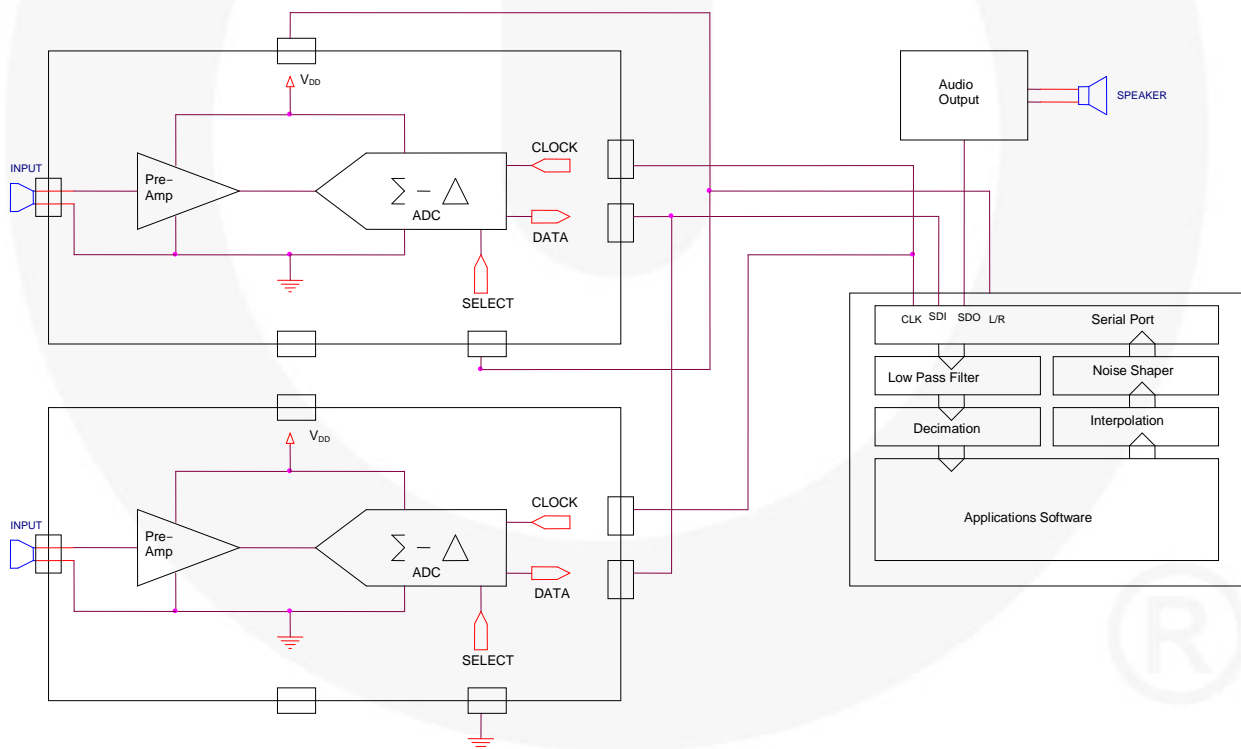


Figure 9. Stereo Microphone Application Circuit

Applications Information (Continued)

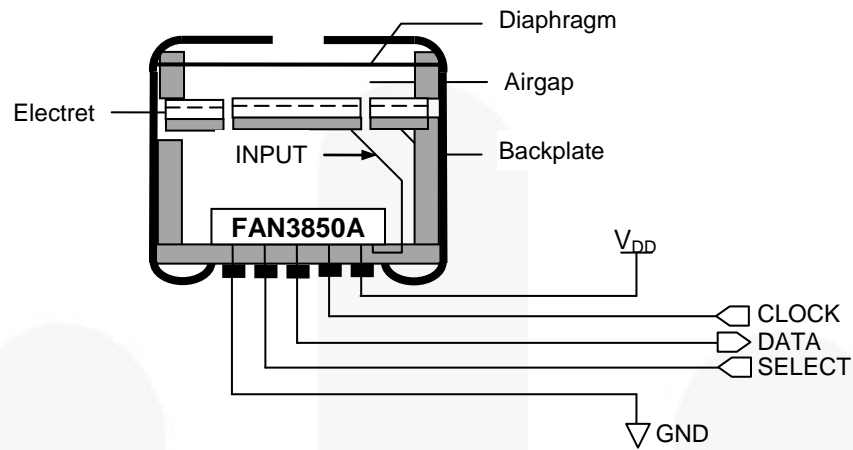


Figure 10. MIC Element Drawing

A 0.1 μF decoupling capacitor is required for V_{DD} . It can be located inside the microphone or on the PCB very close to the V_{DD} pin.

Due to high input impedance, care should be taken to remove all flux used during the reflow soldering process.

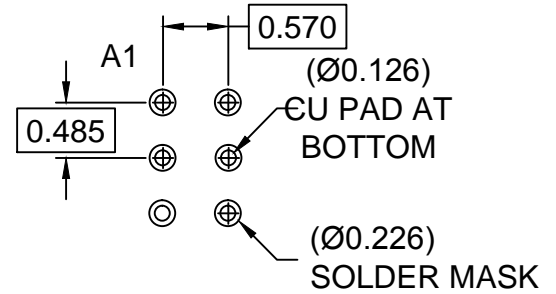
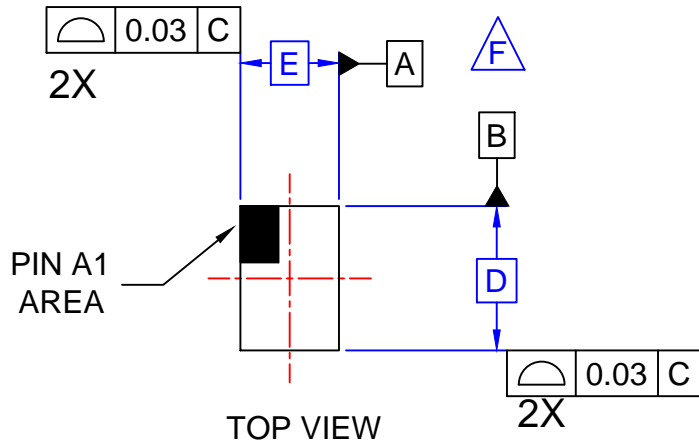
A 100 Ω resistance is recommended on the clock output of the device driving the FAN3850A to minimize ringing and improve signal integrity.

For optimal PSR, route a trace to the V_{DD} pin. Do not place a V_{DD} plane under the device.

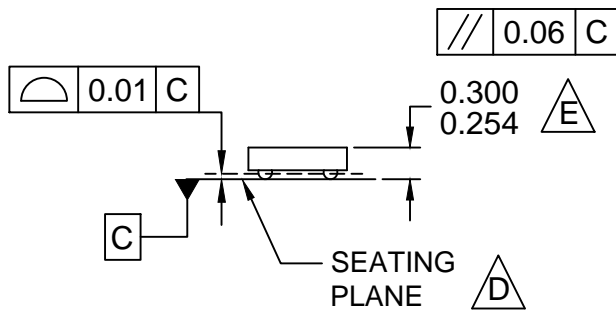
The table below pertains to the Marketing Outline drawing on the following page.

FAN3850A External Product Dimensions

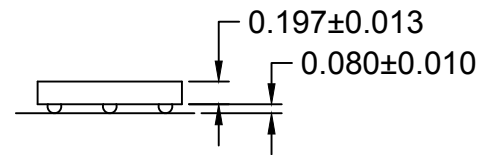
Product ID	D	E	X	Y
All options	1.260mm	0.860mm	0.145mm	0.145mm



RECOMMENDED LAND PATTERN (NSMD)

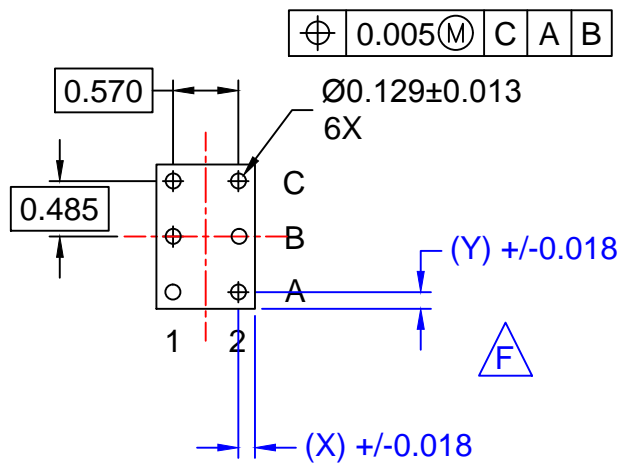


SIDE VIEWS



NOTES:

- A. NO JEDEC REGISTRATION APPLIES.
- B. DIMENSIONS ARE IN MILLIMETERS.
- C. DIMENSIONS AND TOLERANCES PER ASME Y14.5M, 2009.
- D. DATUM C, THE SEATING PLANE IS DEFINED BY THE SPHERICAL CROWNS OF THE BALLS.
- E. PACKAGE TYPICAL HEIGHT IS 273 MICRONS ±23 MICRONS (254-300 MICRONS).
- F. FOR DIMENSIONS D, E, X, AND Y SEE PRODUCT DATASHEET.
- G. DRAWING FILENAME: UC006AHrev4.



BOTTOM VIEW



ON Semiconductor and  are trademarks of Semiconductor Components Industries, LLC dba ON Semiconductor or its subsidiaries in the United States and/or other countries. ON Semiconductor owns the rights to a number of patents, trademarks, copyrights, trade secrets, and other intellectual property. A listing of ON Semiconductor's product/patent coverage may be accessed at www.onsemi.com/site/pdf/Patent-Marking.pdf. ON Semiconductor reserves the right to make changes without further notice to any products herein. ON Semiconductor makes no warranty, representation or guarantee regarding the suitability of its products for any particular purpose, nor does ON Semiconductor assume any liability arising out of the application or use of any product or circuit, and specifically disclaims any and all liability, including without limitation special, consequential or incidental damages. Buyer is responsible for its products and applications using ON Semiconductor products, including compliance with all laws, regulations and safety requirements or standards, regardless of any support or applications information provided by ON Semiconductor. "Typical" parameters which may be provided in ON Semiconductor data sheets and/or specifications can and do vary in different applications and actual performance may vary over time. All operating parameters, including "Typicals" must be validated for each customer application by customer's technical experts. ON Semiconductor does not convey any license under its patent rights nor the rights of others. ON Semiconductor products are not designed, intended, or authorized for use as a critical component in life support systems or any FDA Class 3 medical devices or medical devices with a same or similar classification in a foreign jurisdiction or any devices intended for implantation in the human body. Should Buyer purchase or use ON Semiconductor products for any such unintended or unauthorized application, Buyer shall indemnify and hold ON Semiconductor and its officers, employees, subsidiaries, affiliates, and distributors harmless against all claims, costs, damages, and expenses, and reasonable attorney fees arising out of, directly or indirectly, any claim of personal injury or death associated with such unintended or unauthorized use, even if such claim alleges that ON Semiconductor was negligent regarding the design or manufacture of the part. ON Semiconductor is an Equal Opportunity/Affirmative Action Employer. This literature is subject to all applicable copyright laws and is not for resale in any manner.

PUBLICATION ORDERING INFORMATION

LITERATURE FULFILLMENT:

Literature Distribution Center for ON Semiconductor
19521 E. 32nd Pkwy, Aurora, Colorado 80011 USA
Phone: 303-675-2175 or 800-344-3860 Toll Free USA/Canada
Fax: 303-675-2176 or 800-344-3867 Toll Free USA/Canada
Email: orderlit@onsemi.com

N. American Technical Support: 800-282-9855 Toll Free
USA/Canada
Europe, Middle East and Africa Technical Support:
Phone: 421 33 790 2910
Japan Customer Focus Center
Phone: 81-3-5817-1050

ON Semiconductor Website: www.onsemi.com
Order Literature: <http://www.onsemi.com/orderlit>
For additional information, please contact your local
Sales Representative

Looking for pricing, stock, or lifecycle information?

Click below to explore more details on WIN SOURCE:

- ⊖ [View FAN3850AUC16X on WIN SOURCE](#)
- ⊖ [Fairchild/ON Semiconductor Information](#)

Optimize Your Supply Chain with WIN SOURCE Solutions

- ✓ Global Sourcing Solution
- ✓ Obsolete Management
- ✓ Cost Control Management
- ✓ Shortage Management
- ✓ Alternative Solution
- ✓ Excess Inventory Management