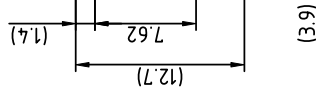




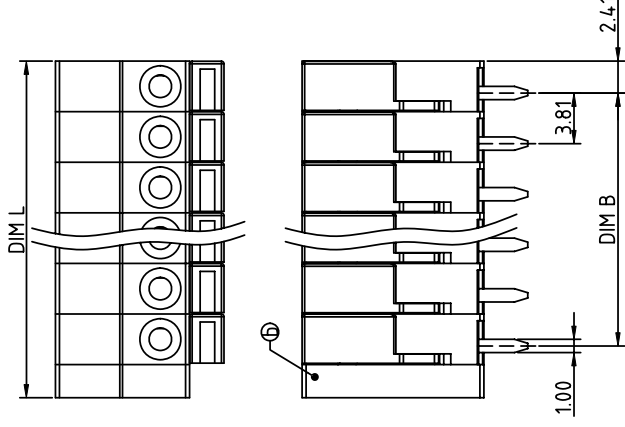
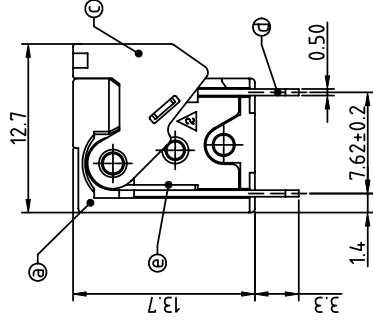
**THE DATASHEET OF  
HA087050000G**



PRODUCT NUMBER	PITCH
HAxx70x00J0G	3.81 mm



(3.9)



- Material
- Item@T
  - Item@T
  - Item@T
  - Item@S
  - Item@S
- Electrical
- Voltage
  - Current
  - Solid wir
  - Stranded
  - Wire str
  - Withstair
  - Operatin
  - Solderin
  - Safety /

N=Number of poles  
Dim L = N x 3.81 + 2.5  
Dim B = (N - 1) x 3.81

POLES	Tolerance
2-5p	±0.10
6-10p	±0.15
11-15p	±0.20
16-20p	±0.25
21-24p	±0.30

PART NO.: HA xx 70 x 0 00J0 G

- End stackable 0
  - No. of poles 02 2 poles
  - 03 3 poles
  - ... ..
  - 24 24 poles
- Color
  - Black (RAL9005)
  - Red (RAL3001/D)
  - Orange(RAL2011/P)
  - Yellow(RAL1018/A)
  - Green(RAL6018/T)
  - Blue (RAL5015/A)
  - Grey(RAL7004/P)
  - White(RAL1102)
  - C Multiple colors
- RoHS compliant (lead<4% in copper Alloy)

mat'l. code		surface		tolerances unless oth	
ltr	ecn no	dr	date	it	A
				angles	>
				X	X
				X'±1'	X
				dr	EVIN ZHON
				engr	EVIN ZHON
				chr	HANKE FEN
				appd	SHI JUN
sheet	revision	A			
index	sheet	1			

form: A4mmXLc

1

2

PDS: Rev

## Looking for pricing, stock, or lifecycle information?

Click below to explore more details on WIN SOURCE:

- ⊖ [View HA087050000G on WIN SOURCE](#)
- ⊖ [Amphenol Anytek Information](#)

## Optimize Your Supply Chain with WIN SOURCE Solutions

- ✓ Global Sourcing Solution
- ✓ Obsolete Management
- ✓ Cost Control Management
- ✓ Shortage Management
- ✓ Alternative Solution
- ✓ Excess Inventory Management