



**THE DATASHEET OF
EDSTL976/3**

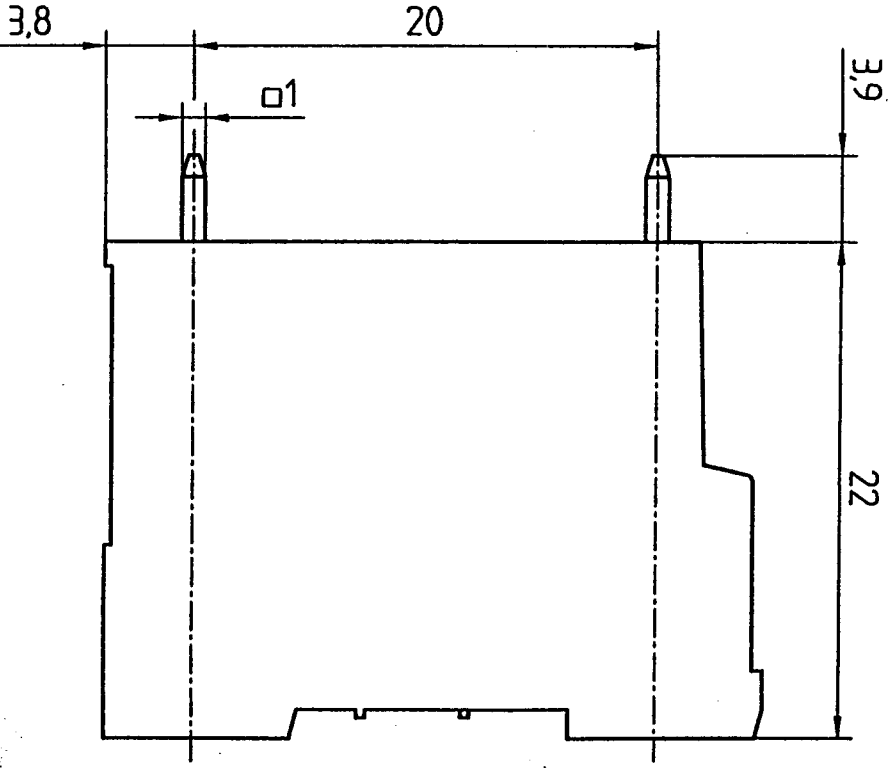
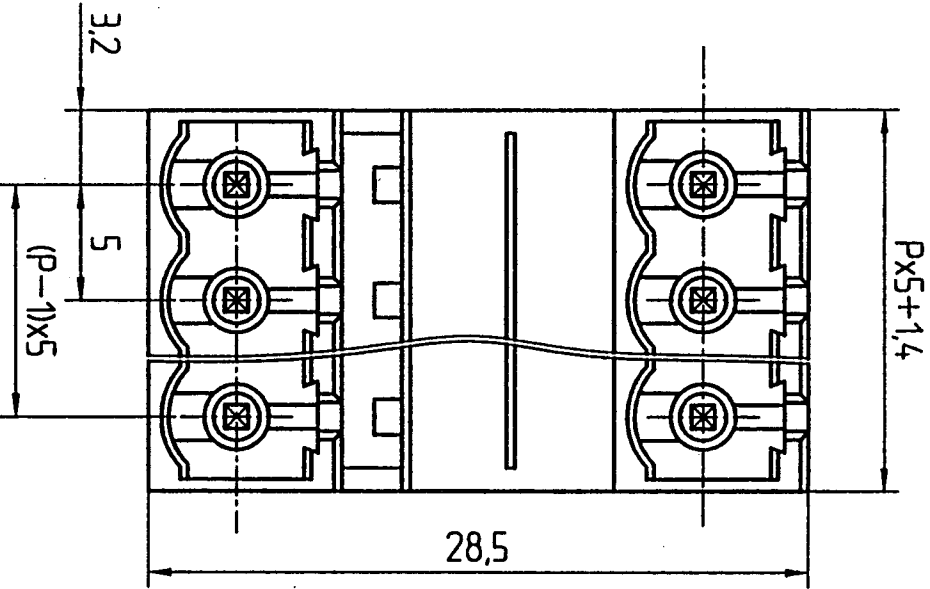


VB

V

m

1V-0
C/+105°C



Part Number
EDSTL976/ * *

Units
 mm

Drawing

Reviewed

Approved

Date
 1/23/98
 Sheet 1 of 1
 Rev A

Looking for pricing, stock, or lifecycle information?

Click below to explore more details on WIN SOURCE:

- ⊖ [View EDSTL976/3 on WIN SOURCE](#)
- ⊖ [On Shore Technology Inc. Information](#)

Optimize Your Supply Chain with WIN SOURCE Solutions

- ✓ Global Sourcing Solution
- ✓ Obsolete Management
- ✓ Cost Control Management
- ✓ Shortage Management
- ✓ Alternative Solution
- ✓ Excess Inventory Management