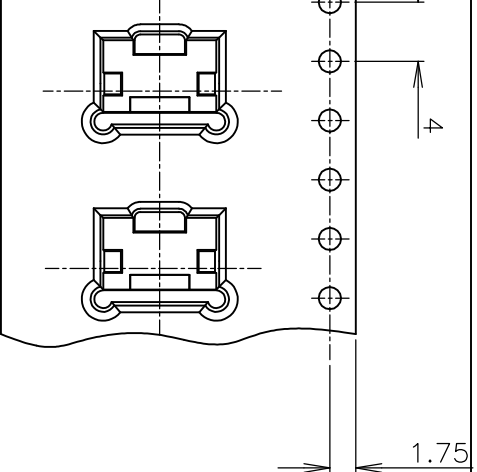




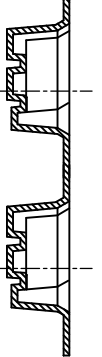
**THE DATASHEET OF
2013499-1**



REVISED.		JAN. 2007.		3		2		1	
REVOLUTIONS					REVISIONS				
P	LTR	DESCRIPTION	DATE	DWN	APVD				
-	-	SEE SHEET 1	-	-	-				



TOP OF REEL →



カバーテープリーダー部
外周1巻
WIDE COVER TAPE AROUND
OUT PERIPHERY 1 TURN

引き出し方向
TOP OF REEL

剥離強度 0.1-1.3N MAX(300±10mm/min)
PEELING STRENGTH
剥離強度 165~180°
PEELING ANGLE

1000個/リール
1000EA/REEL

HOLES
8穴



THIS DRAWING IS A CONTROLLED DOCUMENT.

DIMENSIONS:
単位: 特
MM

TOLERANCES UNLESS
OTHERWISE SPECIFIED:
一般公差

0 PLC	± 0.2
1 PLC	± 0.2
2 PLC	± 0.2
3 PLC	± 0.2
4 PLC	± 0.2
ANGLES	± 10

MATERIAL
材料

FINISH
仕上



TE Connectivity Ltd.

MICRO USB

RECEPTACLE DIP TYPE B

ASSY

NAME
名称

SIZE
寸法

CAGE CODE
番号

DRAWING NO
番号

RESTRICTED TO

APVD

PRODUCT SPEC
製品規格

APPLICATION SPEC
取付適用規格

WEIGHT

CUSTOMER DRAWING

A

B

C

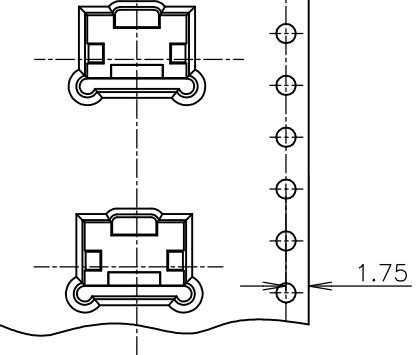
D

SCALE 2.1

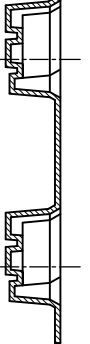
SHEET 2 OF 3

REV B5

REVISIONS 変更					
P	LTR	DESCRIPTION	DATE	DWN	APVD
-	-	SEE SHEET 1	-	-	-

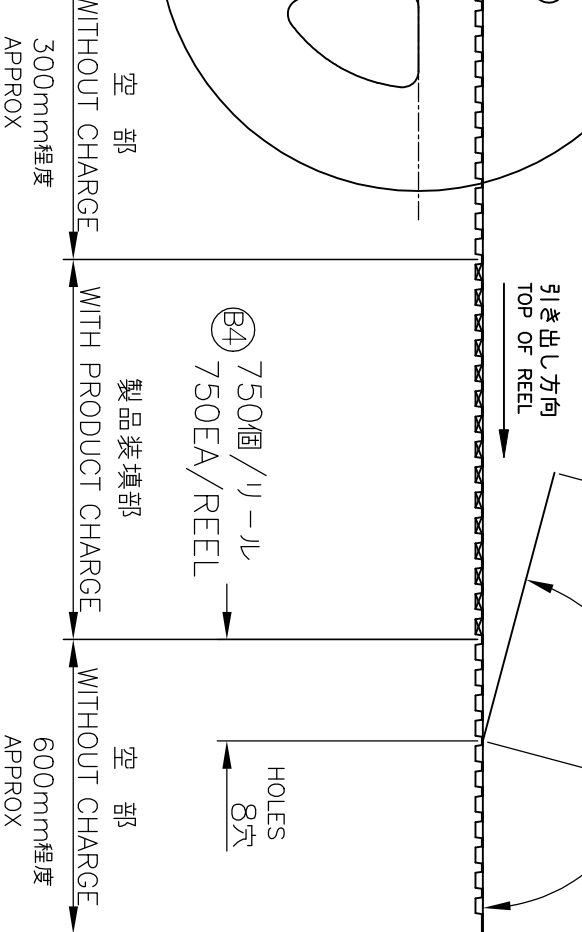


TOP OF REEL →



Ⓑ4 2013499-3 AS SHOWN

剥離強度 0.1-1.3N MAX(300±10mm/min)
PEELING STRENGTH
剥離強度 165~180°
PEELING ANGLE



THIS DRAWING IS A CONTROLLED DOCUMENT.

DIMENSIONS:
単位: 柁
MM

TOLERANCES UNLESS
OTHERWISE SPECIFIED:
一般公差

0	PLC	± 0.2
1	PLC	± 0.2
2	PLC	± 0.2
3	PLC	± 0.2
4	PLC ANGLES	± 0.2
FINISH		± 10
MATERIAL		材料 仕上



TE Connectivity Ltd.

MICRO USB

RECEPTACLE DIP TYPE B

ASSY

DWN	J.TSUJI	22OCT2007
CHK	T.KUSUHARA	22OCT2007
APVD	T.KUSUHARA	22OCT2007
PRODUCT SPEC	製品規格	08-78434
APPLICATION SPEC	取付適用規格	
WEIGHT		

NAME 名称	MICRO USB RECEPTACLE DIP TYPE B ASSY		
SIZE	A3	CAGE CODE	00779
DRAWING NO	2013499		
SCALE	8:1	SHEET	3 OF 3
RESTRICTED TO	REV B5		

CUSTOMER DRAWING

Looking for pricing, stock, or lifecycle information?

Click below to explore more details on WIN SOURCE:

[View 2013499-1 on WIN SOURCE](#)

[TE Connectivity Information](#)

Optimize Your Supply Chain with WIN SOURCE Solutions

- ✓ Global Sourcing Solution
- ✓ Obsolete Management
- ✓ Cost Control Management
- ✓ Shortage Management
- ✓ Alternative Solution
- ✓ Excess Inventory Management