



**THE DATASHEET OF
CL2-30-12**



Class 2 Transformers designed for Printed Circuit Mounting



Inherently or Non-Inherently Limited



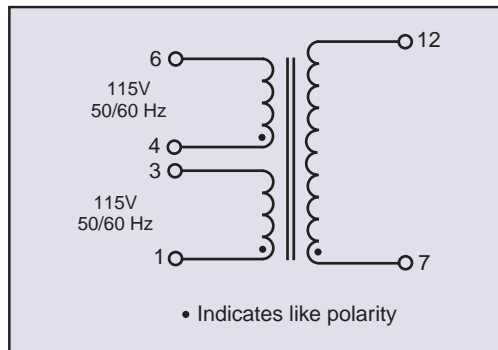
Signal's CL2 transformers are available in printed circuit and chassis mount versions. They are supplied as inherently or non-inherently limited units that are UL 1585 / UL 5085 recognized.

General Specifications

- Power - 2.5 VA to 50 VA
- Dielectric Strength - 4000 Vrms Hipot
- Primaries - Dual primaries, 115/230 V, 50/60 Hz,
- Secondaries - Single secondary
- Class 2 Rating - inherently or non-inherently limited (secondary fuse requirements below)
- Electrostatic Shield - Not necessary, split or dual bobbin construction
- Insulation System - Class F insulation, 155° C
- Flammability Rating - Bobbin and shroud material meet UL 94V0

Agency Certifications

- UL recognized to UL 1585 / UL 5085-3 Class 2, File # E116583
- CSA certified to C22.2 #66.1



Primaries are designed to be used simultaneously. That is, they must be used either series or parallel connected (as one winding).

Part Number	Secondary RMS Rating	Secondary Fuse Required
CL2-2.5R-12	12V @ 0.20A	N/A*
CL2-2.5R-24	24V @ 0.10A	N/A*
CL2-5.0R-12	12V @ 0.42A	N/A*
CL2-5.0R-24	24V @ 0.20A	N/A*
CL2-10R-12	12V @ 0.83A	N/A*
CL2-10R-24	24V @ 0.42A	N/A*
CL2-20-12	12V @ 1.66A	N/A*
CL2-20-24	24V @ 0.833A	N/A*
CL2-30-12	12V @ 2.50A	3.0A**
CL2-30-24	24V @ 1.25A	1.75A**
CL2-50-12	12V @ 4.20A	5.0A**
CL2-50-24	24V @ 2.10A	2.5A**

* Inherently limited
 ** Non-inherently limited
 Maximum secondary fuse value specified
 All primaries are 115/230 V, 50/60 Hz

Custom versions available upon request.

©2015 Signal Transformer Inc. Specifications subject to change without notice. 07.15

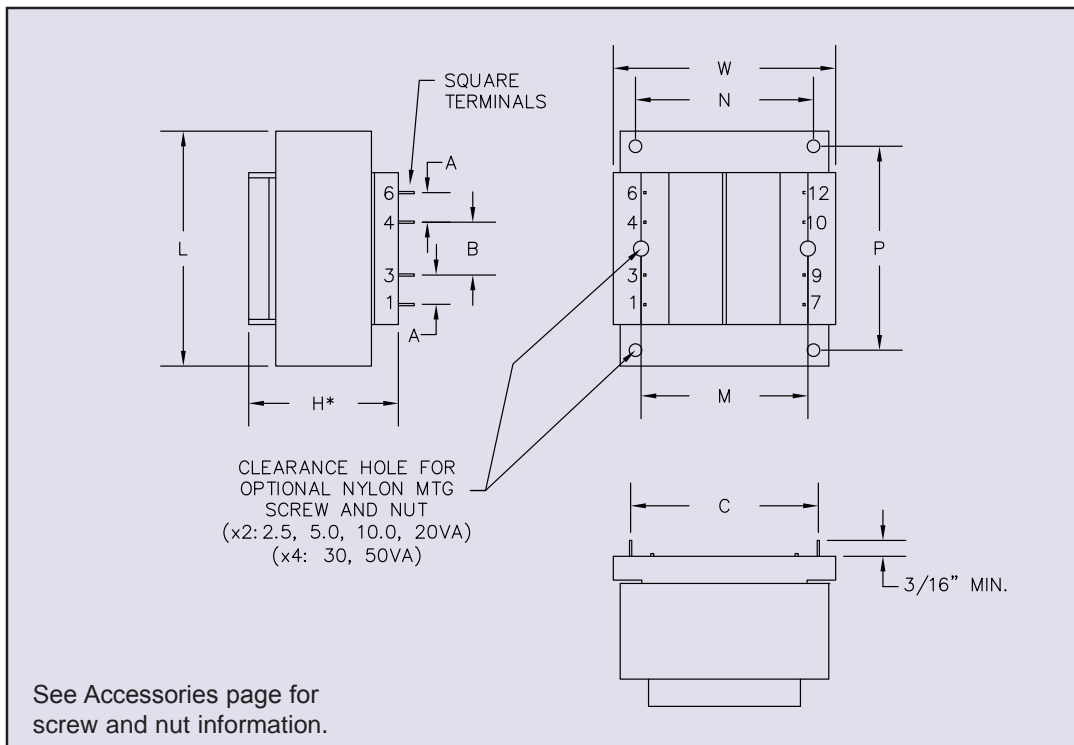


www.signaltransformer.com

500 Bayview Avenue, Inwood, NY 11096
 Toll Free 866-239-5777 • Tel 516-239-5777 • Fax 516-239-7208
 sales@signaltransformer.com • techhelp@signaltransformer.com

Class 2 Transformers designed for Printed Circuit Mounting

Inherently or Non-Inherently Limited



VA	Dimensions						Sq. Pin Dimension	Mounting Dimensions			Mounting Screw		Weight
	L	W	H*	A	B	C		Inches (mm)			Size	Qty	
Size	Inches (mm)							M	N	P			lbs (kg)
2.5	1.62 (41.3)	1.43 (36.5)	1.12 (28.6)	.20 (5.1)	.25 (6.4)	1.00 (25.4)	0.025 (0.64)	1.06 (26.9)	-	-	#4	2	0.25 (0.11)
5.0	1.62 (41.3)	1.43 (36.5)	1.37 (34.9)	.20 (5.1)	.40 (10.2)	1.00 (25.4)	0.025 (0.64)	1.06 (26.9)	-	-	#4	2	0.37 (0.17)
10.0	1.87 (47.6)	1.56 (39.7)	1.37 (34.9)	.20 (5.1)	.40 (10.2)	1.14 (29.0)	0.036 (0.91)	1.25 (31.8)	-	-	#4	2	0.53 (0.24)
20.0	2.25 (57.2)	1.87 (47.6)	1.62 (41.3)	.40 (10.2)	.40 (10.2)	1.46 (37.1)	0.036 (0.91)	1.50 (38.1)	-	-	#4	2	0.90 (0.41)
30.0	2.62 (66.7)	2.18 (55.5)	1.56 (39.7)	.55 (14.0)	.27 (7.0)	1.68 (42.7)	0.045 (1.02)	-	1.75 (44.5)	2.18 (55.5)	#6	4	1.15 (0.52)
50.0	3.00 (76.2)	2.50 (63.5)	1.83 (46.5)	.60 (15.2)	.30 (7.6)	1.90 (48.3)	0.045 (1.02)	-	2.00 (50.8)	2.50 (63.5)	#6	4	1.70 (0.77)

*Note: Dimension H represents the total distance from the seating plane to the uppermost surface, stand offs and/or risers inclusive.

Custom versions available upon request.

©2015 Signal Transformer Inc. Specifications subject to change without notice. 07.15



www.signaltransformer.com

500 Bayview Avenue, Inwood, NY 11096
Toll Free 866-239-5777 • Tel 516-239-5777 • Fax 516-239-7208
sales@signaltransformer.com • techhelp@signaltransformer.com

Looking for pricing, stock, or lifecycle information?

Click below to explore more details on WIN SOURCE:

- ⊖ [View CL2-30-12 on WIN SOURCE](#)
- ⊖ [Signal Transformer Information](#)

Optimize Your Supply Chain with WIN SOURCE Solutions

- ✓ Global Sourcing Solution
- ✓ Obsolete Management
- ✓ Cost Control Management
- ✓ Shortage Management
- ✓ Alternative Solution
- ✓ Excess Inventory Management