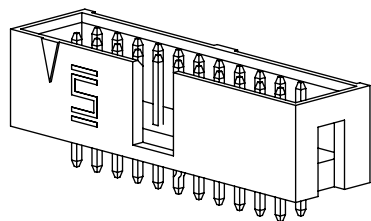




DO NOT SCALE FROM THIS PRINT



HTST-1XX-XX-XX-D-XX-XX

**No OF POSITIONS**  
 -02 (STRAIGHT ONLY)  
 -03 THRU -18, -20, -24,  
 -25, -28, -30, -32 & -36

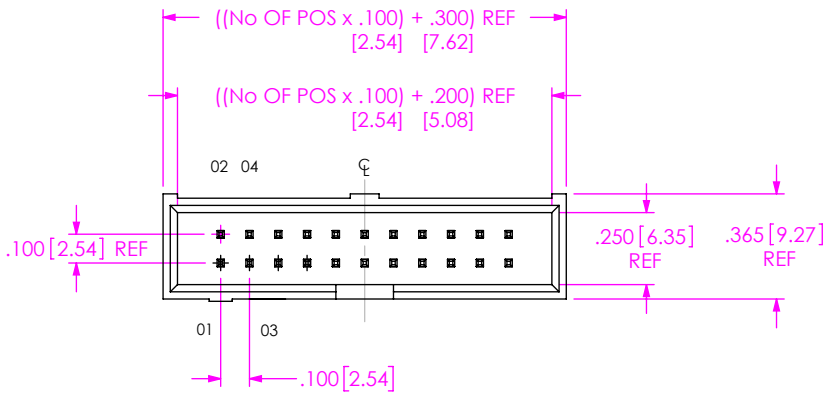
**LEAD STYLE**  
 SEE TABLE 1  
 & TABLE 2

**POLARIZATION OPTION**  
 -XX: INDICATES POSITION OMITTED

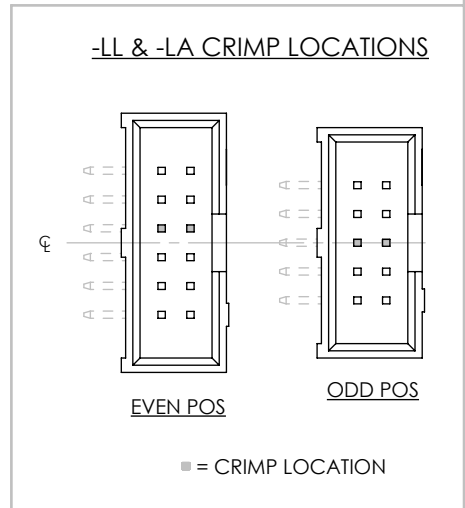
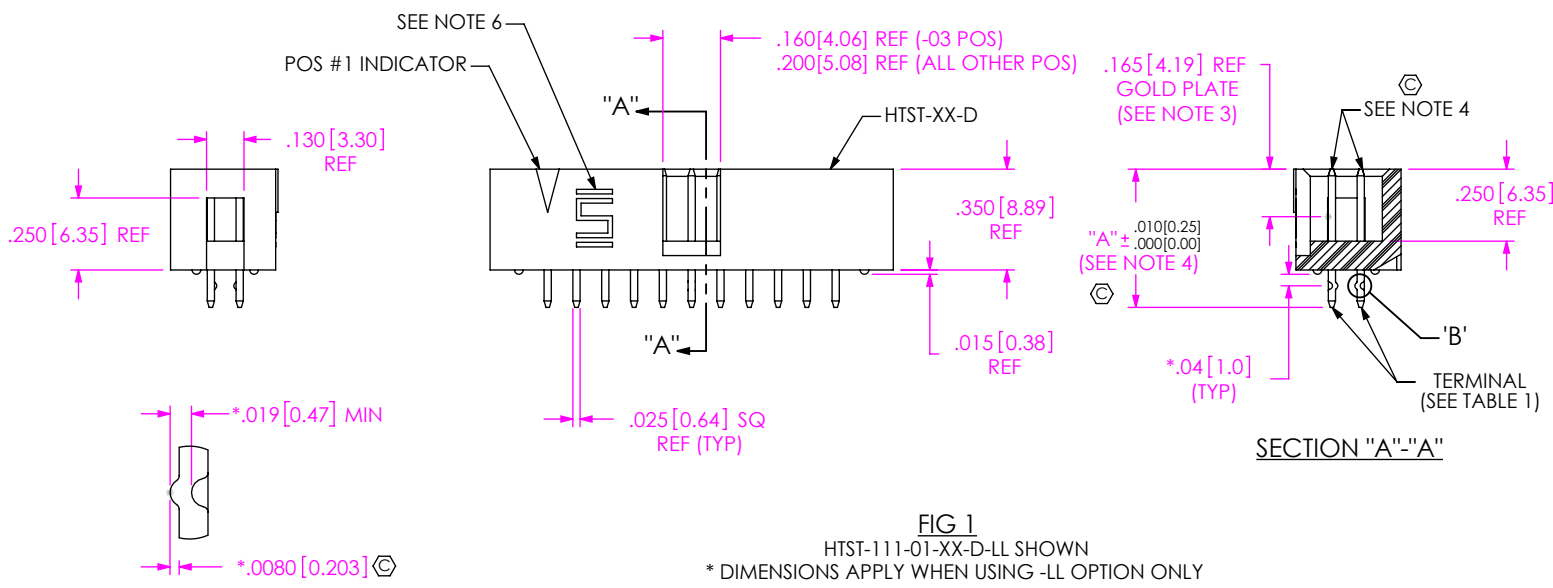
**OPTION**  
 BLANK: STRAIGHT (STYLES -04 & -05 N/A)  
 -RA: RIGHT ANGLE (STYLES -01, -02 & -03 N/A)  
 -LL: LOCKING LEAD (STRAIGHT ONLY)  
 -LA: -RA OPTION WITH -LL OPTION

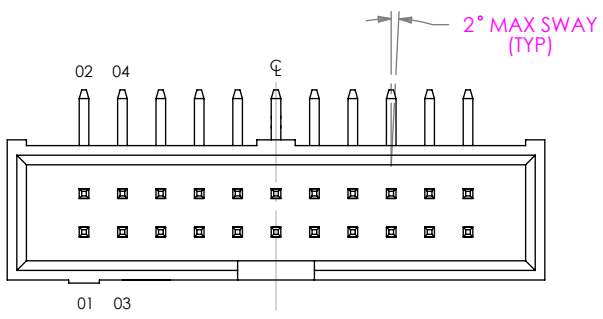
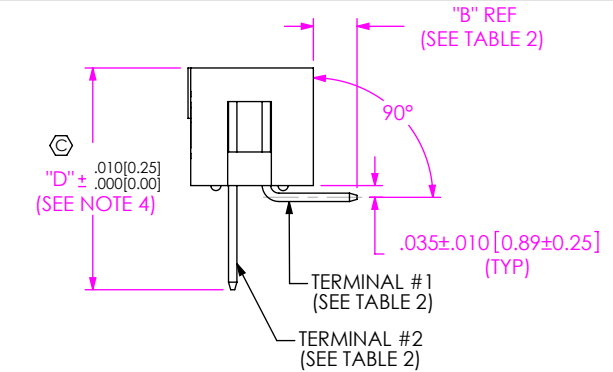
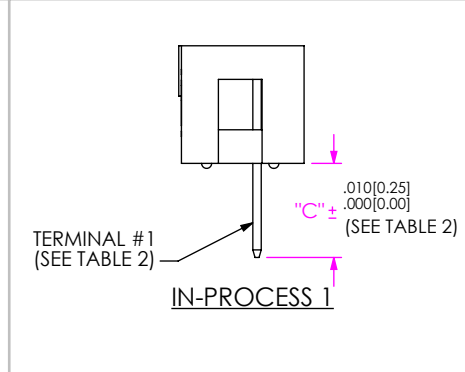
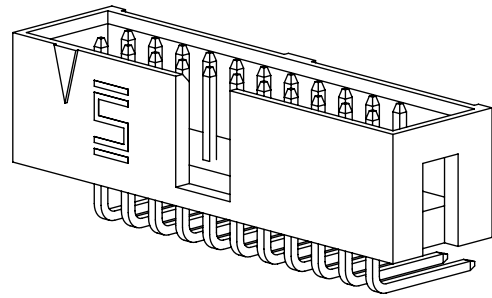
**ROW SPECIFICATION**  
 -D: DOUBLE ROW  
 (USE HTST-XX-D)

**PLATING SPECIFICATION**  
 -G: GOLD, 10 Au / 50 Ni MIN ON CONTACT, 3 Au / 50 Ni MIN ON TAIL  
 -T: MATTE TIN, CONTACT AND TAIL  
 -S: SELECTIVE, 30 Au / 50 Ni MIN ON CONTACT, MATTE TIN TAIL  
 -L: LIGHT SELECTIVE, 10 Au / 50 Ni MIN ON CONTACT, MATTE TIN TAIL  
 -H: HEAVY GOLD, 30 Au / 50 Ni MIN ON CONTACT, 3Au / 50 Ni MIN ON TAIL  
 -F: FLASH SELECTIVE, 3 Au / 50 Ni ON CONTACT, MATTE TIN TAIL  
 -TM: MATTE TIN CONTACT AND TAIL  
 -SM: SELECTIVE, 30 Au / 50 Ni ON CONTACT, MATTE TIN TAIL  
 -FM: FLASH SELECTIVE, 3 Au / 50 Ni MIN ON CONTACT, MATTE TIN TAIL  
 -LM: LIGHT SELECTIVE, 10 Au / 50 Ni MIN, MATTE TIN TAIL

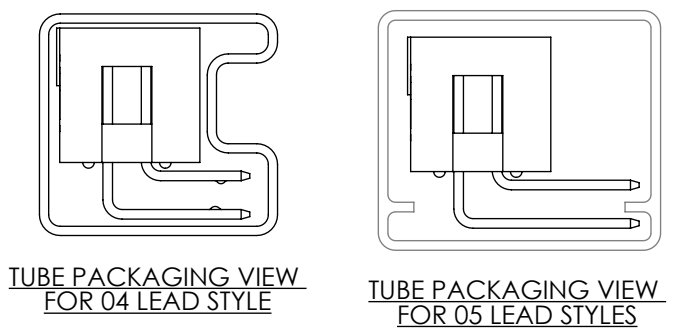
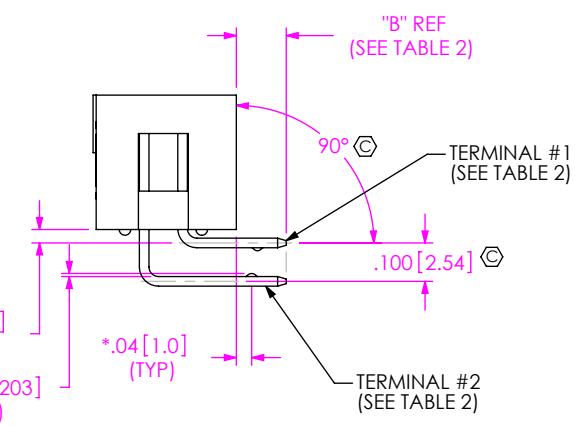
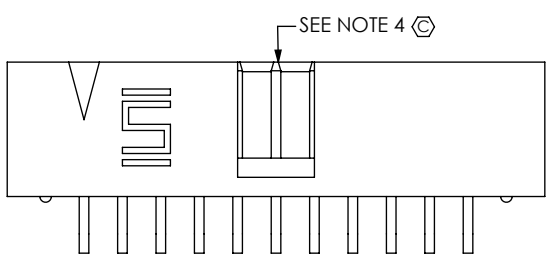


| LEAD STYLE | "A"          | TERMINAL      |
|------------|--------------|---------------|
| -01        | .480 [12.19] | T-1S6-17-XX-2 |
| -02        | .530 [13.46] | T-1S6-08-XX-2 |
| -03        | .930 [23.62] | T-1S6-11-XX-2 |





**FIG 2**  
-RA & -LA OPTIONS  
(HTST-111-04-XX-D-LA SHOWN)  
(SAME AS FIG 1, UNLESS OTHERWISE STATED)  
\* DIMENSIONS APPLY WHEN USING -LA OPTION ONLY



| LEAD STYLE | "B"        | "C"        | "D"         | TERMINAL #1   | TERMINAL #2   |
|------------|------------|------------|-------------|---------------|---------------|
| -04        | .130[3.30] | .280[7.11] | .830[21.08] | T-1S6-15-XX-2 | T-1S6-10-XX-2 |
| -05        | .230[5.84] | .380[9.65] | .930[23.62] | T-1S6-09-XX-2 | T-1S6-11-XX-2 |

| Lead Style | Packaging | TUBES           | PLUG  |
|------------|-----------|-----------------|-------|
| -01        | Bulk      | N/A             | N/A   |
| -02        | Bulk      | N/A             | N/A   |
| -03        | Bulk      | N/A             | N/A   |
| -04        | Tube      | PT-1-24-01-40   | TP-13 |
| -05        | Tube      | PT-1-24-12T-109 | TP-28 |

**PROPRIETARY NOTE**  
THIS DOCUMENT CONTAINS CONFIDENTIAL AND PROPRIETARY INFORMATION AND ALL DESIGN, MANUFACTURING, REPRODUCTION, USE, PATENT RIGHTS AND SALES RIGHTS ARE EXPRESSLY RESERVED BY SAMTEC, INC. THIS DOCUMENT SHALL NOT BE DISCLOSED, IN WHOLE OR PART, TO ANY UNAUTHORIZED PERSON OR ENTITY NOR REPRODUCED, TRANSFERRED OR INCORPORATED IN ANY OTHER PROJECT IN ANY MANNER WITHOUT THE EXPRESS WRITTEN CONSENT OF SAMTEC, INC.



520 PARK EAST BLVD, NEW ALBANY, IN 47150  
PHONE: 812-944-6733 FAX: 812-948-5047  
e-Mail: info@SAMTEC.com code: 55322

DO NOT SCALE DRAWING  
SHEET SCALE: 2:1



DESCRIPTION:  
HIGH TEMP TOP SHROUD TERMINAL STRIP  
DWG. NO.

**HTST-1XX-XX-XX-D-XX-XX**

BY: BRATCHER 01/16/04 SHEET 2 OF 2

## Looking for pricing, stock, or lifecycle information?

Click below to explore more details on WIN SOURCE:

-  [View HTST-105-05-G-D-RA on WIN SOURCE](#)
-  [Samtec Inc. Information](#)

## Optimize Your Supply Chain with WIN SOURCE Solutions

-  Global Sourcing Solution
-  Obsolete Management
-  Cost Control Management
-  Shortage Management
-  Alternative Solution
-  Excess Inventory Management