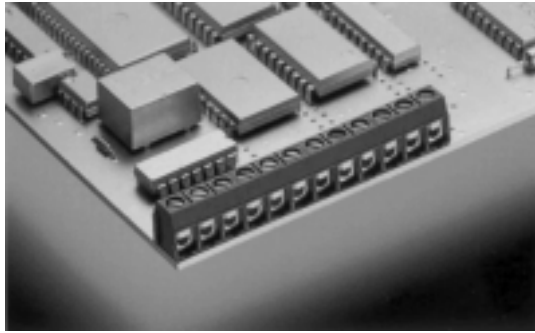




# THE DATASHEET OF ED500/5DS



**ED500/X (5.0 mm)  
EDZ500/X (5.08 mm)**



2-12 poles, Spacing 5.0 mm or 5.08 mm  
insert required no. of poles **x**  
How to order see page 5



**Ratings:**

Rated Voltage	<b>300V</b>	<b>250 V</b>
Rated Current	<b>15 A</b>	<b>17.5 A (T60)</b>
Wire Size	<b>AWG 22-14</b>	<b>1.5 mm<sup>2</sup></b>
Test Voltage		<b>2.0 kV</b>
Rated Torque/ScrewSize		<b>0.4 Nm/M2.6</b>

**Max. Rated Cross Section**

Single Wire (solid)	<b>1.5 mm<sup>2</sup></b>
Stranded Wire (flexible)	<b>1.5 mm<sup>2</sup></b>
Stranded wire with Ferrules	<b>0.75 mm<sup>2</sup></b>

**Dimensions**

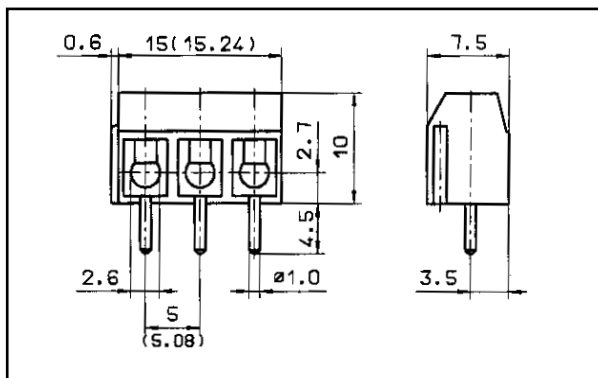
Spacing	<b>5.0 mm (5.08 mm)</b>
PCB Hole Diameter	<b>1.3 mm</b>
Stripped Length	<b>6.0 mm</b>

**Materials**

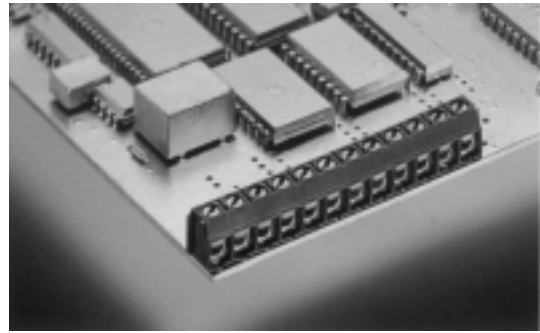
Insulating Material	<b>PA</b>
Flammability Class	<b>UL94 V-0</b>
Temperature Range	<b>-30°C/+105°C</b>
Terminal Block	<b>CuZn</b>
Wire Guard	<b>Stainless Steel</b>

**Color**

Blue



**ED500/XDSBL**



2-12 poles, Spacing 5.0 mm  
insert required no. of poles **x**  
How to order see page 5



**Ratings:**

Rated Voltage	<b>300V</b>	<b>250 V</b>
Rated Current	<b>15 A</b>	<b>17.5 A (T60)</b>
Wire Size	<b>AWG 22-14</b>	<b>1.5 mm<sup>2</sup></b>
Test Voltage		<b>2.0 kV</b>
Rated Torque/ScrewSize		<b>0.4 Nm/M2.6</b>

**Max. Rated Cross Section**

Single Wire (solid)	<b>1.5 mm<sup>2</sup></b>
Stranded Wire (flexible)	<b>1.5 mm<sup>2</sup></b>
Stranded wire with Ferrules	<b>0.75 mm<sup>2</sup></b>

**Dimensions**

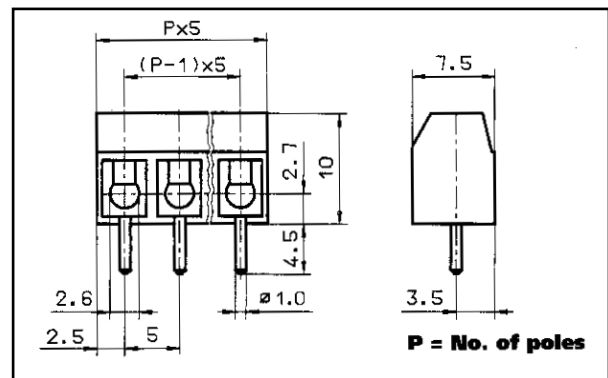
Spacing	<b>5.0 mm</b>
PCB Hole Diameter	<b>1.3 mm</b>
Stripped Length	<b>6.0 mm</b>

**Materials**

Insulating Material	<b>PA</b>
Flammability Class	<b>UL94 V-0</b>
Temperature Range	<b>-30°C/+105°C</b>
Terminal Block	<b>CuZn</b>
Wire Guard	<b>Stainless Steel</b>

**Color**

Grey



## Looking for pricing, stock, or lifecycle information?

Click below to explore more details on WIN SOURCE:

- ⊖ [View ED500/5DS on WIN SOURCE](#)
- ⊖ [On Shore Technology Inc. Information](#)

## Optimize Your Supply Chain with WIN SOURCE Solutions

- ✓ Global Sourcing Solution
- ✓ Obsolete Management
- ✓ Cost Control Management
- ✓ Shortage Management
- ✓ Alternative Solution
- ✓ Excess Inventory Management