



**THE DATASHEET OF
NX3215SA-32.768K-STD-MUA-14**



NX3215SA

For OA / AV / Mobile Communication / Automotives

■ Features

- Compact, thin, and light weight tuning fork crystal unit.
- Excellent heat resistance and environmental characteristics.
- RoHS compliant. These can meet the requirements of re-flow profiling using lead-free solder.
- Use a metal lid: Excellent shock resistance during chip mounting process comparing to a glass lid.
- Excellent electric performance optimum for mobile communications, OA (office automation) and AV (audiovisual) applications are exhibited. (For OA / AV / Mobile Communication)
- Conforms to AEC-Q200. (For Automotives)



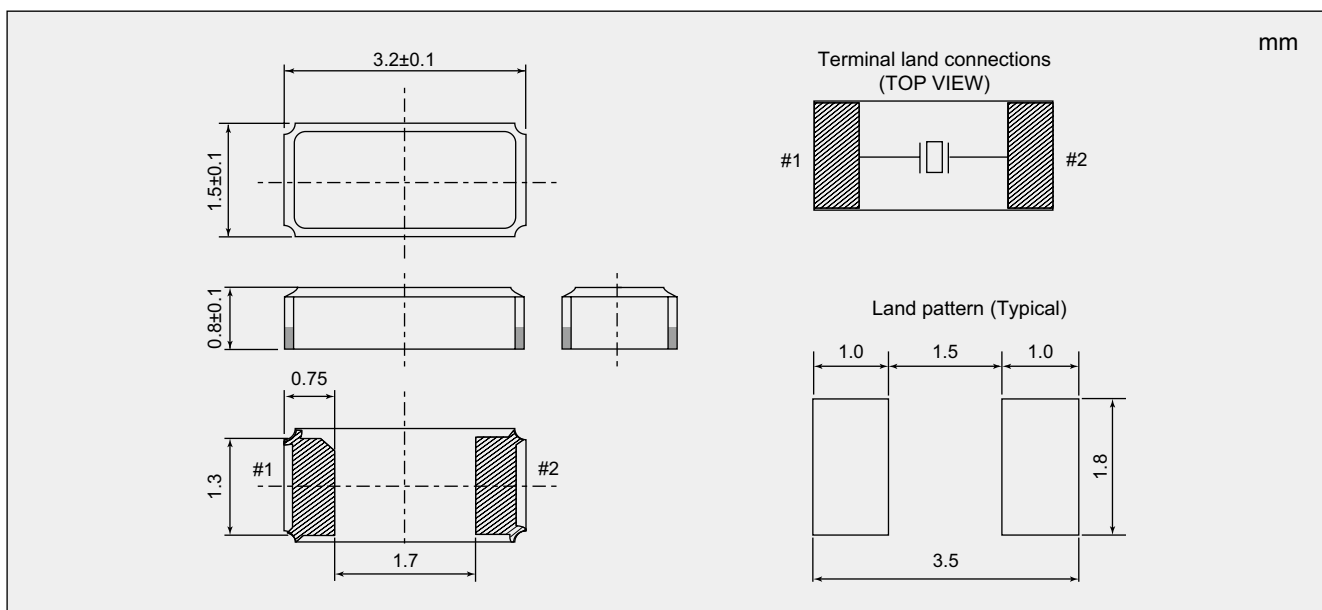
Pb Free

RoHS Compliant
Directive 2011/65/EU

■ Specifications

Item	Model			
	NX3215SA			
Main Application	For OA / AV / Mobile Communication		For Automotive	
Nominal Frequency	32.768kHz			
Operating Temperature Range	-40 to +85°C		-40 to +125°C	
Storage Temperature Range	-40 to +85°C		-40 to +125°C	
Level of Drive	0.1μW (Max. 0.5μW)			
Frequency Tolerance (25 ±3 °C)	±20 × 10 ⁻⁶			
Turning Point	+25°C ± 5°C			
Temperature Coefficient	-0.04 × 10 ⁻⁶ /°C ² Max.			
Load Capacitance	6.0pF	9.0pF	12.5pF	12.5pF
Equivalent Series Resistance	Max. 70kΩ		Max. 80kΩ	
Shunt Capacitance	Typ. 1.0pF / Max. 1.5pF			
Insulation Resistance	Min. 500MΩ			
Specifications Number	STD-MUA-14	STD-MUA-9	STD-MUA-8	STD-MUS-2

■ Dimensions



Please specify the model name, frequency, and specification number when you order products.
For further questions regarding specifications, please feel free to contact us.

Looking for pricing, stock, or lifecycle information?

Click below to explore more details on WIN SOURCE:

-  [View NX3215SA-32.768K-STD-MUA-14 on WIN SOURCE](#)
-  [NDK Information](#)

Optimize Your Supply Chain with WIN SOURCE Solutions

-  Global Sourcing Solution
-  Obsolete Management
-  Cost Control Management
-  Shortage Management
-  Alternative Solution
-  Excess Inventory Management