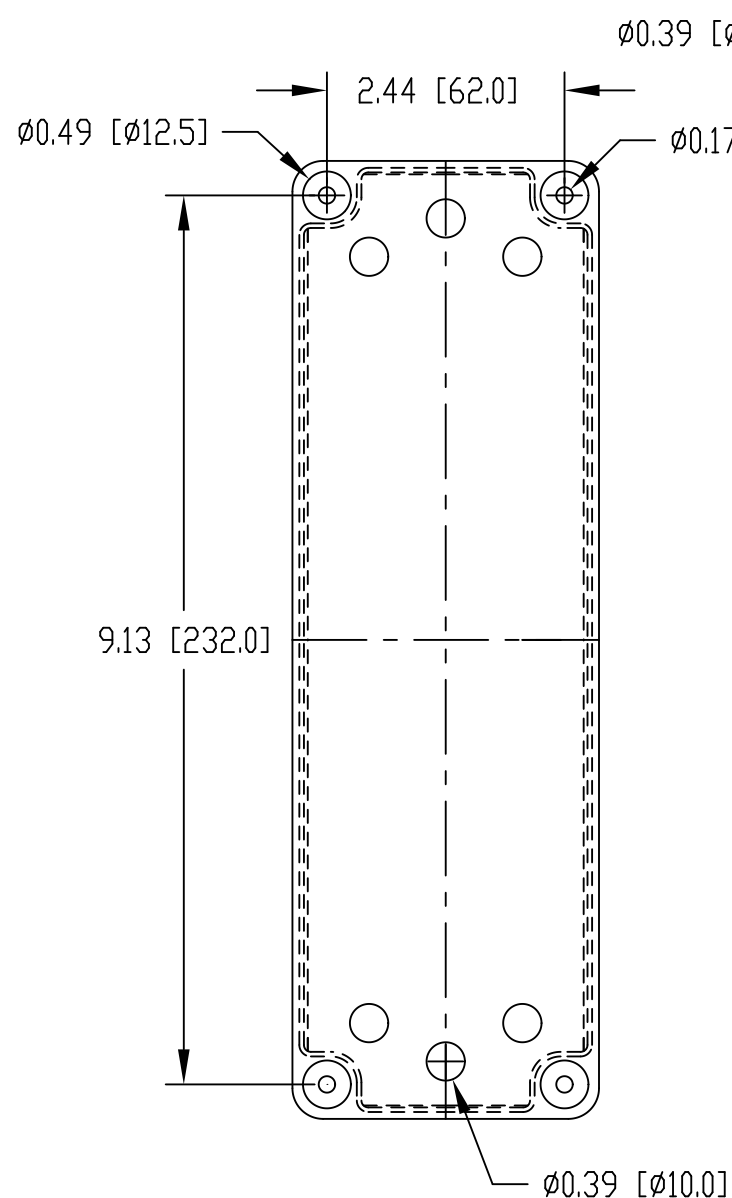


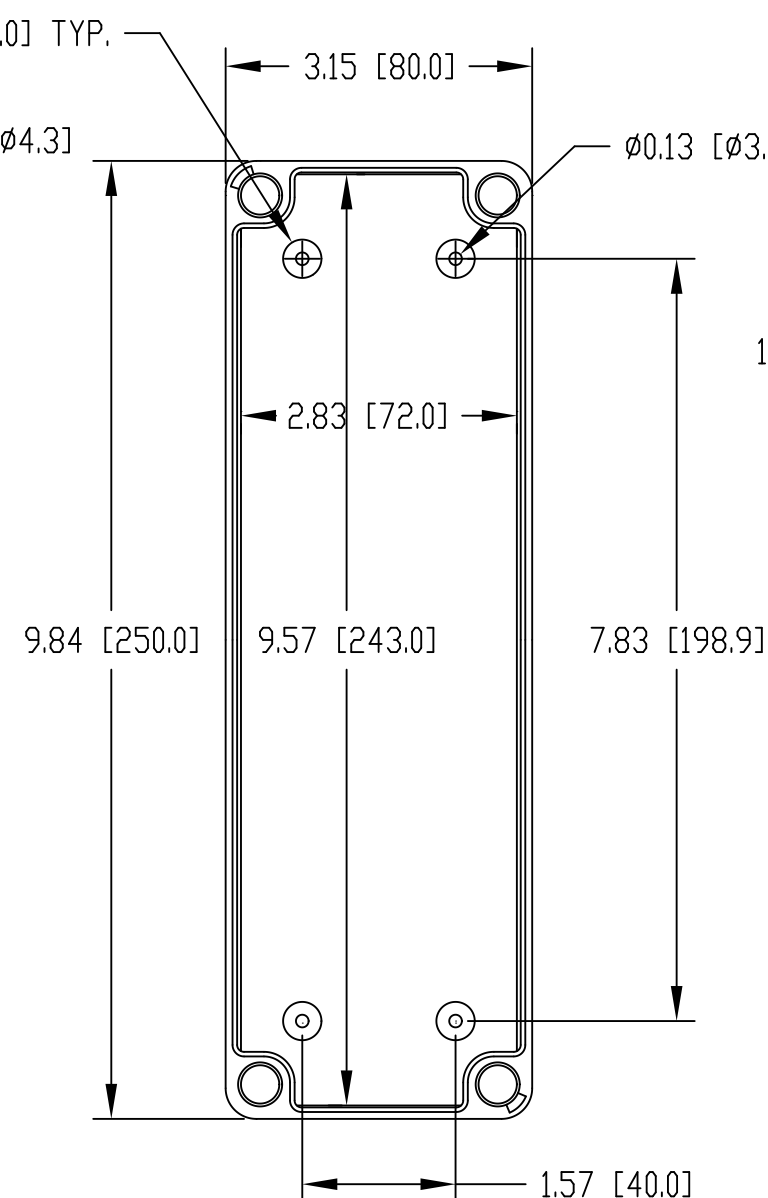


**THE DATASHEET OF
PBB-11821-4**

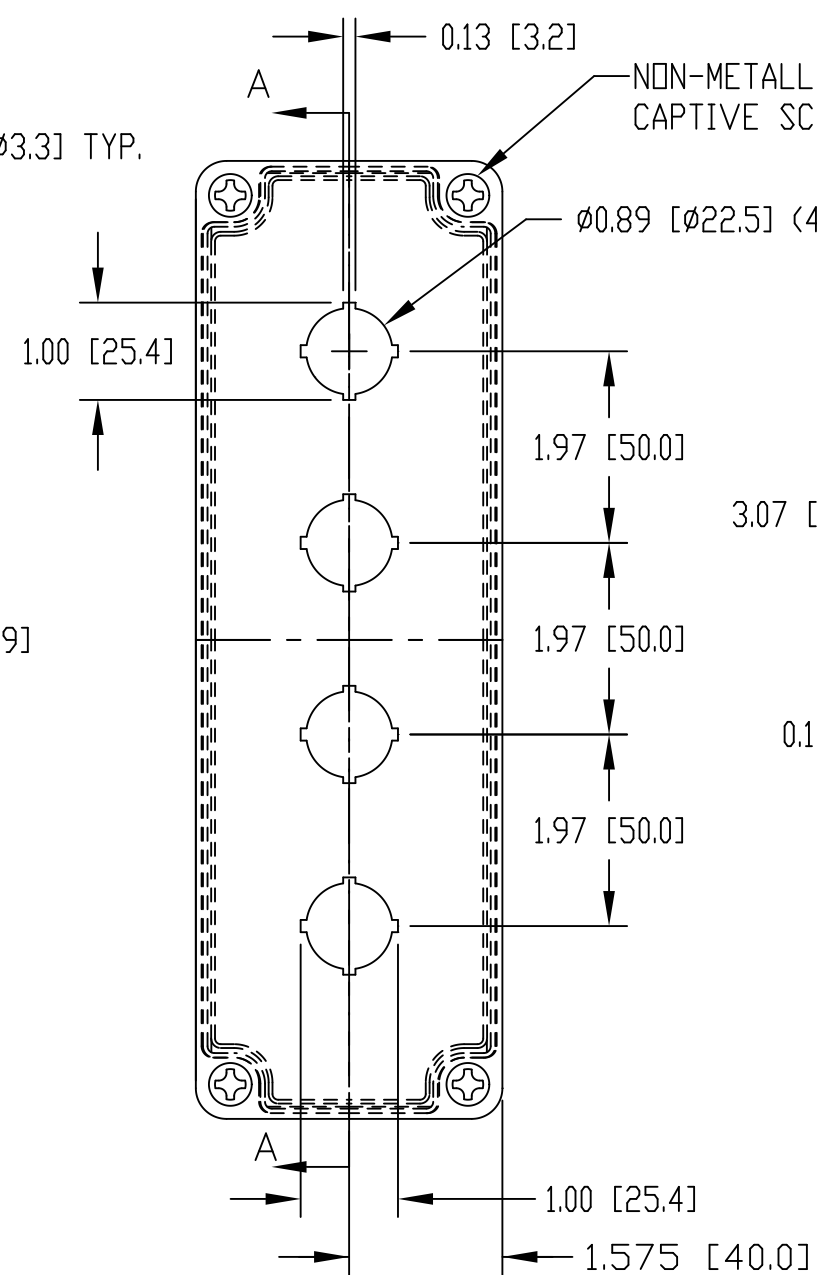




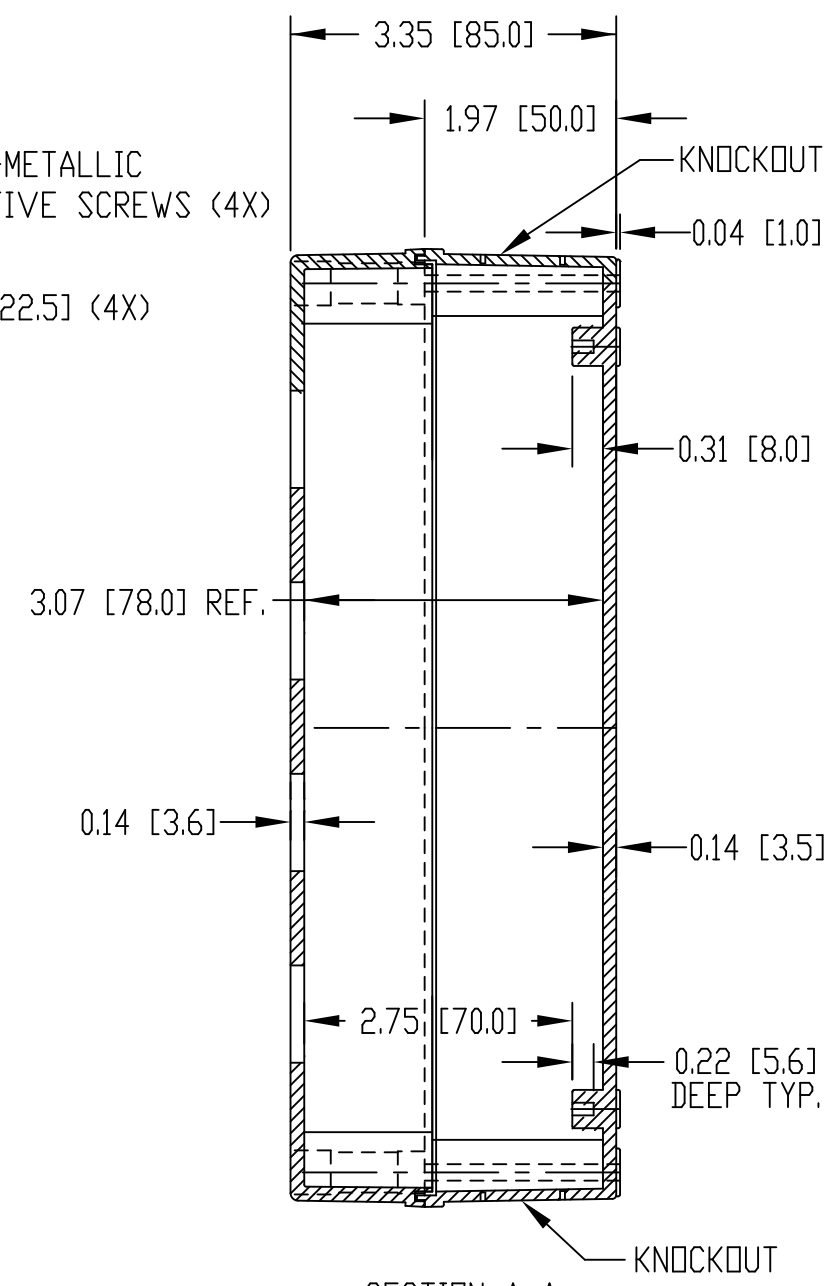
BOTTOM VIEW



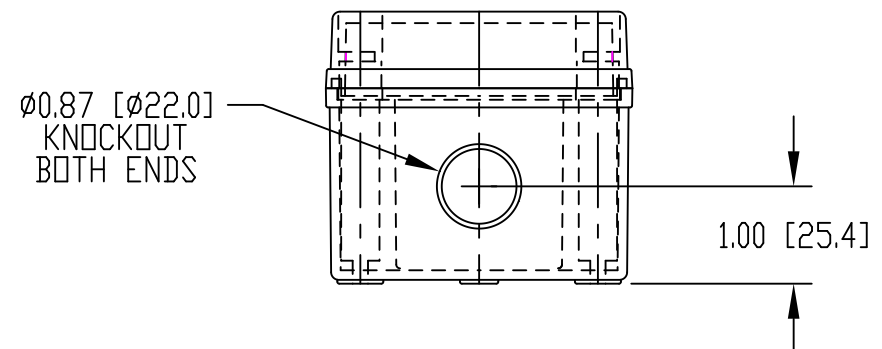
TOP VIEW WITH COVER REMOVED



TOP VIEW WITH COVER




SECTION A-A



- NOTES:
- 1- MATERIAL: BODY- GRAY POLYCARBONATE, 10% GLASS FIBER FILLED
COVER - GRAY POLYCARBONATE
 - 2- IP-67 TUV AND UL-94V0 RATING
 - 3- UL508/NEMA TYPE 4X AND TYPE 6 LISTED #E343339
 - 4- CONTINUOUS GASKET IN COVER
 - 5- FOUR NON-METALLIC CAPTIVE SCREWS PROVIDED
 - 6- ALL OTHER DIMENSIONS HAVE ±0.03[0.76] TOLERANCE UNLESS OTHERWISE SPECIFIED
 - 7- DIMENSIONS ARE INCH[MM]
- OPTIONAL ACCESSORIES:
MOUNTING BRACKET KIT (STAINLESS STEEL) - #NBX-10922
MOUNTING BRACKET KIT (PLASTIC) - #PIX-4117

Looking for pricing, stock, or lifecycle information?

Click below to explore more details on WIN SOURCE:

 [View PBB-11821-4 on WIN SOURCE](#)

 [Bud Industries](#) Information

Optimize Your Supply Chain with WIN SOURCE Solutions

-  Global Sourcing Solution
-  Obsolete Management
-  Cost Control Management
-  Shortage Management
-  Alternative Solution
-  Excess Inventory Management