



THE DATASHEET OF
6648222-1



4

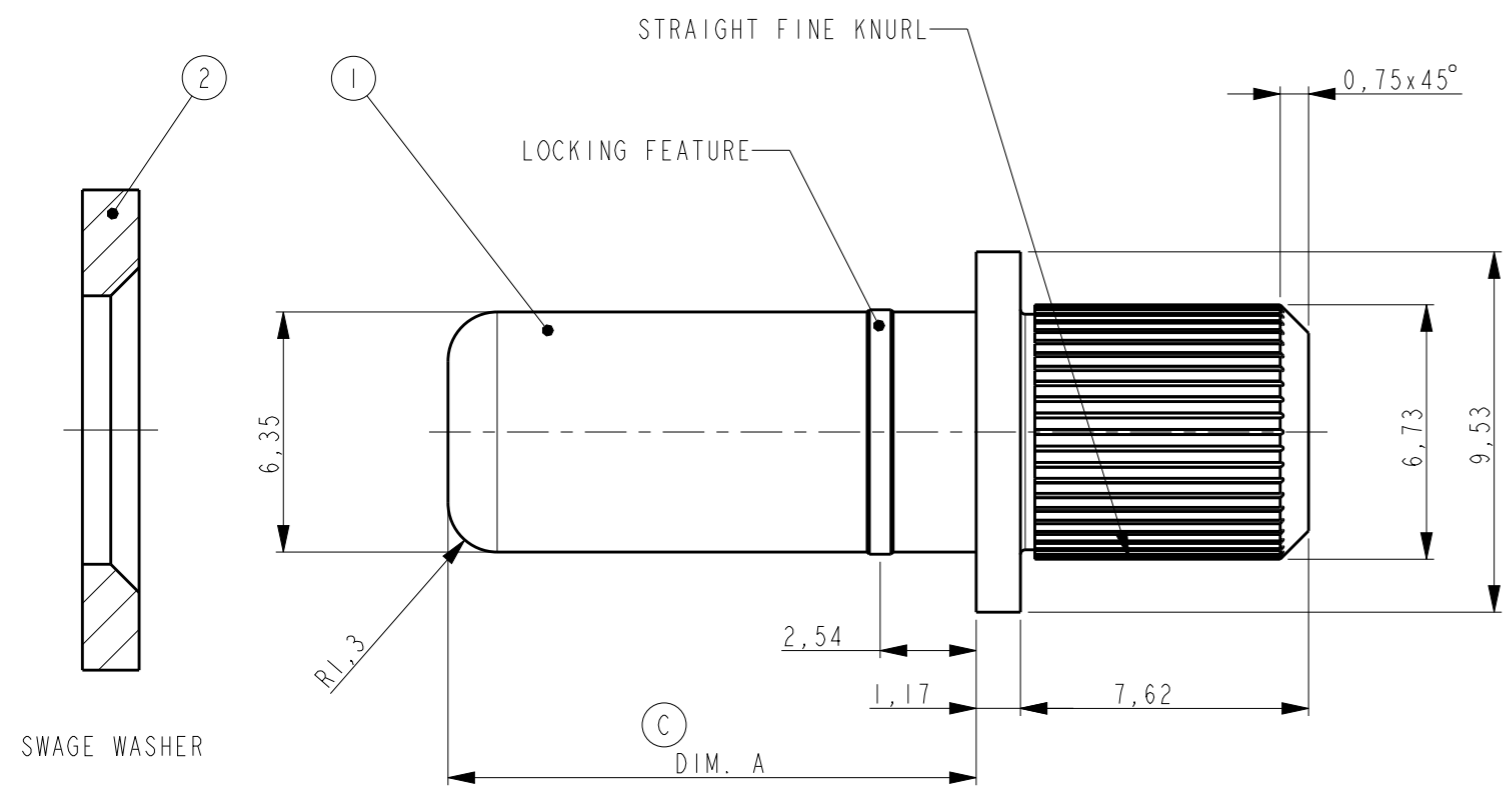
3

2

1

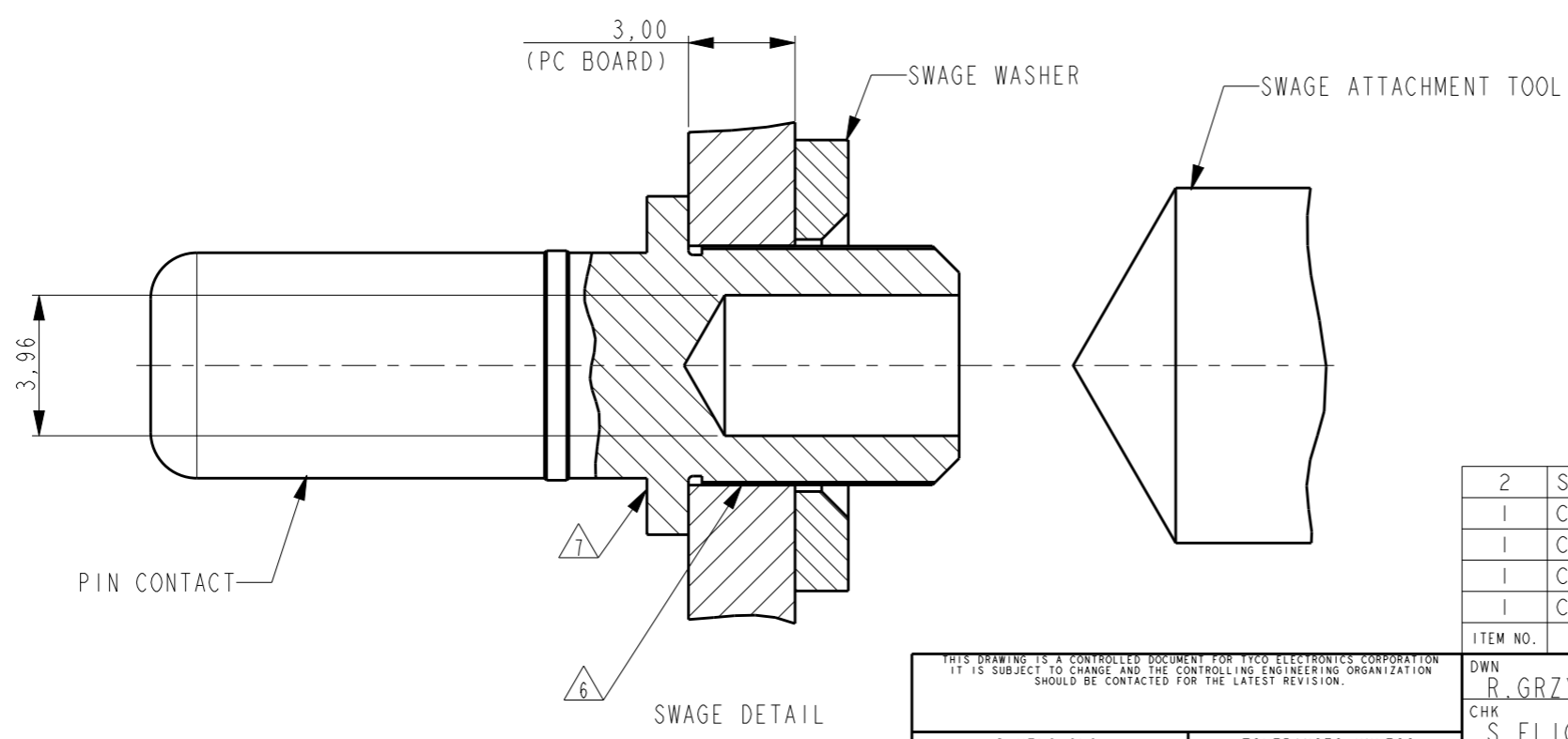
THIS DRAWING IS UNPUBLISHED. RELEASED FOR PUBLICATION
 © COPYRIGHT - BY TYCO ELECTRONICS CORPORATION. ALL RIGHTS RESERVED.

LOC	DIST	REVISIONS					
H	-	P	LTR	DESCRIPTION	DATE	DWN	APVD
			A	REVISED PER ECR-15-016813	24NOV2015	RS	SZ



NOTES:

- PART NUMBER CHANGES AND/OR DESIGN CHANGES AFFECTING ITEM INTERCHANGEABILITY REQUIRE PRIOR TYCO ELECTRONICS APPROVAL AND AUTHORIZATION BY REVISION TO THIS DRAWING.
- ITEMS PROVIDED TO THIS SPECIFICATION SHALL BE IDENTIFIED ON THE CONTAINER. WITH THE FOLLOWING INFORMATION: PART NUMBER&DATE CODE OF MANUFACTURE.
- MATERIAL:
 - PIN CONTACT : COPPER ALLOY
 - SWAGE WASHER : STEEL.
- FINISH; -PIN CONTACT: SILVER 5,0μ MIN THK. OVER NICKEL 1,0μ MIN. THK.
- FINISH; -PIN CONTACT: GOLD 0,5μ MIN THK. OVER NICKEL 1,0μ MIN. THK.
- RECOMMENDED HOLE DIAMETER AFTER PLATING: ø6,60 +0,07 / -0,03
- RETAIN PIN CONTACT WITH SUPPORT TOOL BEFORE SWAGE OPERATION.



ITEM NO.	DESCRIPTION	MATERIAL	DIM. A	FINISH	QUANTITY
2	SWAGE WASHER 1,5MM THICK	STEEL			1
1	CONTACT PIN SIZE #4	COPPER ALLOY	11.68	5	1
1	CONTACT PIN SIZE #4	COPPER ALLOY	11.68	4	1
1	CONTACT PIN SIZE #4	COPPER ALLOY	13.97	5	1
1	CONTACT PIN SIZE #4	COPPER ALLOY	13.97	4	1

THIS DRAWING IS A CONTROLLED DOCUMENT FOR TYCO ELECTRONICS CORPORATION
 IT IS SUBJECT TO CHANGE AND THE CONTROLLING ENGINEERING ORGANIZATION
 SHOULD BE CONTACTED FOR THE LATEST REVISION.

DIMENSIONS:	TOLERANCES UNLESS OTHERWISE SPECIFIED:
mm	
0 PLC	±-
1 PLC	±-
2 PLC	±-
3 PLC	±-
4 PLC	±-
ANGLES	±-
MATERIAL	FINISH

DWN R. GRZYBOWSKI 04APR2008	Tyco Electronics Corporation 's-Hertogenbosch, Nederland	
CHK S. FLICKINGER 03APR06	NAME PIN CONTACT, SIZE NO.4 SWAGE MOUNT LOCKING STYLE, PRESS FIT	
APVD S. FLICKINGER 03APR06	PRODUCT SPEC -	APPLICATION SPEC -
WEIGHT -	SIZE A3	CAGE CODE 00779
CUSTOMER DRAWING	DRAWING NO G-6648222	RESTRICTED TO -
SCALE	SHEET	OF
REV	C	

Looking for pricing, stock, or lifecycle information?

Click below to explore more details on WIN SOURCE:

 [View 6648222-1 on WIN SOURCE](#)

 [TE Connectivity](#) Information

Optimize Your Supply Chain with WIN SOURCE Solutions

-  Global Sourcing Solution
-  Obsolete Management
-  Cost Control Management
-  Shortage Management
-  Alternative Solution
-  Excess Inventory Management